



US00D931270S

(12) **United States Design Patent**
Qiu

(10) **Patent No.:** **US D931,270 S**

(45) **Date of Patent:** **** Sep. 21, 2021**

(54) **PHONE HOLDER**

(71) Applicant: **Shenzhen GUB Bike Trading Co., Ltd.**, Shenzhen (CN)

(72) Inventor: **Yaofeng Qiu**, Shenzhen (CN)

(73) Assignee: **SHENZHEN GUB BIKE TRADING CO., LTD.**, Shenzhen (CN)

(**) Term: **15 Years**

(21) Appl. No.: **29/761,913**

(22) Filed: **Dec. 14, 2020**

(51) **LOC (13) Cl.** **14-03**

(52) **U.S. Cl.**
USPC **D14/253**

(58) **Field of Classification Search**
USPC D14/251–253, 440, 447, 217; D12/415
CPC B60R 11/0252; B60R 2011/0071; H04B
1/3877; H04M 1/04

See application file for complete search history.

(56) **References Cited**

U.S. PATENT DOCUMENTS

D685,379 S *	7/2013	Richter	D14/447
D750,612 S *	3/2016	Chen	D14/253
D752,571 S *	3/2016	Richter	D14/253
D784,923 S *	4/2017	Song	D13/108
D818,421 S	5/2018	Hu		
D833,369 S *	11/2018	Lan	D12/415
D854,537 S *	7/2019	Ackeret	D14/253
D875,090 S *	2/2020	Leeds-Frank	D14/253
D879,090 S *	3/2020	Chung	D14/253
D879,766 S *	3/2020	Fan	D14/253
D889,454 S *	7/2020	Liu	D14/253
D890,740 S *	7/2020	Khubani	D14/253

D892,787 S *	8/2020	Chen	D14/253
D894,168 S *	8/2020	Lou	D14/253
D894,829 S *	9/2020	Zhang	D13/108
D896,177 S *	9/2020	Zheng	D13/108
D897,333 S *	9/2020	Liao	D14/253
D897,334 S *	9/2020	Peng	D14/253
D898,730 S	10/2020	Comelek		
D903,652 S *	12/2020	Qiu	D14/253
D903,653 S	12/2020	Liu		
2007/0284500 A1 *	12/2007	Fan	H04M 1/04 248/346.06
2010/0295228 A1 *	11/2010	Woody	B60R 11/0258 269/254 R
2012/0267406 A1 *	10/2012	Fan	B60R 11/02 224/482

* cited by examiner

Primary Examiner — Janice Hallmark

(57) **CLAIM**

The ornamental design for a phone holder, as shown and described.

DESCRIPTION

FIG. 1 is a perspective view of a phone holder showing my new design;

FIG. 2 is another perspective view thereof;

FIG. 3 is a front elevational view thereof;

FIG. 4 is a rear elevational view thereof;

FIG. 5 is a left side elevational view thereof;

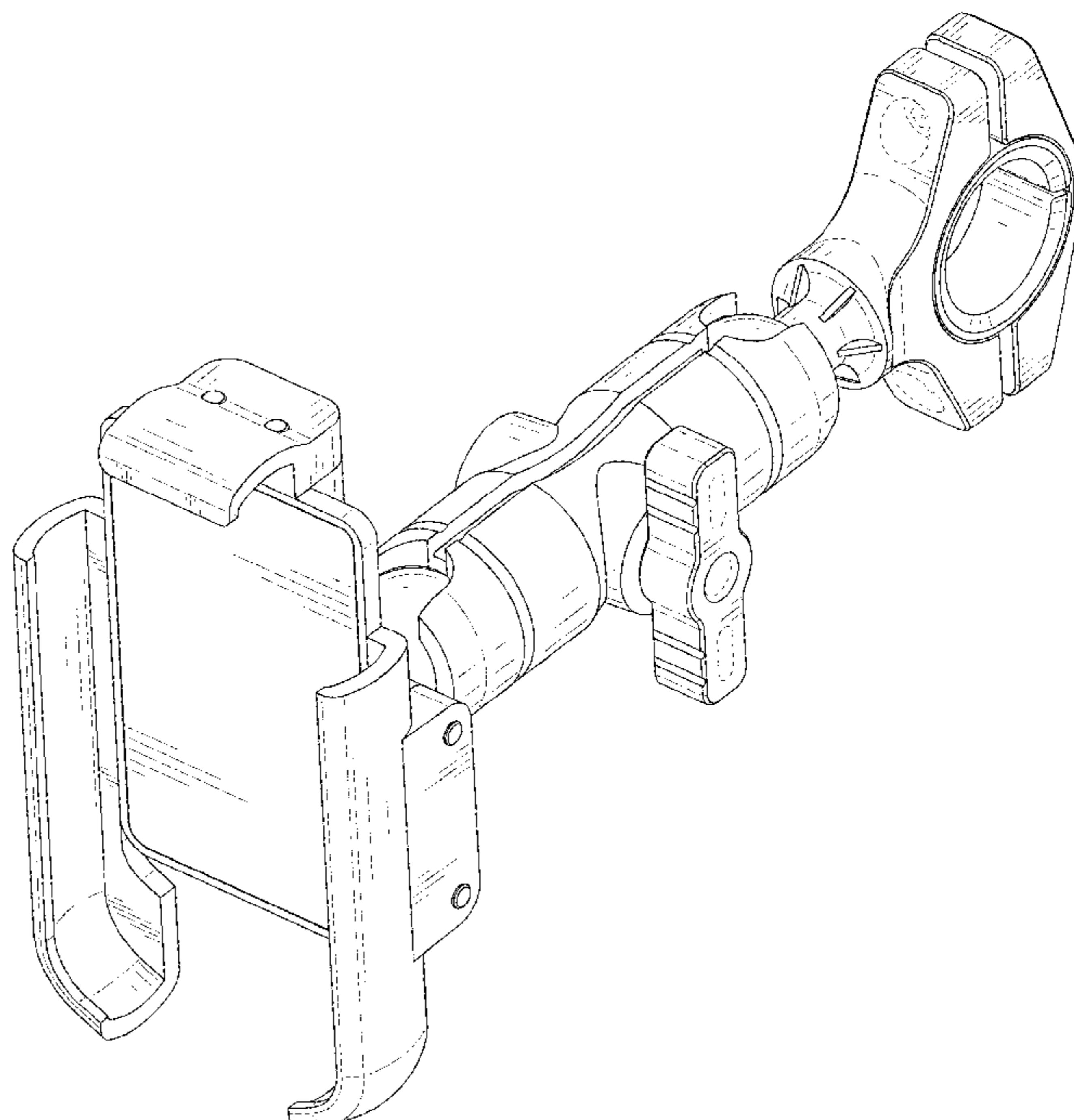
FIG. 6 is a right side elevational view thereof;

FIG. 7 is a top plan view thereof; and,

FIG. 8 is a bottom plan view thereof.

The broken lines in the drawings are for the purpose of illustrating portions of the phone holder that form no part of the claimed design.

1 Claim, 8 Drawing Sheets



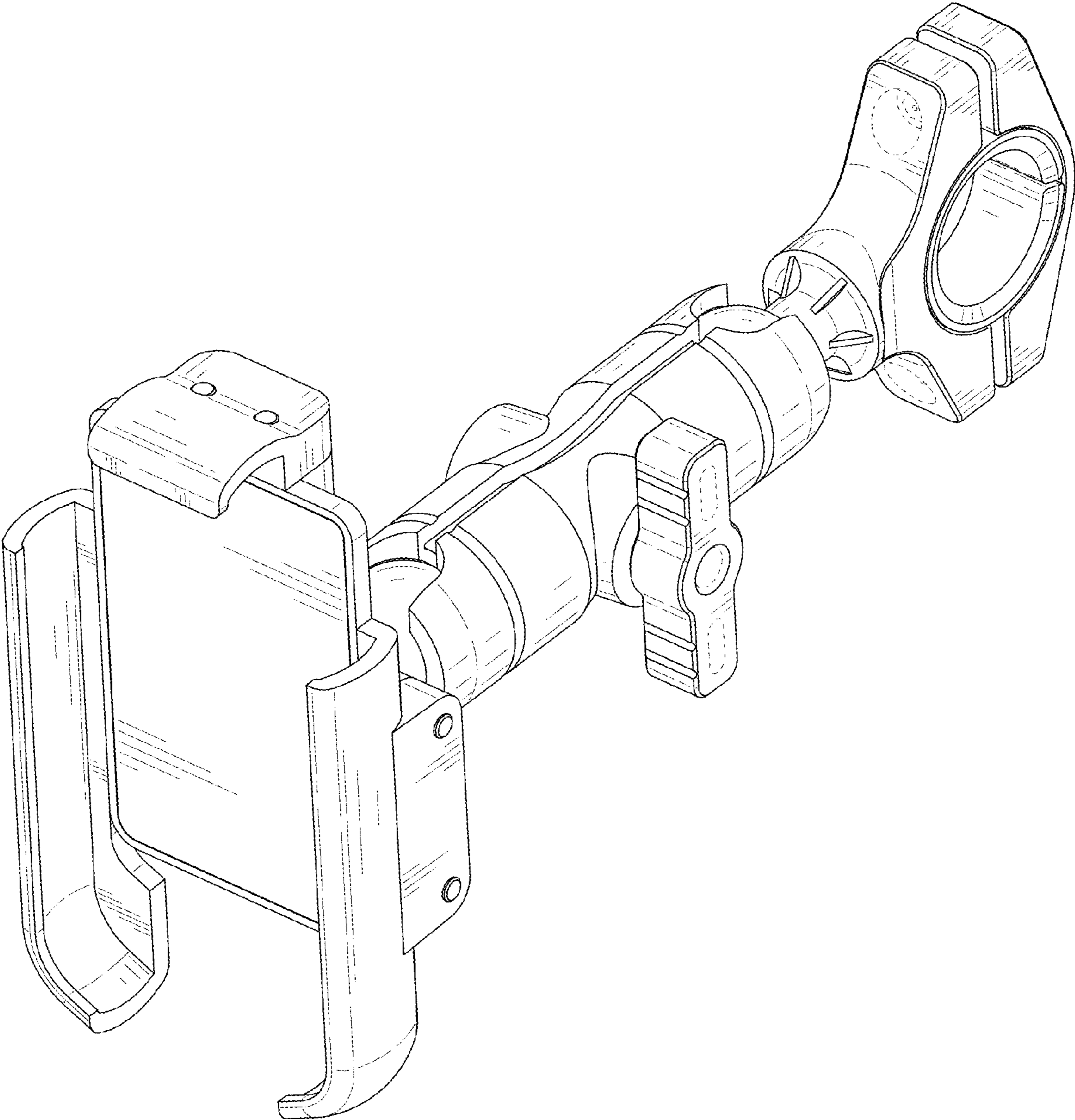


FIG. 1

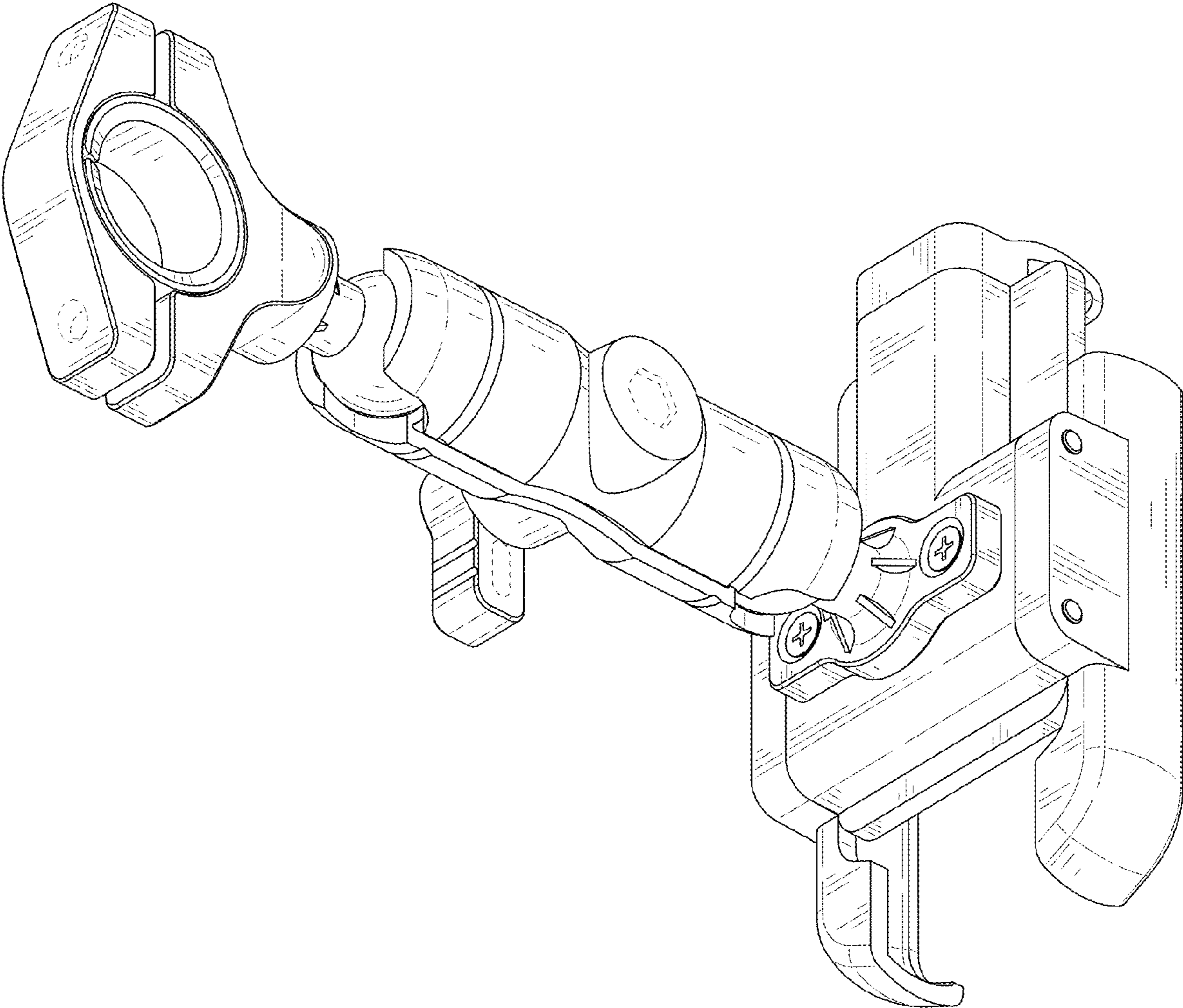


FIG. 2

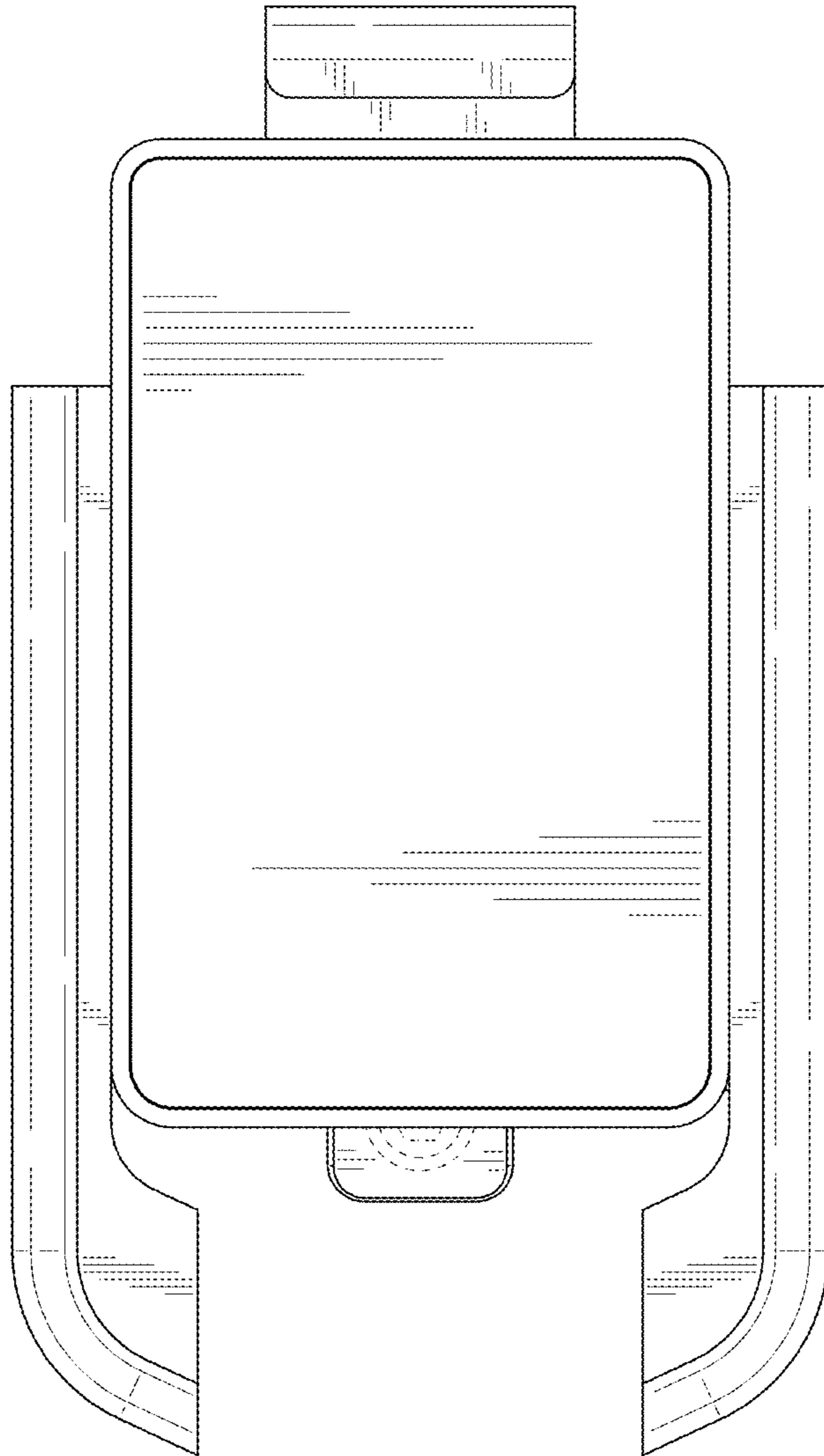


FIG. 3

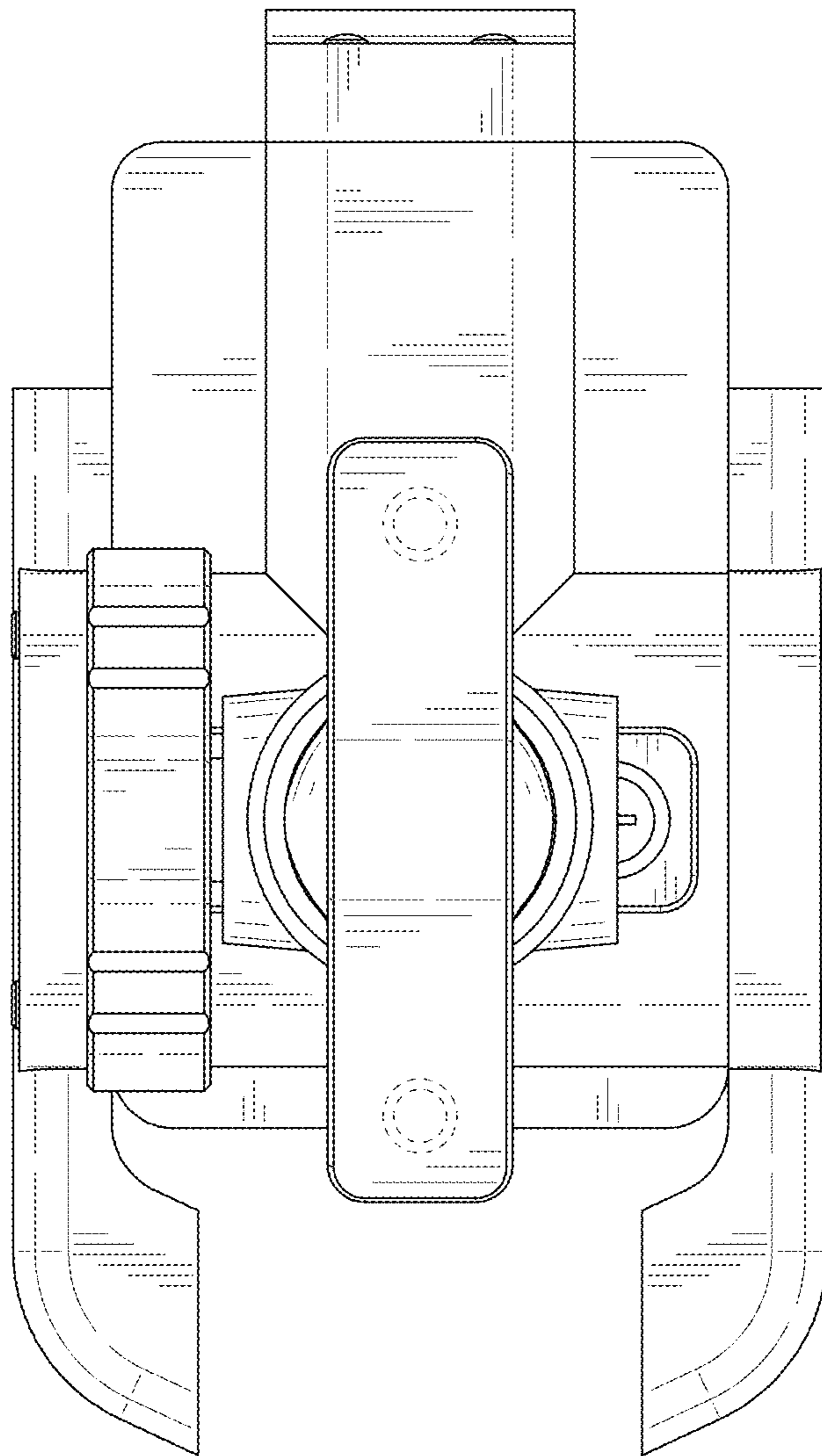


FIG. 4

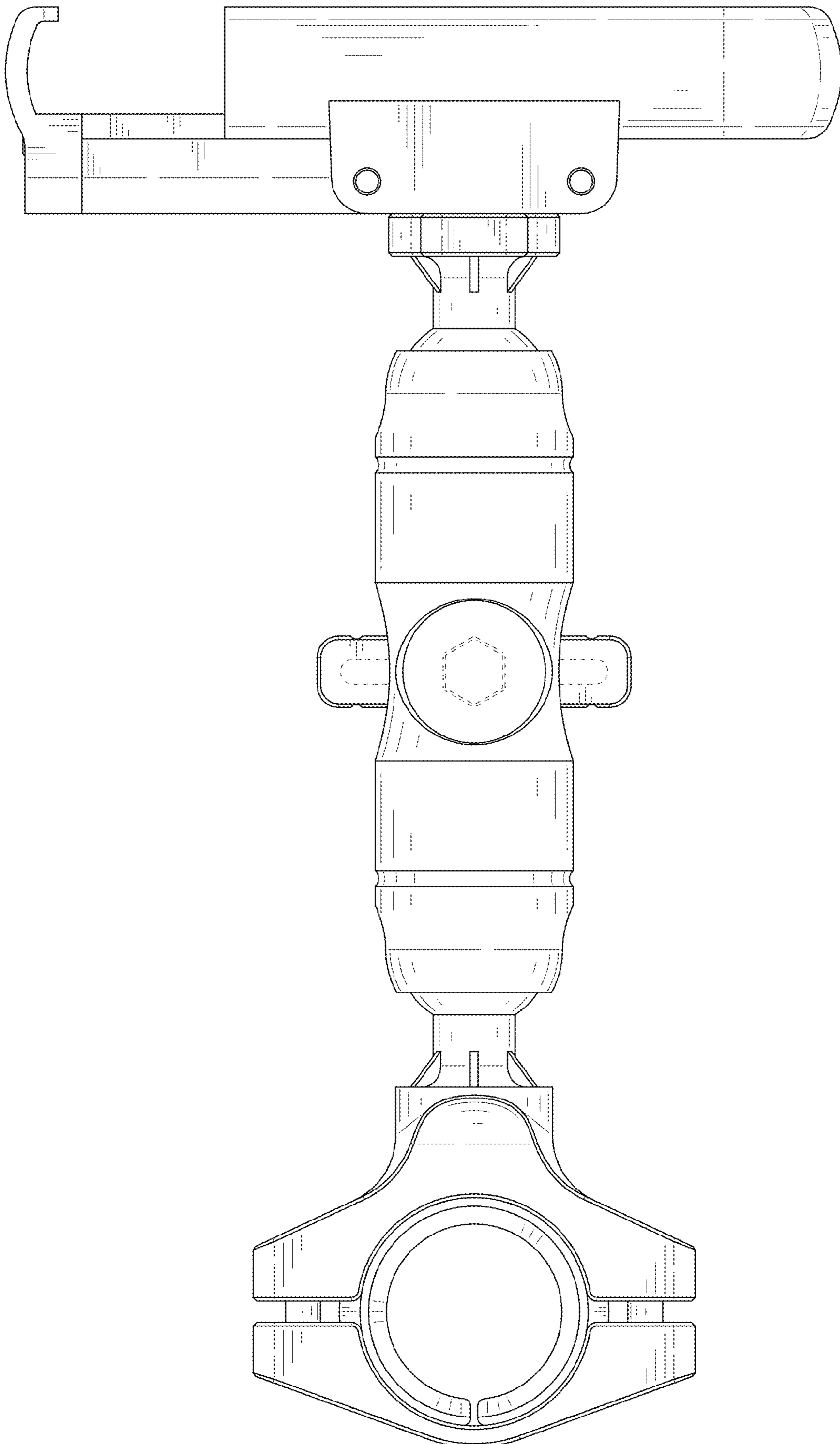


FIG. 5

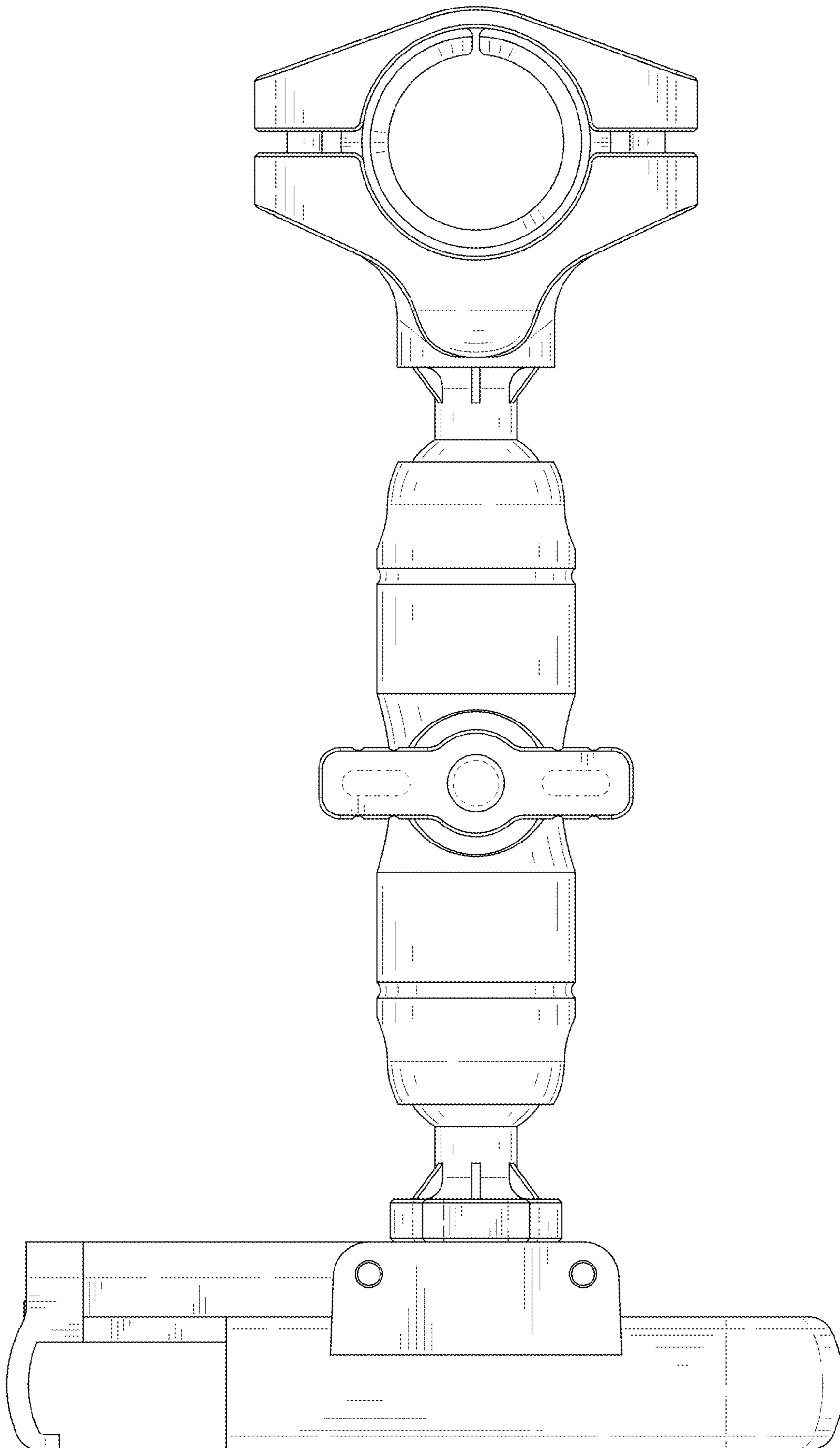


FIG. 6

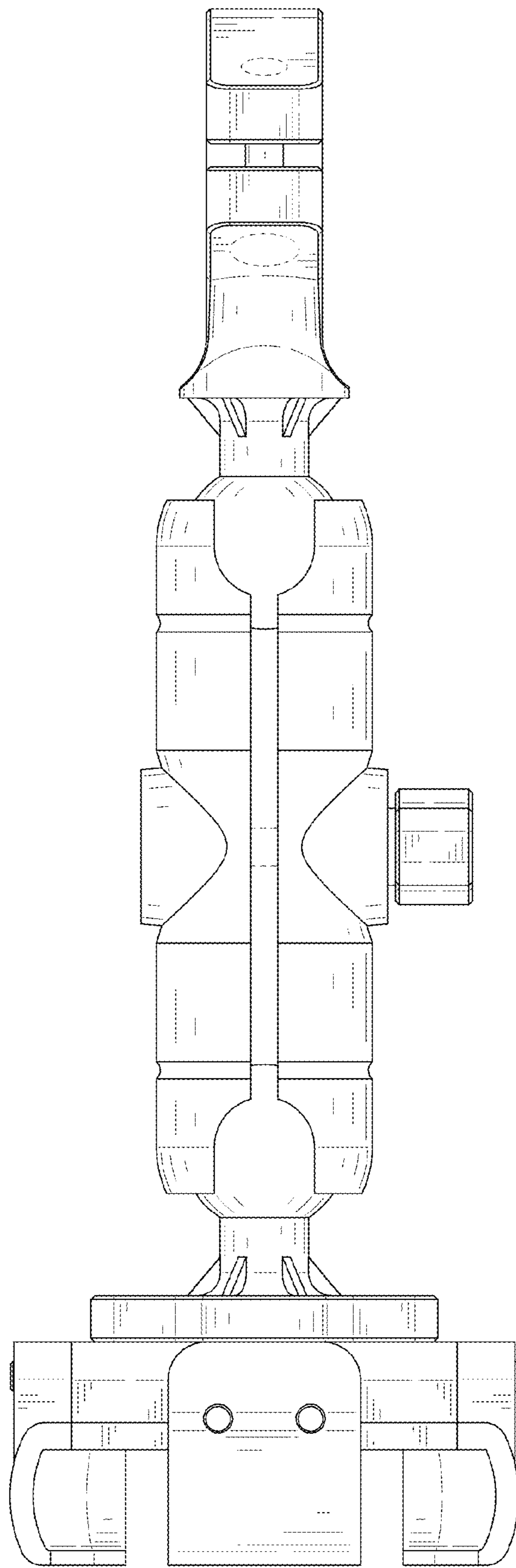


FIG. 7

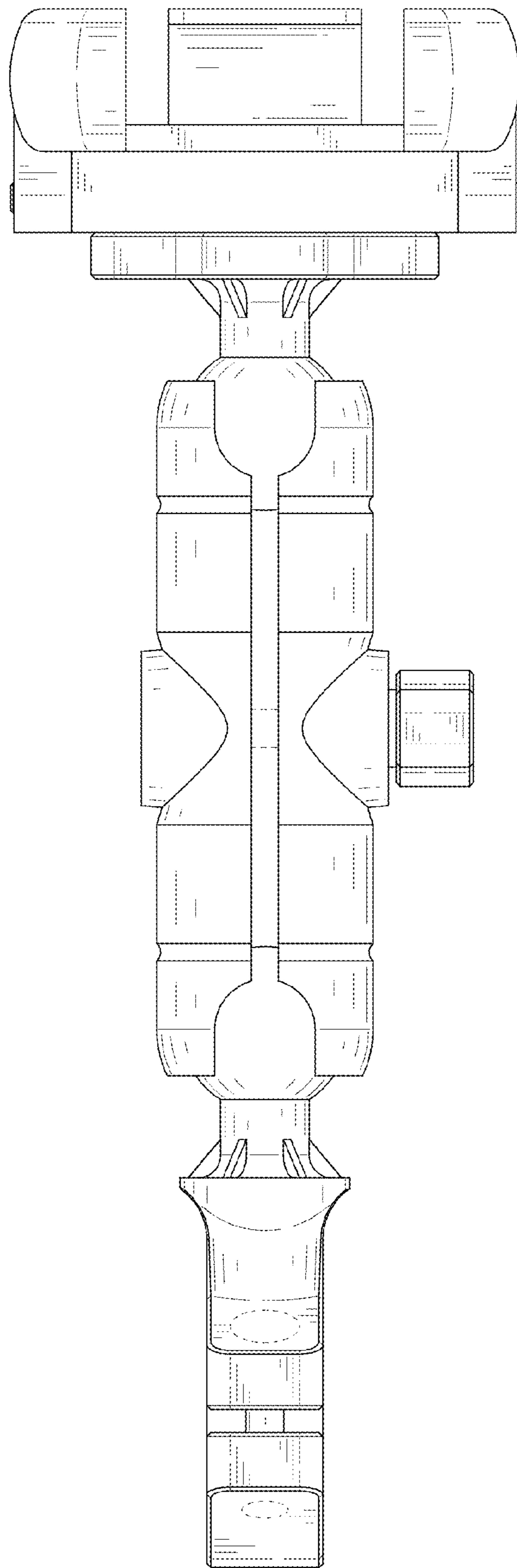


FIG. 8