



US00D931269S

(12) **United States Design Patent**  
**Lee**

(10) **Patent No.:** **US D931,269 S**

(45) **Date of Patent:** **\*\* Sep. 21, 2021**

(54) **CELL PHONE CASE**

(71) Applicant: **Young Lee**, Deltona, FL (US)

(72) Inventor: **Young Lee**, Deltona, FL (US)

(\*\*) Term: **15 Years**

(21) Appl. No.: **29/735,932**

(22) Filed: **May 26, 2020**

(51) **LOC (13) Cl.** ..... **14-03**

(52) **U.S. Cl.**  
USPC ..... **D14/250**

(58) **Field of Classification Search**  
USPC ..... D14/203.3–203.7, 439, 251–253, 447,  
D14/217, 240, 238.1, 250, 440, 248;  
D13/107–108, 103, 119; D3/201, 218,  
D3/247, 249, 269, 273, 301, 303  
CPC . H04B 1/3888; A45C 13/02; A45C 2011/002;  
A45C 1/06; A45C 11/00; A45F 2005/026;  
A45F 2200/0525; A45F 2200/0516;  
H04M 1/0283; H04M 1/0202  
See application file for complete search history.

(56) **References Cited**

**U.S. PATENT DOCUMENTS**

D437,111	S	*	2/2001	Bergh	.....	D3/218
D467,069	S	*	12/2002	TenHoeve	.....	D3/218
D518,950	S	*	4/2006	Condiff	.....	D3/218
D524,543	S	*	7/2006	Toler	.....	D3/318
D679,693	S	*	4/2013	Rashid	.....	D14/250
D691,991	S	*	10/2013	Mohan	.....	D14/250
D693,580	S	*	11/2013	Baker	.....	D3/328
D716,044	S	*	10/2014	Wilk	.....	D3/247
D717,538	S	*	11/2014	Bransfield	.....	D3/218
D751,284	S	*	3/2016	Kishimoto	.....	D3/218
D758,724	S	*	6/2016	Guest	.....	D3/247
D773,803	S	*	12/2016	Larsen	.....	D3/218
D782,185	S	*	3/2017	Lederer	.....	D3/218
D795,235	S	*	8/2017	Haymond	.....	D14/250

D814,183	S	*	4/2018	Haarburger	.....	D3/247
D819,008	S	*	5/2018	Satzger	.....	D14/250
D821,743	S	*	7/2018	Cao	.....	D3/218
D843,108	S	*	3/2019	Munson	.....	D3/218
D856,321	S	*	8/2019	Khalsa	.....	D14/253
D860,640	S	*	9/2019	Xu	.....	D3/218
D861,333	S	*	10/2019	Feng	.....	D3/218
D861,334	S	*	10/2019	Feng	.....	D3/218
10,512,316	B2	*	12/2019	Haarburger	.....	A45C 15/00
D871,754	S	*	1/2020	Feng	.....	D3/218
D871,755	S	*	1/2020	Park	.....	D3/218

(Continued)

*Primary Examiner* — Carla J Wright

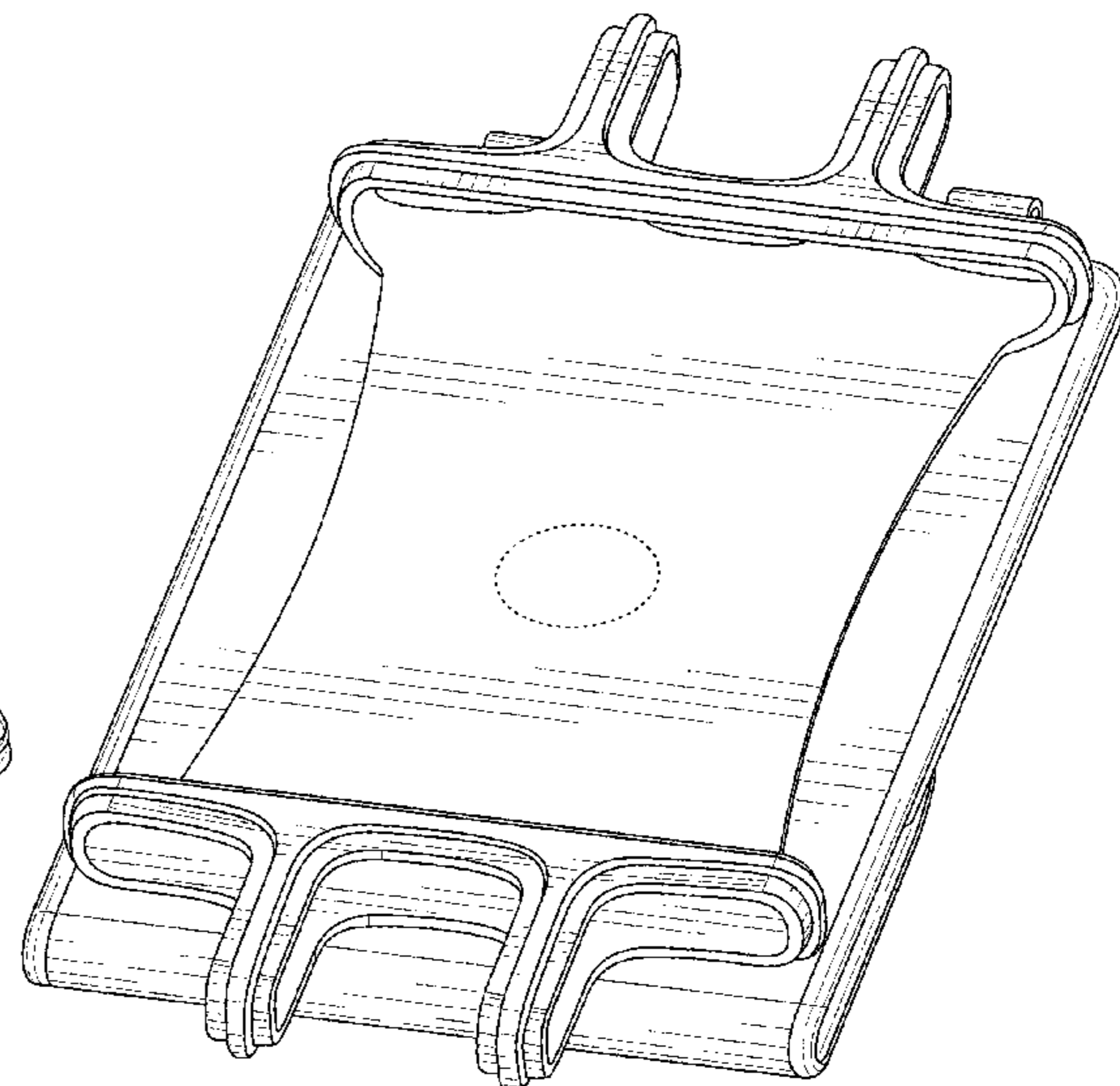
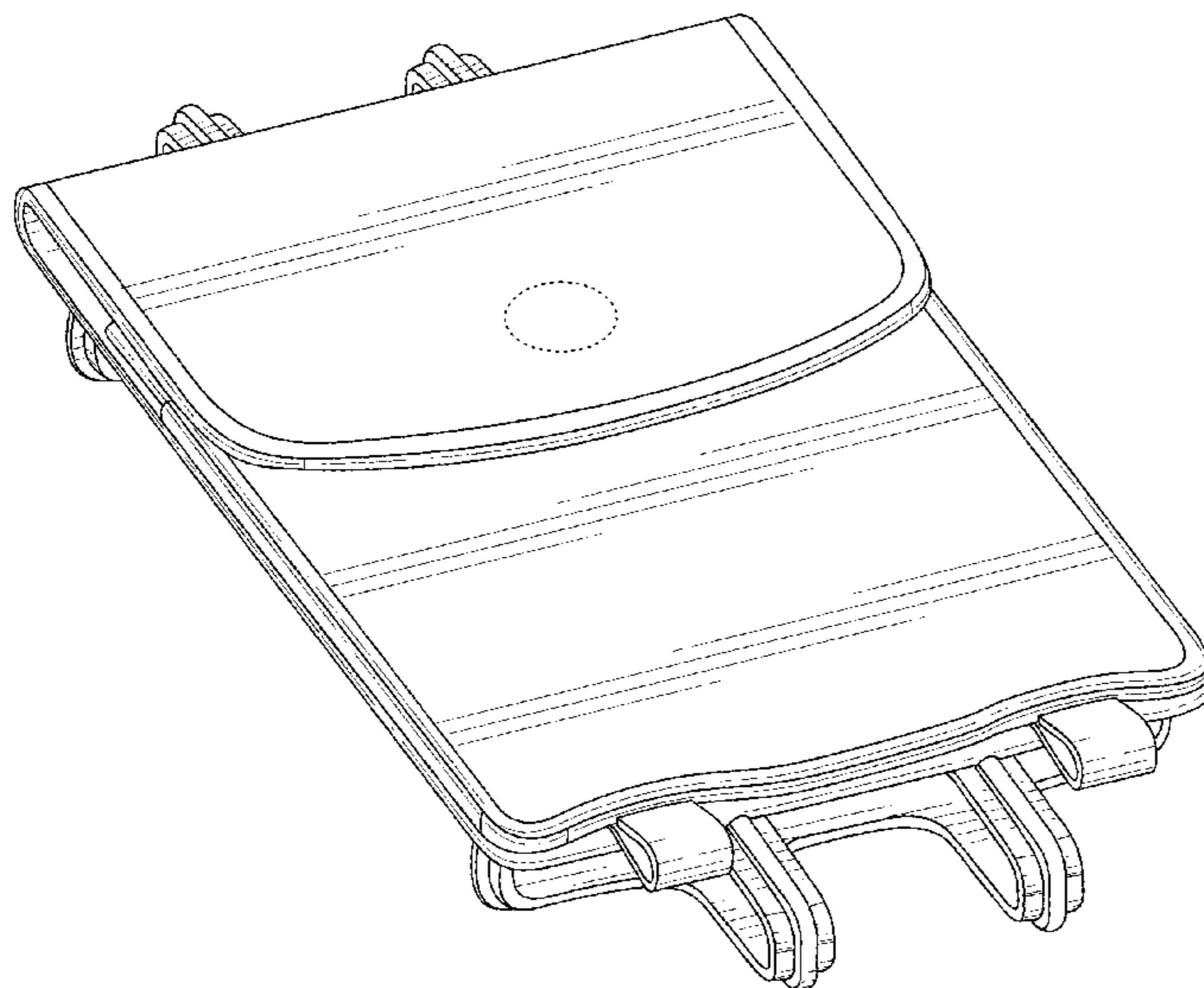
(57) **CLAIM**

The ornamental design for a cell phone case, as shown and described.

**DESCRIPTION**

FIG. 1 is a top perspective view of a cell phone case showing my new design;  
 FIG. 2 is a bottom perspective view thereof;  
 FIG. 3 is a front elevational view thereof;  
 FIG. 4 is a rear elevational view thereof;  
 FIG. 5 is a top plan view thereof;  
 FIG. 6 is a bottom plan view thereof;  
 FIG. 7 is a right-side elevational view thereof;  
 FIG. 8 is a left-side elevational view thereof;  
 FIG. 9 is a top perspective view thereof, showing the cell phone case with an attached environmental cell phone; and,  
 FIG. 10 is a bottom perspective view thereof, showing the cell phone case with the attached environmental cell phone.  
 The broken lines showing of a snap fastener in FIGS. 1, 3-5, and 7-9, the broken lines showing of a case connector in FIGS. 2-4 and 6-8, and the broken lines showing of a cell phone in FIG. 9-10 are included for the purpose of showing environmental structure that forms no part of the claimed design.

**1 Claim, 10 Drawing Sheets**



(56)

**References Cited**

U.S. PATENT DOCUMENTS

D879,763	S *	3/2020	Park	.....	D14/250
D881,868	S *	4/2020	Zhang	.....	D14/253
D889,819	S *	7/2020	Feng	.....	D3/201
D892,491	S *	8/2020	Feng	.....	D3/201
D909,059	S *	2/2021	Leh	.....	D3/247
2014/0259538	A1 *	9/2014	Bransfield	.....	A45F 5/02 24/3.13
2015/0249730	A1 *	9/2015	Larsen	.....	H04M 1/05 29/428
2015/0288406	A1 *	10/2015	Haymond	.....	A45C 13/30 455/575.6
2016/0281919	A1 *	9/2016	Kofler	.....	F16M 13/022
2017/0120980	A1 *	5/2017	Karl	.....	B62J 45/10

\* cited by examiner

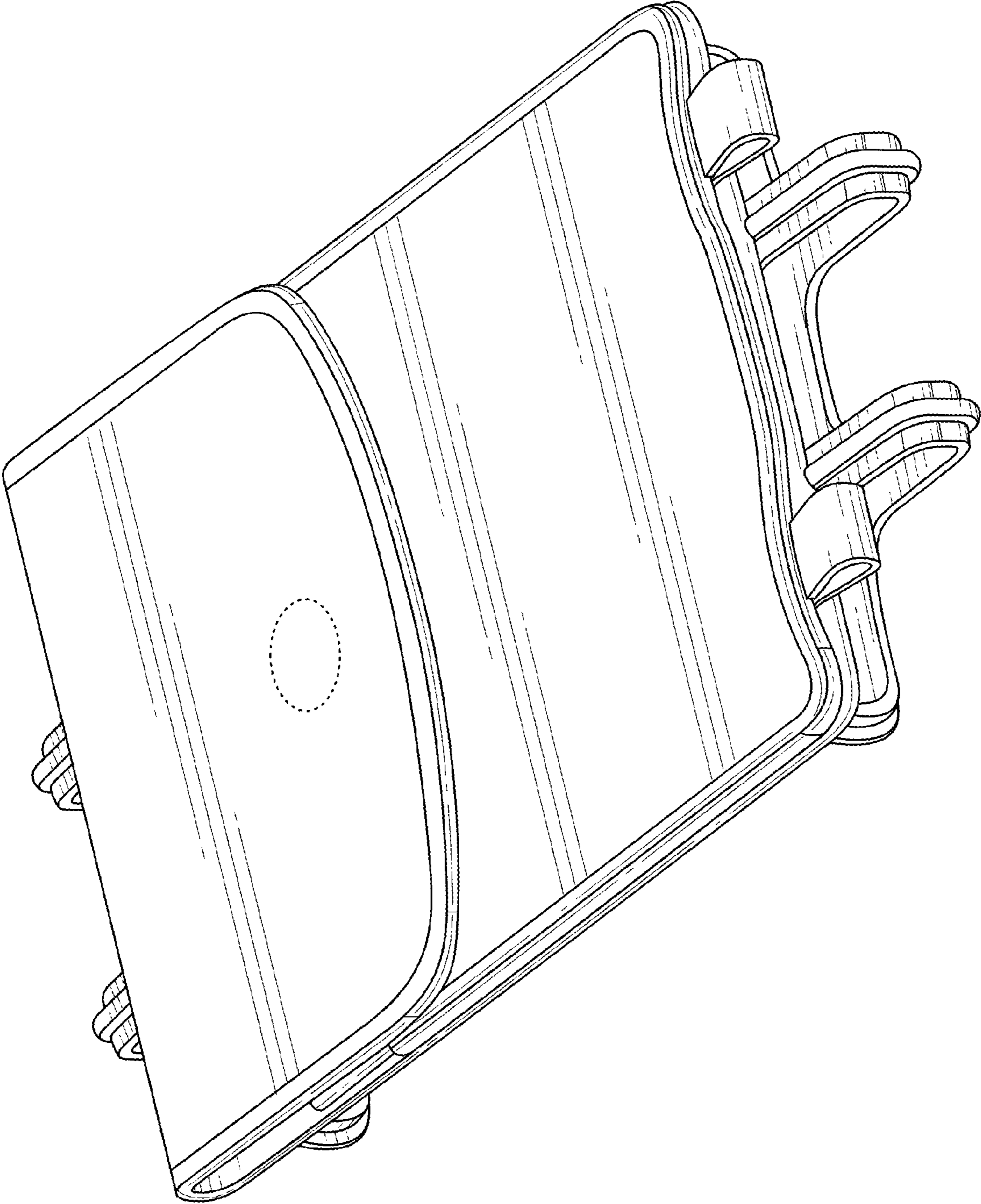


FIG. 1

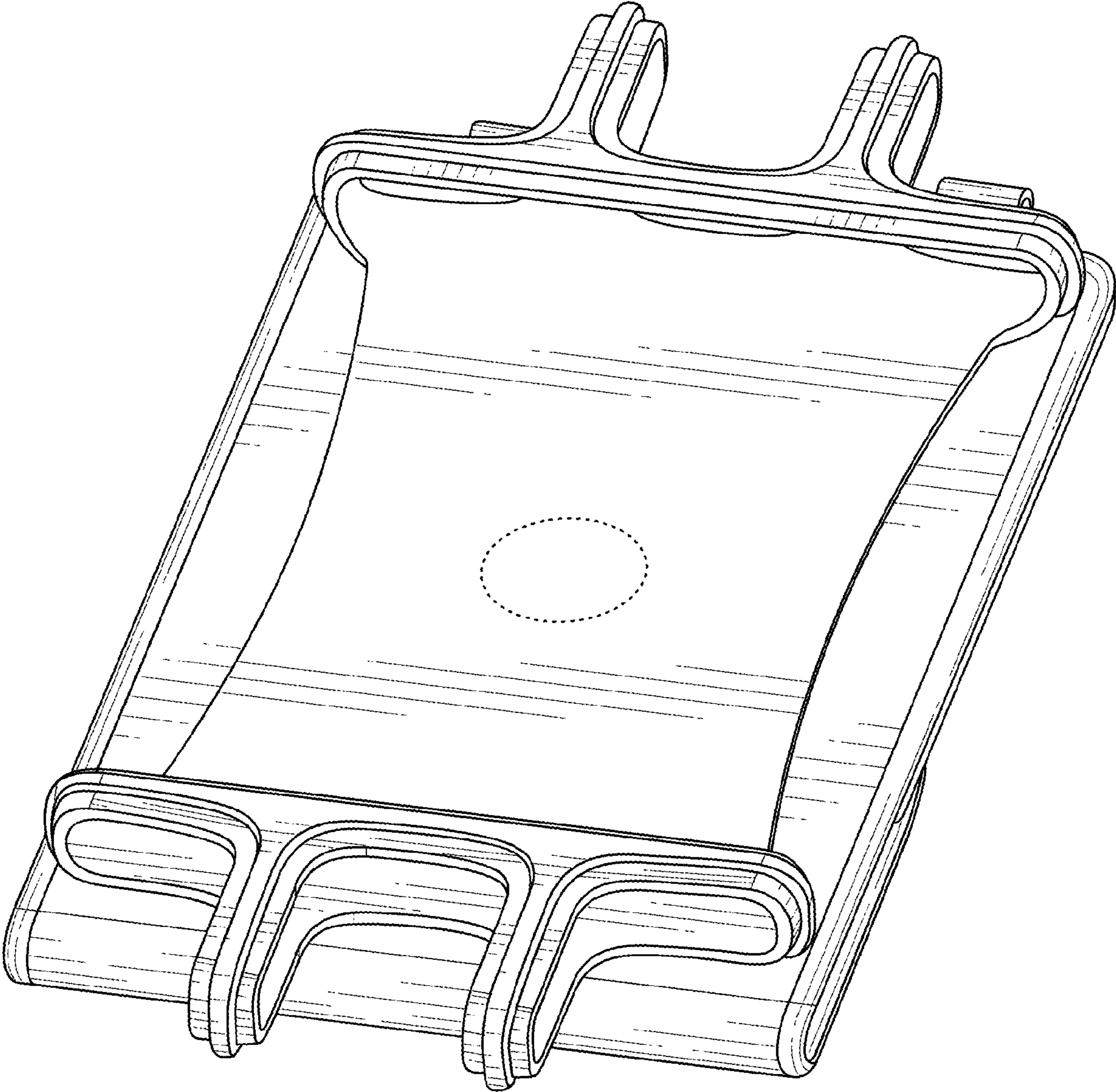


FIG. 2

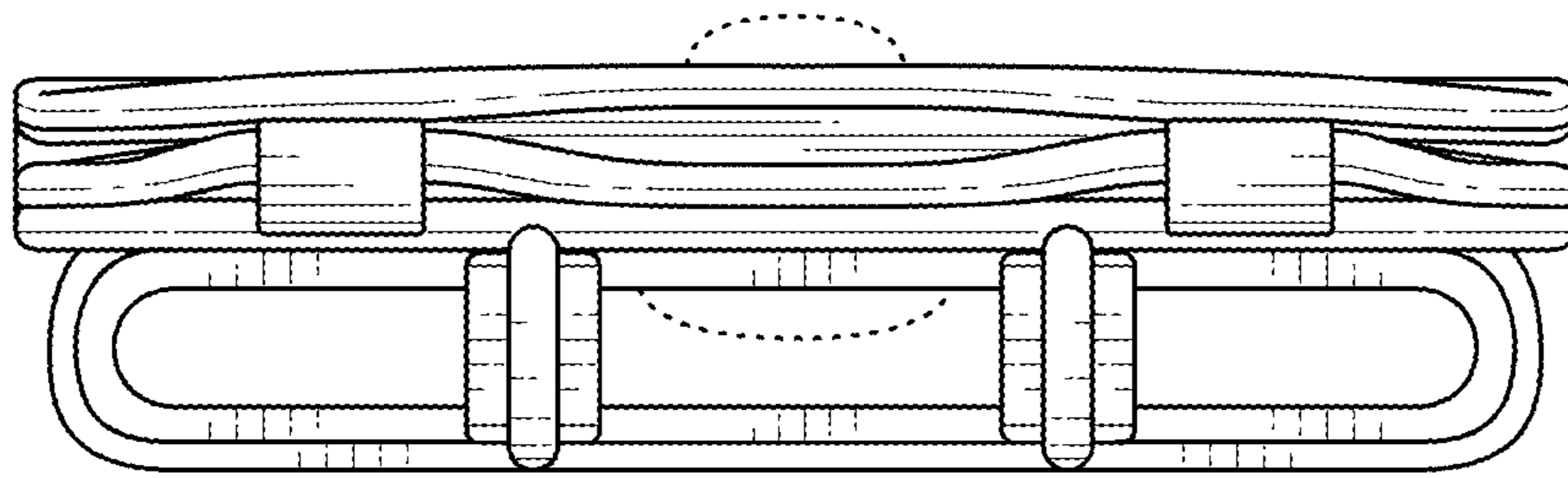


FIG. 3

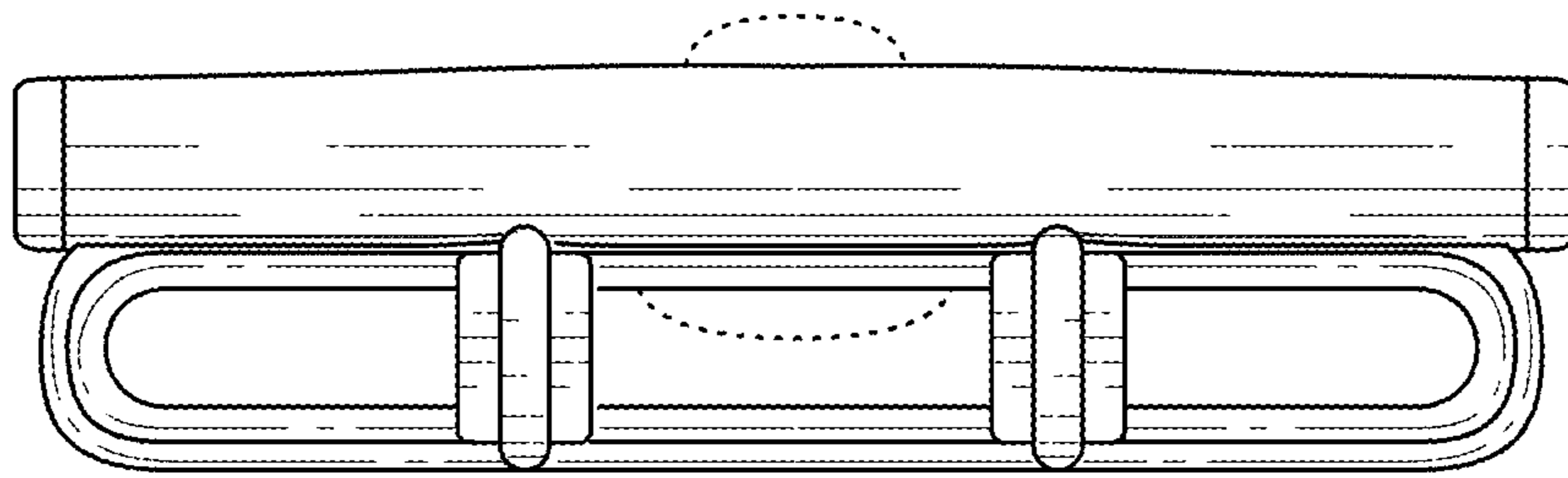


FIG. 4

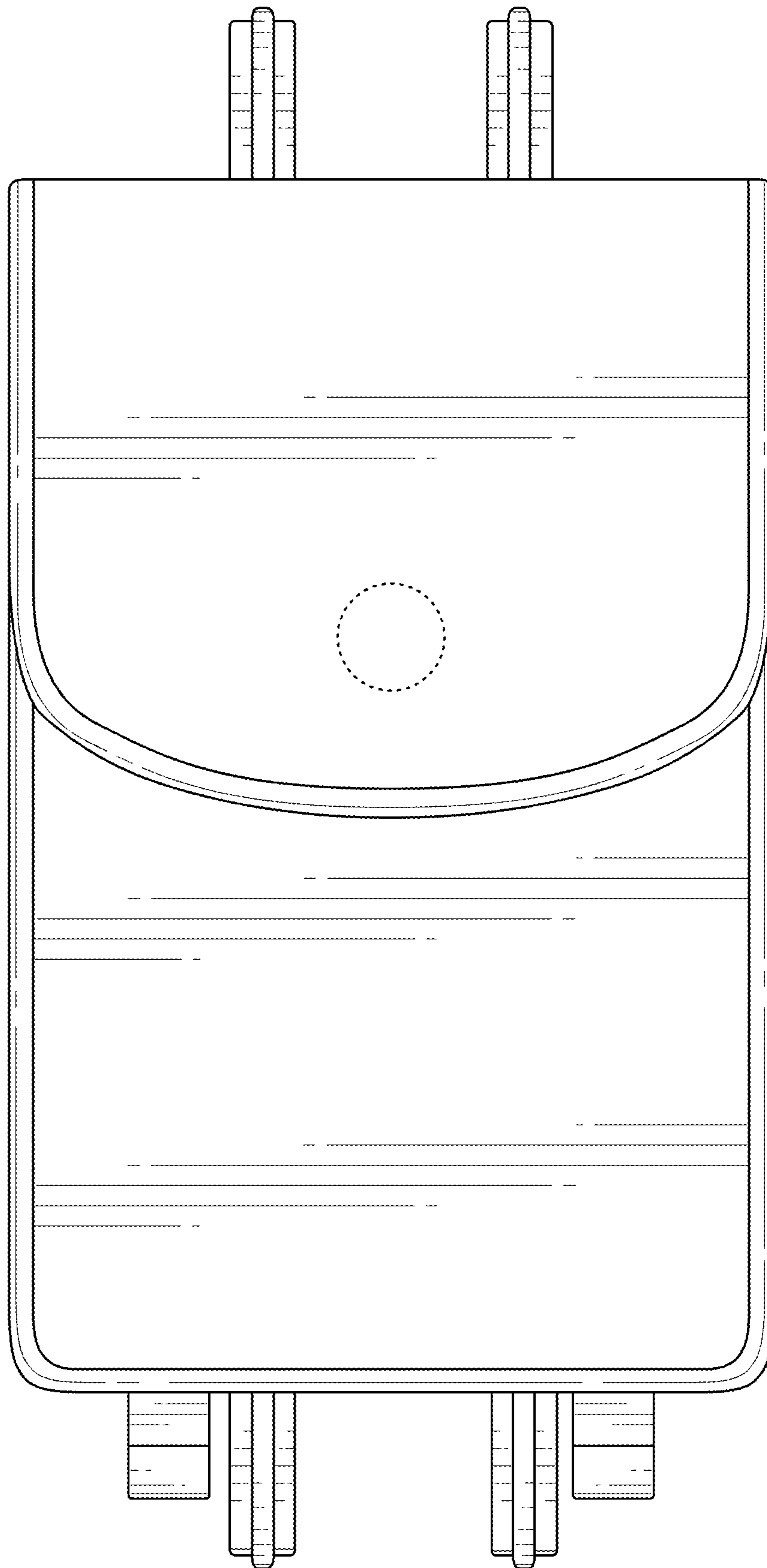


FIG. 5

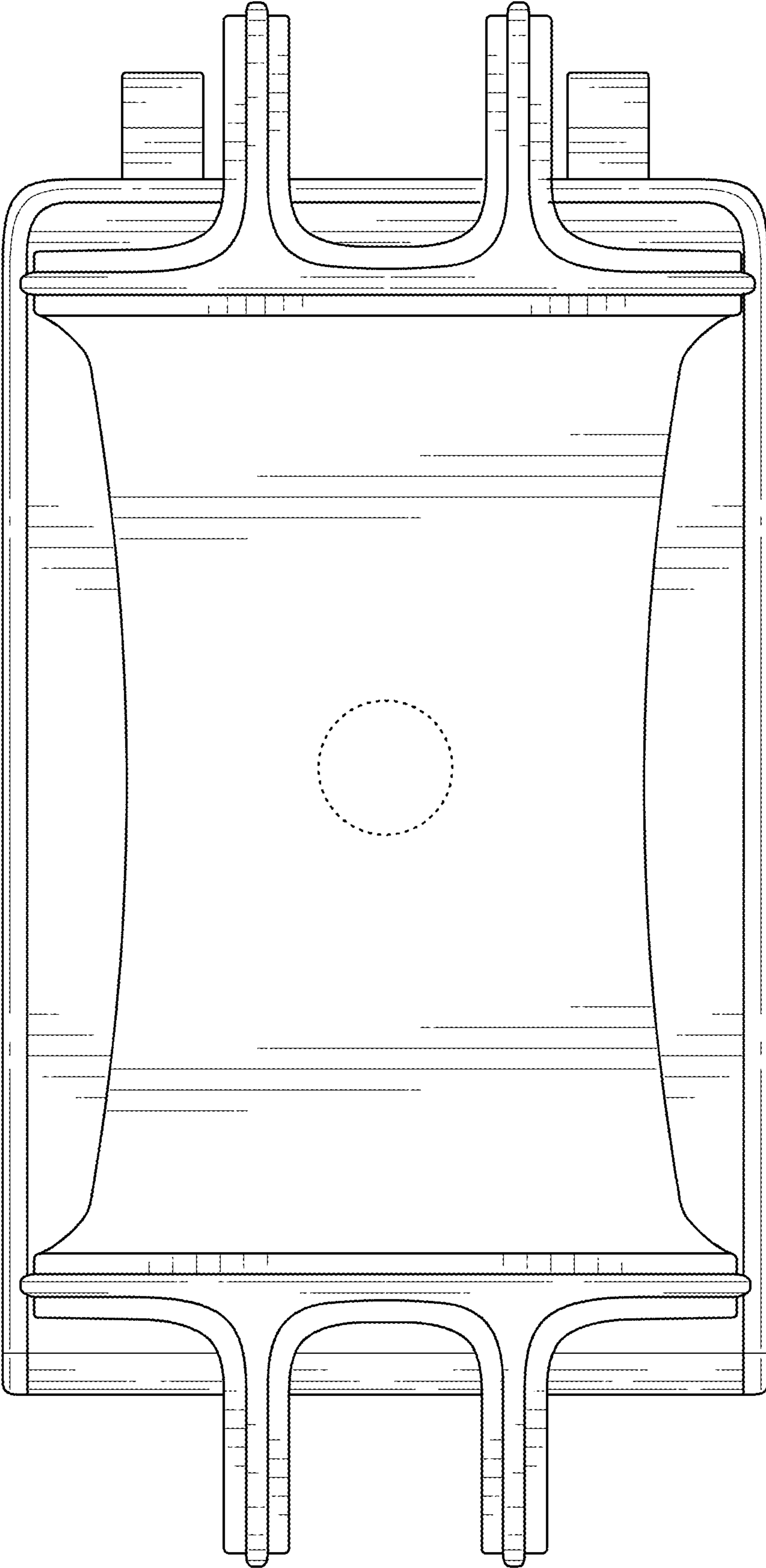


FIG. 6



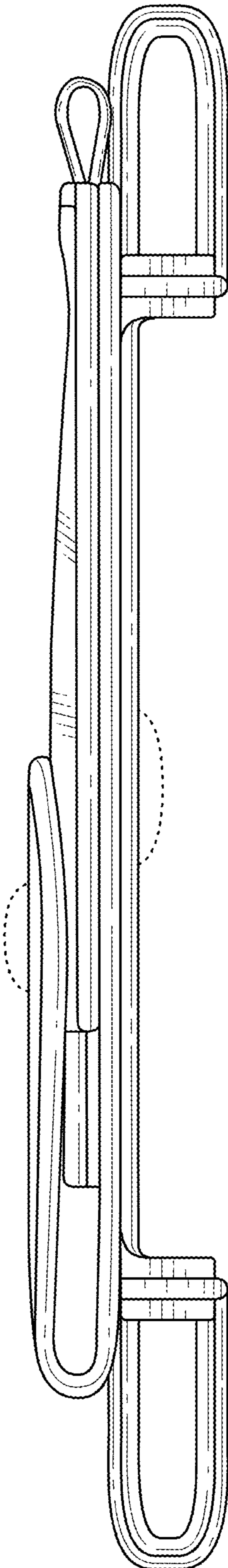


FIG. 7

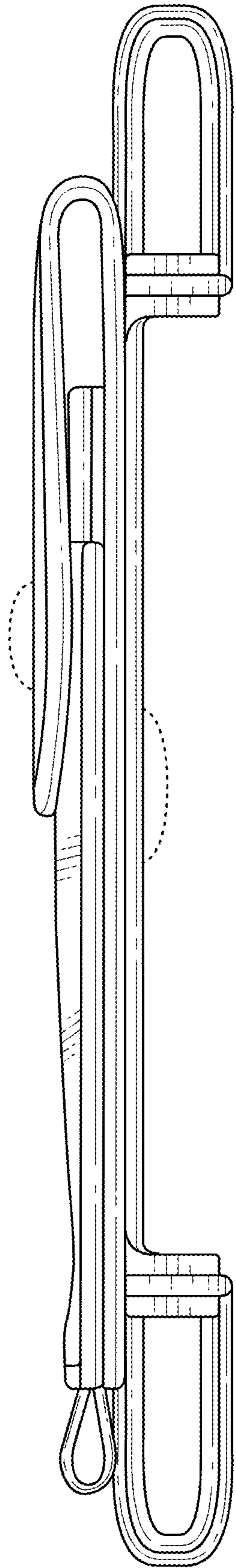


FIG. 8

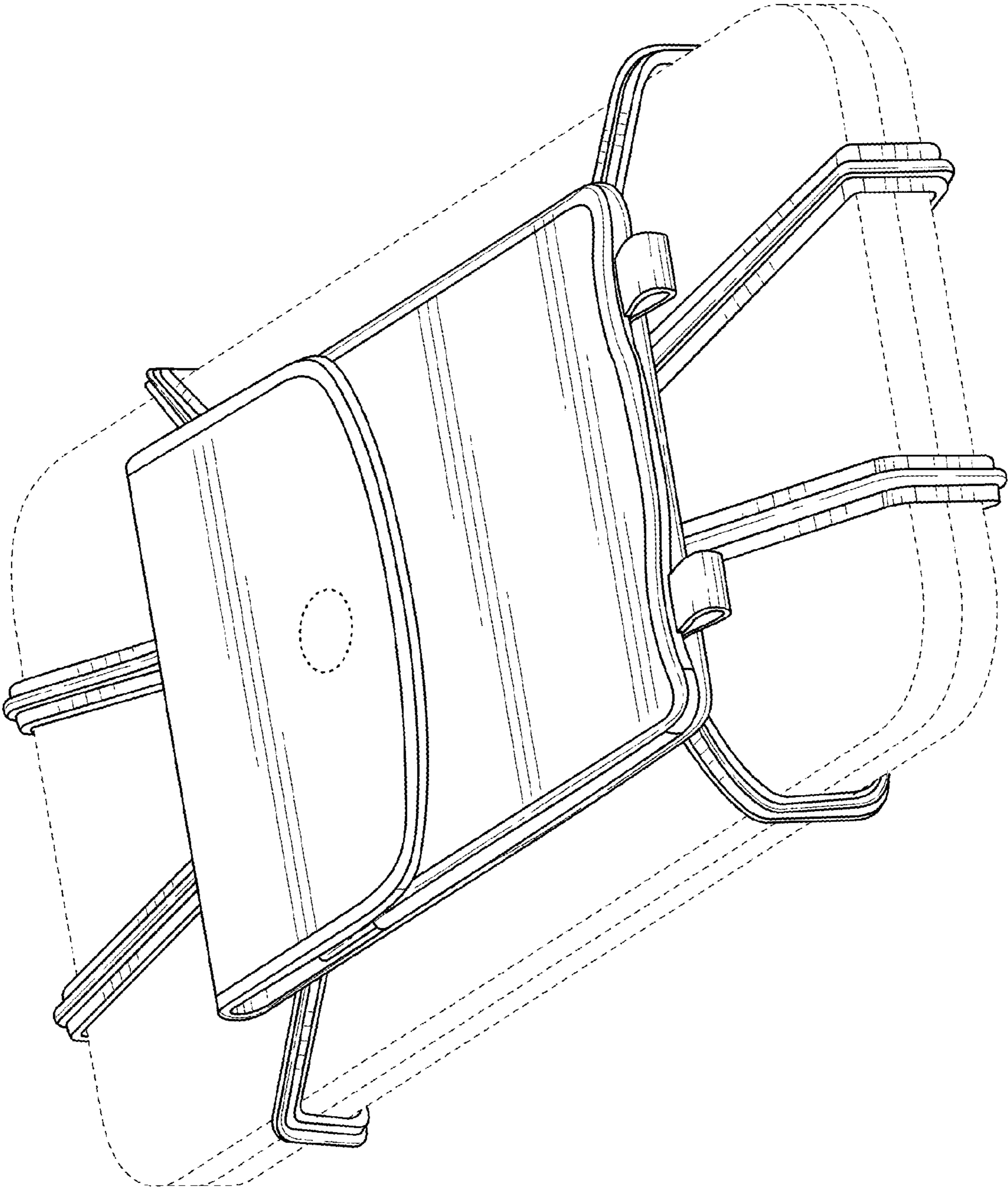


FIG. 9

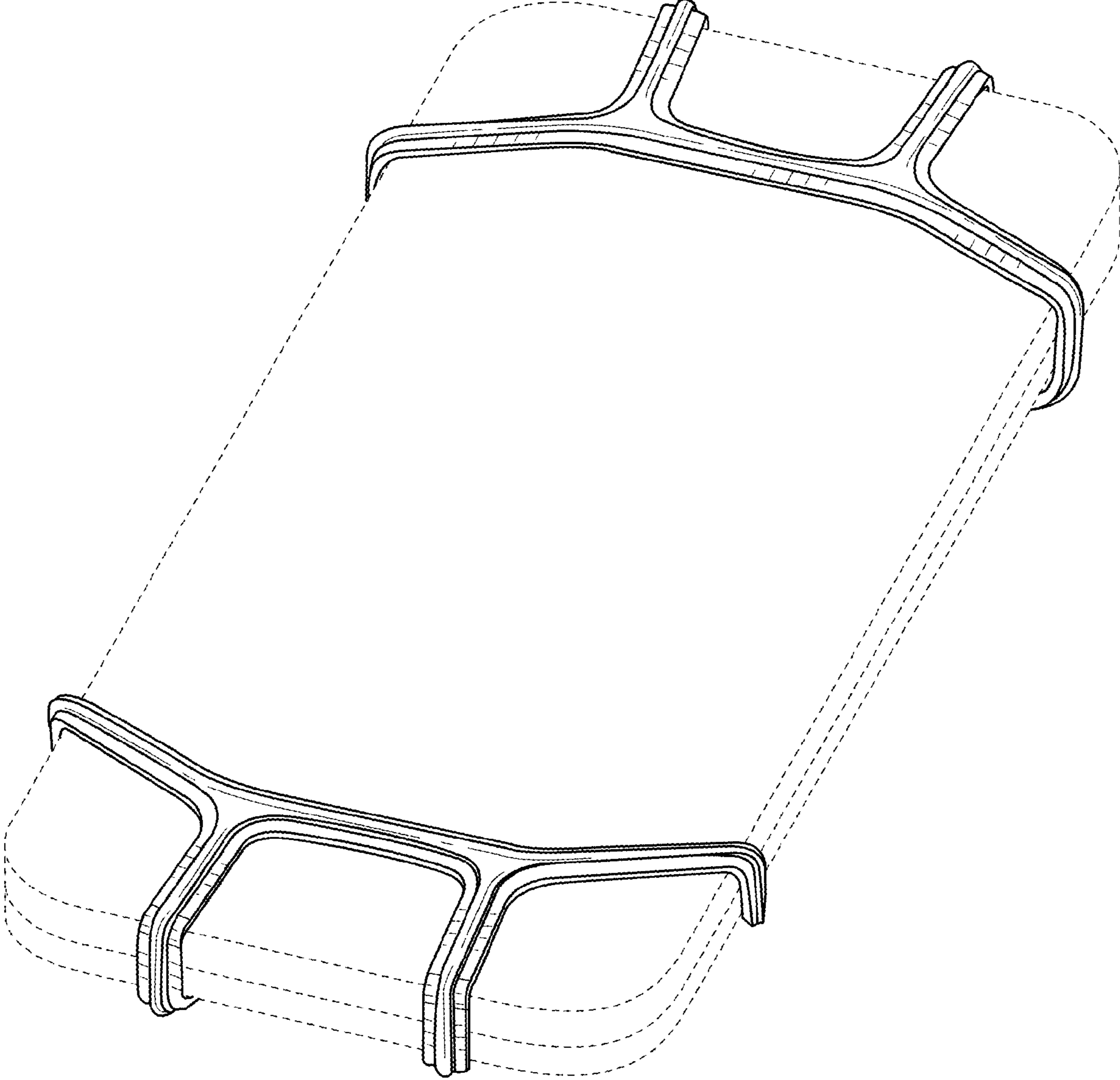


FIG. 10