



US00D931265S

(12) **United States Design Patent** (10) **Patent No.:** **US D931,265 S**
Bould et al. (45) **Date of Patent:** **** Sep. 21, 2021**

(54) **WIRELESS CONNECTIVITY DEVICE**

D743,359 S * 11/2015 Tatem D14/125
D753,639 S * 4/2016 Marzynski D14/240
D754,751 S * 4/2016 Kusano D14/496

(71) Applicant: **Amazon Technologies, Inc.**, Seattle, WA (US)

(Continued)

(72) Inventors: **Fred Bould**, Menlo Park, CA (US);
Jeremy Paul Wolf, San Francisco, CA (US); **Jamie Starr Perin**, San Francisco, CA (US); **Robert Nicholas Dean**, San Francisco, CA (US)

FOREIGN PATENT DOCUMENTS

CN 304933696 * 12/2018
KR 301106665.0000 * 4/2021
KR 301106675.0000 * 4/2021

(73) Assignee: **Amazon Technologies, Inc.**, Seattle, WA (US)

OTHER PUBLICATIONS

Amazon eero 6 dual-band mesh Wi-Fi 6 system, Date First Available: Not Given, [online], [retrieved on Jun. 17, 2021]. Retrieved from Internet, <URL: https://www.amazon.com/Amazon-eero-6-3-pack/dp/B085WSCTS4/ref=sr_1_6?dchild=1&keywords=range%2Bextender%2C%2Bnetwork%2Bswitch%2C%2Bnetwork%2Bhub%2C%2Bnetwork%2Brouter%2C%2Bnetwork%2Bmodem&qid=1623944086&sr=8-6&th=1>.*

(Continued)

(**) Term: **15 Years**

Primary Examiner — Bridget L Eland

(21) Appl. No.: **29/714,469**

(74) *Attorney, Agent, or Firm* — Lee & Hayes, P.C.

(22) Filed: **Nov. 22, 2019**

(51) **LOC (13) Cl.** **14-03**

(52) **U.S. Cl.**
USPC **D14/242**

(58) **Field of Classification Search**
USPC D14/240, 242, 357, 358, 140-140.9, 155, D14/125, 137, 139, 243, 348, 349, 351, D14/354, 355
CPC H04L 12/00; H03K 17/00; H04W 88/00; H04W 88/005; H04W 88/02; H04W 88/08; H04W 88/085; H04W 88/10; H04W 88/12; H04W 88/14; H04B 1/38
See application file for complete search history.

(57) **CLAIM**

The ornamental design for a wireless connectivity device, as shown and described.

DESCRIPTION

FIG. 1 is a top, front, right-side perspective view of a wireless connectivity device;
FIG. 2 is a top, back, right-side perspective view thereof;
FIG. 3 is a bottom, front, left-side perspective view thereof;
FIG. 4 is a front view thereof;
FIG. 5 is a back view thereof;
FIG. 6 is a left-side view thereof;
FIG. 7 is a right-side view thereof;
FIG. 8 is a top view thereof; and,
FIG. 9 is a bottom view thereof.

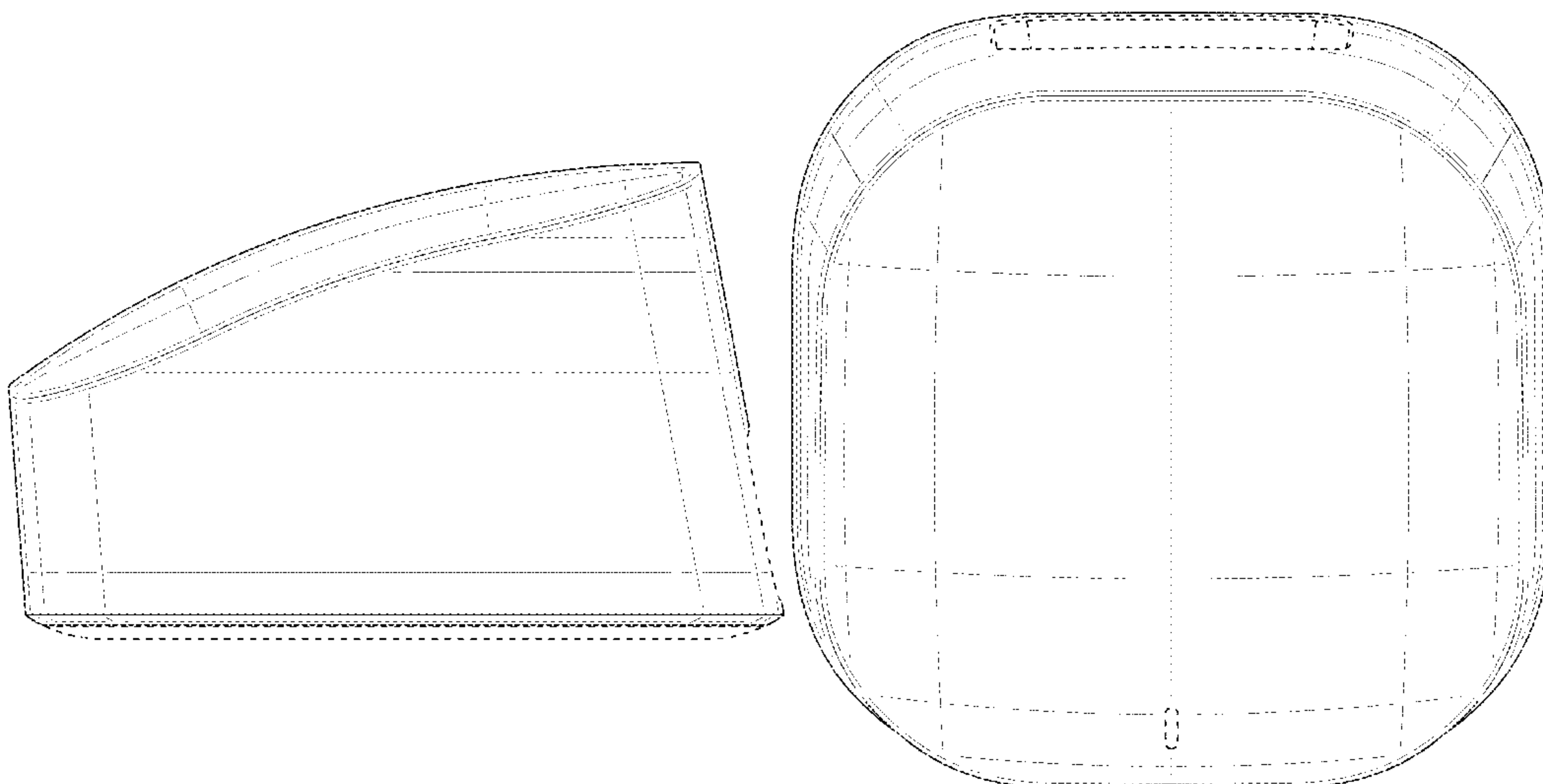
The dashed broken lines depict portions of the wireless connectivity device that form no part of the claimed design.

(56) **References Cited**

U.S. PATENT DOCUMENTS

D460,431 S * 7/2002 Narita D14/149
D501,203 S * 1/2005 Brown D14/240
D595,703 S * 7/2009 Ahlgren D14/240
D597,535 S * 8/2009 Brennwald D14/240
D610,133 S * 2/2010 Asano D14/240
D651,993 S * 1/2012 Cheng D14/125
D706,249 S * 6/2014 Holzer D14/240
D731,470 S * 6/2015 Terasawa D14/240

1 Claim, 9 Drawing Sheets



(56)

References Cited

U.S. PATENT DOCUMENTS

D760,670	S	*	7/2016	Sibley	D14/125
D762,215	S	*	7/2016	Luttrell	D14/388
D781,797	S	*	3/2017	Moon	D14/125
D782,429	S	*	3/2017	Xianda	D14/125
D785,608	S	*	5/2017	Weaver	D14/240
D813,212	S	*	3/2018	Nangeroni	D14/240
D835,085	S	*	12/2018	Burmeister-Brown	D14/240
D859,379	S	*	9/2019	Fidler	D14/242
D876,411	S	*	2/2020	Lim	D14/240
D895,591	S	*	9/2020	Lee	D14/240
D905,027	S	*	12/2020	Chang	D14/240
D912,030	S	*	3/2021	Bould	D14/240

OTHER PUBLICATIONS

Amazon eero Pro 6 tri-band mesh Wi-Fi 6 system, Date First Available:Not Given, [online], [retrieved on Jun. 17, 2021]. Retrieved from Internet, <URL: https://www.amazon.com/Amazon-eero-pro-6-3-pack/dp/B085VNCZHZ/ref=sr_1_23?dchild=1&keywords=range%2Bextender%2C%2Bnetwork%2Bswitch%2C%2Bnetwork%2Bhub%2C%2Bnetwork%2Brouter%2C%2Bnetwork%2Bmodem&qid=1623944112&sr=8-23&th=1>.*

Amazon eero mesh WiFi system, Date First Available:Not Given, [online], [retrieved on Jun. 17, 2021]. Retrieved from Internet, <URL: https://www.amazon.com/Introducing-eero-mesh-WiFi-system-3-pack-/dp/B07WMLPSRL/ref=sr_1_61?dchild=1&keywords=range%2Bextender%2C%2Bnetwork%2Bswitch%2C%2Bnetwork%2Bhub%2C%2Bnetwork%2Brouter%2C%2Bnetwork%2Bmodem&qid=1623944152&sr=8-61&th=1er%2C%2Bnetwork%2Bmodem&qid=1623944112&sr=8-23&th=1>.*

Amazon eero Pro mesh WiFi system, Date First Available:Not Given, [online], [retrieved on Jun. 17, 2021]. Retrieved from Internet, <URL: https://www.amazon.com/eero-Pro-WiFi-System-Pros/dp/B071DWXLYL/ref=sr_1_69?dchild=1&keywords=range%2Bextender%2C%2Bnetwork%2Bswitch%2C%2Bnetwork%2Bhub%2C%2Bnetwork%2Brouter%2C%2Bnetwork%2Bmodem&qid=1623944167&sr=8-69&th=1r%2C%2Bnetwork%2Bmodem&qid=1623944152&sr=8-61&th=1er%2C%2Bnetwork%2Bmodem&qid=1623944112&sr=8-23&th=1>.*

Chinese Office Action dated Aug. 18, 2020 for Chinese Design Application No. 202030212992.0, counterpart foreign application of Design U.S. Appl. No. 29/714,469, 1 page.

Japanese Office Action dated Oct. 6, 2020 for Japanese Design Application No. 2020-009192, a counterpart foreign application of Design U.S. Appl. No. 29/714,469, 2 pages.

* cited by examiner

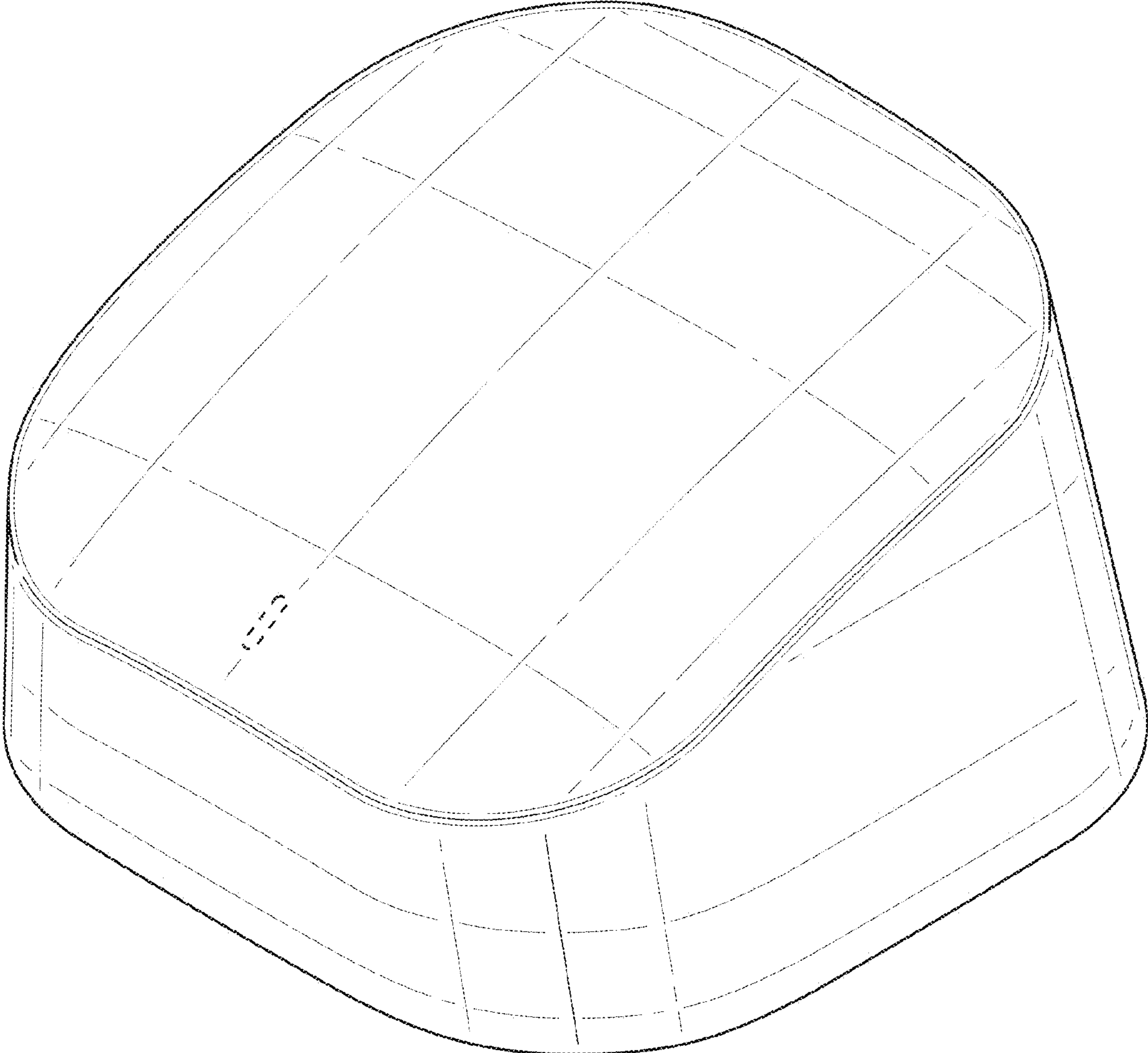


FIG. 1

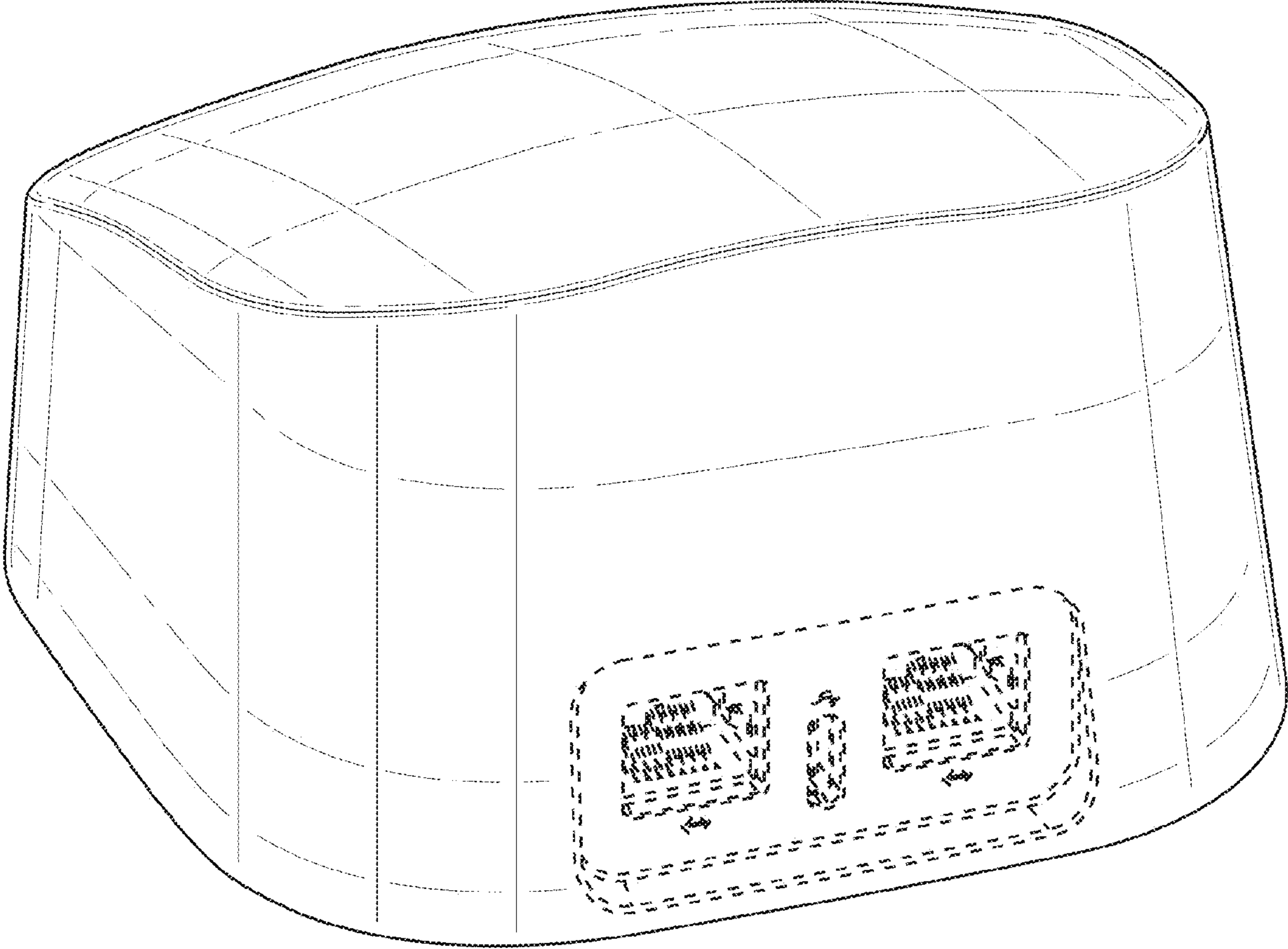


FIG. 2

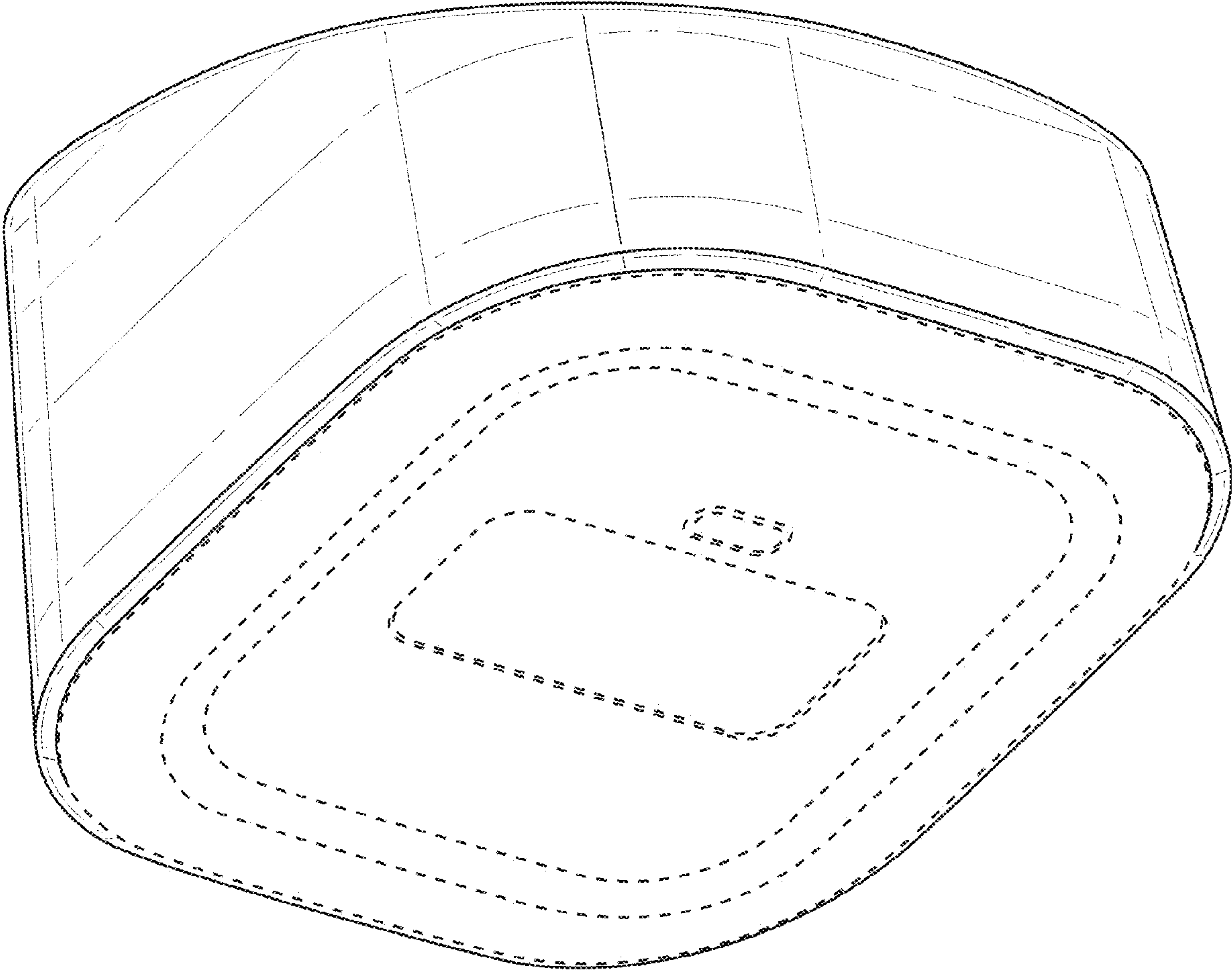


FIG. 3

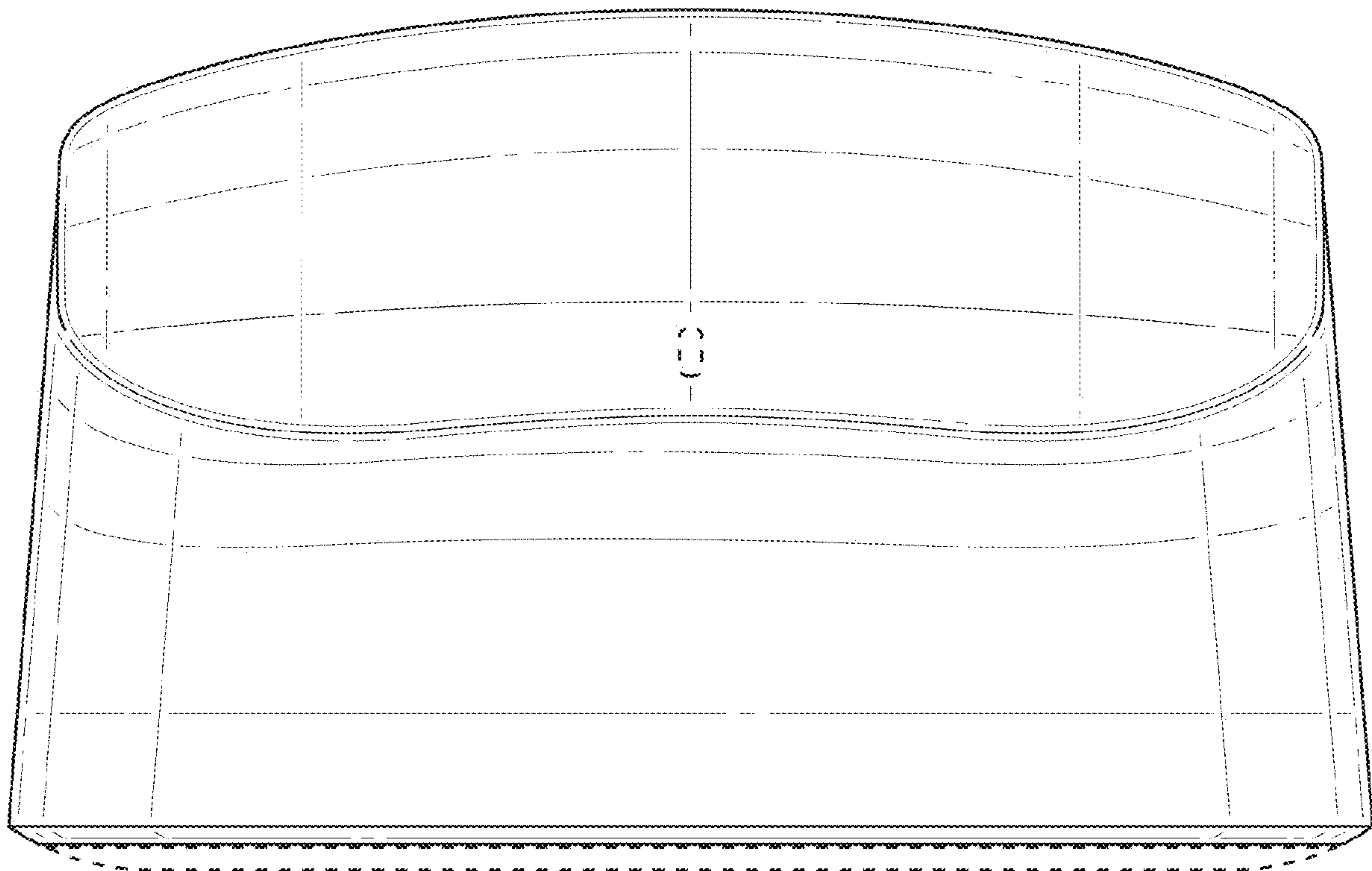


FIG. 4

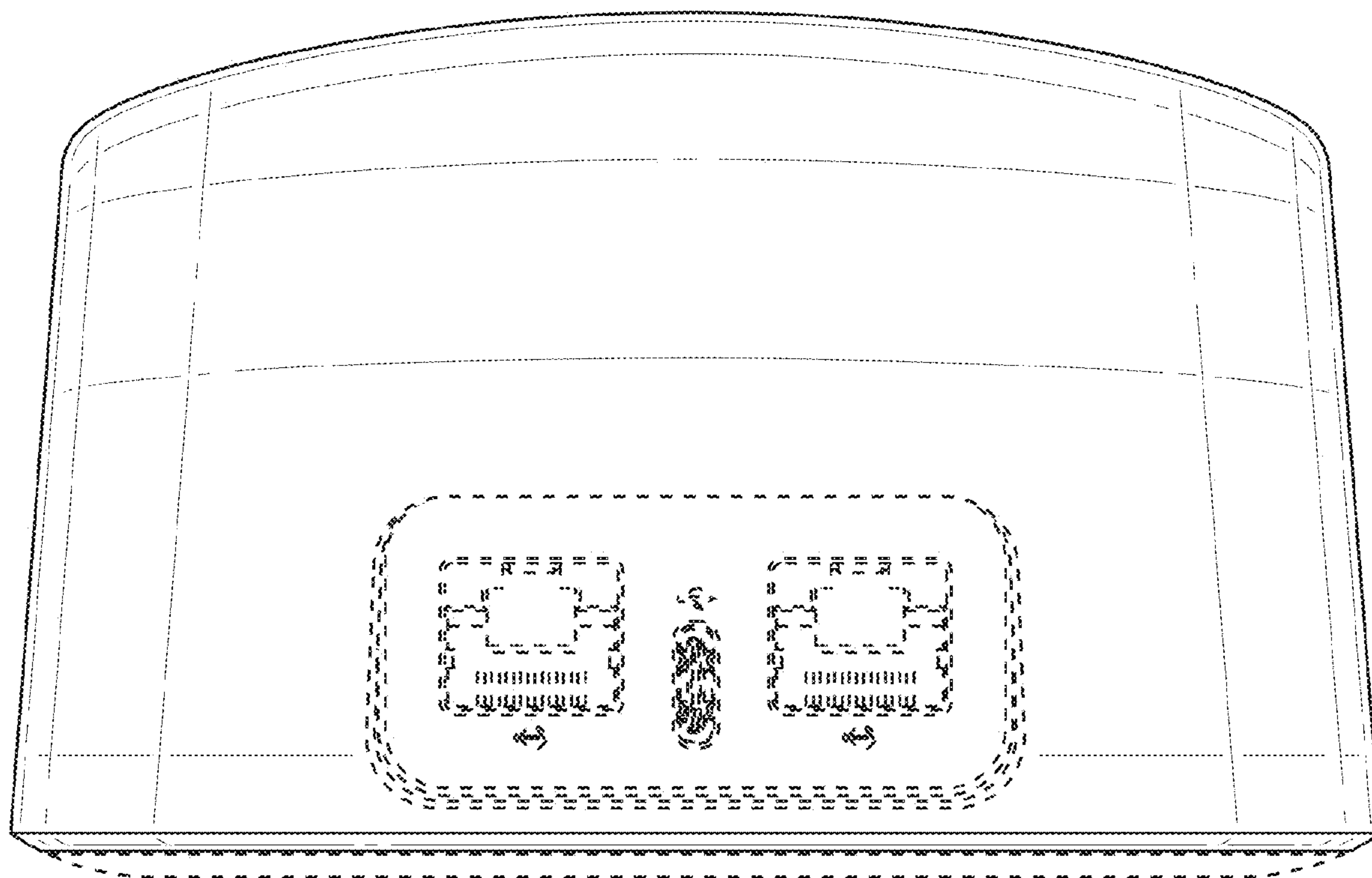


FIG. 5

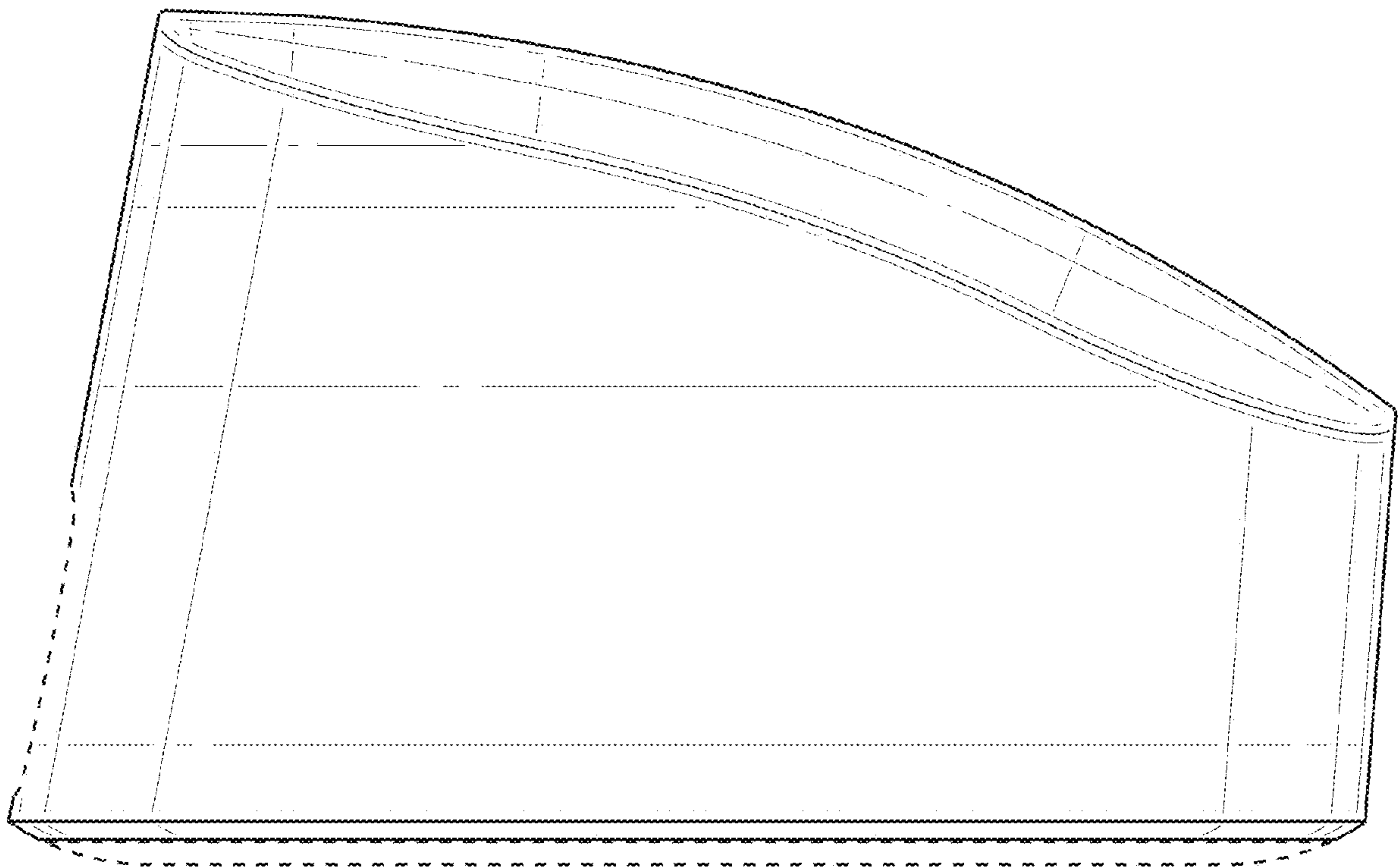


FIG. 6

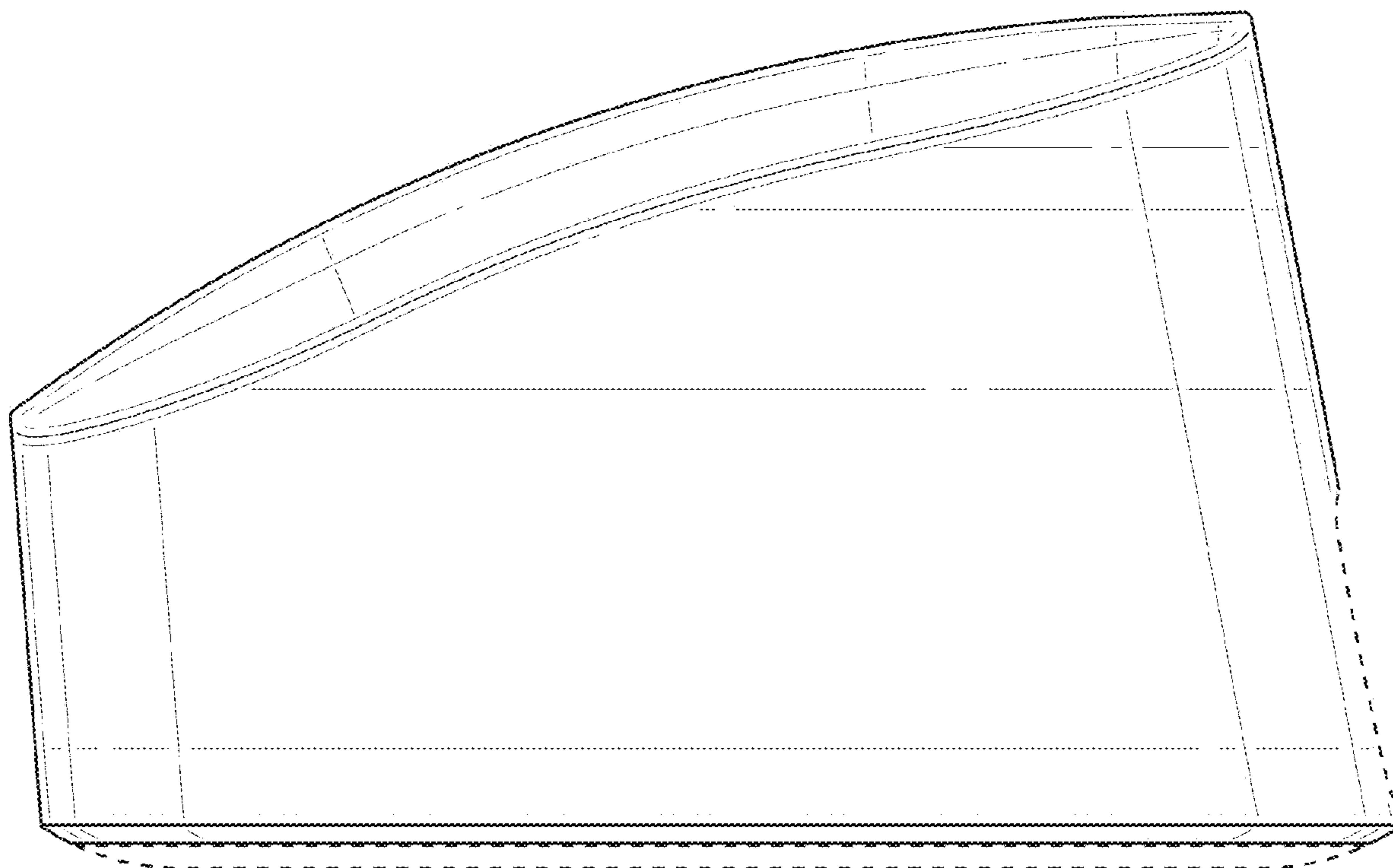


FIG. 7

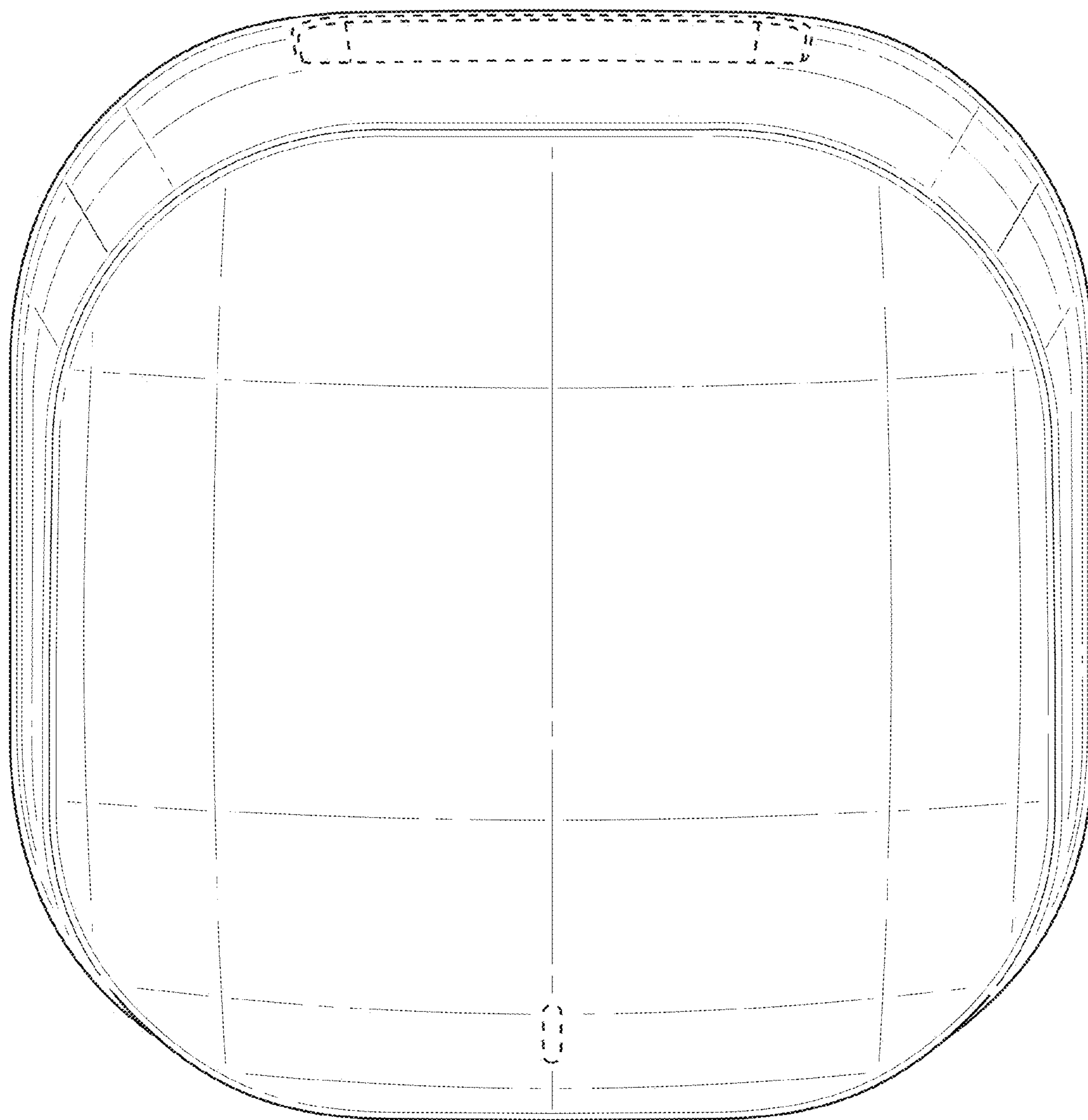


FIG. 8

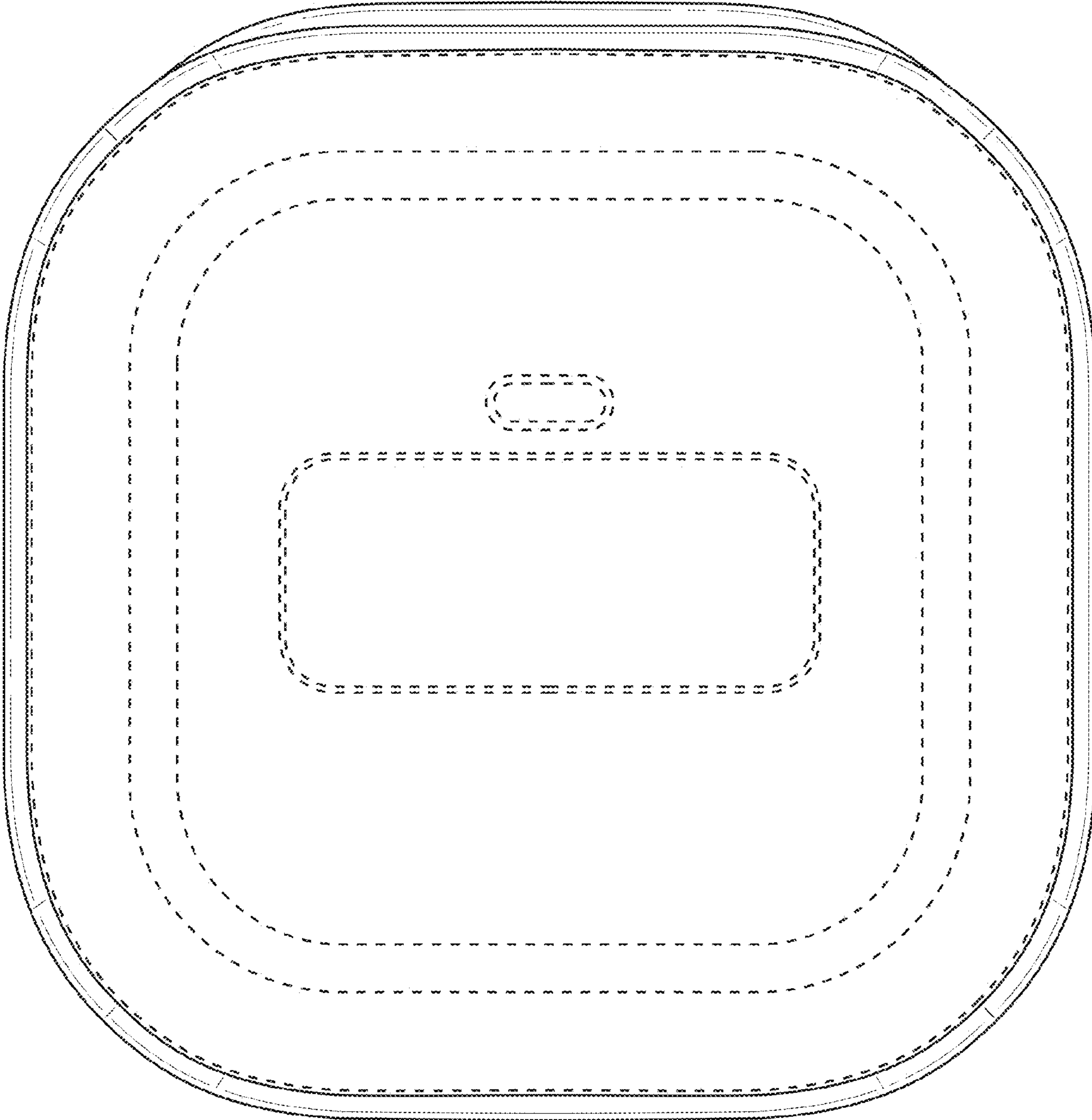


FIG. 9