



US00D931264S

(12) **United States Design Patent** (10) **Patent No.:** **US D931,264 S**
Chen (45) **Date of Patent:** **** Sep. 21, 2021**

(54) **DISPLAY MOUNT**

FOREIGN PATENT DOCUMENTS

(71) Applicant: **SHENZHEN PRIME TECHNOLOGY CO., LTD**, Shenzhen (CN)

CN 301217063 * 5/2010
CN 302993595 * 11/2014

(Continued)

(72) Inventor: **Huasheng Chen**, Shenzhen (CN)

OTHER PUBLICATIONS

(73) Assignee: **SHENZHEN PRIME TECHNOLOGY CO., LTD**, Shenzhen (CN)

Amazon. Link: https://www.amazon.com/dp/B08FB2Q83M/ref=sspa_dk_detail_1?psc=1. Aug. 5, 2020. AM alphamount Tilting TV Wall Mount Bracket. (Year: 2020).*

(Continued)

(**) Term: **15 Years**

Primary Examiner — Lauren D McVey

(21) Appl. No.: **29/752,350**

(57) **CLAIM**

(22) Filed: **Sep. 26, 2020**

The ornamental design for a display mount, as shown and described.

(51) **LOC (13) Cl.** **14-03**

(52) **U.S. Cl.**

USPC **D14/239**

(58) **Field of Classification Search**

USPC D14/239, 371, 372, 373, 374, 375, 376, D14/377, 447-452, 125, 127, 128, 129, D14/335-337, 341, 126; D8/355, 363, D8/373; D6/672, 682

CPC F16M 11/2085; F16M 11/2092; F16M 11/2007; F16M 11/2014; F16M 11/2021; F16M 11/105; F16M 11/048; F16M 11/12; F16M 13/022; F16M 11/10

See application file for complete search history.

DESCRIPTION

FIG. 1 is a perspective view of a first embodiment of a display mount showing my new design; FIG. 2 is another perspective view thereof; FIG. 3 is a front elevational view thereof; FIG. 4 is a rear elevational view thereof; FIG. 5 is a left side elevational view thereof; FIG. 6 is a right side elevational view thereof; FIG. 7 is a top plan view thereof; and FIG. 8 is a bottom plan view thereof; FIG. 9 is a perspective view of a second embodiment of the display mount showing my new design; FIG. 10 is another perspective view thereof; FIG. 11 is a front elevational view thereof; FIG. 12 is a rear elevational view thereof; FIG. 13 is a left side elevational view thereof; FIG. 14 is a right side elevational view thereof; FIG. 15 is a top plan view thereof; and, FIG. 16 is a bottom plan view thereof.

The broken lines in the drawings depict portions of the display mount that form no part of the claimed design.

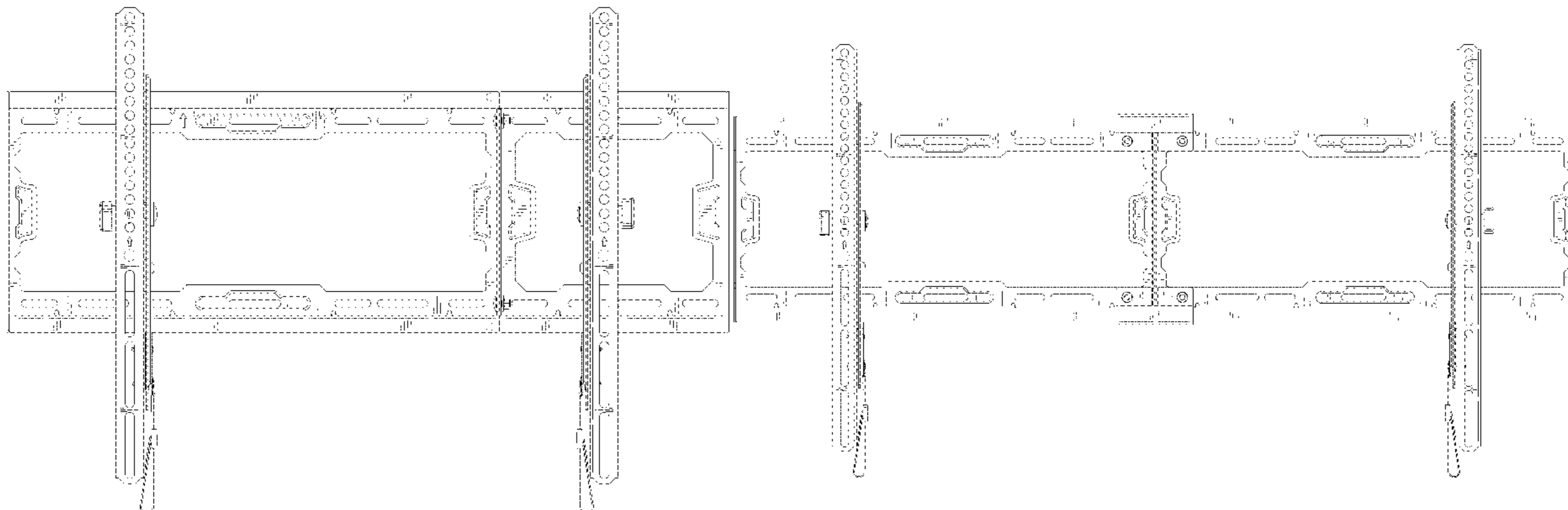
(56) **References Cited**

U.S. PATENT DOCUMENTS

D538,140 S 3/2007 Ly Hau et al.
D570,199 S 6/2008 Bremmon
D624,061 S * 9/2010 Smith D14/239
D631,875 S * 2/2011 Skull D14/239
8,746,639 B2 * 6/2014 Nguyen F16M 11/10
248/205.1

(Continued)

1 Claim, 16 Drawing Sheets



(56)

References Cited

U.S. PATENT DOCUMENTS

8,891,249 B2 * 11/2014 Stanek F16M 13/02
361/810
9,829,151 B1 * 11/2017 Stenhouse F16M 13/02
D842,283 S * 3/2019 Pei D14/239
D848,989 S * 5/2019 Pei D14/239
D848,990 S * 5/2019 Pei D14/239
D910,607 S * 2/2021 Lyu D14/239
D912,028 S * 3/2021 Shu D14/239
D915,365 S * 4/2021 Lu D14/239
D918,189 S * 5/2021 Lu D14/239
2017/0261154 A1 * 9/2017 Feldman F16M 11/041

FOREIGN PATENT DOCUMENTS

CN 303000276 * 11/2014
CN 303059532 * 12/2014
EM 007713235-0004 * 2/2020

OTHER PUBLICATIONS

Amazon. Link: https://www.amazon.com/dp/B08C9PF1CX/ref=cm_sw_em_r_mt_dp_PM6523P5ESKMP0Y702NB?_encoding=UTF8&psc=1. Jul. 3, 2020. Pipishell Tilt TV Wall Mount Bracket. (Year: 2020).*

Amazon. Link: https://www.amazon.com/Pipishell-Profile-Bracket-Curved-400x400mm/dp/B08C8SSQKZ/ref=sr_1_2?dchild=1&keywords=B08C8SSQKZ&qid=1626089479&s=electronics&sr=1-2. Jul. 2, 2020. Pipishell Fixed TV Wall Mount Bracket Low Profile. (Year: 2020).*

* cited by examiner

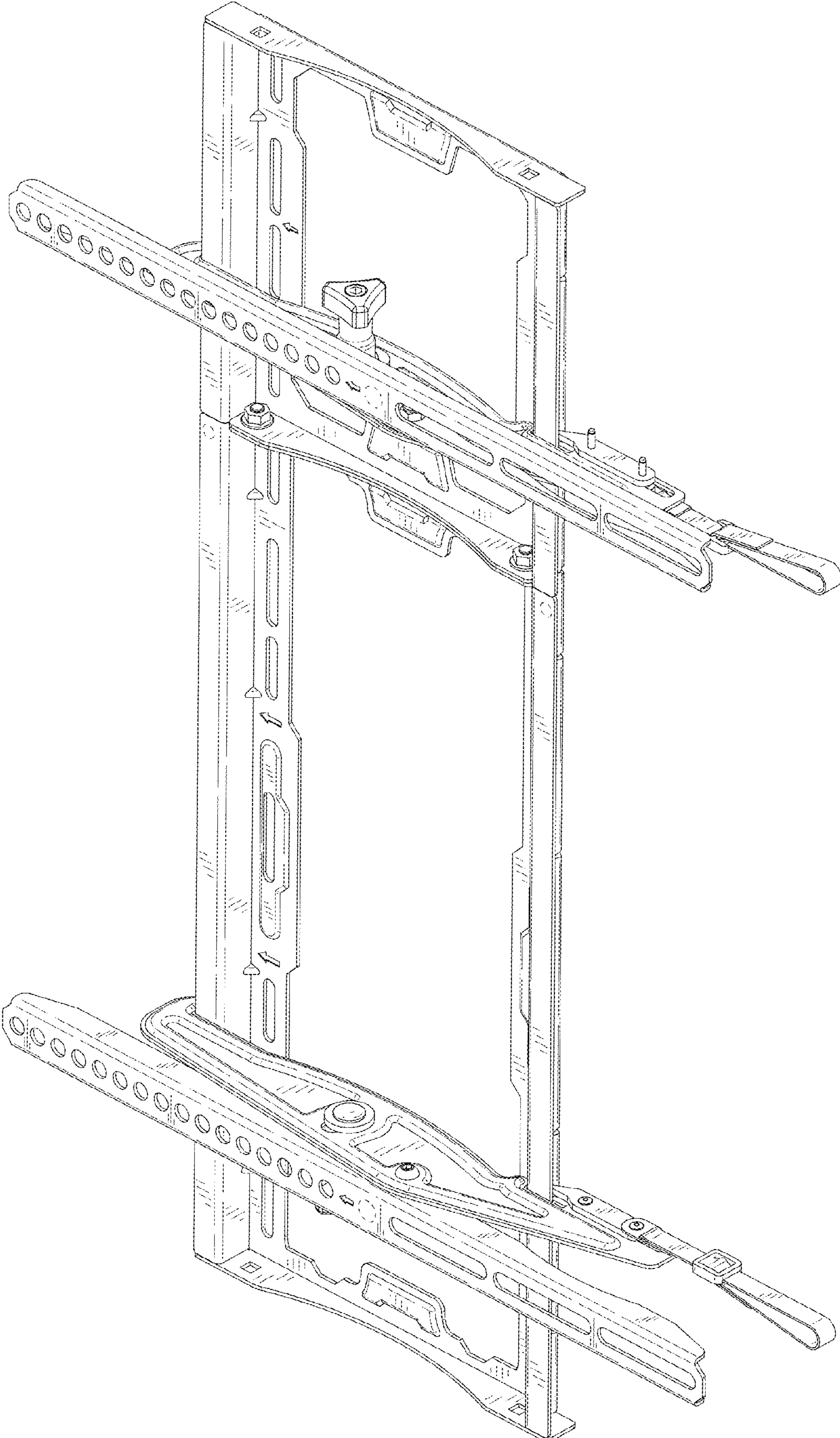


FIG. 1

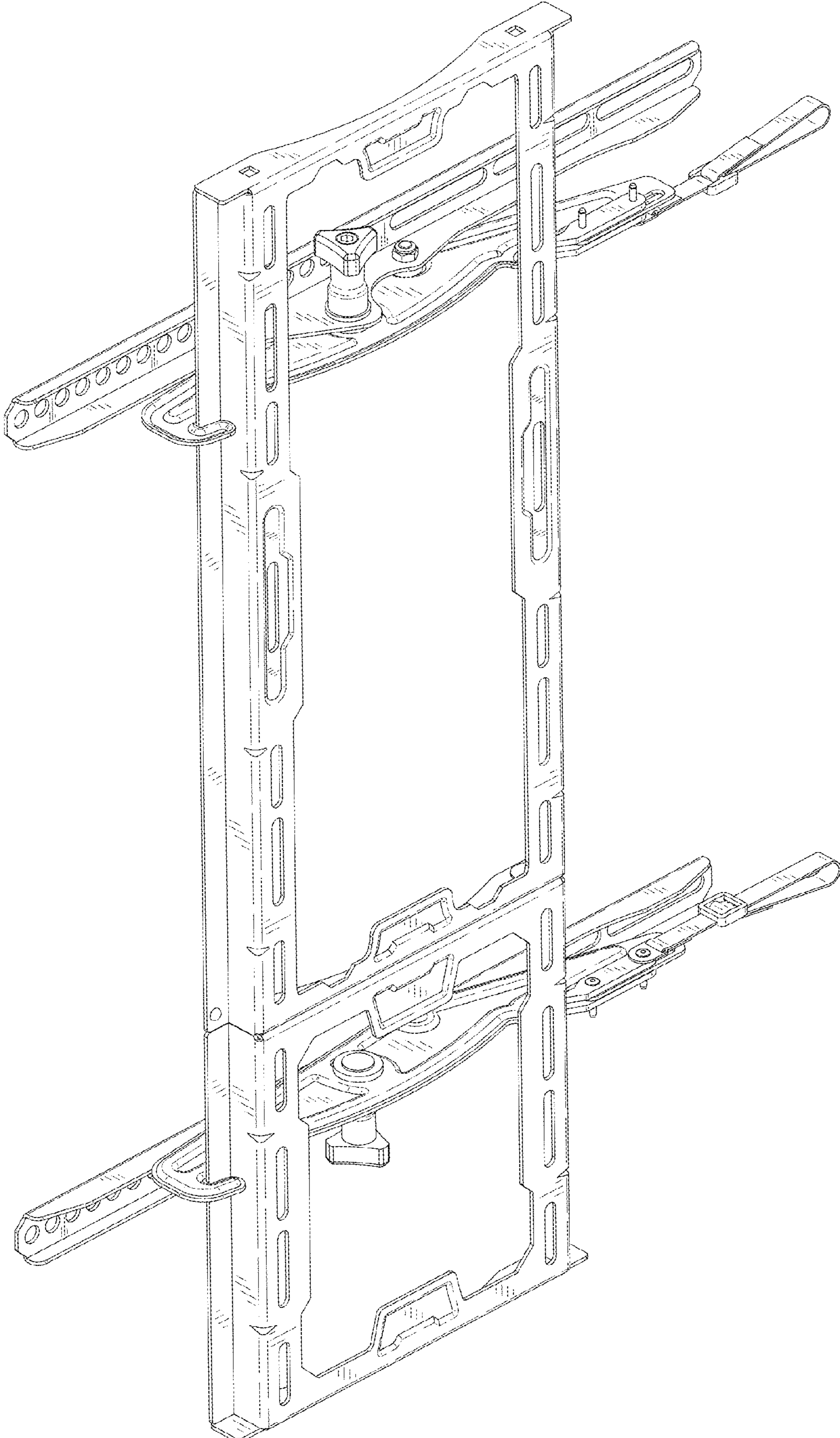


FIG. 2

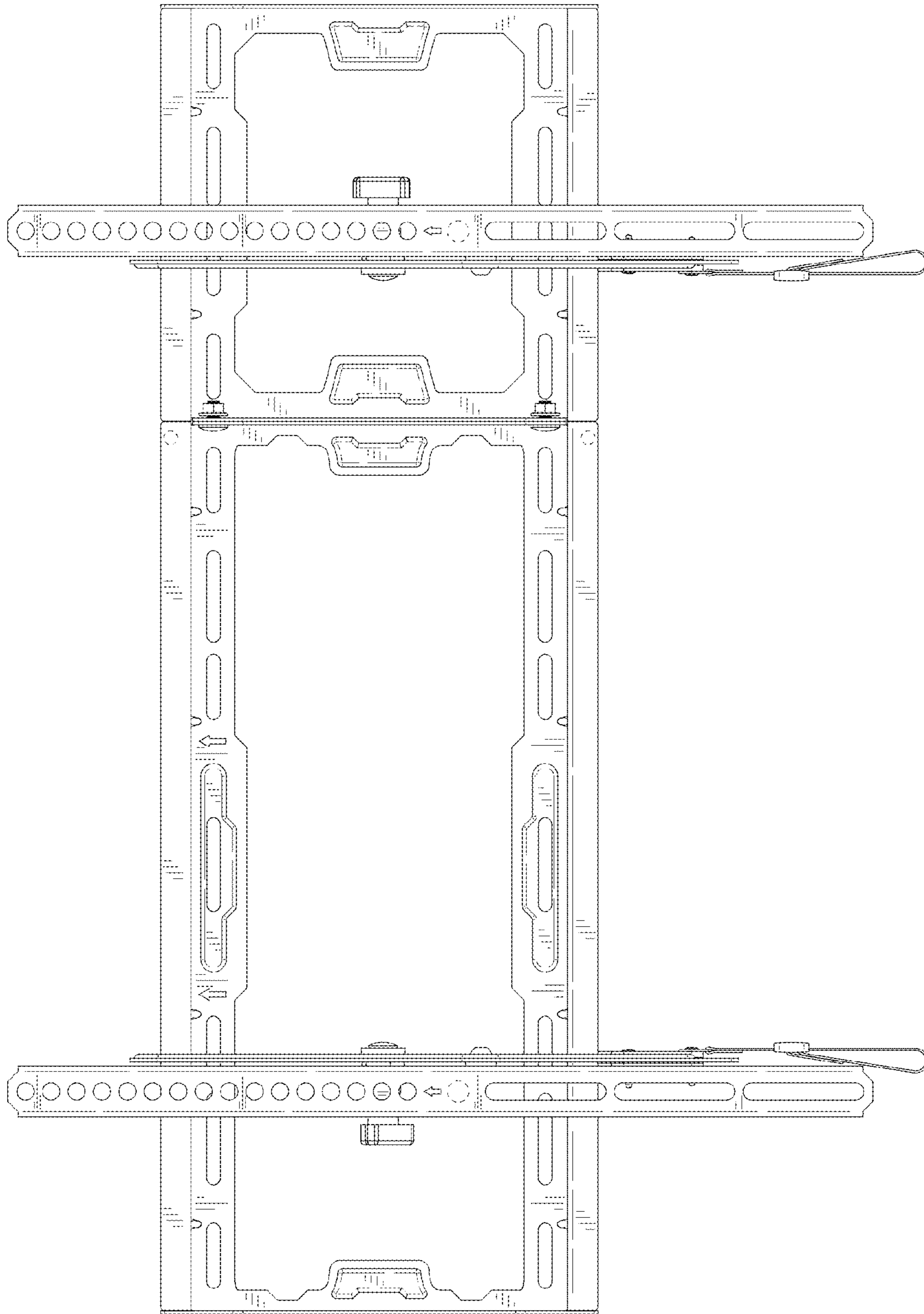


FIG. 3

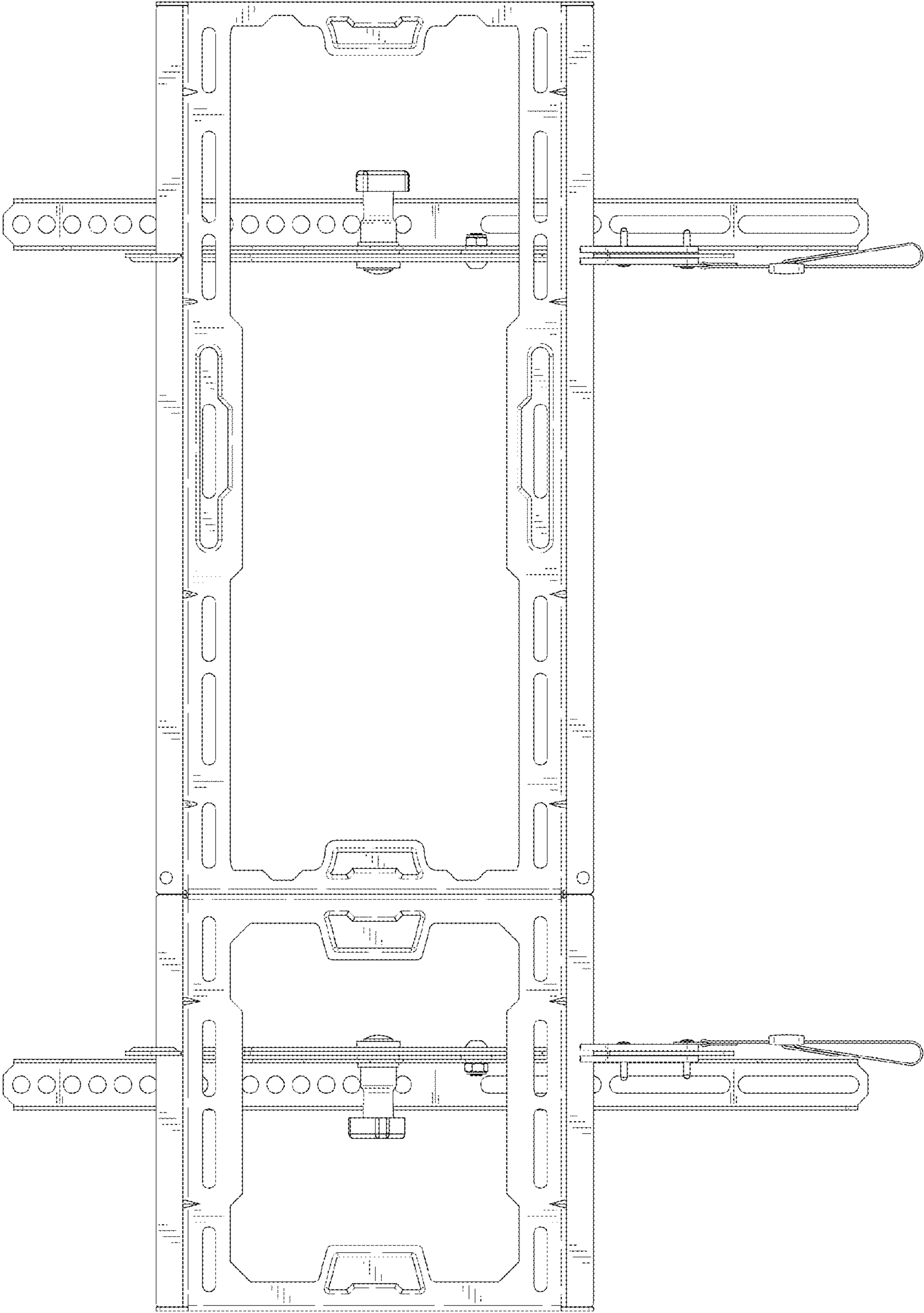


FIG. 4

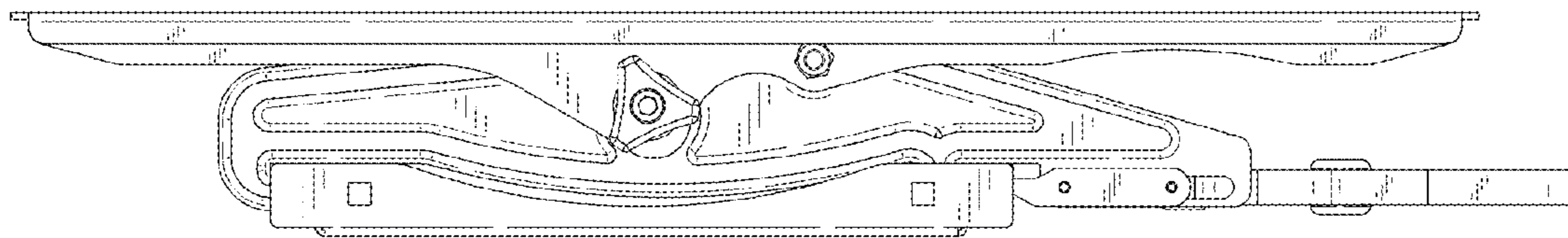


FIG. 5

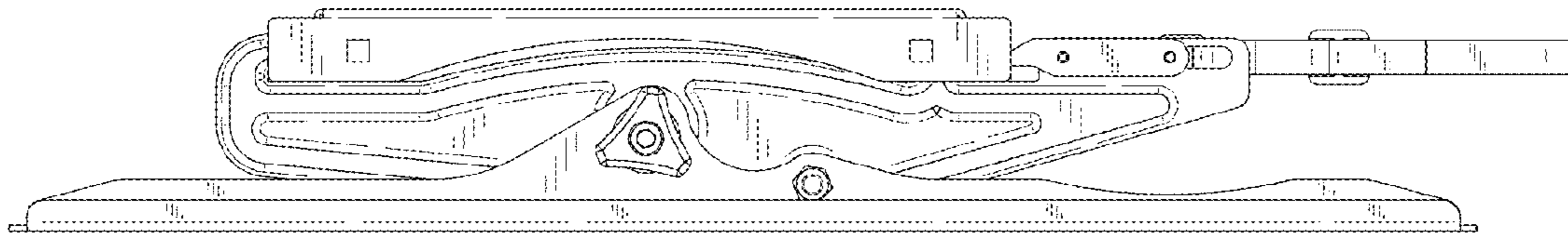


FIG. 6

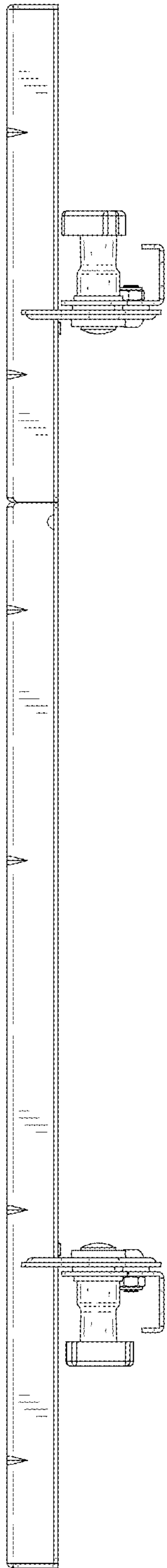


FIG. 7

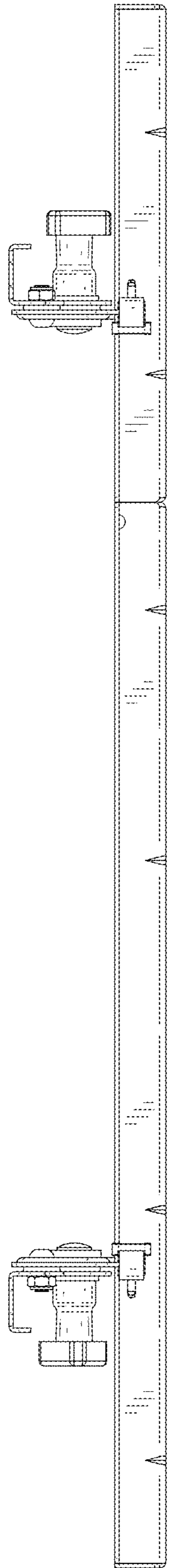


FIG. 8

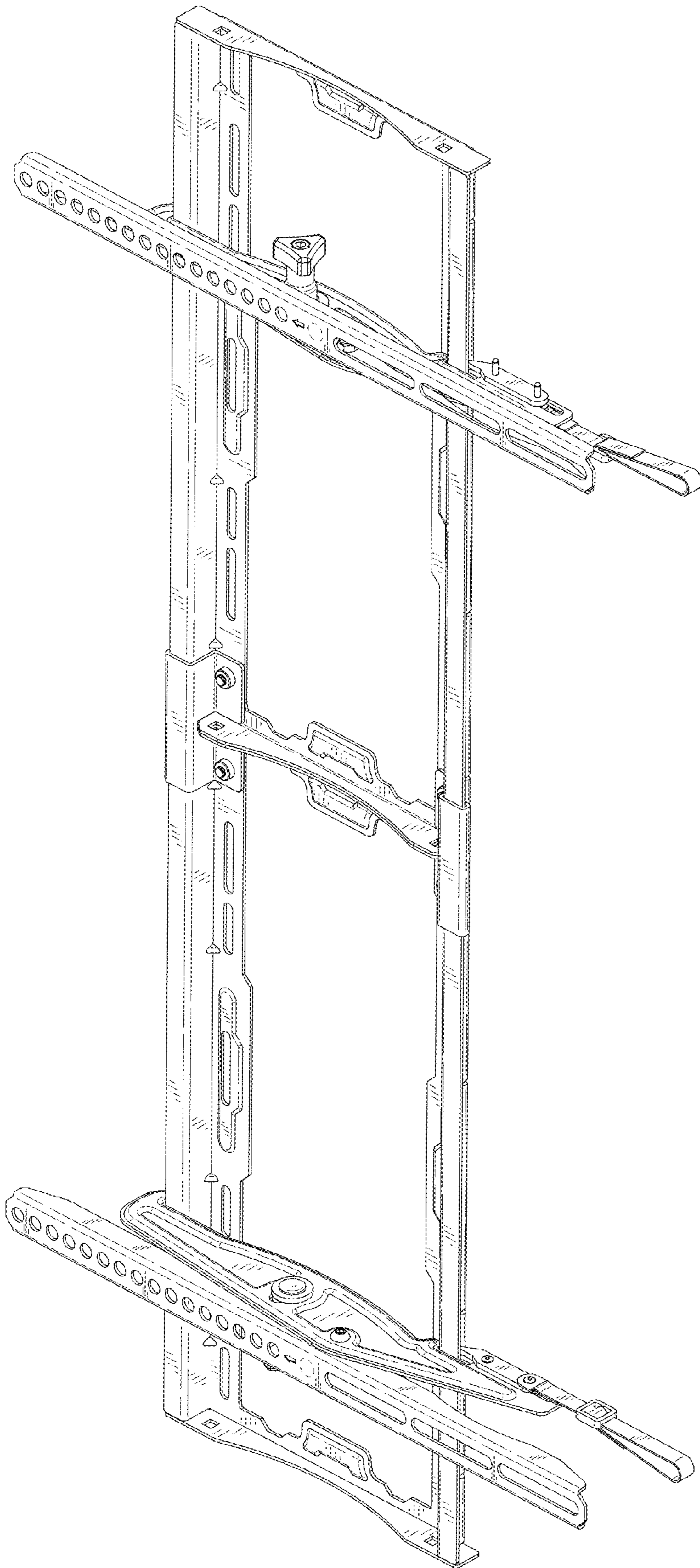


FIG. 9

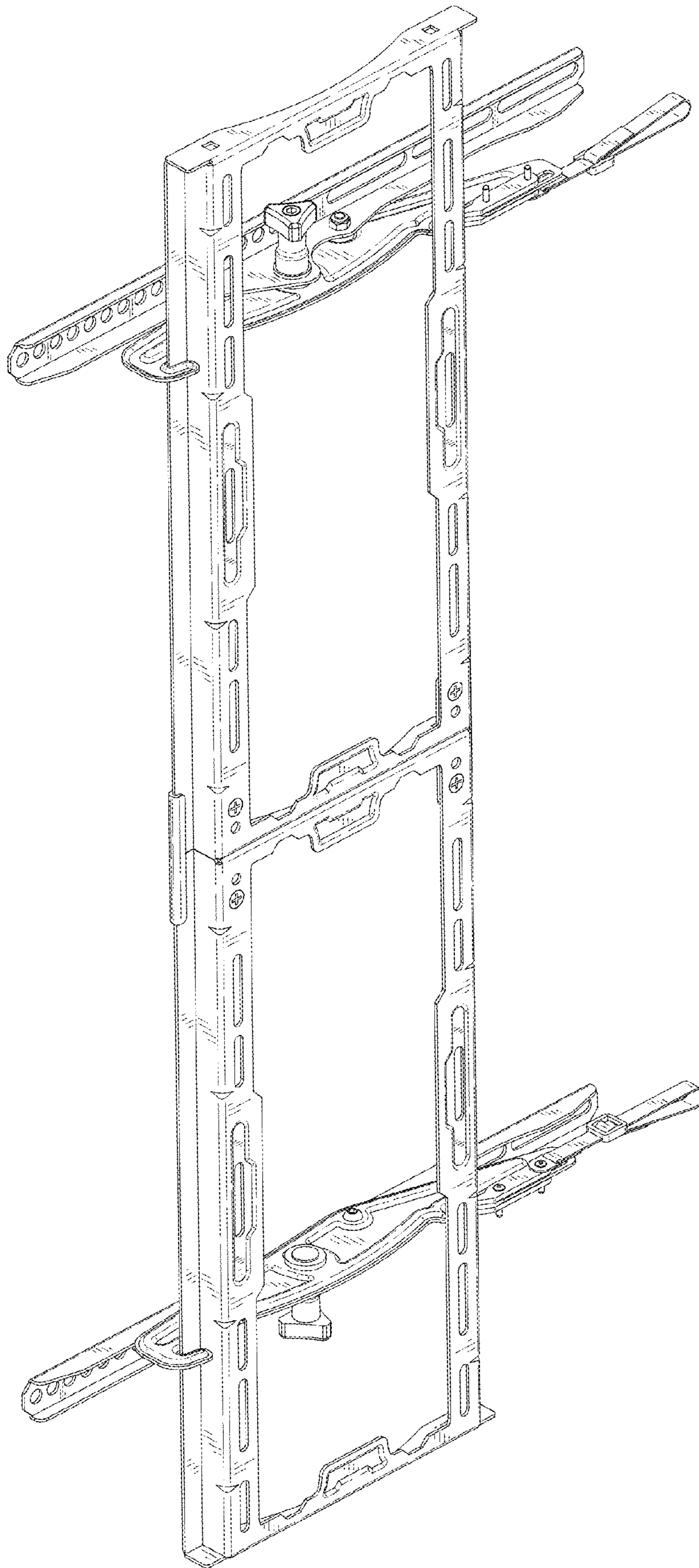


FIG. 10

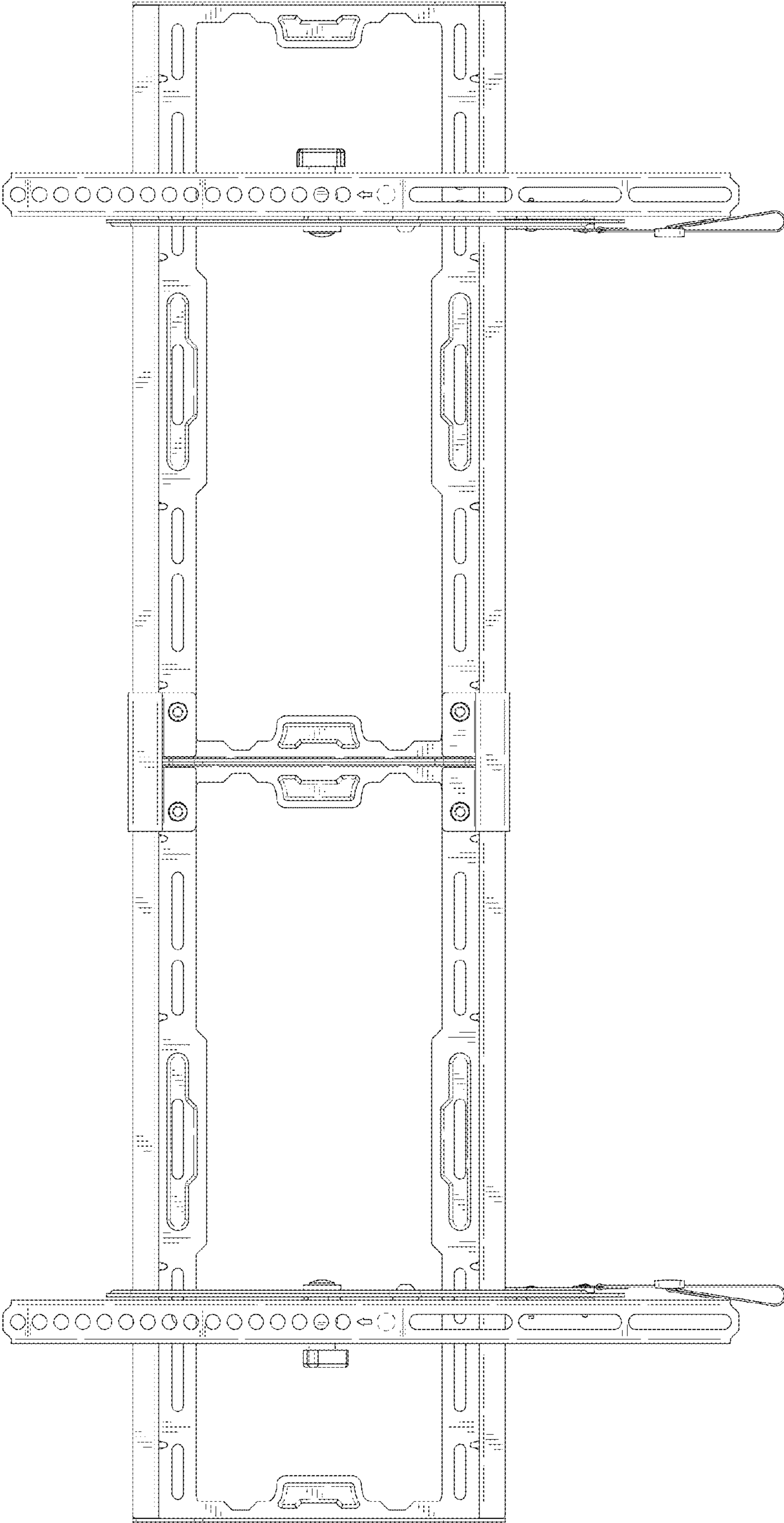


FIG. 11

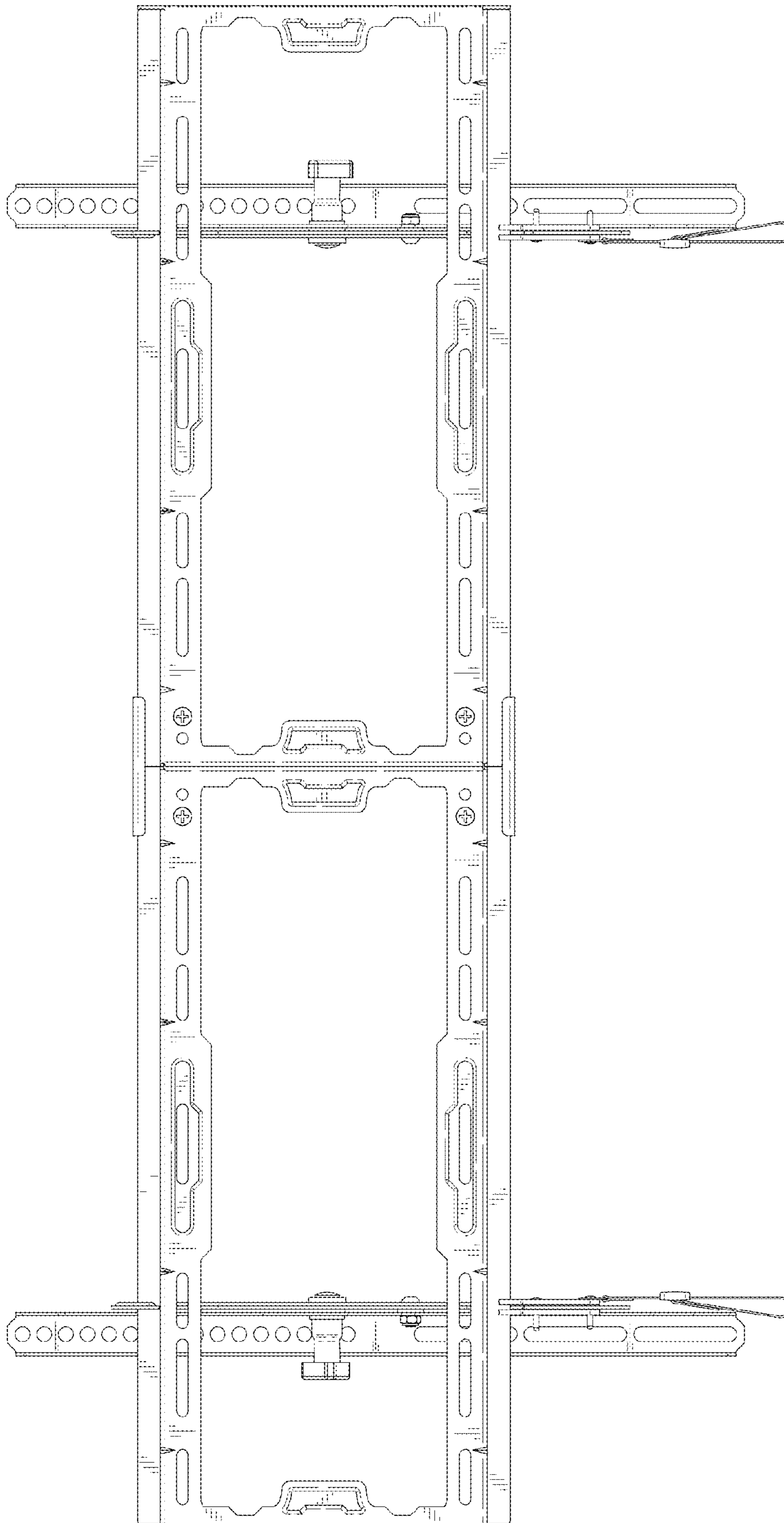


FIG. 12

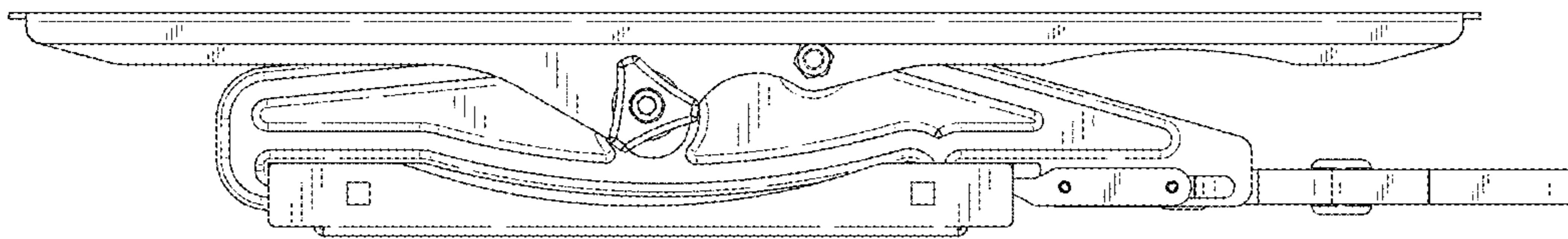


FIG. 13

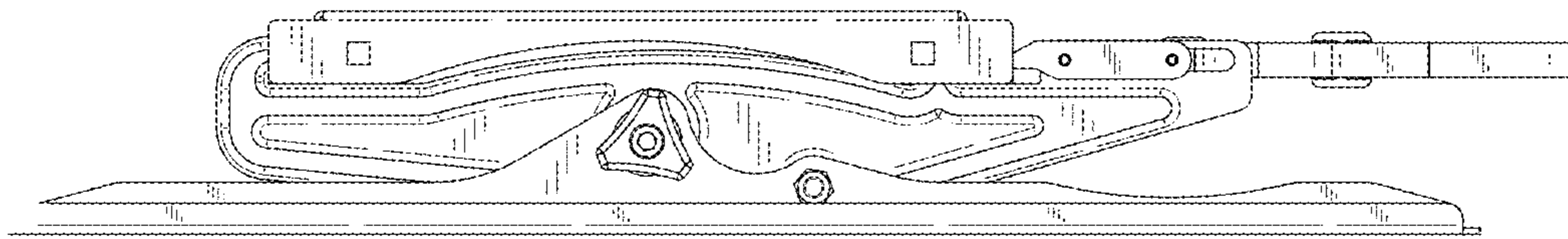


FIG. 14

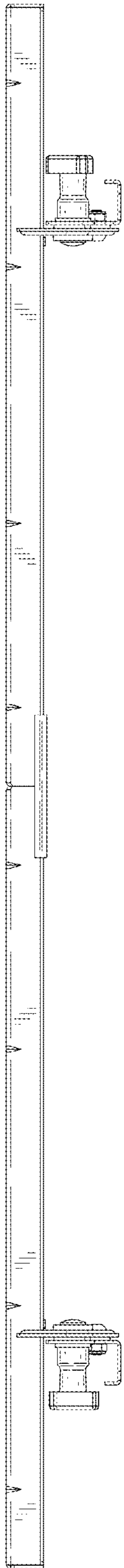


FIG. 15

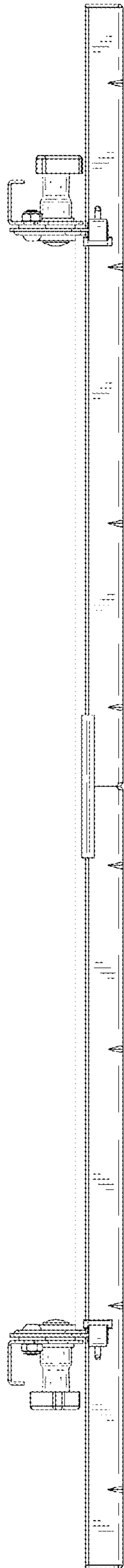


FIG. 16