



US00D931262S

(12) **United States Design Patent** (10) **Patent No.:** **US D931,262 S**
Lee et al. (45) **Date of Patent:** **** *Sep. 21, 2021**

(54) **MODULAR DISPLAY**

(71) Applicant: **Samsung Electronics Co., Ltd.**,
Suwon-si (KR)

(72) Inventors: **Jaeneung Lee**, Suwon-si (KR);
Byungmin Woo, Suwon-si (KR);
Chulyong Cho, Suwon-si (KR)

(73) Assignee: **Samsung Electronics Co., Ltd.**,
Suwon-si (KR)

(*) Notice: This patent is subject to a terminal disclaimer.

(**) Term: **15 Years**

(21) Appl. No.: **29/697,084**

(22) Filed: **Jul. 3, 2019**

(30) **Foreign Application Priority Data**

Jan. 4, 2019 (KR) 30-2019-0000622

(51) **LOC (13) Cl.** **14-03**

(52) **U.S. Cl.**
USPC **D14/239; D14/127**

(58) **Field of Classification Search**
USPC ... D14/125-137, 133 AA, 138 AB, 138 AC,
D14/138 AD, 138 C, 138 G, 138 R, 147,
(Continued)

(56) **References Cited**

U.S. PATENT DOCUMENTS

D600,233 S * 9/2009 Birsel D14/127
D633,454 S * 3/2011 Mitsubishi D14/126
(Continued)

FOREIGN PATENT DOCUMENTS

CN 201030271279 3/2011
EM 002883066-0001 12/2015
(Continued)

OTHER PUBLICATIONS

Samsung's Modular TV, first available Jan. 12, 2016, aiclarke.com, [online], [site visited Dec. 10, 2020], Available from internet URL: aiclarke.com/2016/01/12/samsungs-modular-tv-the-future-of-your-home-viewing-experience/ (Year: 2016).*

(Continued)

Primary Examiner — Samantha Q Lawrence

Assistant Examiner — Holly M Rodriguez

(74) *Attorney, Agent, or Firm* — NSIP Law

(57) **CLAIM**

We claim the ornamental design for a modular display, as shown and described.

DESCRIPTION

FIG. 1 is a front perspective view of a modular display showing our new design;

FIG. 2 is a front view thereof;

FIG. 3 is a rear view thereof;

FIG. 4 is a left-side view thereof;

FIG. 5 is a right-side view thereof;

FIG. 6 is a top view thereof;

FIG. 7 is a bottom view thereof;

FIG. 8 is an enlarged view of the encircled portion in FIG. 1;

FIG. 9 is an enlarged view of the encircled portion in FIG. 4; and,

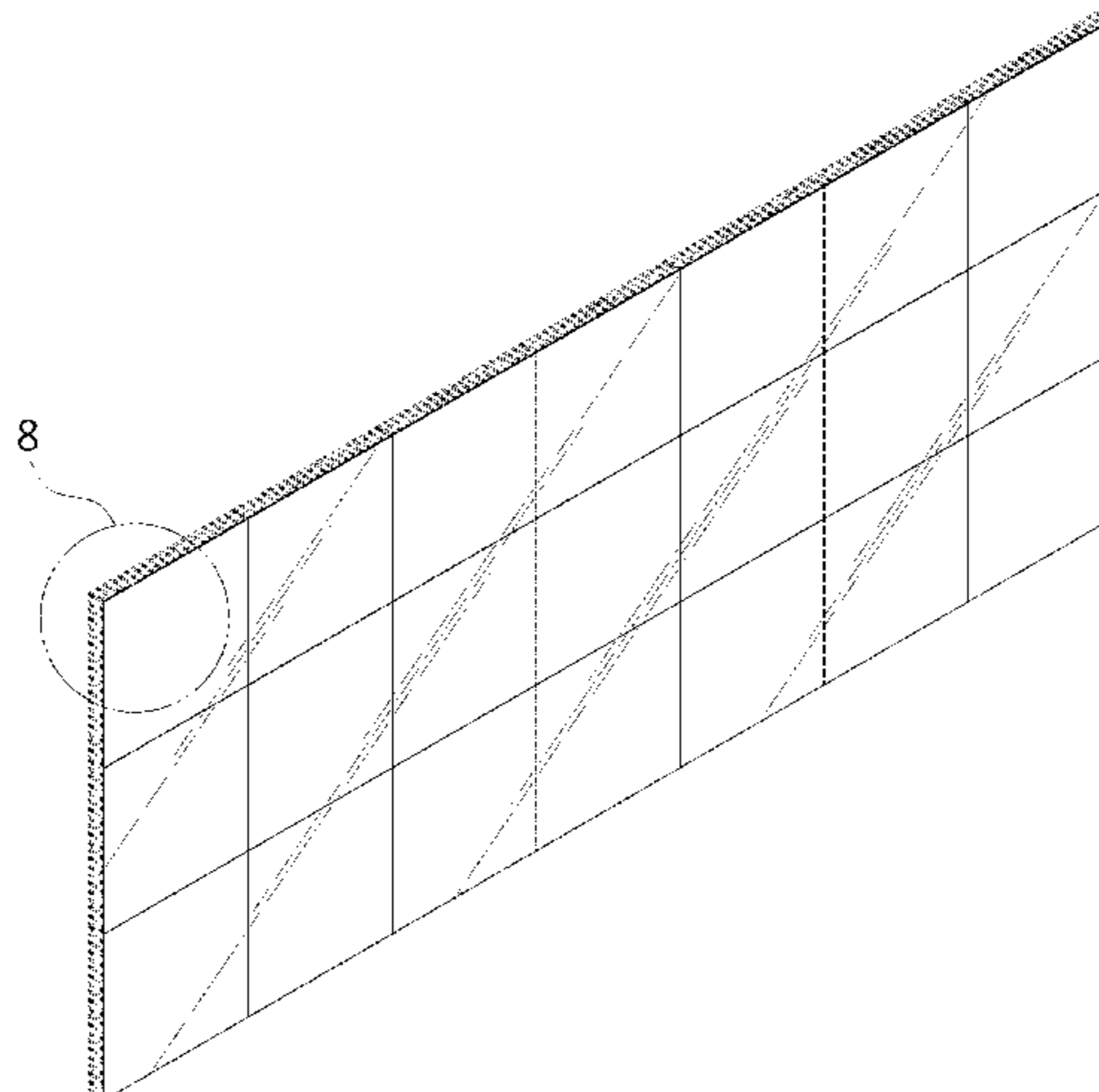
FIG. 10 is a front view thereof illustrating a state of use, in which the display feature is turned on and example contents are displayed thereon.

The dash-dash broken lines in the figures depict environmental structure and portions of the article which form no part of the claimed design.

The dot-dot-dash broken lines encircling portions of the claimed design that are illustrated in enlargements form no part of the claimed design.

Although lines between each unit may be visible when the display screen is turned off, those lines are not visible when

(Continued)



the display screen is turned on, as shown in FIG. 10, because of the brightness of the screen during its intended use.

1 Claim, 8 Drawing Sheets

(58) **Field of Classification Search**

USPC D14/203.3–203.8, 218, 239, 240, 247, D14/248, 315–318, 341–347, 371, 374, D14/388–389, 420, 426, 496, 451; D25/138, 140–144, 103; D6/300–314; D13/101–103, 118–119, 184, 199; D12/106
 CPC ... G06F 1/1613; G06F 1/1626; G06G 3/0488; G06G 3/04886; H04M 1/725; H04M 1/0202; H04M 1/0266; Y02B 10/102; H02S 30/10; H02S 20/04; H02S 40/38; Y02E 10/50; Y02E 10/544; H01L 31/042; H01L 31/048; H01L 31/02008

See application file for complete search history.

(56) **References Cited**

U.S. PATENT DOCUMENTS

D645,467 S *	9/2011	Mitsubishi	D14/374
D647,106 S	10/2011	Akana et al.		
D658,094 S	4/2012	Dunn		
D664,955 S *	8/2012	Kim	D14/341
D681,263 S	4/2013	Eekeren et al.		
8,587,187 B2 *	11/2013	Cho	G09F 13/04 313/116
D750,173 S	2/2016	Chen		
9,629,261 B2 *	4/2017	Du	G02F 1/13336
D786,811 S	5/2017	Zheng et al.		
9,671,824 B2 *	6/2017	Mundrake	G06F 1/1601
D804,712 S	12/2017	Cai et al.		
D816,673 S *	5/2018	Lim	D14/374
D817,903 S *	5/2018	Won	D14/126
D817,906 S *	5/2018	Kim	D14/126
10,009,589 B2 *	6/2018	Wu	G09F 13/00
10,273,994 B1 *	4/2019	Foster	G09F 9/3026
10,699,674 B2 *	6/2020	Jeong	G09G 3/3208
10,751,953 B2 *	8/2020	Han	B29C 59/02

10,834,832 B2 *	11/2020	Mori	H05K 5/023
10,848,750 B2 *	11/2020	Kwon	G09G 3/003
2005/0111211 A1 *	5/2005	Takeuchi	H01L 27/3293 362/84
2009/0021127 A1 *	1/2009	Miller	H05K 7/183 312/223.5
2020/0375041 A1 *	11/2020	Lee	F16M 13/02

FOREIGN PATENT DOCUMENTS

EM	003141100-0001	5/2016
EM	003566926-0001	1/2017
JP	D1672524	* 10/2020
KR	30-2009-0011057	10/2010
KR	30-2011-0027252	11/2011
KR	30-2007-0028349	9/2017

OTHER PUBLICATIONS

Sharp PN-V600A 60" Widescreen, officewonderland.co, [online], [site visited Dec. 10, 2020], Available from internet URL: https://officewonderland.com/listings/sharp-pn-v600a-60-widescreen-led-backlight-lcd-dis/?gclid=EAIaIQobChMlhZXL_LfD7QIVxcqGCh0FIA6YEAQYCCABEgKUNfD_BwE (Year: 2020).*

Lots Mirror, first available May 5, 2015, www.ikea.com, [online], [site visited Dec. 10, 2020], Available from internet URL: <https://www.ikea.com/us/en/p/lots-mirror-39151700/> (Year: 2015).*

“E Series” [2019] www.focono.com Jul. 2, 2019 <https://www.focono.com/ledxs/info_12.aspx?itemid=1825>.

“LED P4/P5/P6.66/P8/P10 Outdoor Display” [2019] www.cetechusa.com Jul. 2, 2019 <<http://www.cetechusa.com/product/147.html>>.

Flynn, Conner. “Samsung announces LED square display.” [2012] www.geeky-gadgets.com Aug. 27, 2012 <<https://www.geeky-gadgets.com/samsung-announces-led-square-display-27/08/2012/>>.

“Hello World!” [2014] www.blog.naver.com Mar. 28, 2014. <<https://blog.naver.com/helloworld0x/150187718808>>.

“Announcing the 42.1 inch Square LCD Monitor with Touch” [2018] www.crystal-display.com Jul. 23, 2018 <<http://crystal-display.com/announcing-the-42-1-inch-square-lcd-monitor-with-touch/>>.

“Fine Pitch LED Display” [2019] www.led-display-manufacturer.com Jul. 3, 2019 <<http://www.led-display-manufacturer.com/product/fine-pitch-led-display/>>.

* cited by examiner

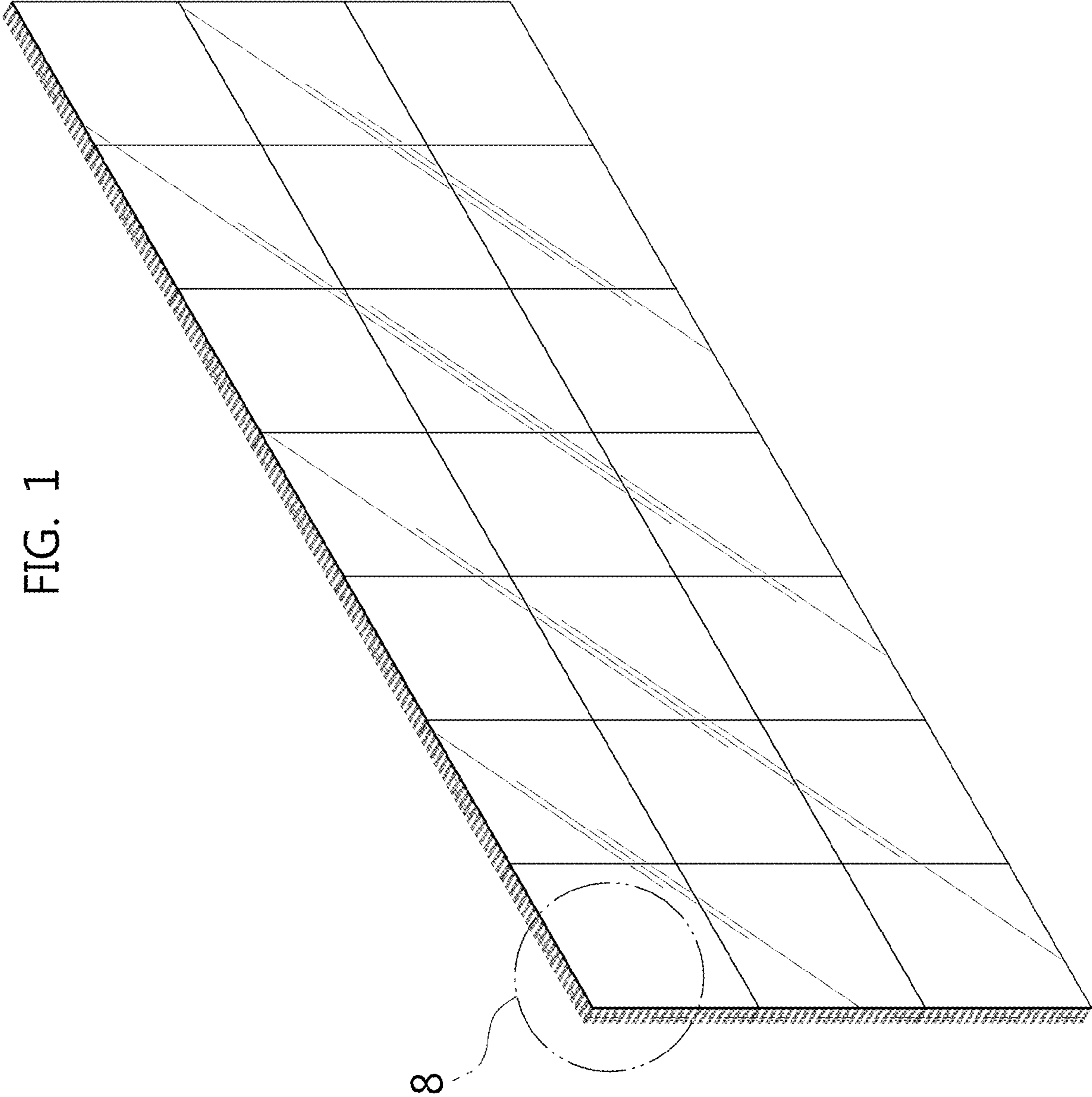


FIG. 2

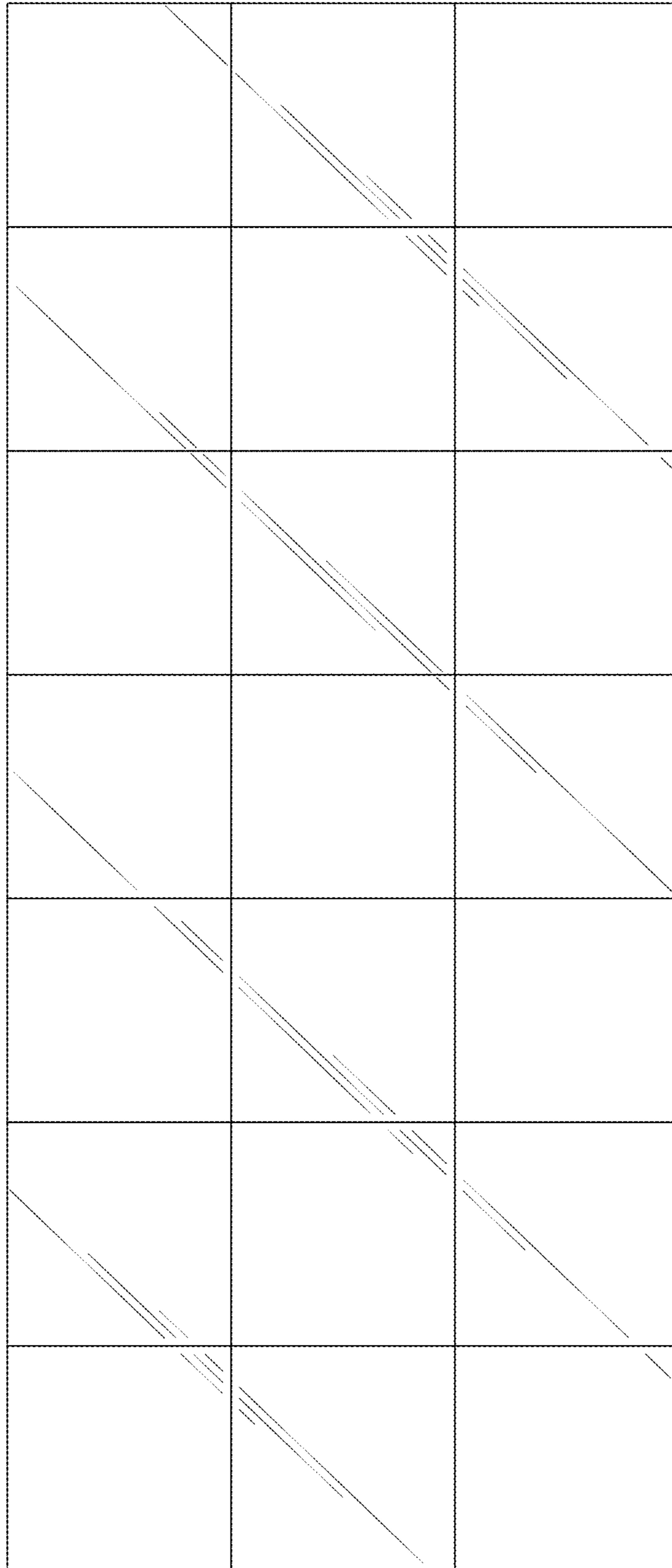


FIG. 3

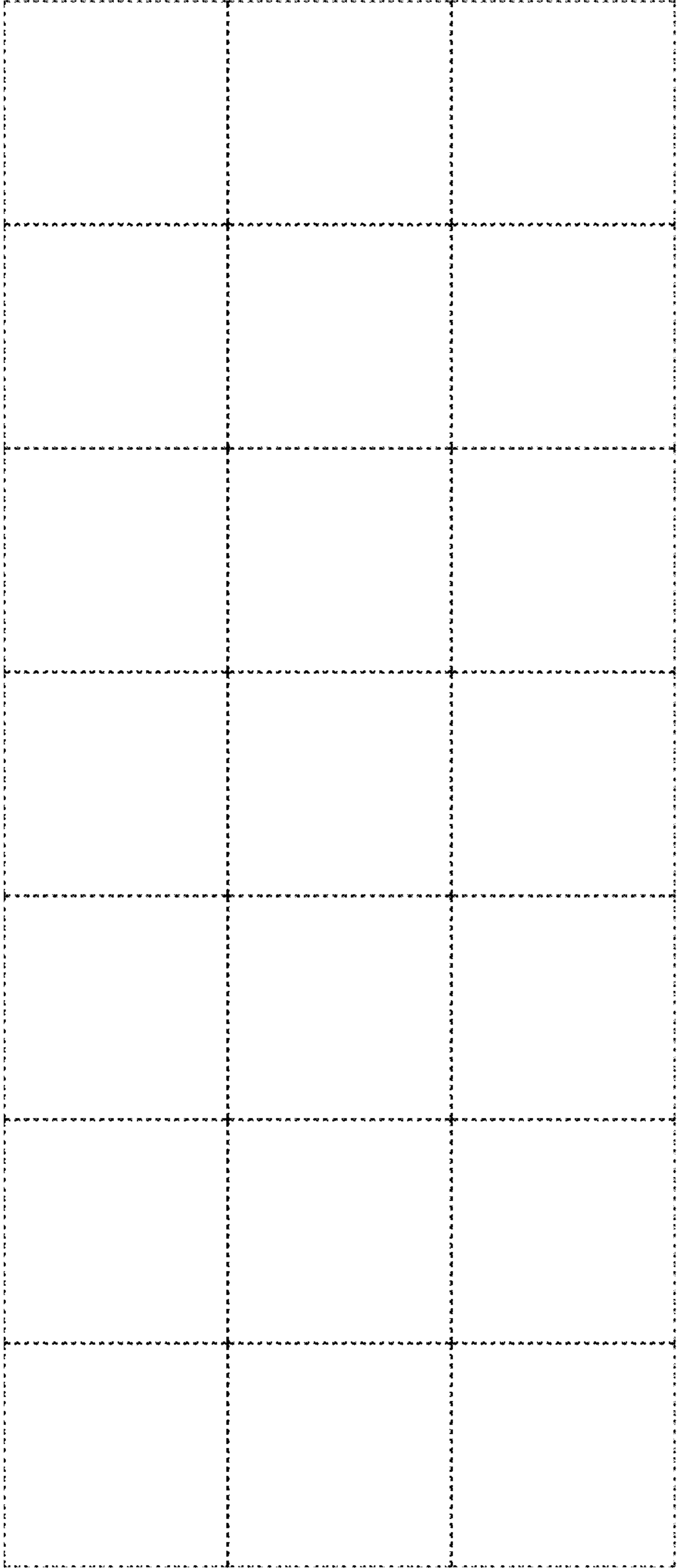


FIG. 5

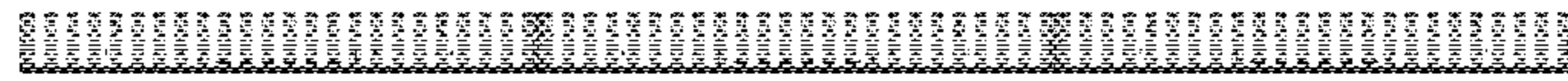


FIG. 4

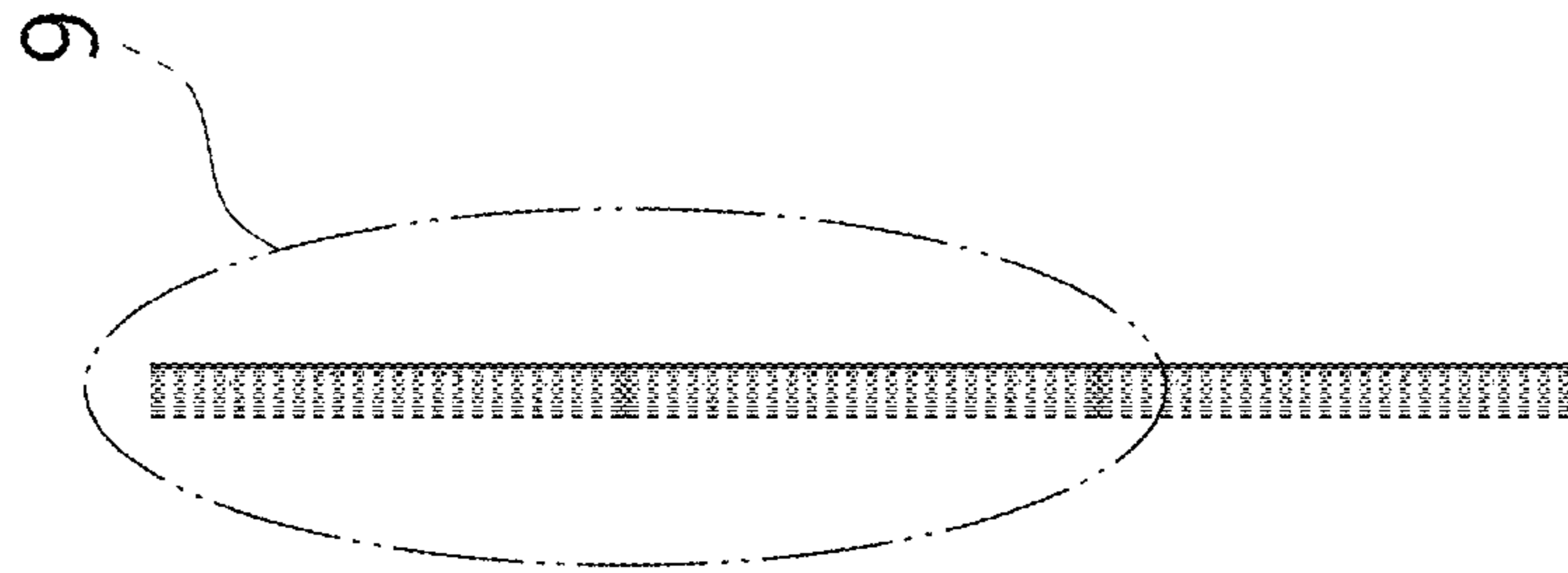


FIG. 6

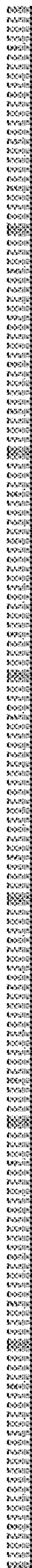


FIG. 7

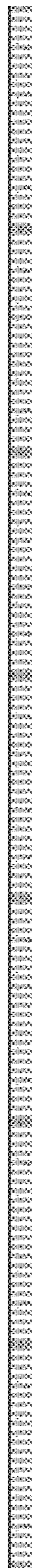


FIG. 8

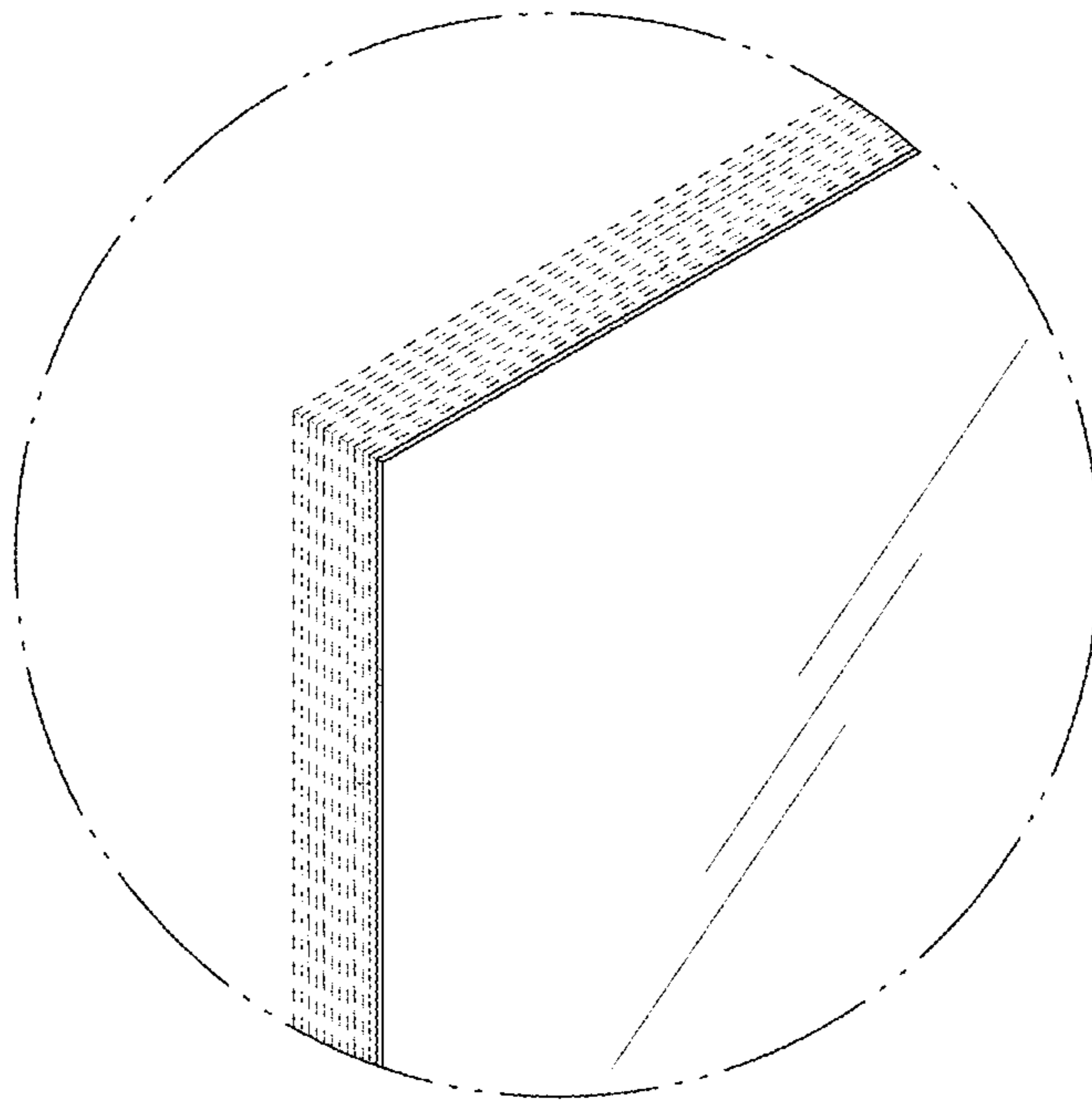


FIG. 9

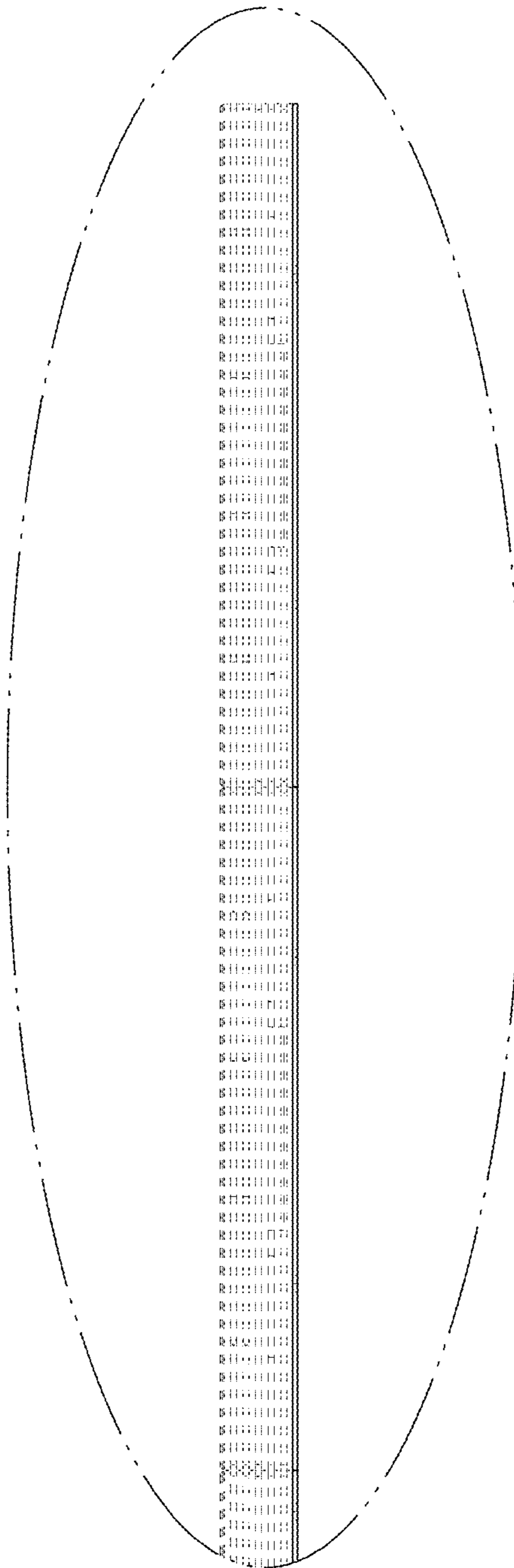


FIG. 10

