



US00D931258S

(12) **United States Design Patent**
Ding

(10) **Patent No.:** **US D931,258 S**

(45) **Date of Patent:** **** Sep. 21, 2021**

(54) **COMBINATION OF EARPHONES AND CASE**

(71) Applicant: **SHENZHEN ZIJIANG PLASTIC MOULD CO., LTD.**, Shenzhen (CN)

(72) Inventor: **Xisan Ding**, Shenzhen (CN)

(73) Assignee: **SHENZHEN ZIJIANG PLASTIC MOULD CO., LTD.**, Shenzhen (CN)

(**) Term: **15 Years**

(21) Appl. No.: **29/731,425**

(22) Filed: **Apr. 15, 2020**

(51) **LOC (13) Cl.** **14-01**

(52) **U.S. Cl.**
USPC **D14/223; D3/274**

(58) **Field of Classification Search**
USPC ... D14/205, 207, 217, 221, 223, 224, 224.1, D14/225, 440; D24/173, 174; D3/201, D3/273, 274, 294, 295; D13/108
(Continued)

(56) **References Cited**

U.S. PATENT DOCUMENTS

D826,152 S * 8/2018 Christiansen D13/108
D841,580 S * 2/2019 Bao D13/108
(Continued)

FOREIGN PATENT DOCUMENTS

EM 007490461-0001 * 1/2020
EM 008280168-0001 * 11/2020
(Continued)

OTHER PUBLICATIONS

How to charge your AirPods Pro wirelessly or with the cable, announced Feb. 12, 2020 [online], retrieved Feb. 23, 2021, retrieved from internet, <https://appletoolbox.com/how-to-charge-your-airpods-pro-wirelessly-or-with-the-cable/>.*

(Continued)

Primary Examiner — Dana K Weiland

Assistant Examiner — Messina L Smith

(74) *Attorney, Agent, or Firm* — Li & Cai Intellectual Property (USA) Office

(57) **CLAIM**

The ornamental design for a combination of earphones and case, as shown and described.

DESCRIPTION

FIG. 1 is an exploded top, front, and left side perspective view of a combination of earphones and case showing my new design;

FIG. 2 is a top, front, and left side perspective view of the combination of earphones and case, shown in a closed configuration;

FIG. 3 is a front elevational view thereof;

FIG. 4 is a rear elevational view thereof;

FIG. 5 is a left side elevational view thereof;

FIG. 6 is a right side elevational view thereof;

FIG. 7 is a top plan view thereof;

FIG. 8 is a bottom plan view thereof;

FIG. 9 is a top, front, left side perspective view of the case of the combination of earphones and case, shown in an open configuration, shown separately to show aspects of the design that are not visible when combined;

FIG. 10 is a front elevational view thereof;

FIG. 11 is a top plan view thereof;

FIG. 12 is a cross-sectional view thereof taken in the direction of line 12-12 in FIG. 11;

FIG. 13 is a front perspective view of the earphones of the combination of earphones and case, shown separately to show aspects of the design that are not visible when combined;

FIG. 14 is a front elevational view thereof;

FIG. 15 is a rear elevational view thereof;

FIG. 16 is a left side elevational view thereof;

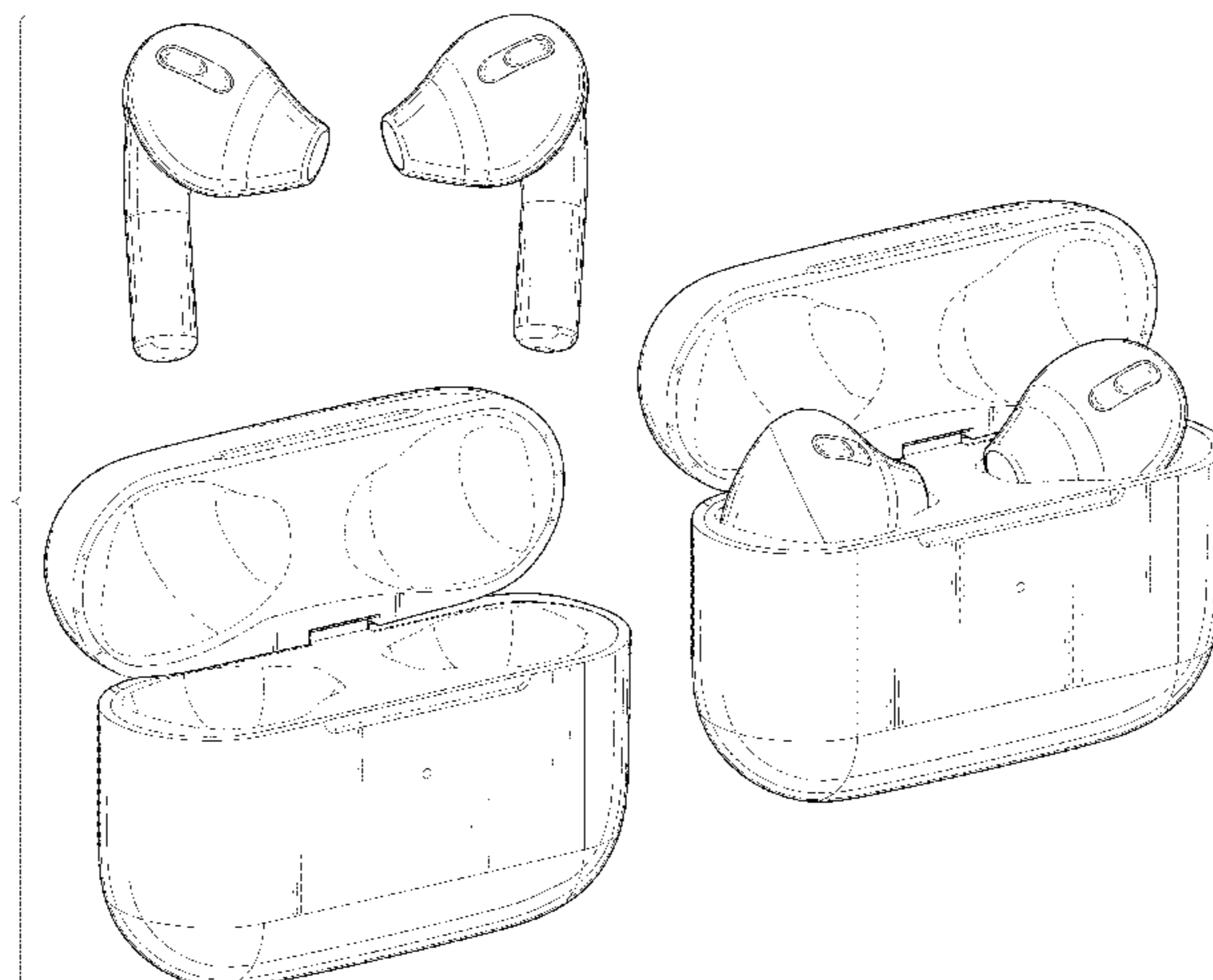
FIG. 17 is a right side elevational view thereof;

FIG. 18 is a top plan view thereof;

FIG. 19 is a bottom plan view; and,

FIG. 20 is a top, front, and left side perspective view of the combination of earphones and case, shown with the earphones inside the case.

(Continued)



The broken lines in the drawing depict portions of the combination of earphones and case that form no part of the claimed design.

The cross-hatching in FIG. 12 forms no part of the claimed design.

1 Claim, 20 Drawing Sheets

(58) Field of Classification Search

CPC H04R 1/10; H04R 1/1016; H04R 1/1066;
H04R 1/105; H04R 1/1033; H04R 1/08;
H04R 5/033; H04R 5/0335; H04R 25/00

See application file for complete search history.

(56) References Cited

U.S. PATENT DOCUMENTS

D849,401	S	*	5/2019	Akana	D3/274
D878,045	S	*	3/2020	Akana	D3/274
D882,259	S	*	4/2020	Liu	D3/269
D888,408	S	*	6/2020	Lee	D3/201
D897,678	S	*	10/2020	Koh	D3/294
D897,997	S	*	10/2020	Zhang	D14/223
D902,588	S	*	11/2020	Zhang	D3/294
D903,639	S	*	12/2020	Yang	D14/223
D904,023	S	*	12/2020	Wang	D3/294
D904,025	S	*	12/2020	Ma	D3/295
D904,351	S	*	12/2020	Zhang	D14/223
D905,017	S	*	12/2020	Chen	D14/223
D905,019	S	*	12/2020	Liu	D14/223
D905,430	S	*	12/2020	Kwak	D3/273
D906,238	S	*	12/2020	Zhang	D13/108
D906,297	S	*	12/2020	Akana	D14/223
D906,299	S	*	12/2020	Luo	D14/223
D907,008	S	*	1/2021	Yao	D14/223
D907,009	S	*	1/2021	Akana	D14/223
D907,010	S	*	1/2021	Akana	D14/223
D907,049	S	*	1/2021	Yu	D14/440
D908,345	S	*	1/2021	He	D3/201

D908,665	S	*	1/2021	Wen	D14/223
D909,347	S	*	2/2021	Akana	D14/223
D910,600	S	*	2/2021	Zhang	D14/223
2018/0064224	A1	*	3/2018	Brzezinski	H02J 7/025
2018/0091965	A1	*	3/2018	Watson	H04W 4/80
2019/0069066	A1	*	2/2019	Song	H04R 1/1041
2020/0084532	A1	*	3/2020	Lo	H02J 7/342
2020/0107098	A1	*	4/2020	DiFonzo	C22C 33/0285
2020/0252715	A1	*	8/2020	Zhou	H04R 1/1016
2020/0304898	A1	*	9/2020	Cohen	H04R 1/1016

FOREIGN PATENT DOCUMENTS

EM	008312359-0001	*	12/2020
KR	301045434.0000	*	2/2020

OTHER PUBLICATIONS

TWS Wireless Bluetooth 5.0 Earphones Charging Case, announced © 2021 [online], retrieved Feb. 23, 2021, retrieved from internet, <https://www.daraz.pk/products/tws-wireless-bluetooth-50-earphones-charging-case-led-display-waterproof-earphone-auto-pairing-transmission-distance-i154138691.html>.*

AirPods Pro, announced © 2021 [online], retrieved Feb. 23, 2021, retrieved from internet, <https://www.apple.com/shop/product/MWP22AM/A/airpods-pro>.*

Bluetooth 5.0 Headphones, announced © 2021 [online], retrieved Feb. 23, 2021, retrieved from internet, <https://www.walmart.com/ip/Bluetooth-5-0-Headphones-True-Wireless-Earbuds-LCD-Display-Charging-Case-iPhone-Android-40H-Cyclic-Playtime-IPX7-Waterproof-TWS-Stereo-Earpiece-mic-i/450320847>.*

Wireless Earbuds Bluetooth Earphones, announced Sep. 26, 2020 [online], retrieved Feb. 23, 2021, retrieved from internet, https://www.gearbest.com/bluetooth-headphones/pp_3006727596558128.html.*

Wireless Earbuds, announced Feb. 12, 2020 [online], retrieved Oct. 21, 2020, retrieved from internet, https://www.amazon.com/Bluetooth-Headphones-VEATOOL-Waterproof-Microphone/dp/B08LKXBHX9/ref=sr_1_5?dchild=1&keywords=wireless+earbuds+with+charging+case&qid=1614110034&sr=8-5.*

* cited by examiner

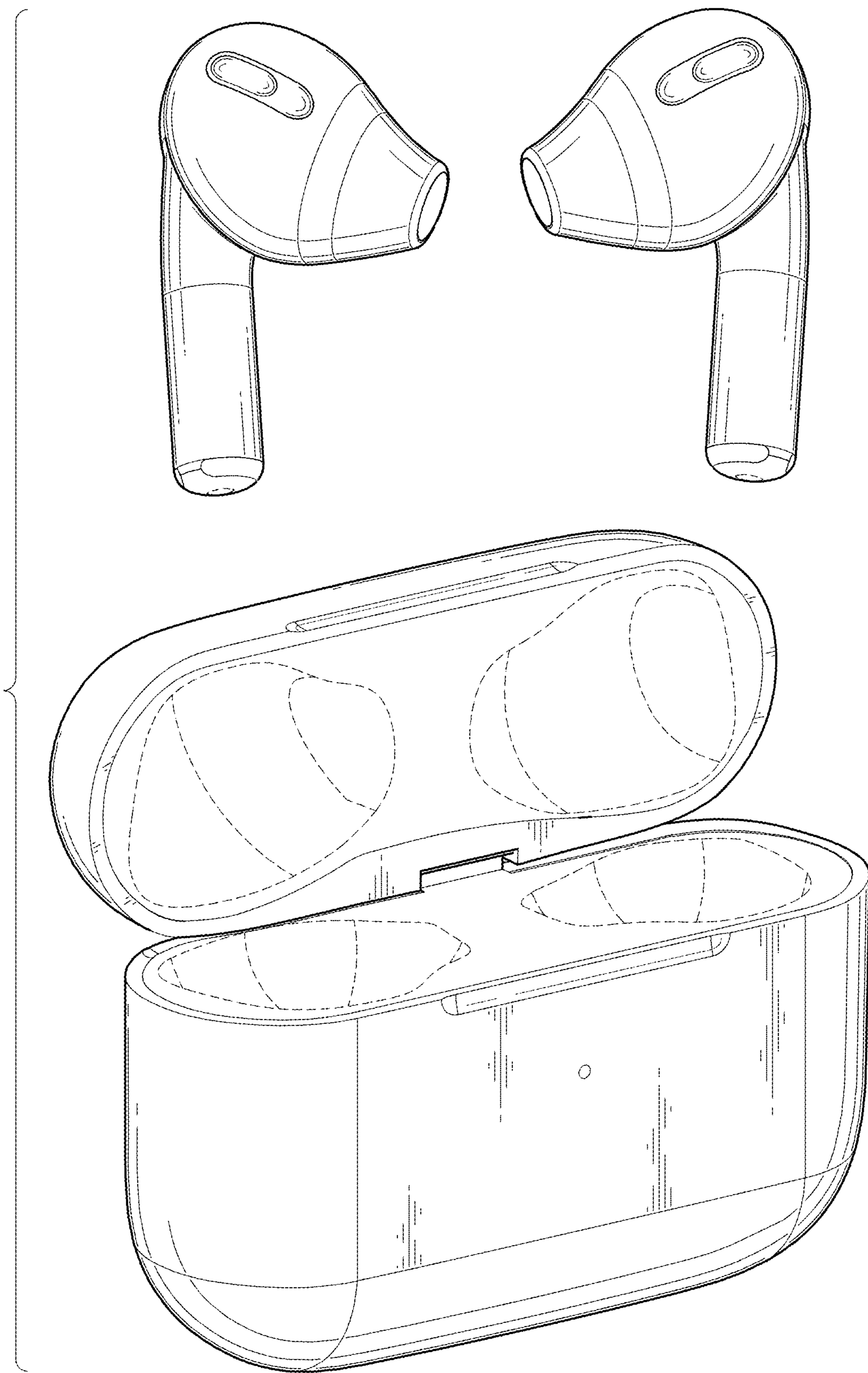


FIG. 1

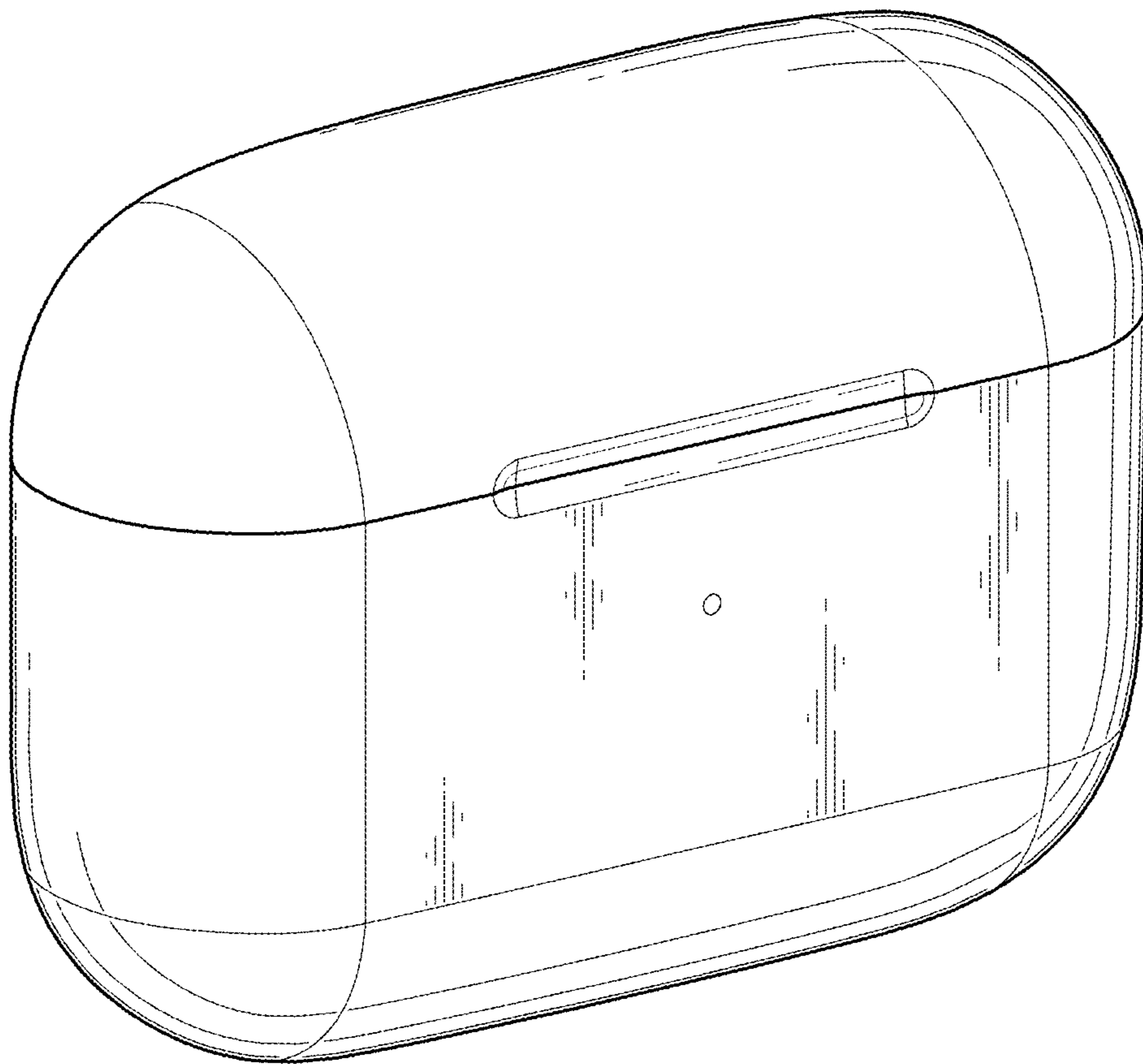


FIG. 2

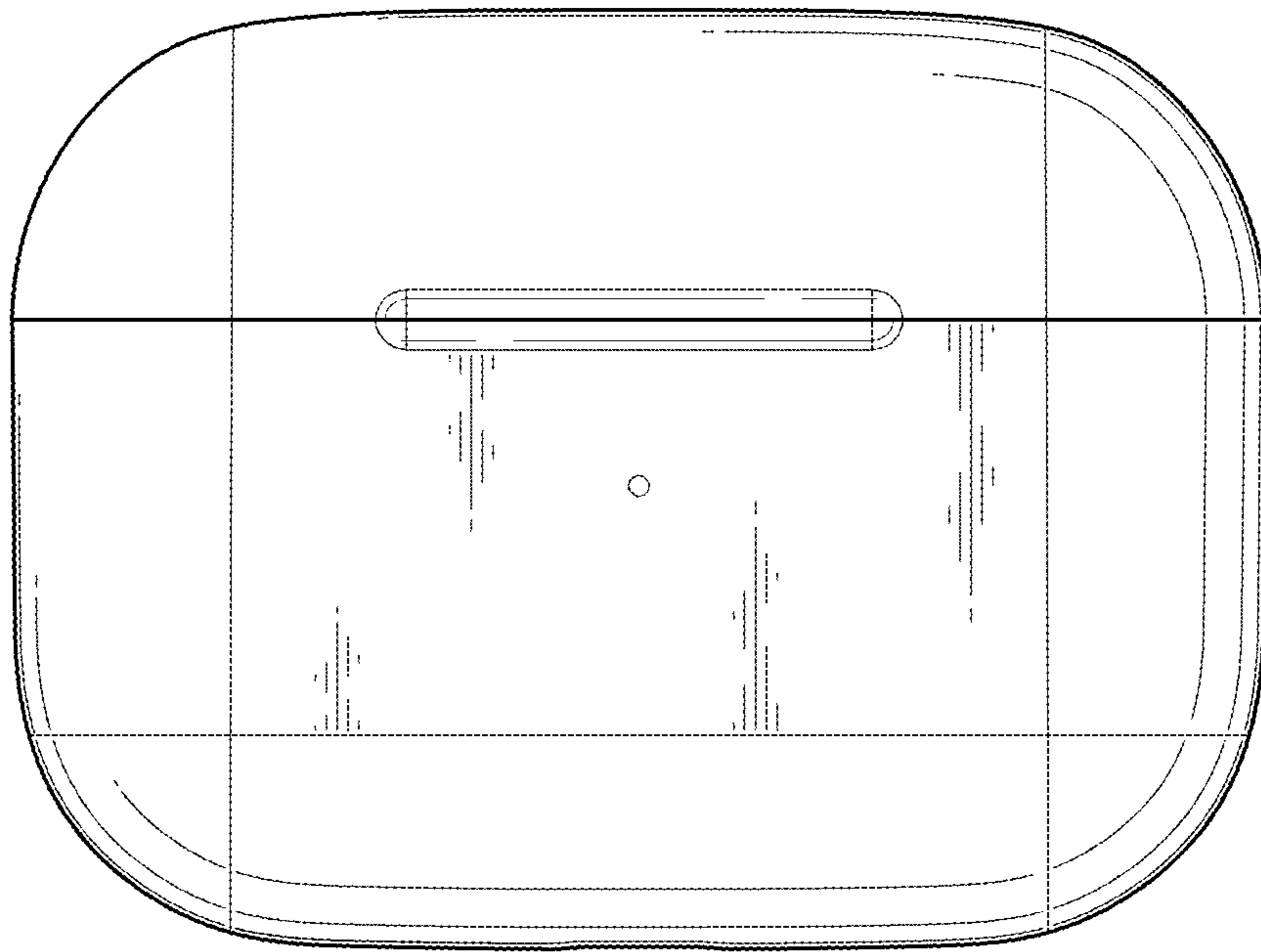


FIG. 3

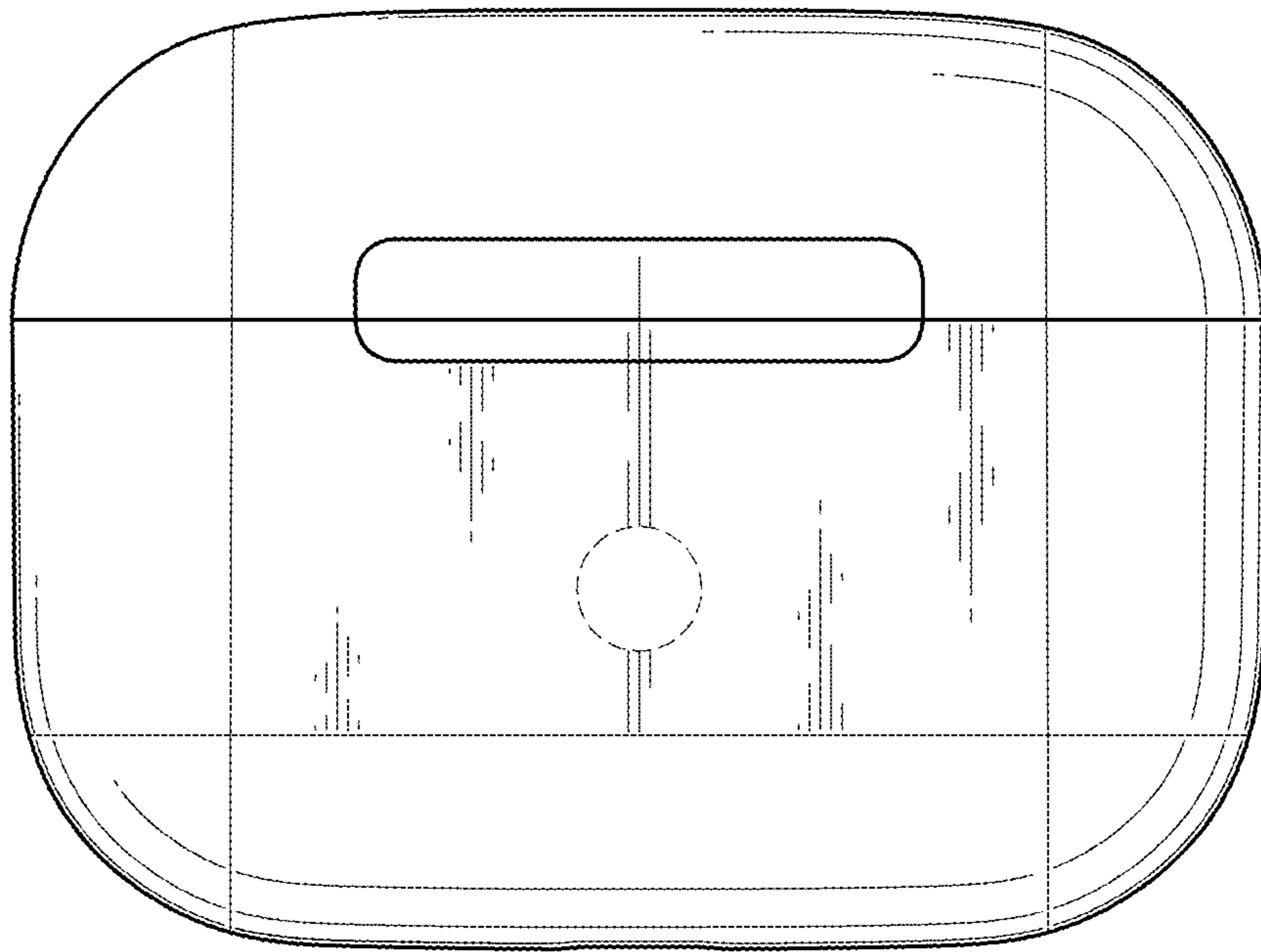


FIG. 4

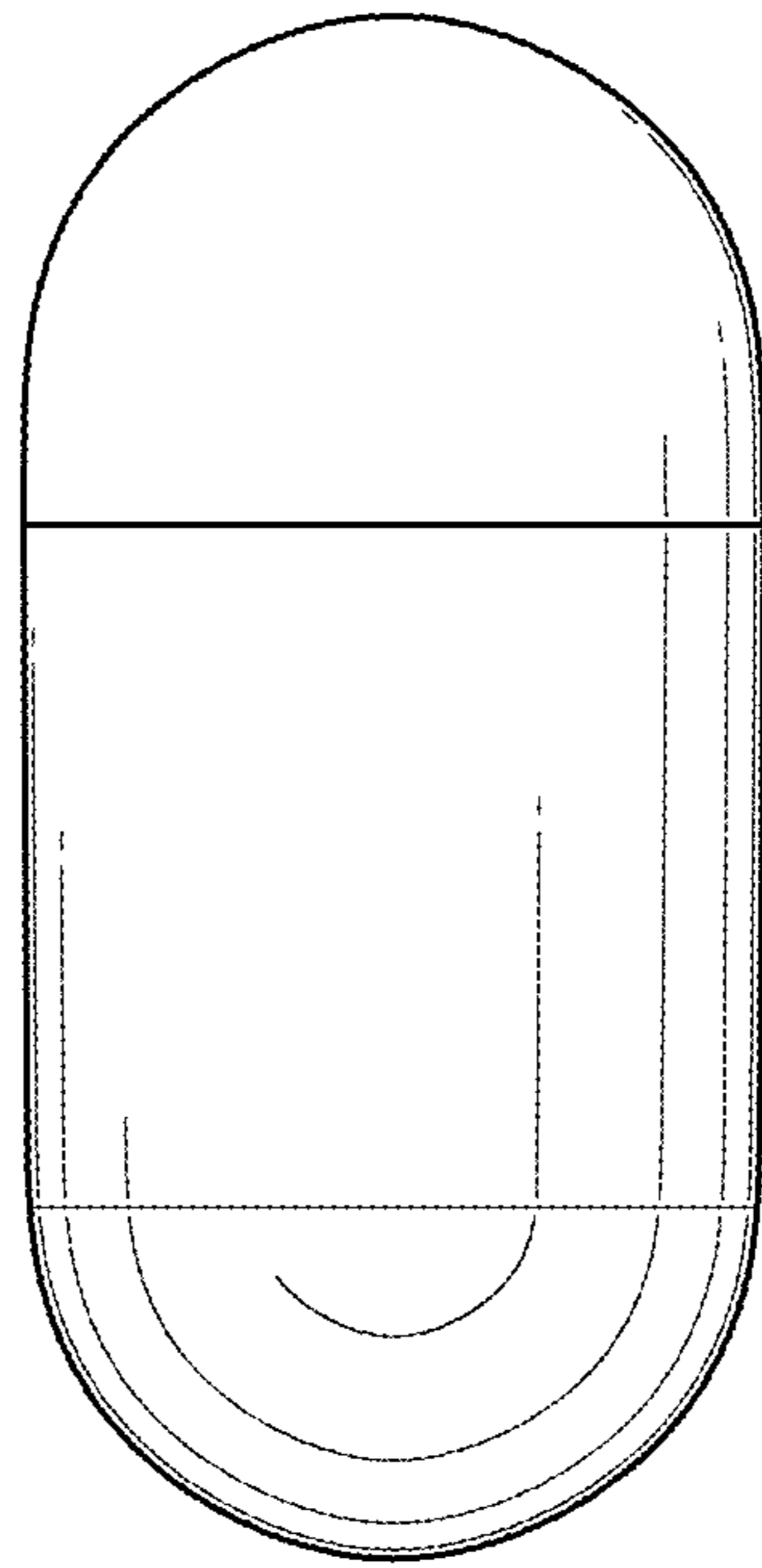


FIG. 5

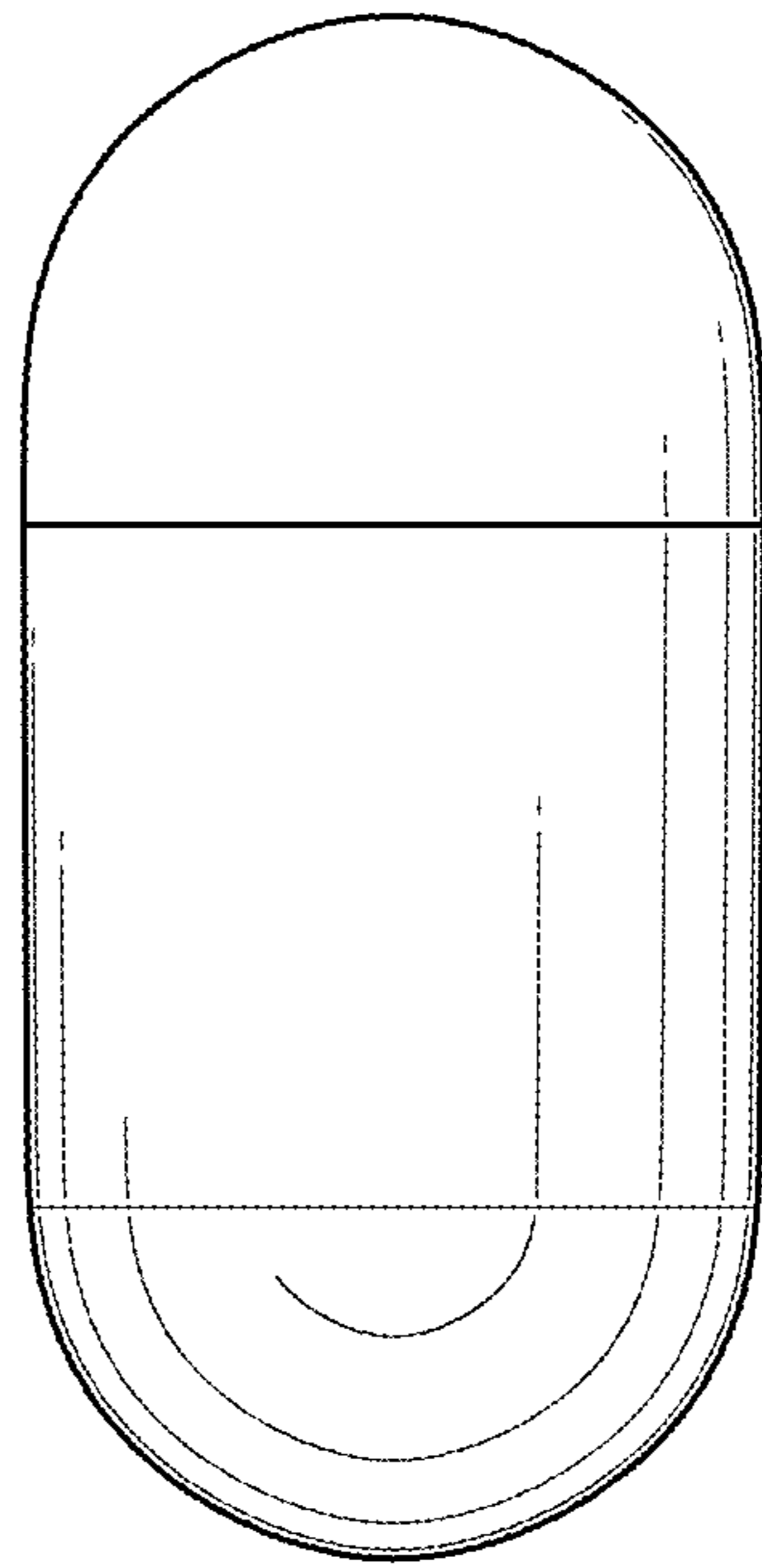


FIG. 6

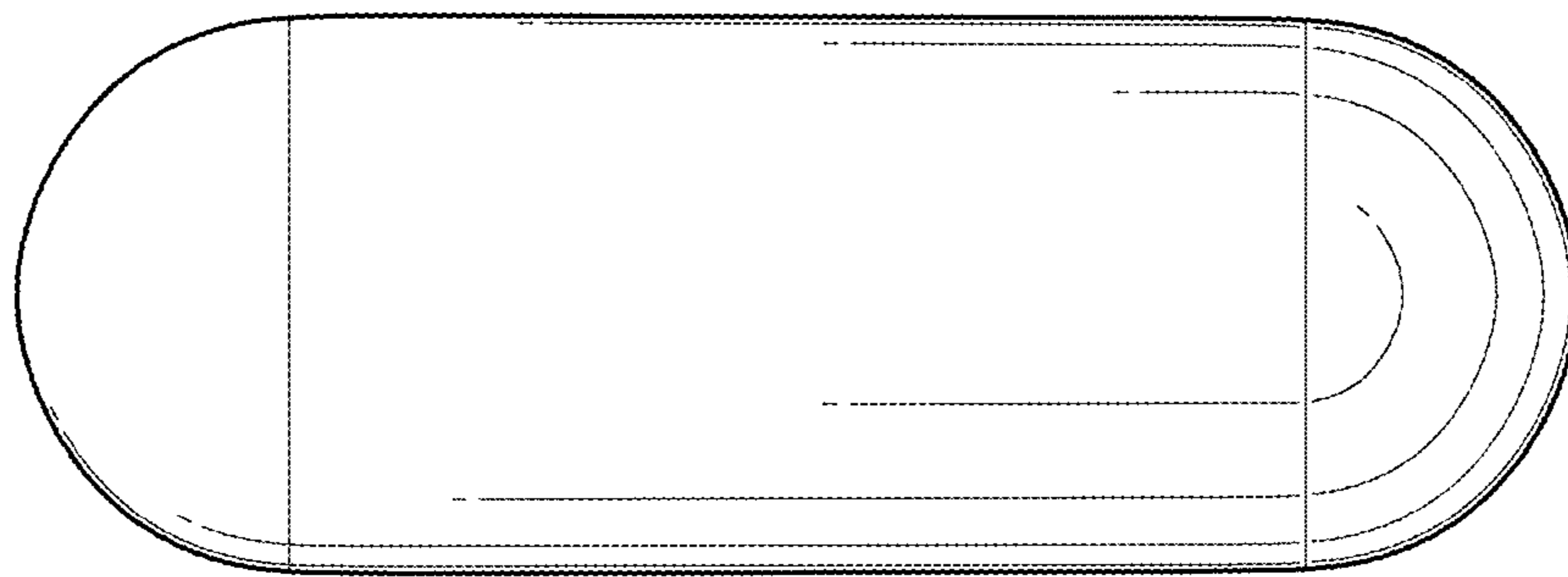


FIG. 7

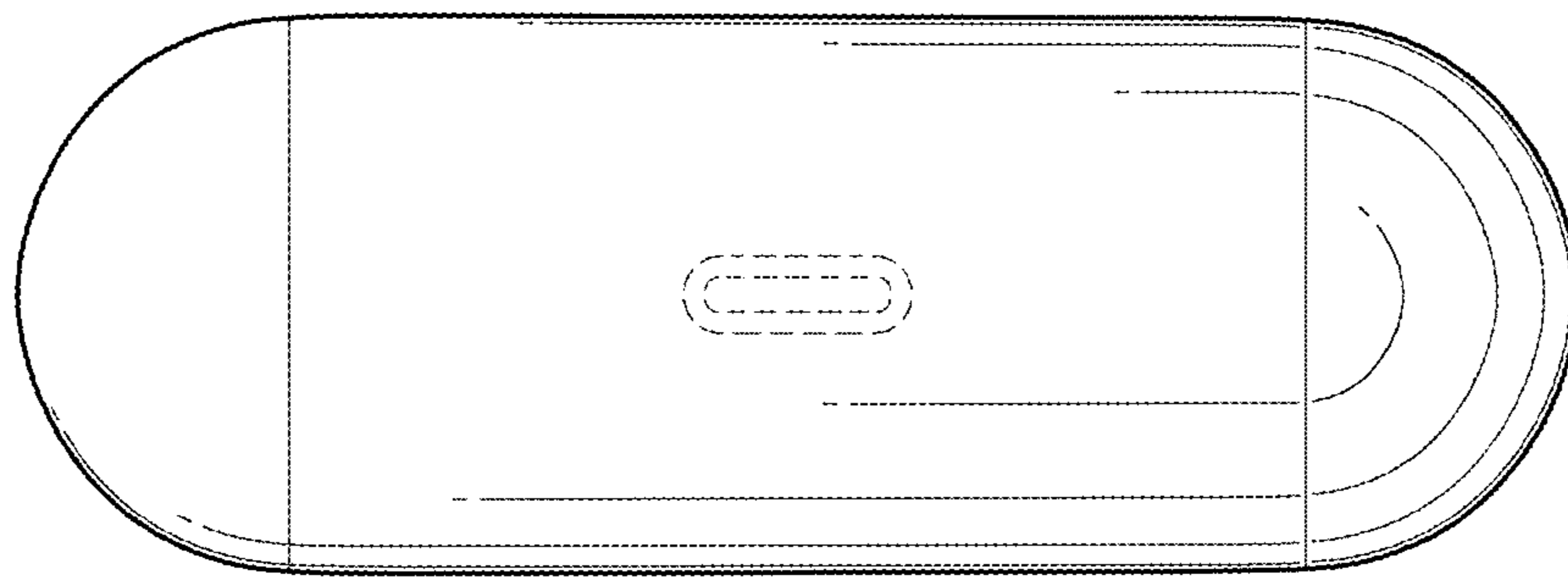


FIG. 8

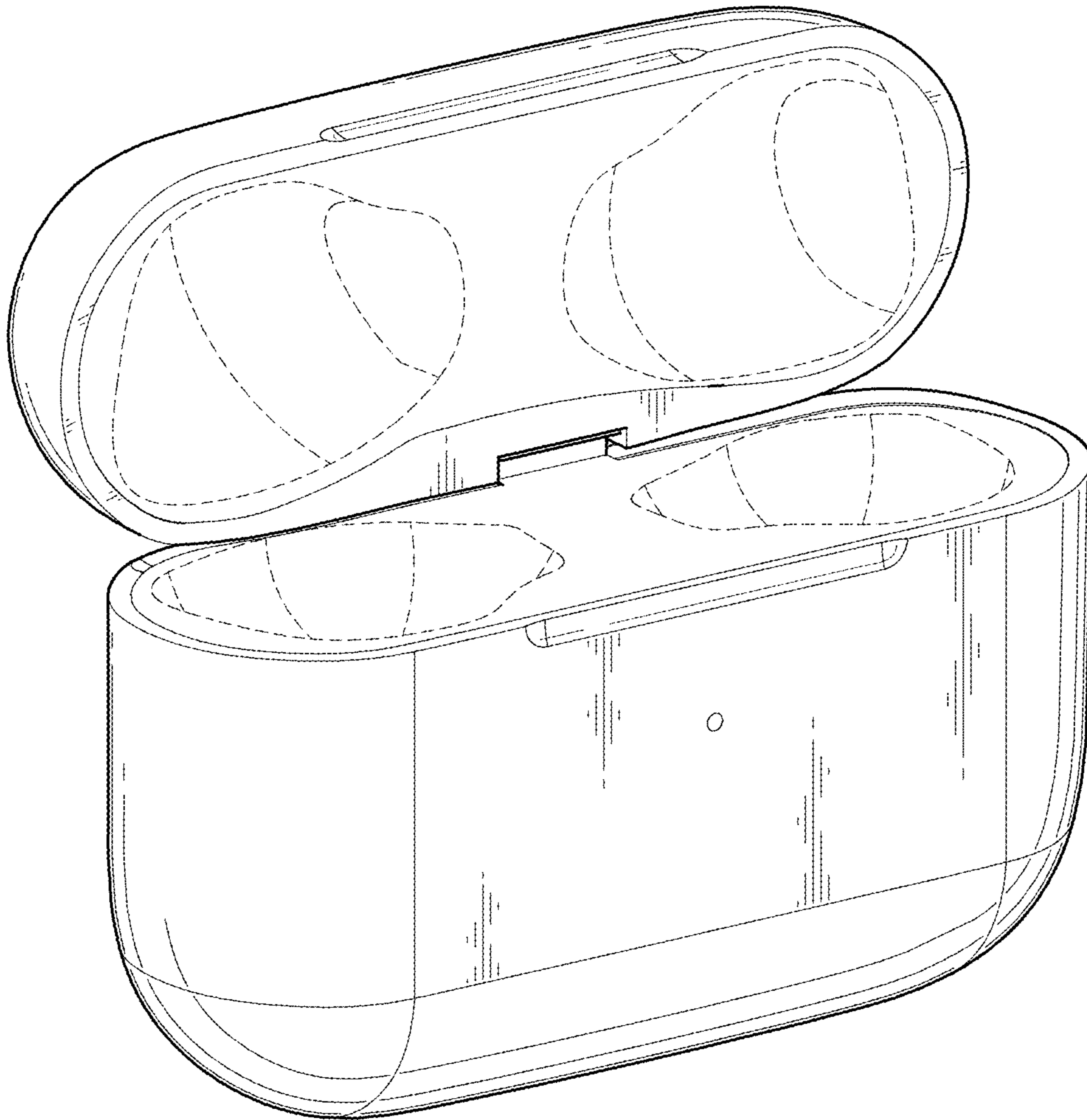


FIG. 9

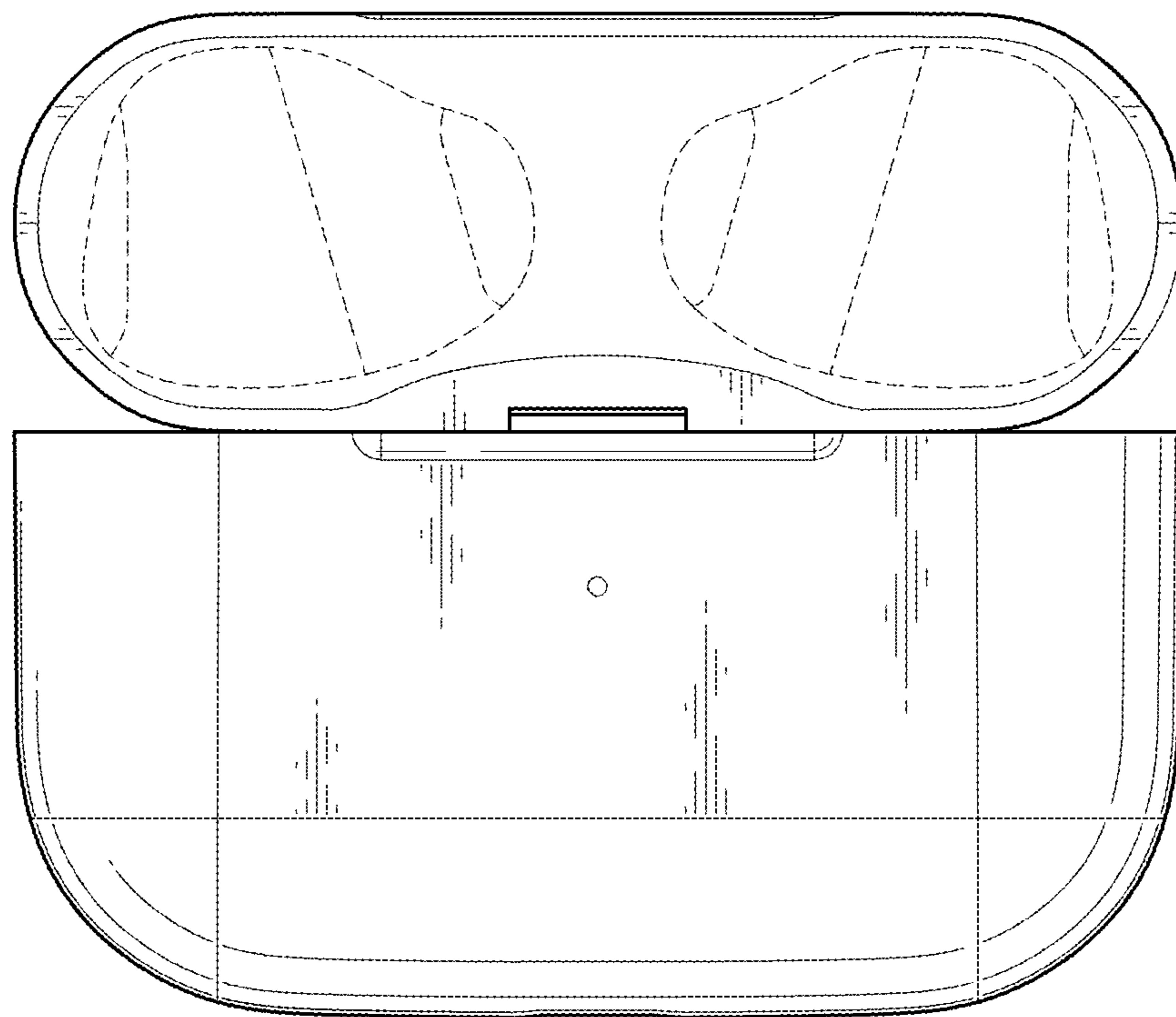


FIG. 10

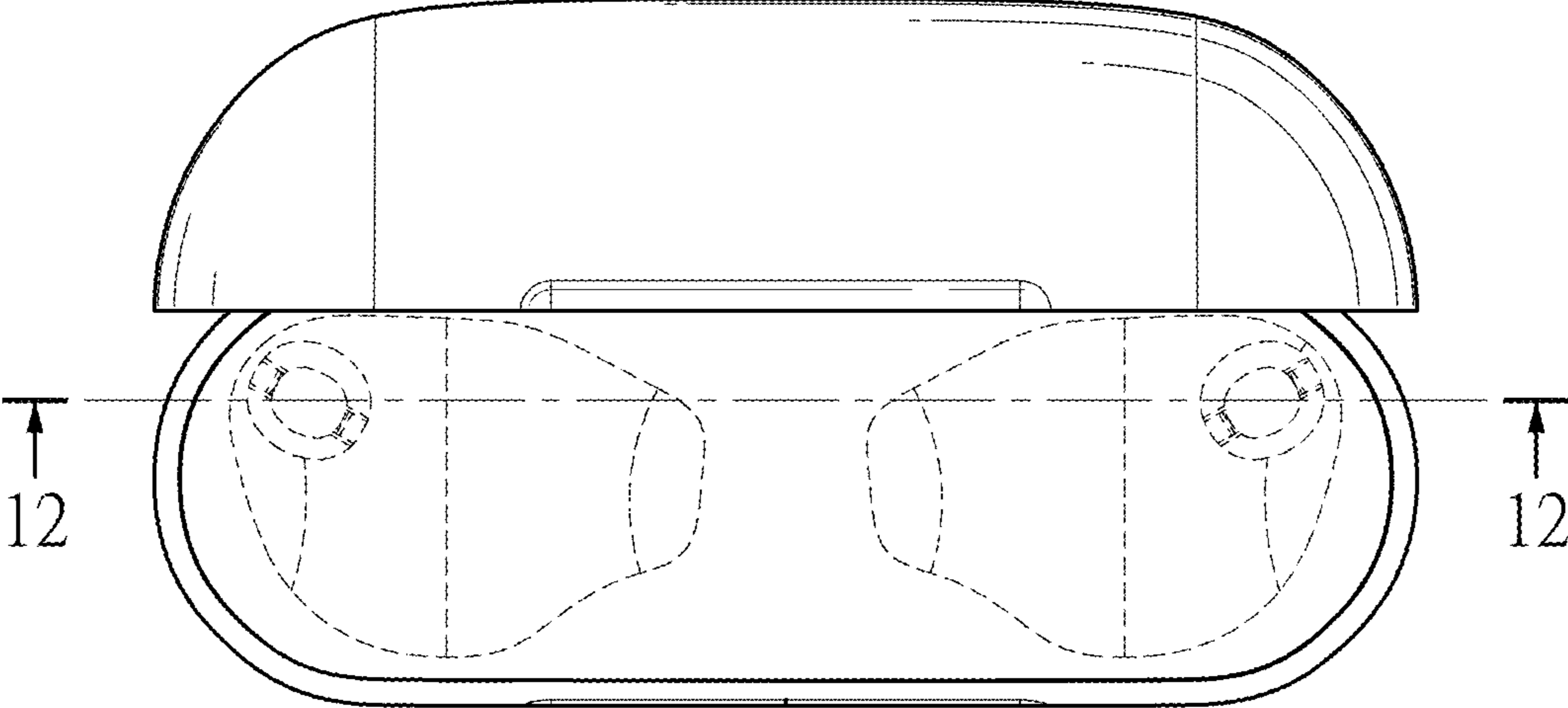


FIG. 11

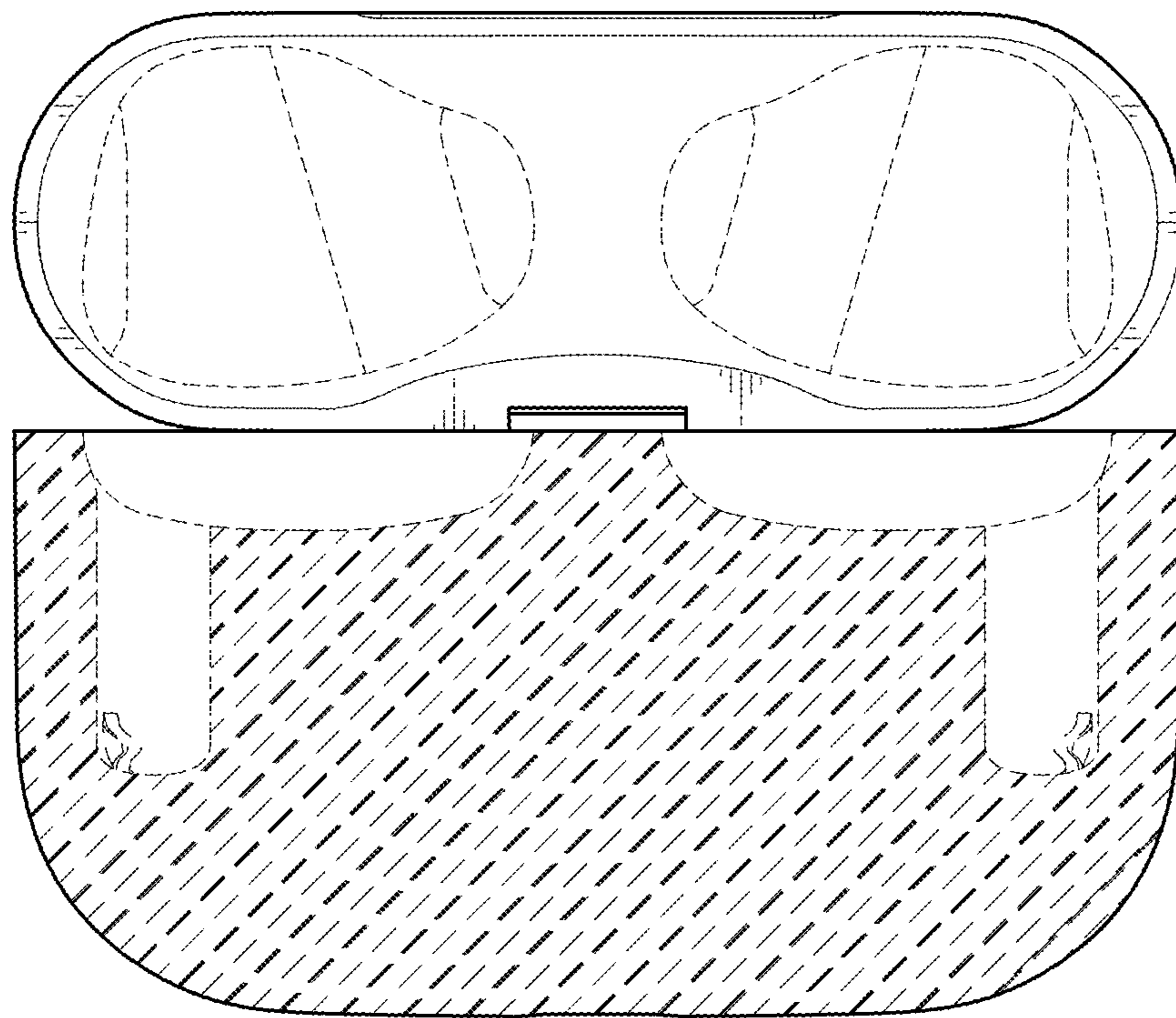


FIG. 12

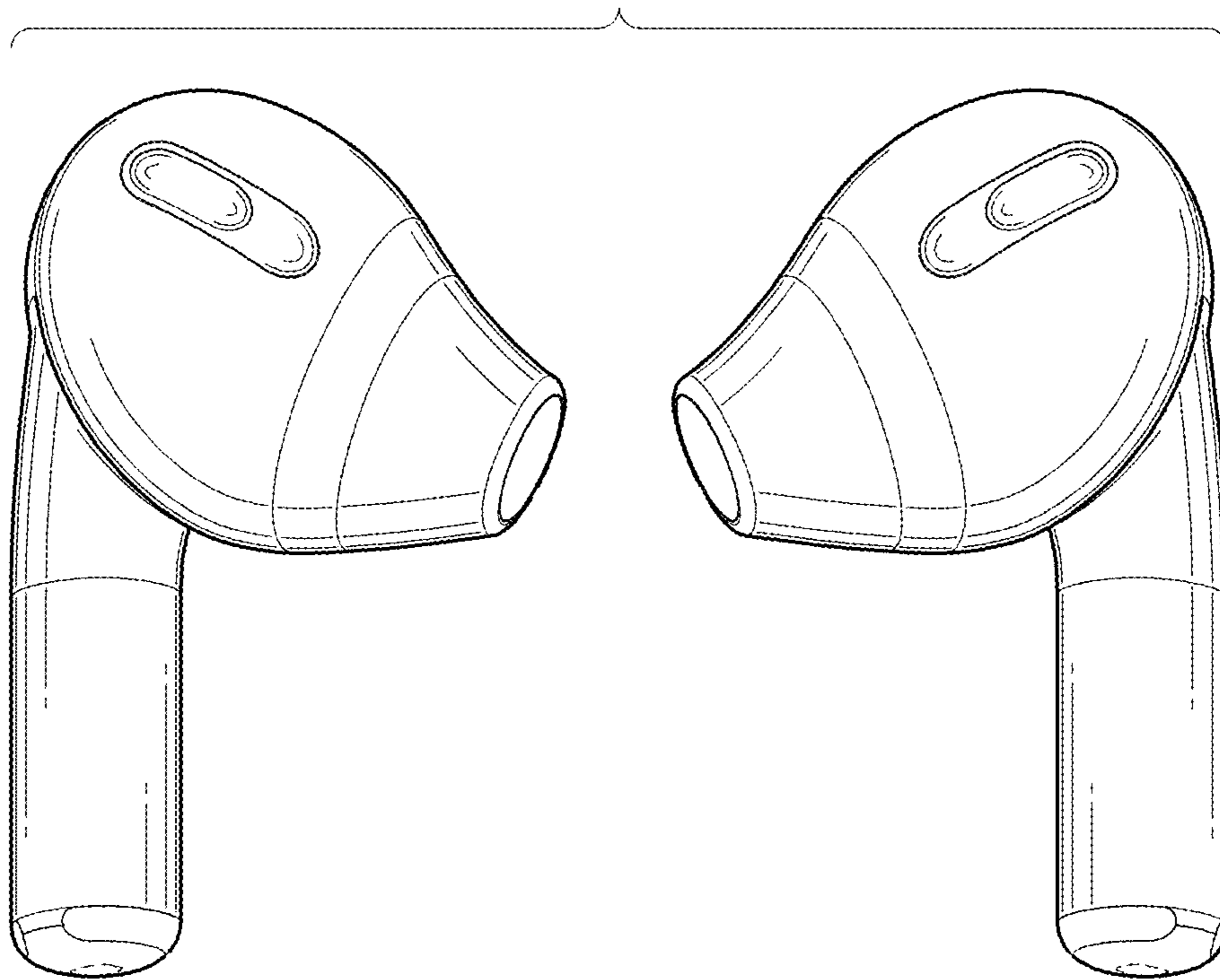


FIG. 13

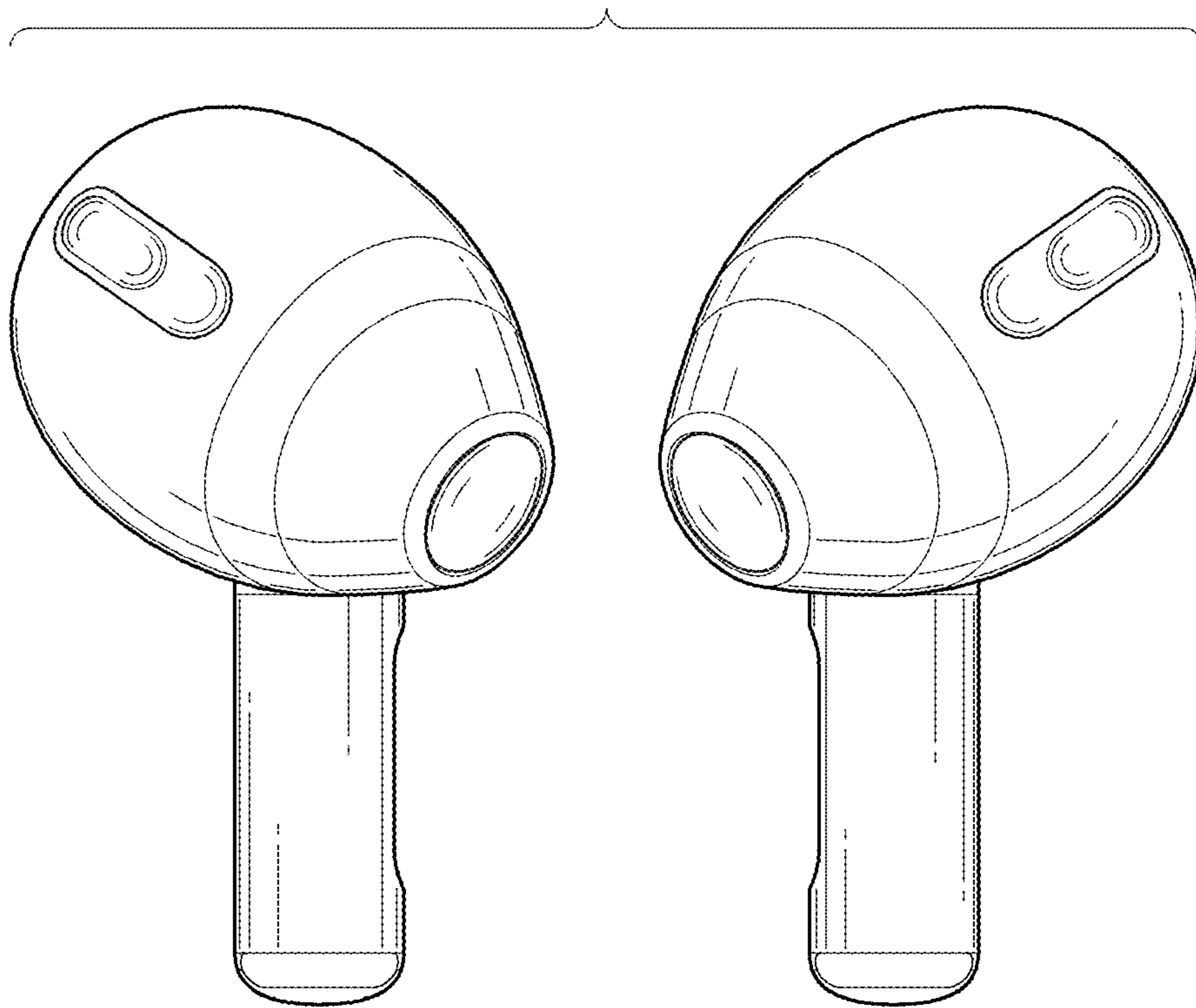


FIG. 14

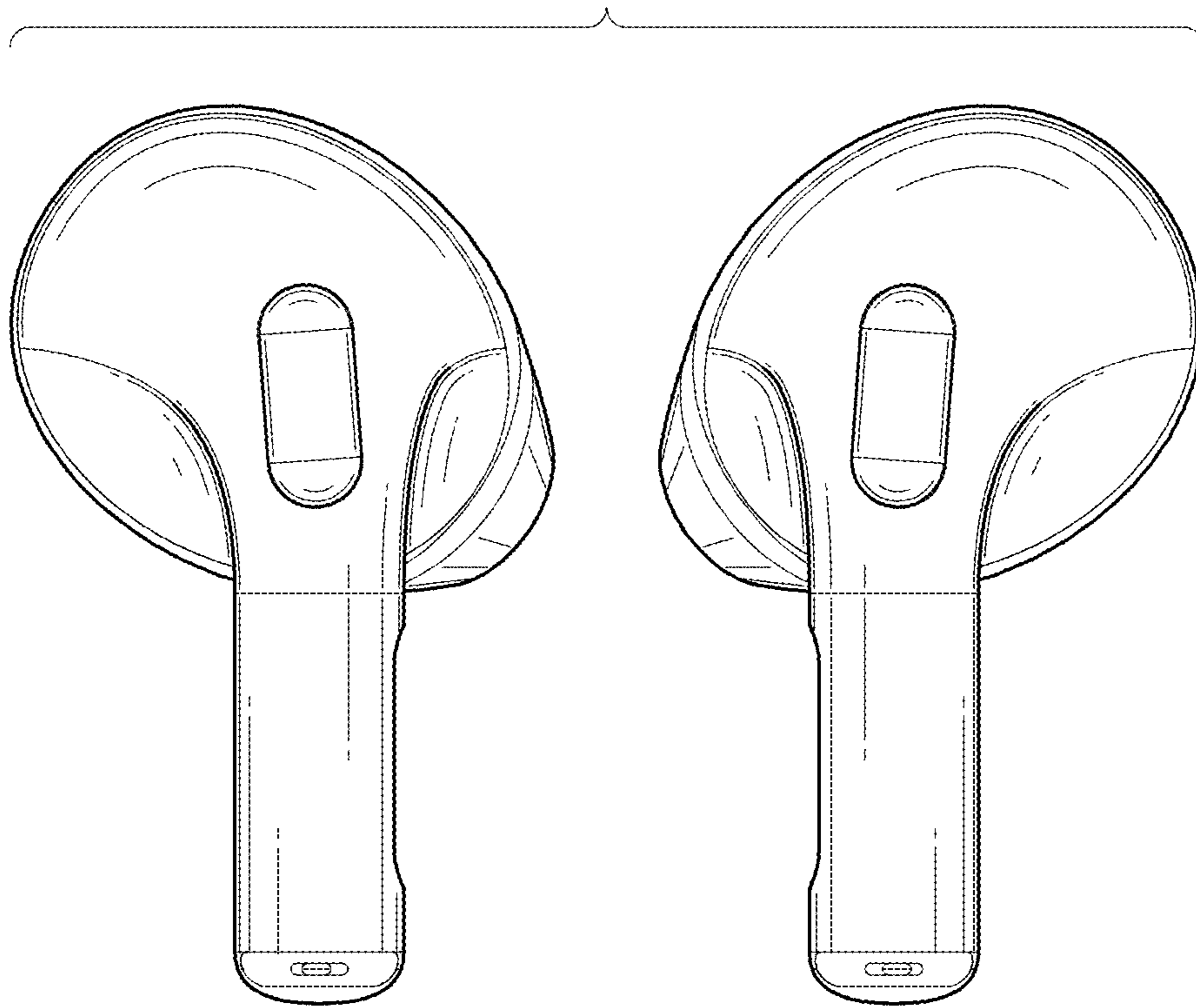


FIG. 15

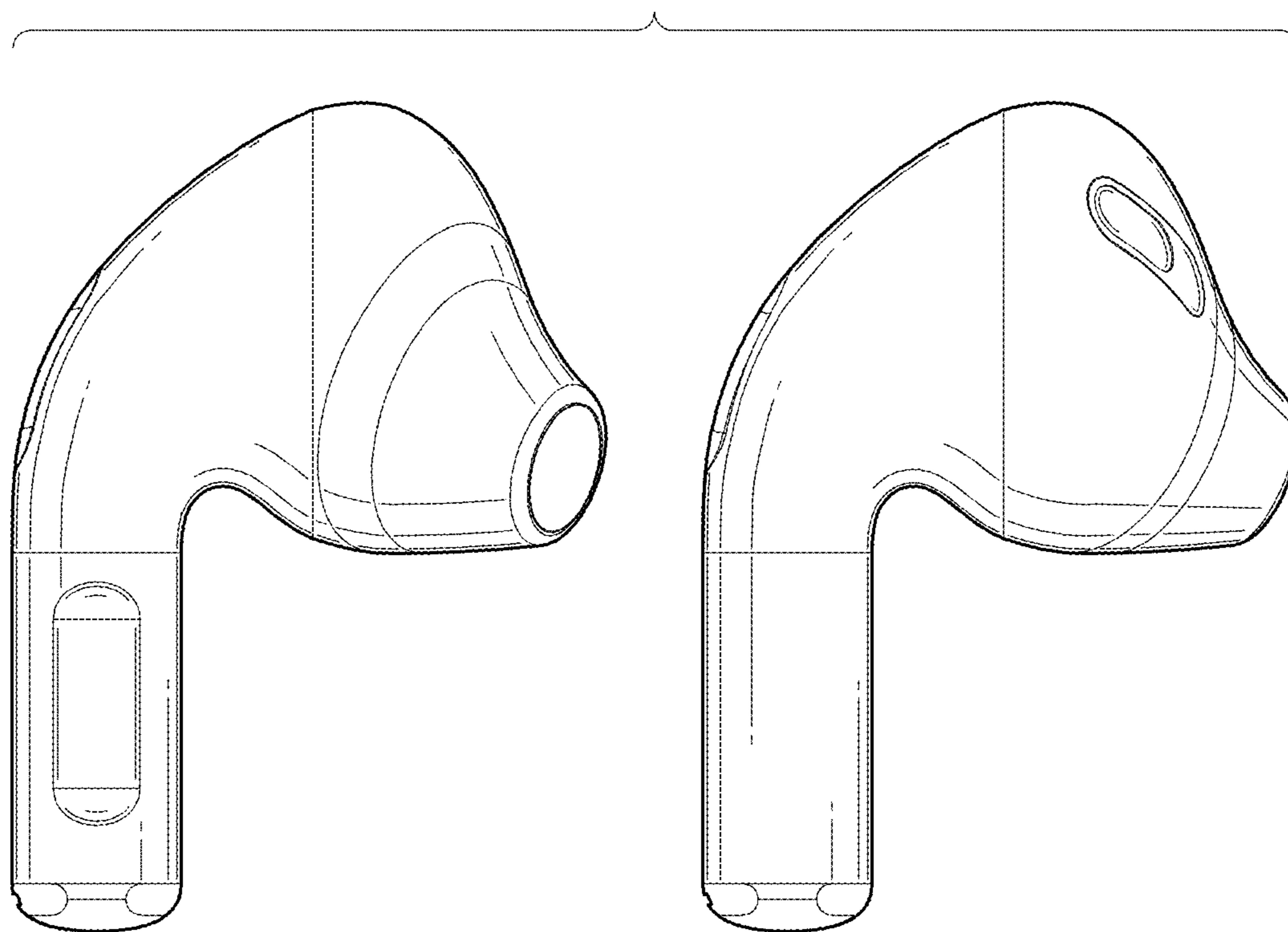


FIG. 16

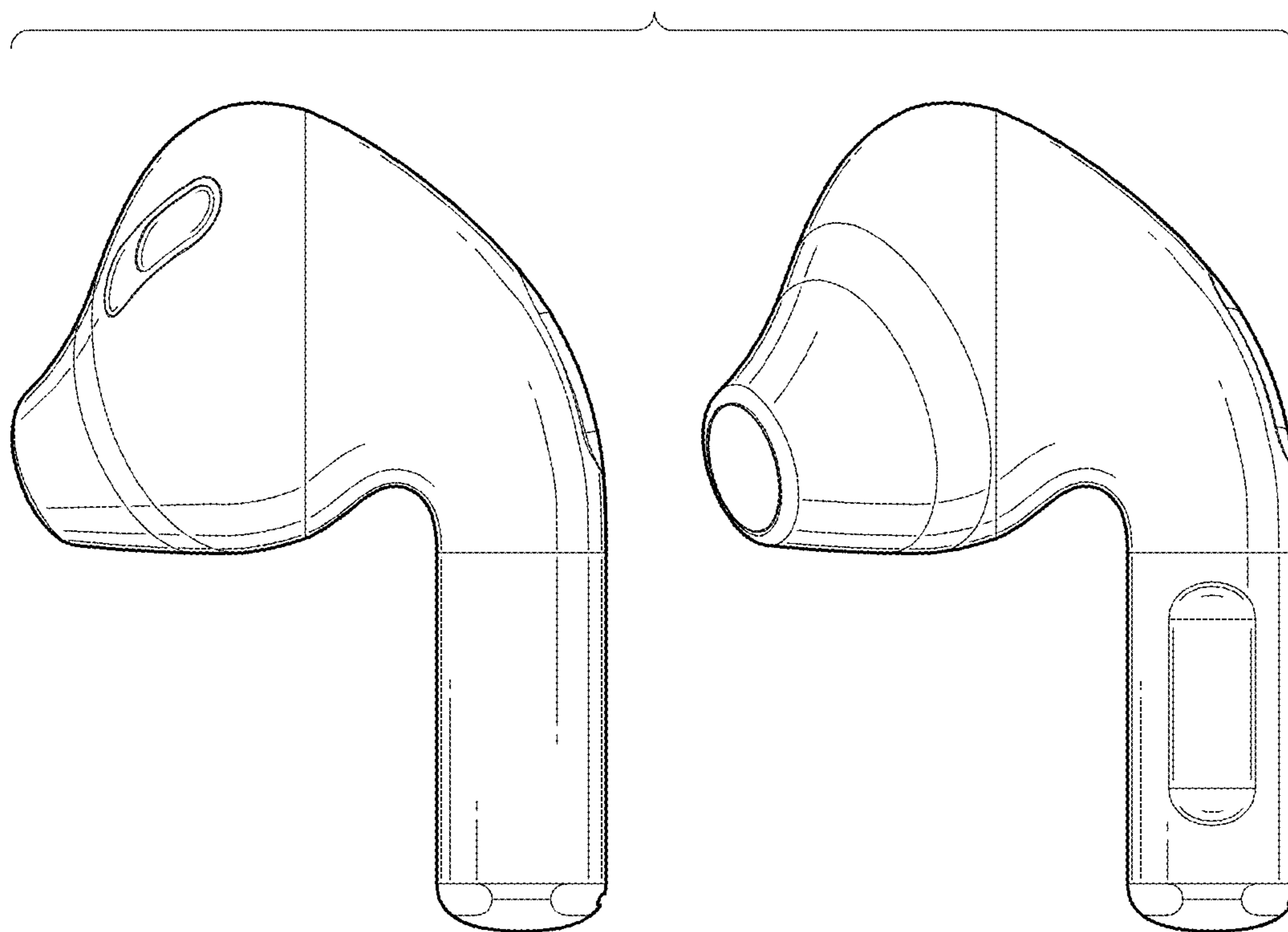


FIG. 17

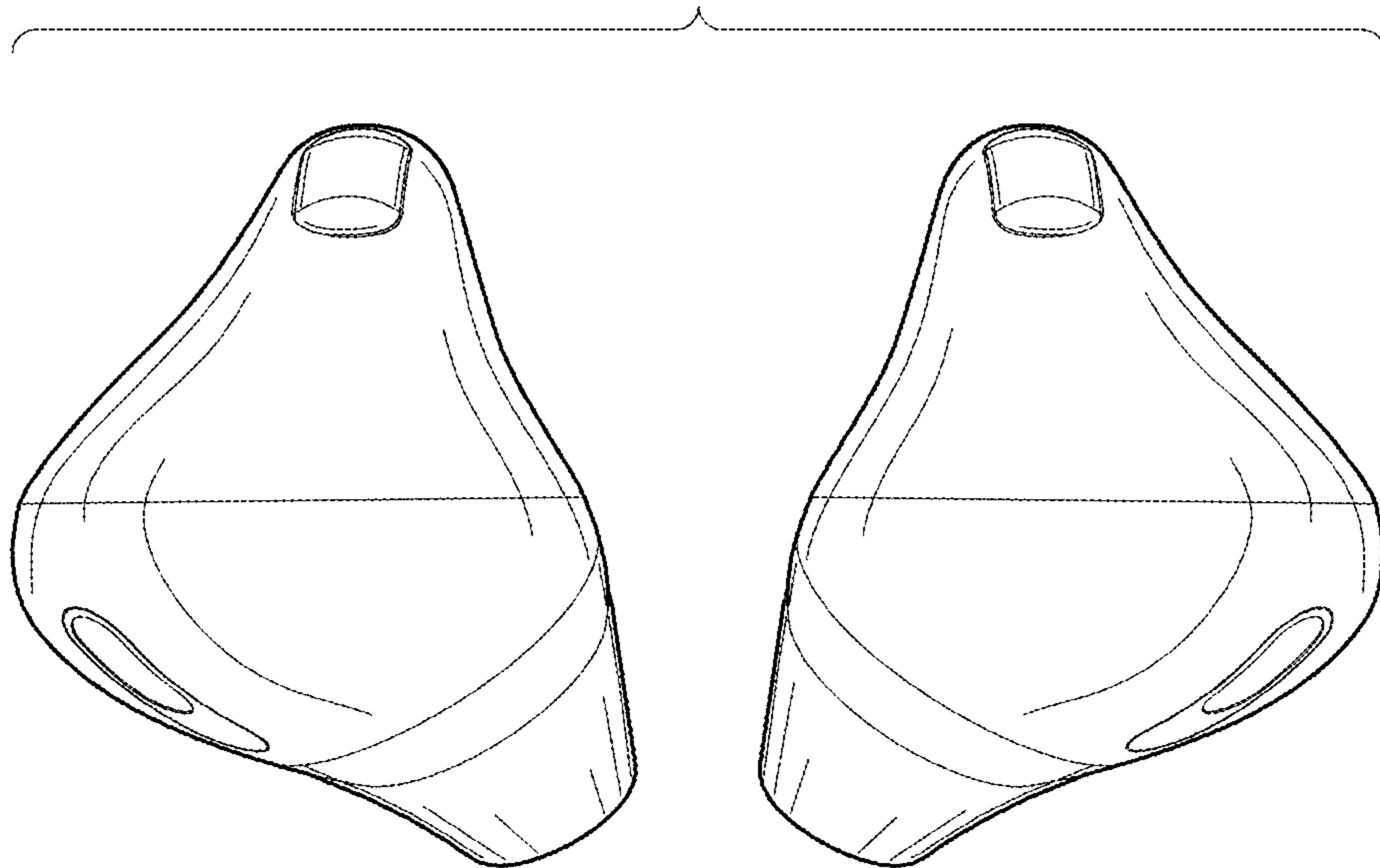


FIG. 18

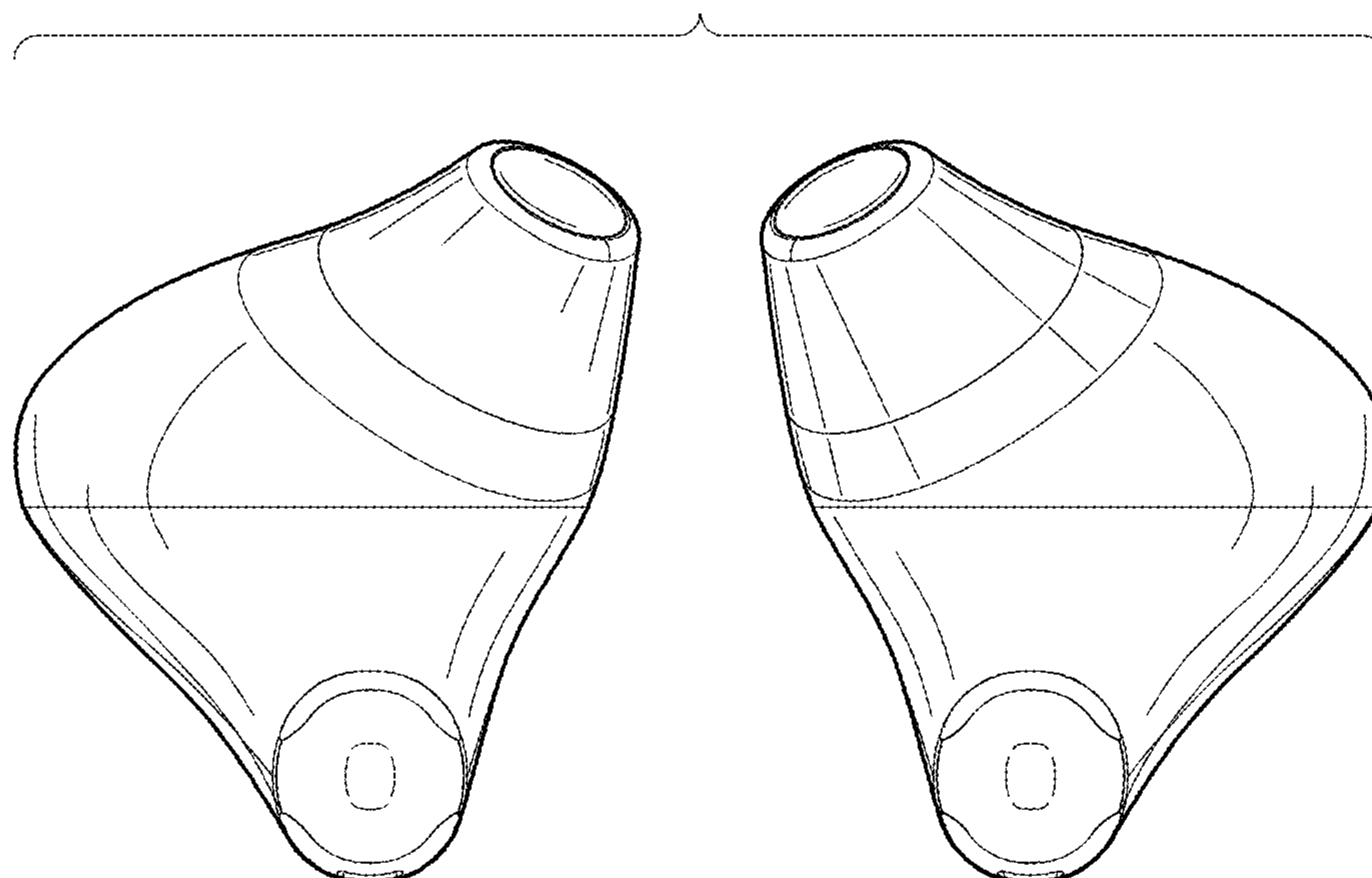


FIG. 19

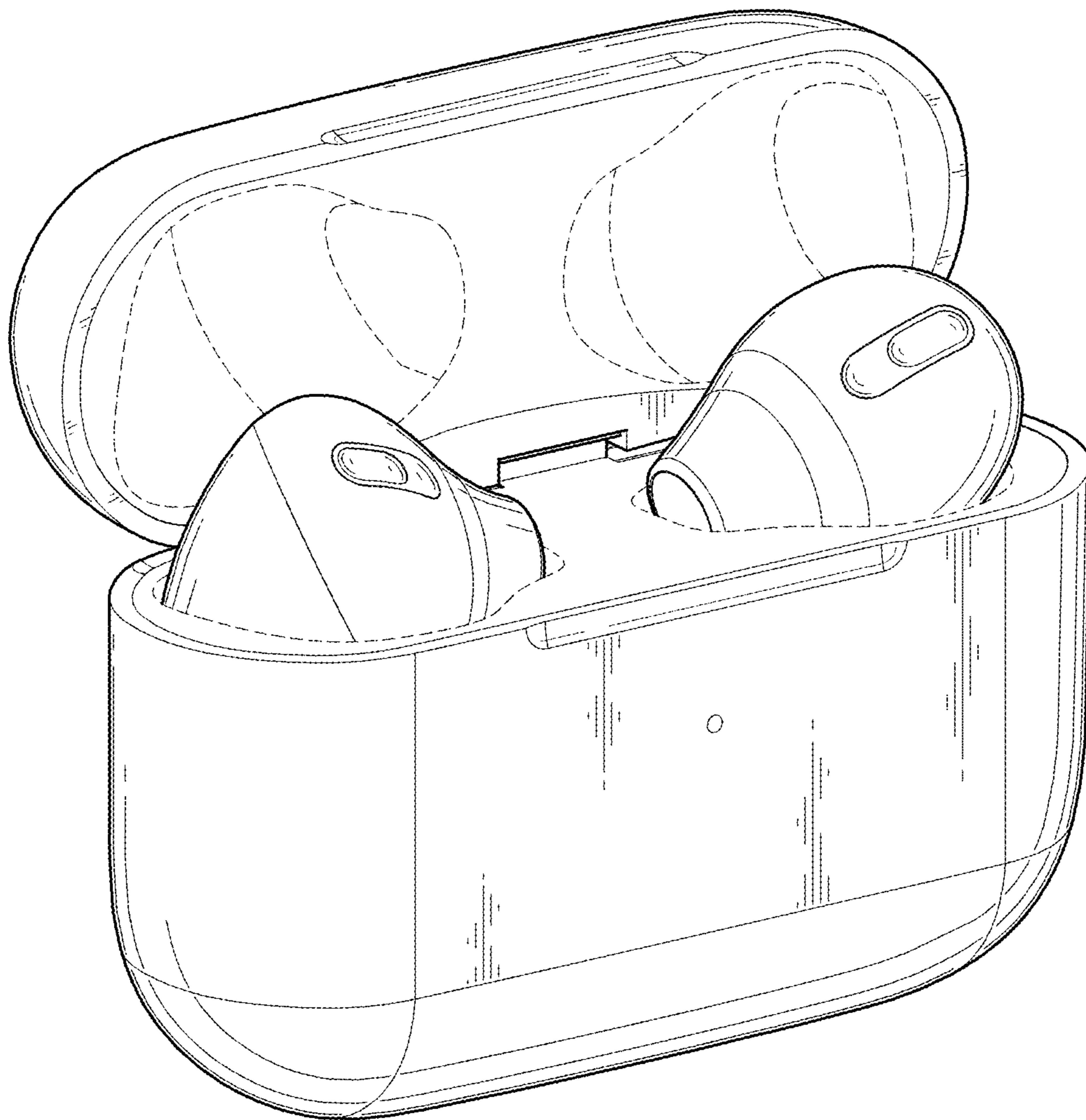


FIG. 20