



US00D931257S

(12) **United States Design Patent** (10) **Patent No.:** **US D931,257 S**  
**Tan** (45) **Date of Patent:** **\*\* Sep. 21, 2021**

(54) **EARPHONES**

(71) Applicant: **Shenzhen NearbyExpress Technology Development Company Limited,**  
Shenzhen (CN)

(72) Inventor: **Xiang-Min Tan,** Shenzhen (CN)

(73) Assignee: **Shenzhen NearbyExpress Technology Development Company Limited,**  
Shenzhen (CN)

(\*\*) Term: **15 Years**

(21) Appl. No.: **29/719,518**

(22) Filed: **Jan. 6, 2020**

(51) **LOC (13) Cl.** ..... **14-01**

(52) **U.S. Cl.**  
USPC ..... **D14/223**

(58) **Field of Classification Search**  
USPC ... D14/205, 207, 217, 221, 223, 224, 224.1,  
D14/225; D24/173, 174  
CPC ..... H04R 1/10; H04R 1/1016; H04R 1/1066;  
H04R 1/105; H04R 1/1033; H04R 1/08;  
H04R 5/033; H04R 5/0335; H04R 25/00  
See application file for complete search history.

(56) **References Cited**

**U.S. PATENT DOCUMENTS**

D693,326	S	*	11/2013	Takeo	.....	D14/205
D777,139	S	*	1/2017	Fletcher	.....	D14/205
D801,302	S	*	10/2017	Lai	.....	D14/205
D810,720	S	*	2/2018	Lee	.....	D14/205
D822,636	S	*	7/2018	Liu	.....	D14/205
D825,524	S	*	8/2018	Wagner	.....	D14/205
D839,238	S	*	1/2019	Hu	.....	D14/205
D839,850	S	*	2/2019	Mei	.....	D14/205
D840,972	S	*	2/2019	Luo	.....	D14/205
D850,407	S	*	6/2019	Li	.....	D14/205
D851,626	S	*	6/2019	Hsieh	.....	D14/205
D855,581	S	*	8/2019	Li	.....	D14/205
D859,358	S	*	9/2019	Wang	.....	D14/205
D865,707	S	*	11/2019	Bian	.....	D14/205

D869,434	S	*	12/2019	Biao	.....	D14/205
D870,065	S	*	12/2019	Kosaka	.....	D14/205
D873,238	S	*	1/2020	Wen	.....	D14/205
D873,791	S	*	1/2020	Aoyagi	.....	D14/205
D874,429	S	*	2/2020	Aoyagi	.....	D14/205
D875,070	S	*	2/2020	Carr	.....	D14/205
D875,071	S	*	2/2020	Wei	.....	D14/205
D875,709	S	*	2/2020	Yuanfa	.....	D14/205
D876,386	S	*	2/2020	Birger	.....	D14/205

(Continued)

**OTHER PUBLICATIONS**

Wireless Headphones, announced Jan. 25, 2019 [online], retrieved Feb. 11, 2021, retrieved from internet, [https://www.amazon.com/dp/B07PMH3393/ref=sspa\\_dk\\_detail\\_6?psc=1&pd\\_rd\\_i=B07PMH3393&pd\\_rd\\_w=epjmi&pf\\_rd\\_p=4269e1a0-a218-4fbd-9748-1cd337d2f2a5&pd\\_rd\\_wg=MqE4t&pf\\_rd\\_r=KZ3S8WBBX4RJ9SDGDCCE&pd\\_rd\\_r=f9461f0c-d5.\\*](https://www.amazon.com/dp/B07PMH3393/ref=sspa_dk_detail_6?psc=1&pd_rd_i=B07PMH3393&pd_rd_w=epjmi&pf_rd_p=4269e1a0-a218-4fbd-9748-1cd337d2f2a5&pd_rd_wg=MqE4t&pf_rd_r=KZ3S8WBBX4RJ9SDGDCCE&pd_rd_r=f9461f0c-d5.*)

(Continued)

*Primary Examiner* — Dana K Weiland

*Assistant Examiner* — Messina L Smith

(74) *Attorney, Agent, or Firm* — ScienBiziP, P.C.

(57) **CLAIM**

The ornamental design for earphones, as shown and described.

**DESCRIPTION**

FIG. 1 is a top, front, right side perspective view of earphones, showing ny design.

FIG. 2 is a top, front, left side perspective view thereof.

FIG. 3 is a front elevation view thereof.

FIG. 4 is a rear elevation view thereof.

FIG. 5 is a left side elevation view thereof.

FIG. 6 is a right side elevation view thereof.

FIG. 7 is a top plan view thereof; and,

FIG. 8 is a bottom plan view thereof.

The details of the earphones shown in broken lines form no part of the claimed design.

**1 Claim, 8 Drawing Sheets**



(56)

**References Cited**

U.S. PATENT DOCUMENTS

D882,545 S \* 4/2020 Li ..... D14/205  
 D888,009 S \* 6/2020 Ying ..... D14/205  
 D888,690 S \* 6/2020 Yan ..... D14/223  
 D890,127 S \* 7/2020 Kim ..... D14/205  
 D890,128 S \* 7/2020 Kim ..... D14/205  
 D892,763 S \* 8/2020 Huang ..... D14/205  
 D896,200 S \* 9/2020 Ott ..... D14/205  
 D897,995 S \* 10/2020 Duddy ..... D14/223  
 D907,599 S \* 1/2021 Dryden ..... D14/205  
 D908,109 S \* 1/2021 Birger ..... D14/205  
 2015/0181325 A1 \* 6/2015 Urup ..... H04R 1/10  
 381/74  
 2016/0051185 A1 \* 2/2016 Wisbey ..... G16H 10/60  
 705/2  
 2016/0249133 A1 \* 8/2016 Sorensen ..... A61B 5/02416  
 2016/0261946 A1 \* 9/2016 Chen ..... H04R 1/1091  
 2016/0316290 A1 \* 10/2016 Shen ..... H04R 1/1025  
 2017/0264991 A1 \* 9/2017 Horst ..... H02J 7/0045  
 2019/0042565 A1 \* 2/2019 Choi ..... G10L 25/69

2019/0069064 A1 \* 2/2019 Ott ..... H04R 1/1066  
 2020/0059715 A1 \* 2/2020 Hsiao ..... H04R 1/1016  
 2020/0245049 A1 \* 7/2020 Karayiannis ..... H04R 1/1016  
 2020/0382870 A1 \* 12/2020 Dyrholm ..... G10L 21/0232

OTHER PUBLICATIONS

Wireless Headphones, announced Jan. 24, 2019 [online], retrieved Feb. 11, 2021, retrieved from internet, <https://www.amazon.com/Bluetooth-Headphones-iTeknic-Waterproof-Earphones/dp/B07N2HBP44>.\*

The Best Workout Headphones, According to Competitive Athletes, announced Feb. 24, 2020 [online], retrieved Feb. 11, 2021, retrieved from internet, <https://nymag.com/strategist/article/best-workout-headphones-athletes.html>.\*

TaoTronics TT-BH16 wireless Earphone Bluetooth, announced © 2021 [online], retrieved Feb. 11, 2021, retrieved from internet, <https://www.walmart.com/ip/TaoTronics-TT-BH16-wireless-Earphone-Bluetooth-Waterproof-noise-cancelling-OPEN-BOX-SB38/795745794>.\*

\* cited by examiner

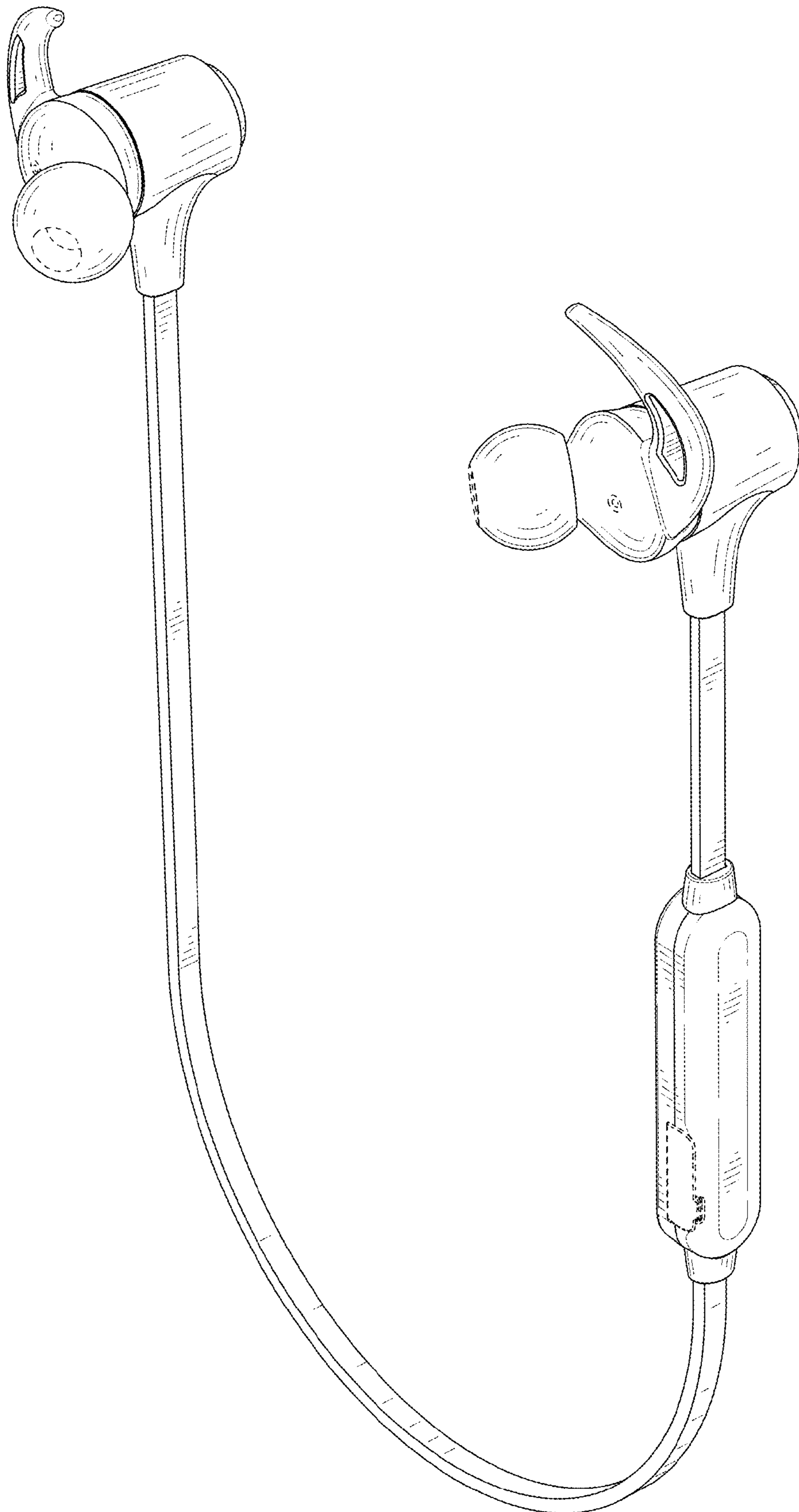


FIG. 1

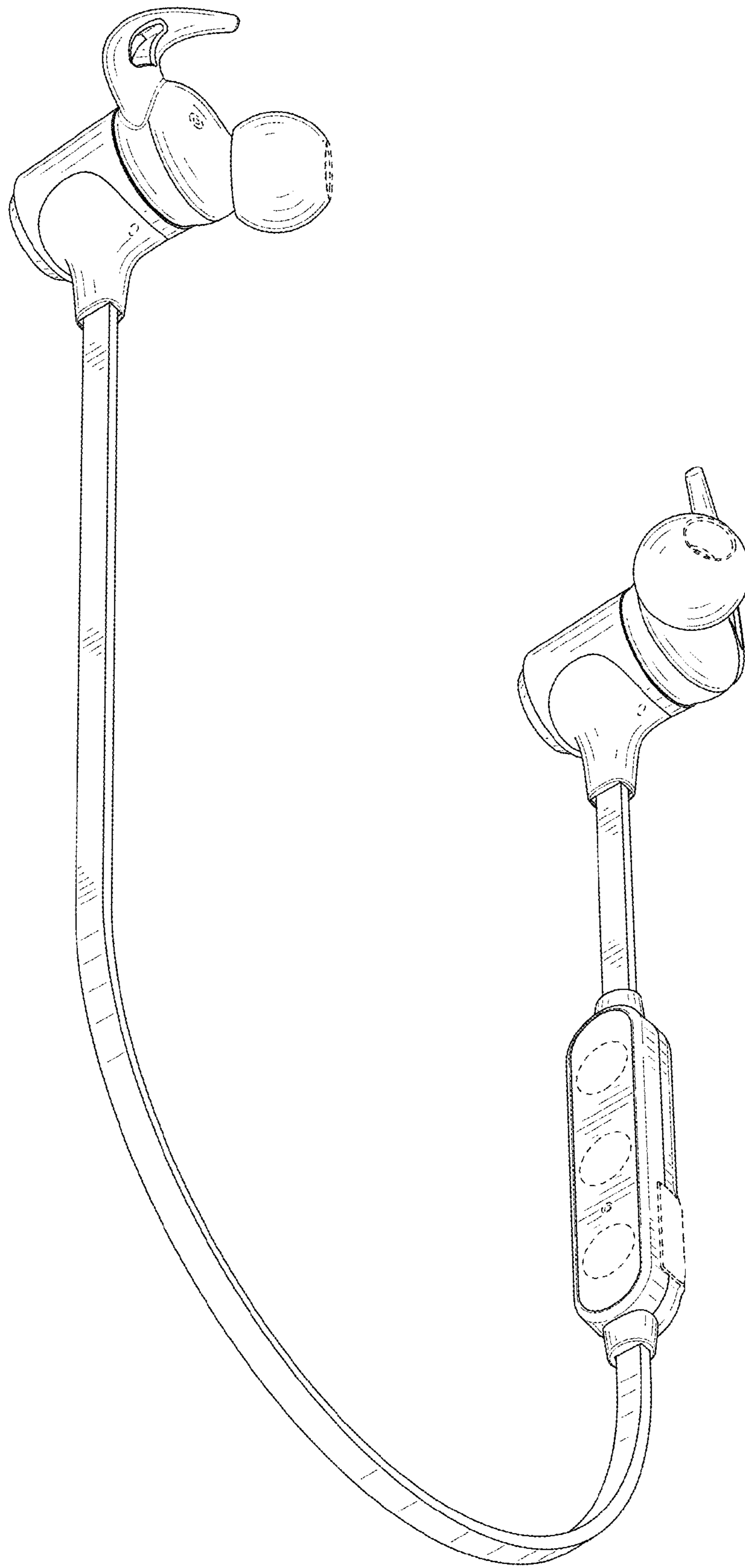


FIG. 2



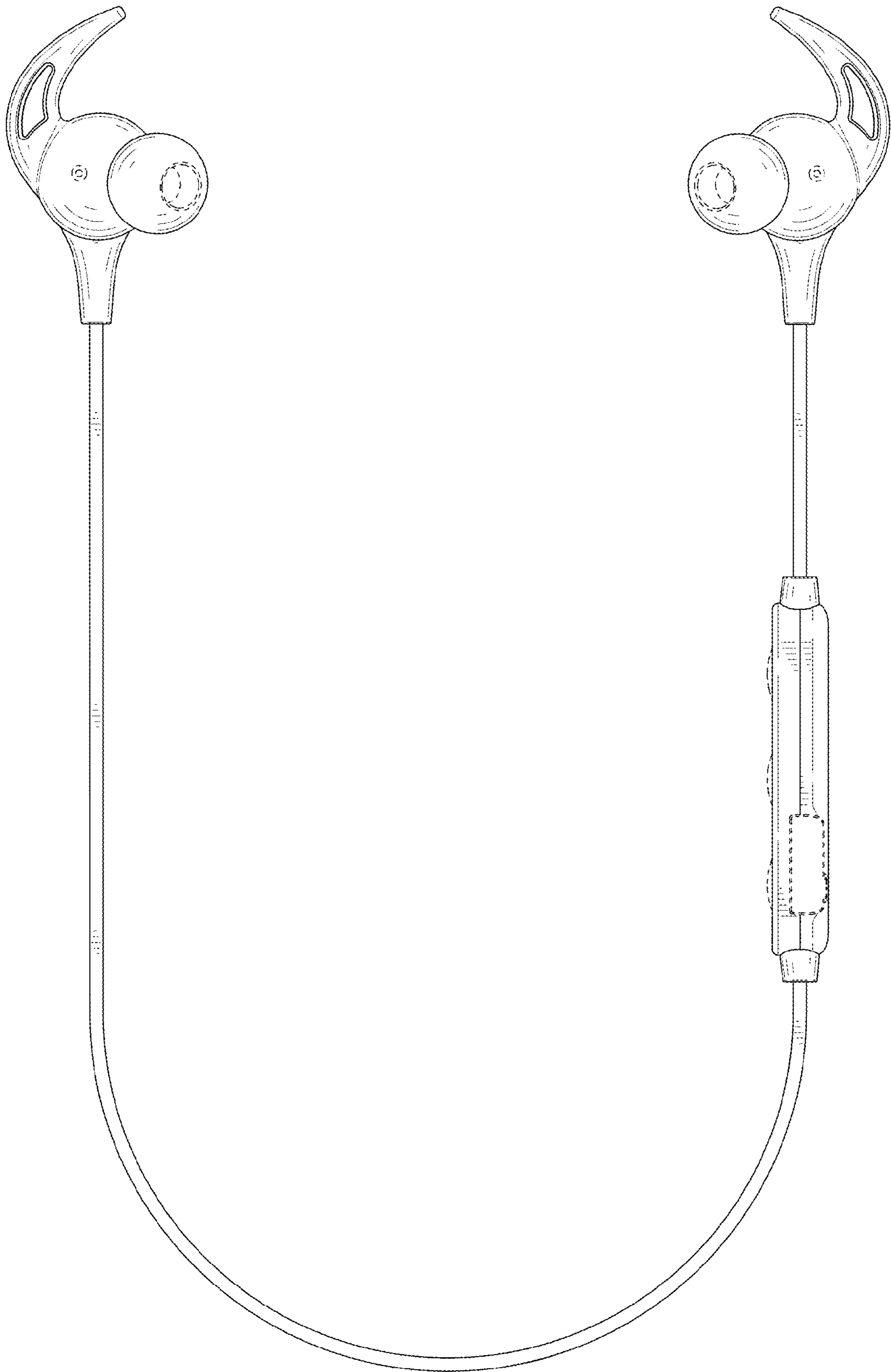


FIG. 3

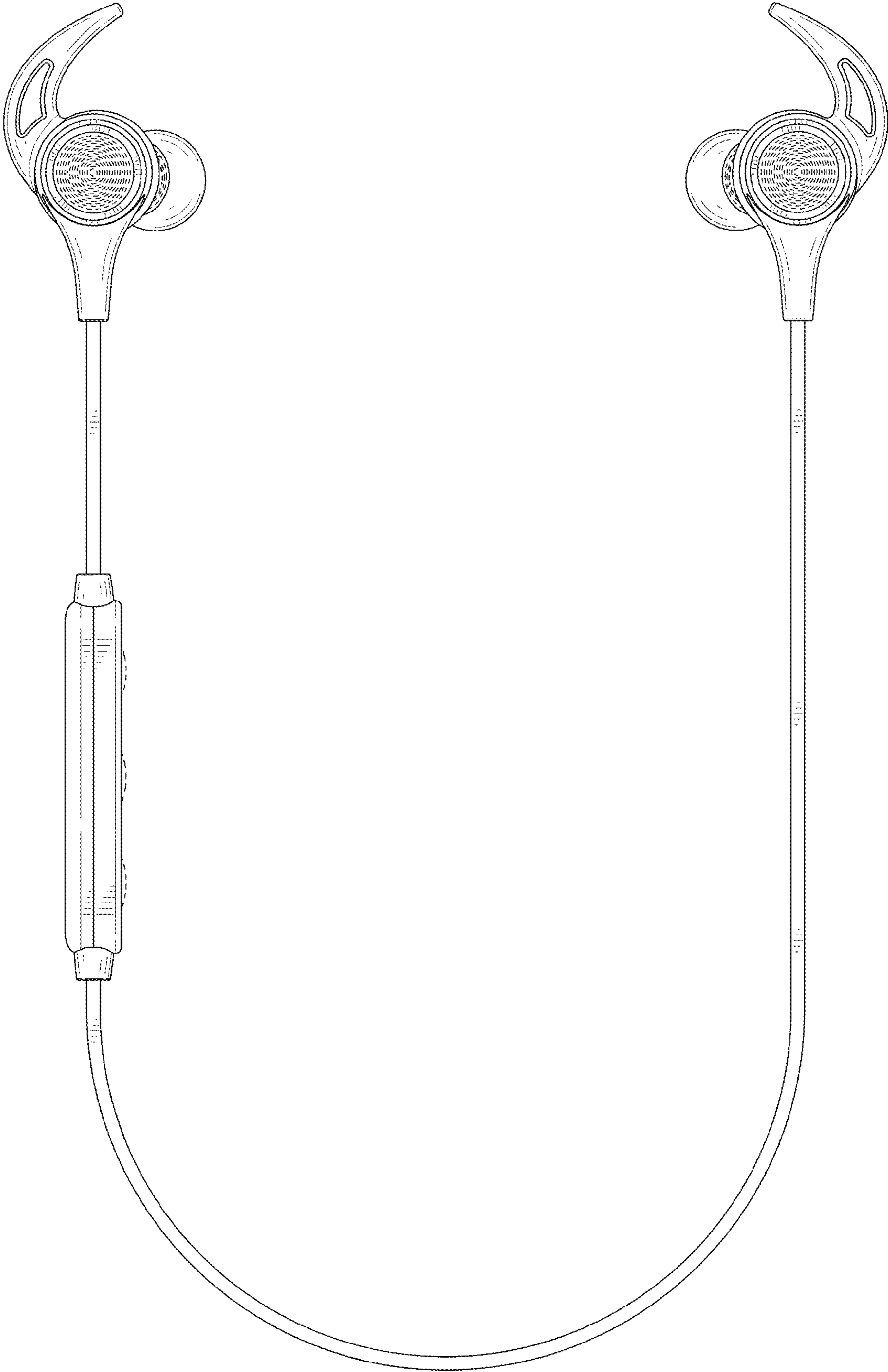


FIG. 4

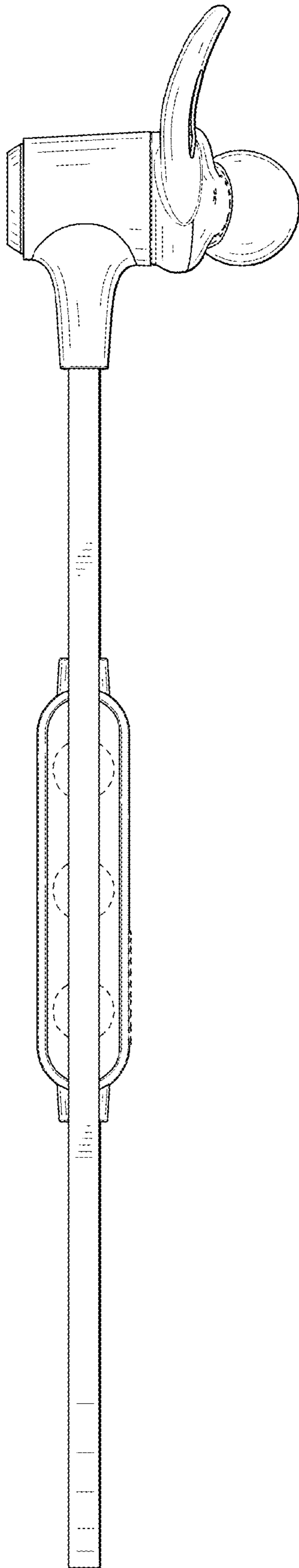


FIG. 5

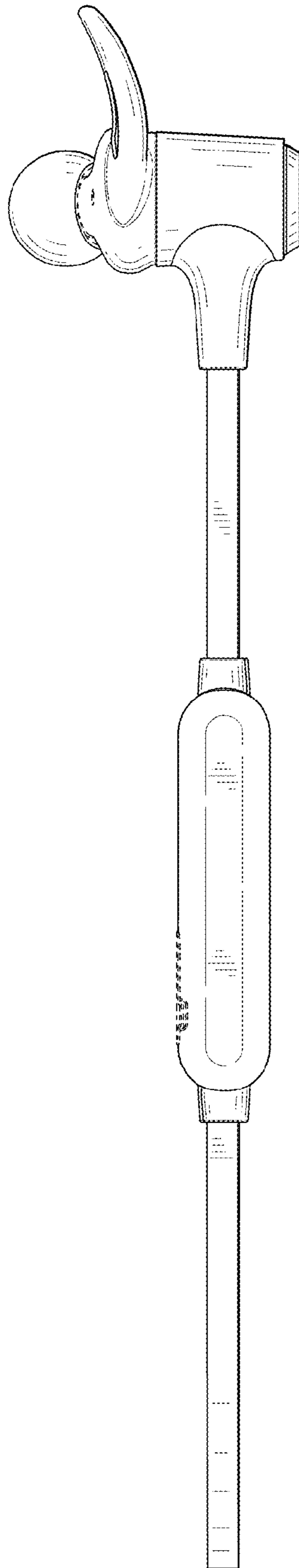


FIG. 6



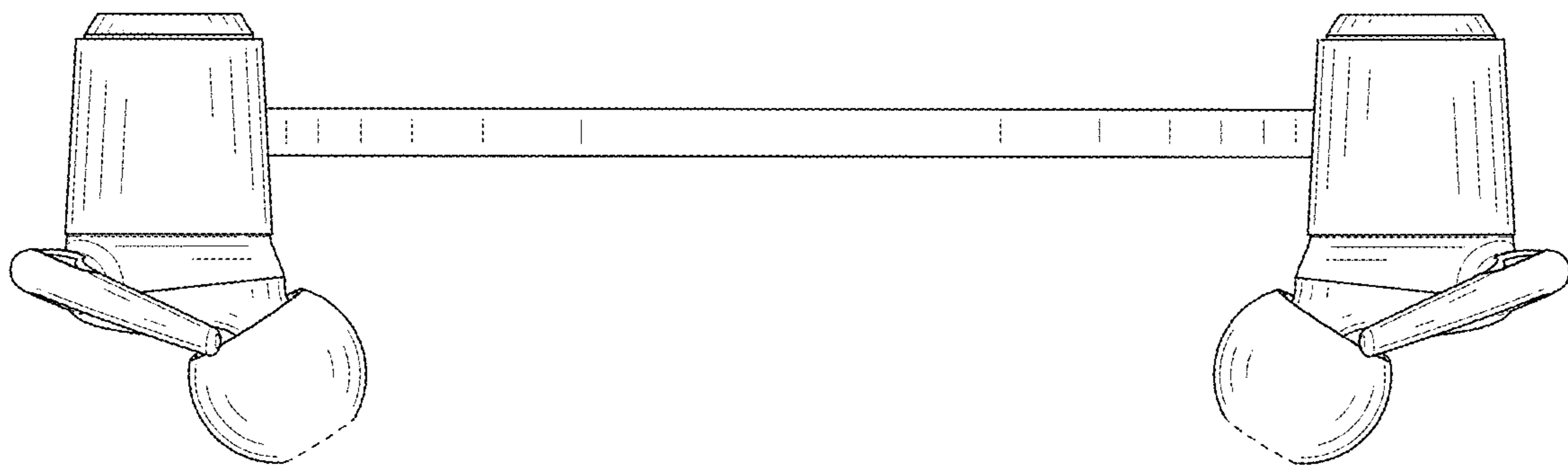


FIG. 7

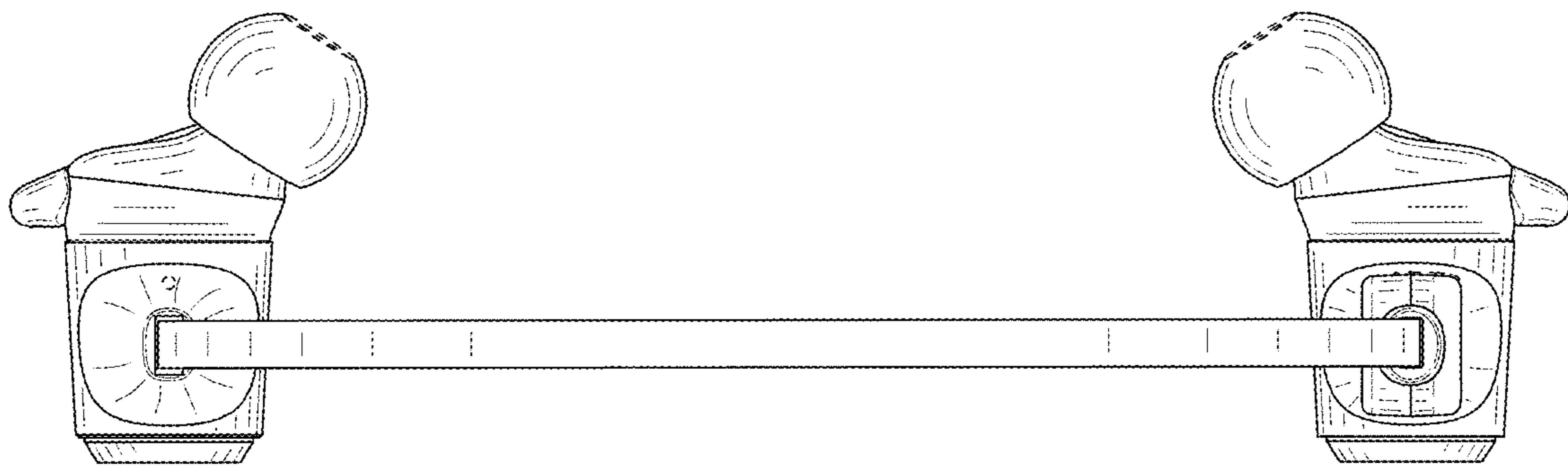


FIG. 8