



US00D931256S

(12) **United States Design Patent** (10) **Patent No.:** **US D931,256 S**
Lu (45) **Date of Patent:** **** Sep. 21, 2021**

(54) **HEADPHONE**

(71) Applicant: **Harman International Industries, Incorporated**, Northridge, CA (US)

(72) Inventor: **Weijia Lu**, Shenzhen (CN)

(73) Assignee: **Harman International Industries, Incorporated**, Northridge, CA (US)

(**) Term: **15 Years**

(21) Appl. No.: **29/719,091**

(22) Filed: **Dec. 31, 2019**

(51) **LOC (13) Cl.** **14-01**

(52) **U.S. Cl.**
USPC **D14/223**

(58) **Field of Classification Search**

USPC ... D14/205, 207, 217, 221, 223, 224, 224.1,
D14/225, 216; D24/173, 174
CPC H04R 1/10; H04R 1/1016; H04R 1/1066;
H04R 1/1033; H04R 1/08; H04R 5/033;
H04R 5/0335; H04R 25/00

See application file for complete search history.

(56) **References Cited**

U.S. PATENT DOCUMENTS

D618,218 S	6/2010	Burgett et al.	
D618,219 S	6/2010	Burgett et al.	
D627,759 S *	11/2010	Peller	D14/205
D637,182 S *	5/2011	Lee	D14/223
D654,052 S *	2/2012	Lee	D14/205
D666,581 S *	9/2012	Perez	D14/223
D673,530 S	1/2013	Feng et al.	
D674,373 S *	1/2013	Combs	D14/205
D678,868 S	3/2013	Feng et al.	
D695,718 S	12/2013	Burgett et al.	
D741,289 S *	10/2015	Schaal	D14/205
D743,370 S *	11/2015	Toelle	D14/205

(Continued)

FOREIGN PATENT DOCUMENTS

CN 306155470 * 11/2020
CN 306267670 * 1/2021

(Continued)

OTHER PUBLICATIONS

JBL Quantum 50 Wired, announced Aug. 1, 2020 [online], retrieved May 18, 2021, retrieved from internet, https://www.amazon.com/JBL-Quantum-Gaming-Headphones-Control/dp/B08D7WQ6NM/ref=sr_1_17?dchild=1&keywords=jbl+earbuds&qid=1621355934&s=aht&sr=1-17.*

(Continued)

Primary Examiner — Dana K Weiland

Assistant Examiner — Messina L Smith

(74) *Attorney, Agent, or Firm* — Plumsea Law Group, LLC

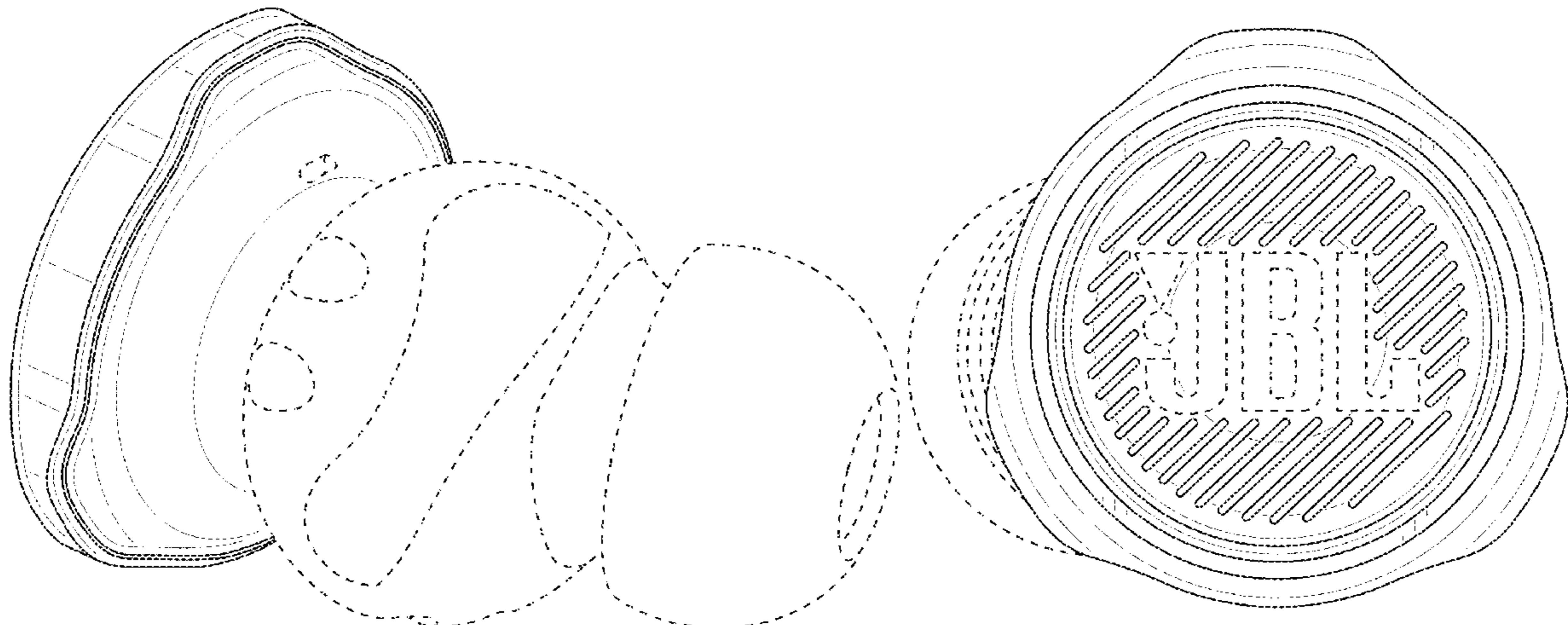
(57) **CLAIM**

The ornamental design for a headphone, as shown and described.

DESCRIPTION

FIG. 1 is a perspective view of a headphone showing the new design;
FIG. 2 is a front elevational view thereof;
FIG. 3 is a rear elevational view thereof;
FIG. 4 is a side elevational view thereof;
FIG. 5 is an opposite side elevational view thereof;
FIG. 6 is a top view thereof;
FIG. 7 is a bottom view thereof;
FIG. 8 is a perspective view of another embodiment of the headphone of FIGS. 1-7.
FIG. 9 is a front elevational view thereof;
FIG. 10 is a rear elevational view thereof;
FIG. 11 is a side elevational view thereof;
FIG. 12 is an opposite side elevational view thereof;
FIG. 13 is a top view thereof; and,
FIG. 14 is a bottom view thereof.

(Continued)



The broken lines in the figures illustrate portions of the headphone that form no part of the claimed design.

1 Claim, 14 Drawing Sheets

FOREIGN PATENT DOCUMENTS

JP 2019186870 A * 10/2019
 JP D1672166 * 10/2020
 JP D1679275 * 1/2021

OTHER PUBLICATIONS

(56)

References Cited

U.S. PATENT DOCUMENTS

D743,932 S * 11/2015 Toelle D14/205
 D770,426 S 11/2016 LaBerge et al.
 D806,686 S 1/2018 Ott et al.
 D825,523 S * 8/2018 Adams D14/205
 D830,992 S * 10/2018 Hardi D14/205
 D852,783 S * 7/2019 Hueber D14/223
 D860,173 S * 9/2019 Nokuo D14/223
 D863,261 S * 10/2019 Zhu D14/223
 D864,166 S * 10/2019 You D14/223
 D867,326 S * 11/2019 Sweet D14/205
 D870,709 S 12/2019 Meyer
 D873,248 S * 1/2020 Weicheng D14/223
 D891,401 S * 7/2020 Kawabata D14/223
 D896,205 S * 9/2020 Zhang D14/223
 D896,781 S * 9/2020 Reimann D14/205
 D902,890 S * 11/2020 Williamson D14/223
 D905,667 S * 12/2020 Zhao D14/223
 D906,294 S * 12/2020 Van D14/223
 D906,295 S * 12/2020 Zheng D14/223
 D906,296 S * 12/2020 Zheng D14/223
 D909,336 S * 2/2021 Adams D14/205
 2014/0205125 A1 * 7/2014 Triato H04R 1/105
 381/330
 2020/0221211 A1 * 7/2020 Palupunoori H04R 3/12
 2021/0136477 A1 * 5/2021 Ozawa H04R 1/10

JBL T290 Wired Stereo Earphone , announced Nov. 20, 2020 [online], retrieved May 18, 2021, retrieved from internet, <https://www.aliexpress.com/item/4001018361595.html>.*

JBL Reflect Flow, announced Jul. 1, 2019 [online], retrieved May 18, 2021, retrieved from internet, <https://www.amazon.com/JBL-Reflect-Truly-Wireless-Headphone/dp/B07VNBMPZ>.*

Gaming Earbuds Headset, announced Sep. 25, 2020 [online], retrieved May 18, 2021, retrieved from internet, https://www.amazon.com/dp/B08K3TQK1C/ref=sspa_dk_detail_6?psc=1&pd_rd_i=B08K3TQK1Cp13NParams&spLa=ZW5jcnlwdGVkUXVhbGlmaWVyPUEzTkpPNVZKTUZMR0FTJmVuY3J5cHRIZEikPUEwNTY4NjU0OVE4V1RNT0w1UUpFJmVuY3J5cHRIZEFkSWQ9QTA1NzYyNjYxNVM4U0IXSThWT0RLJndpZGdldE5hbWU9c3BfZGV0YWIsMIZhY3Rpb249Y2xpY2tSZWRpcmVjdCZkb05vdExvZ0NsaWNrPXRydWU =.*

ACAGET Wired Earbuds, announced Feb. 20, 2021 [online], retrieved May 18, 2021, retrieved from internet, https://www.amazon.com/dp/B08WX5HMBG/ref=sspa_dk_detail_3?psc=1&pd_rd_i=B08WX5HMBGp13NParams&spLa=ZW5jcnlwdGVkUXVhbGlmaWVyPUEzOUhMSklSTIIPMUNOJmVuY3J5cHRIZEikPUEwNzZmZjE0MjMyVUMzWlplVTVIWCZlbnNyeXB0ZWRBZEikPU EwMDk3MTI4MIBWUkRBMIRWRVRQVCZ3aWRnZXROYW1IPXNwX2RldGFpbDlmYWN0aW9uPWNsaWNrUmVkaXJlY3QmZG9Ob3RMb2dDbGljaz10cnVI.*

* cited by examiner

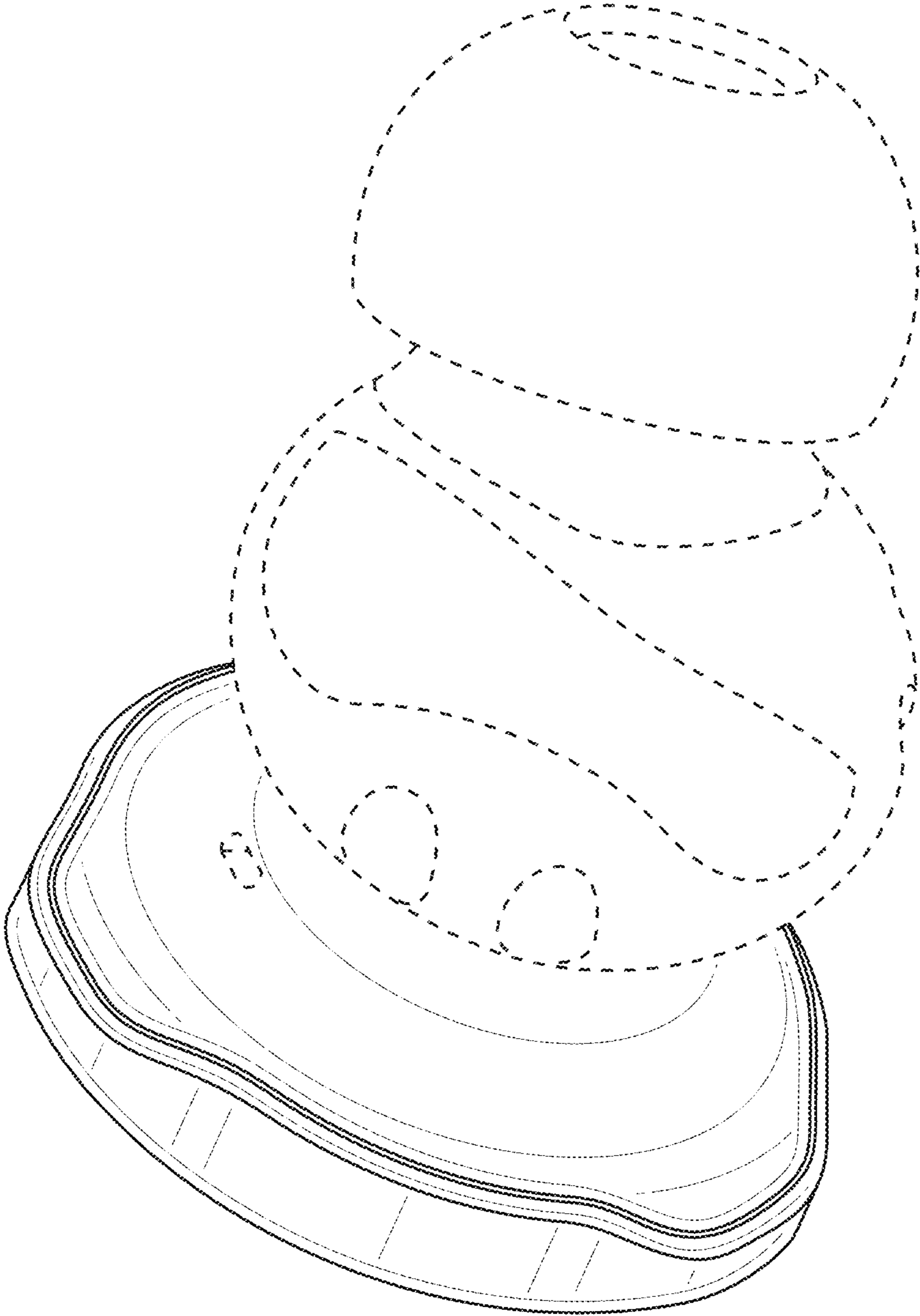


FIG. 1

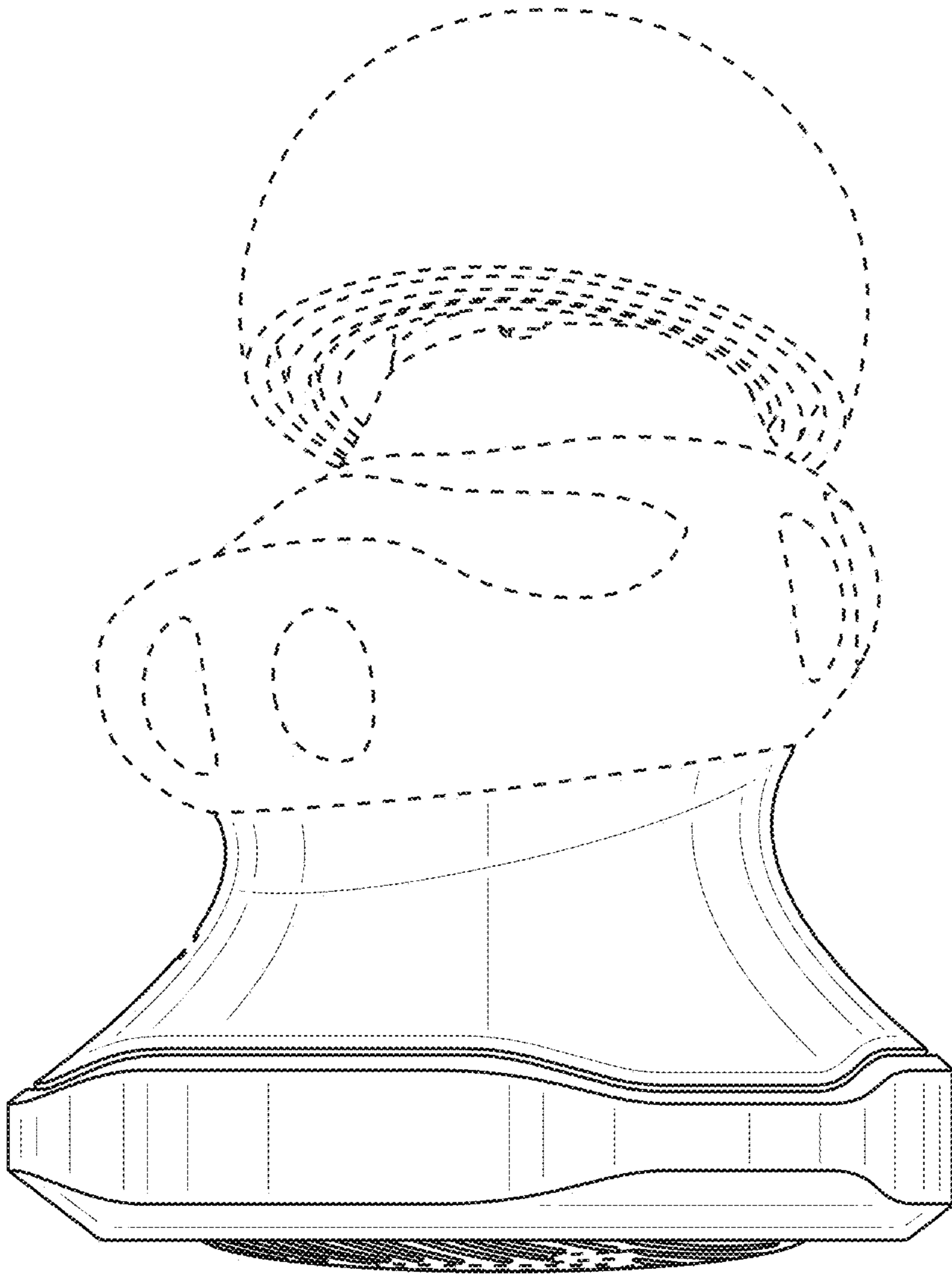


FIG. 2

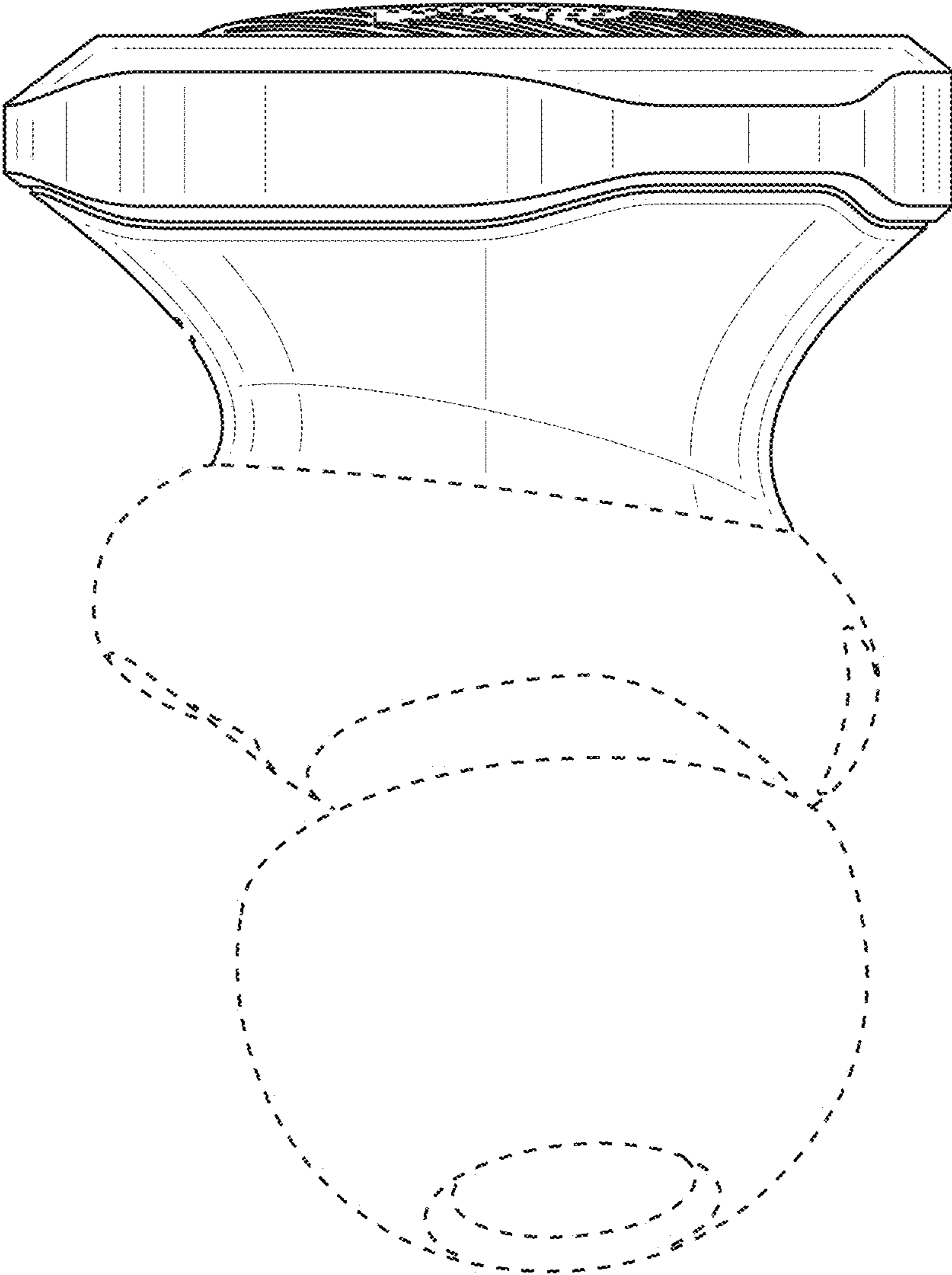


FIG. 3

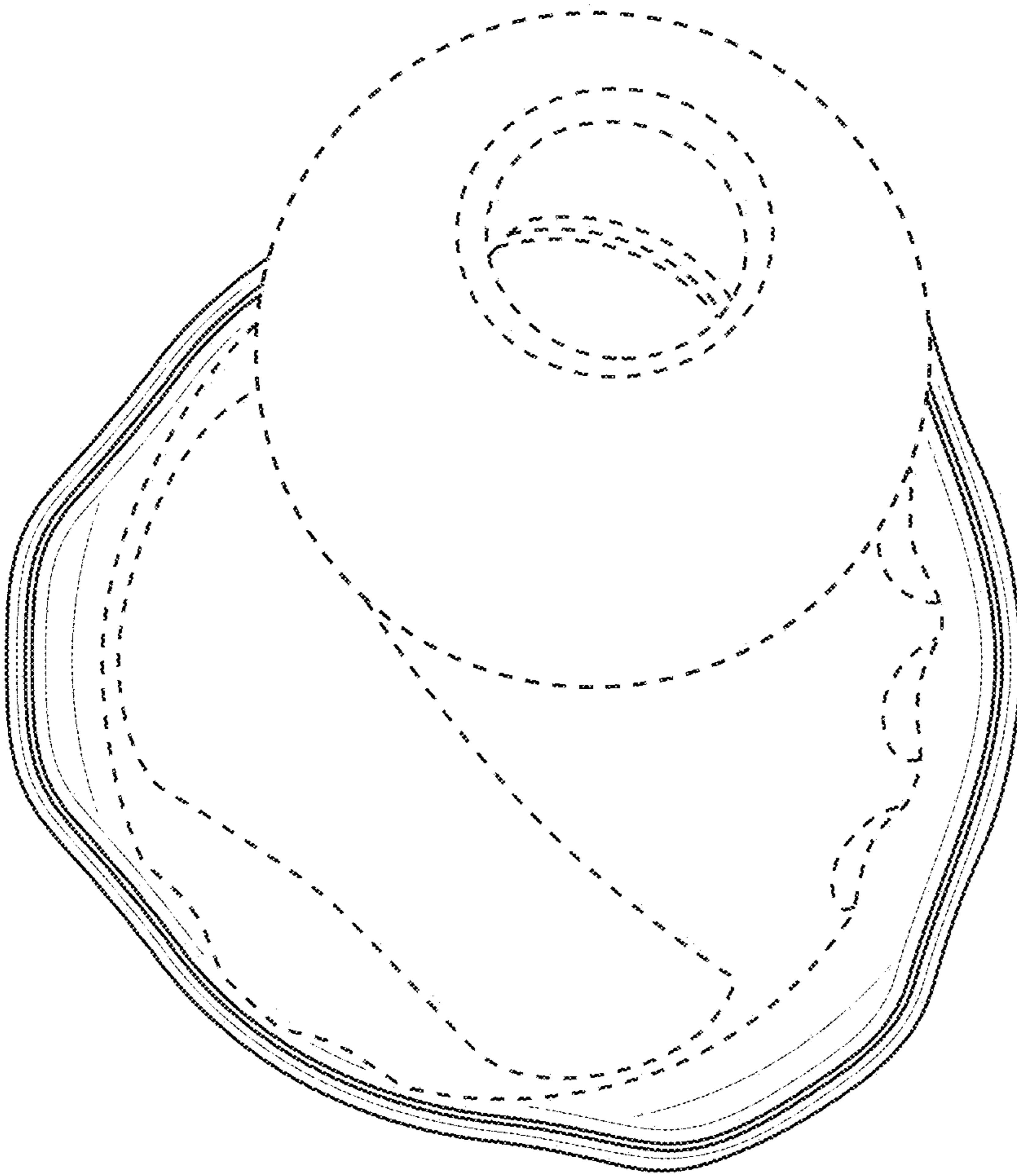


FIG. 4

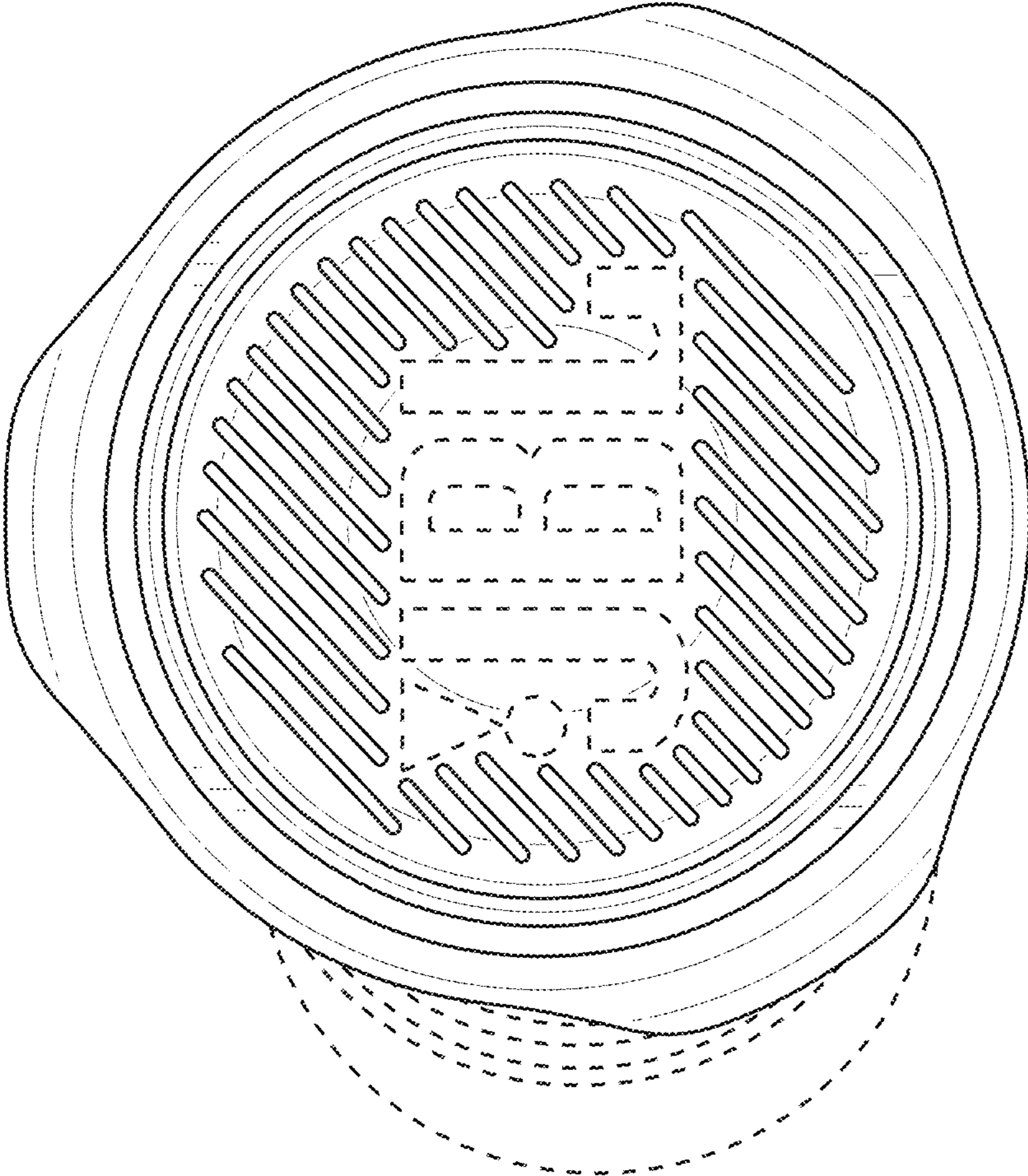


FIG. 5

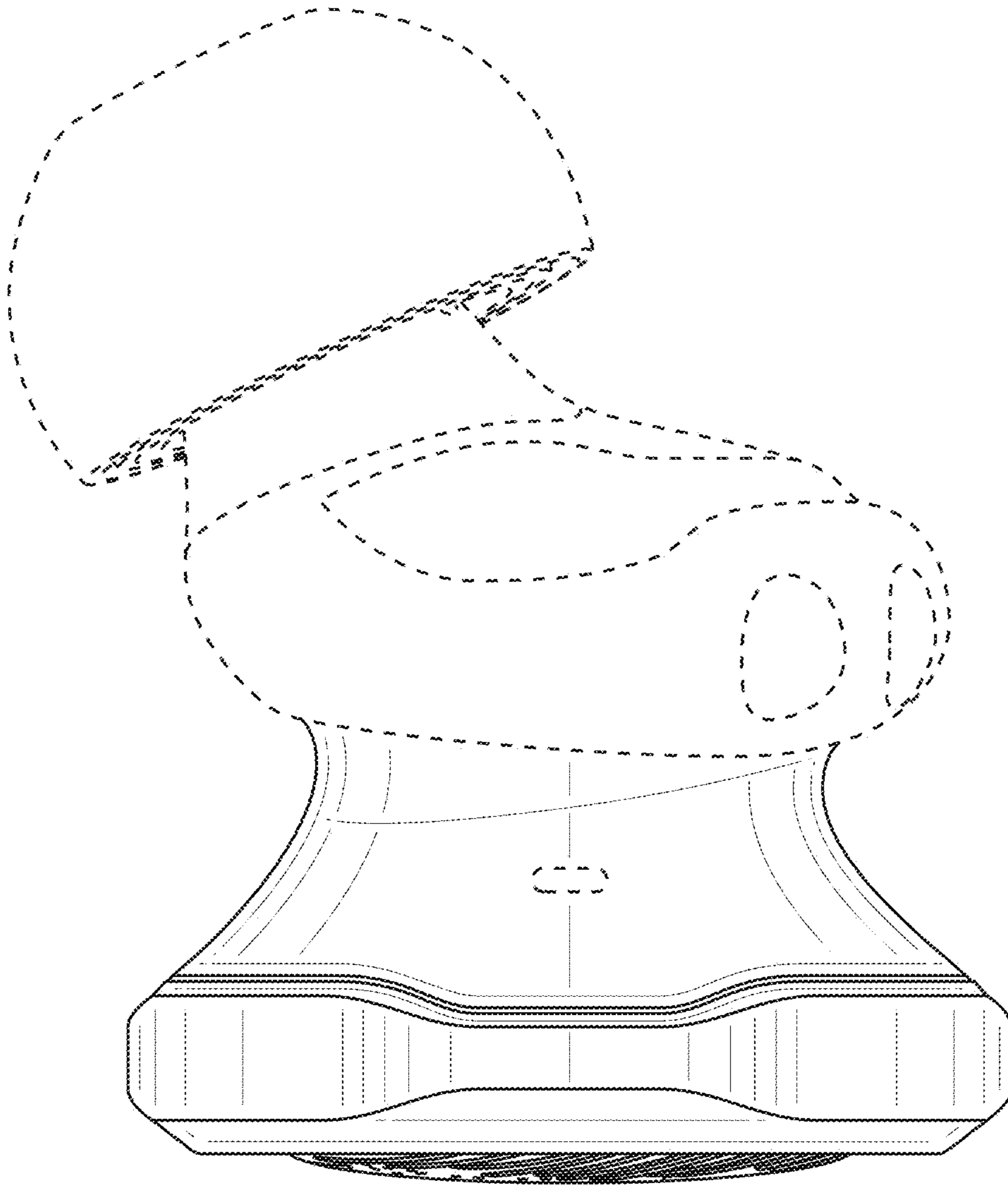


FIG. 6

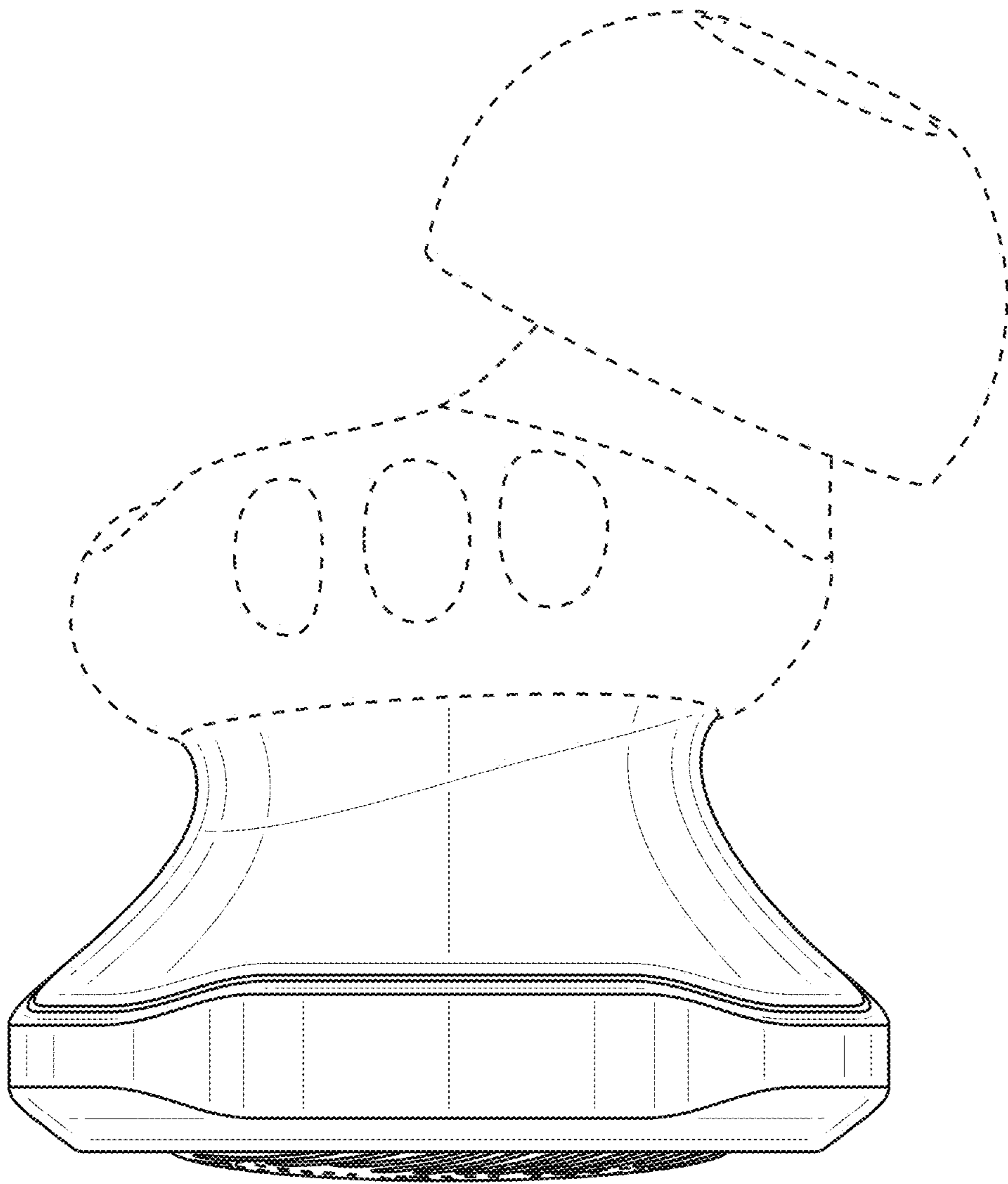


FIG. 7

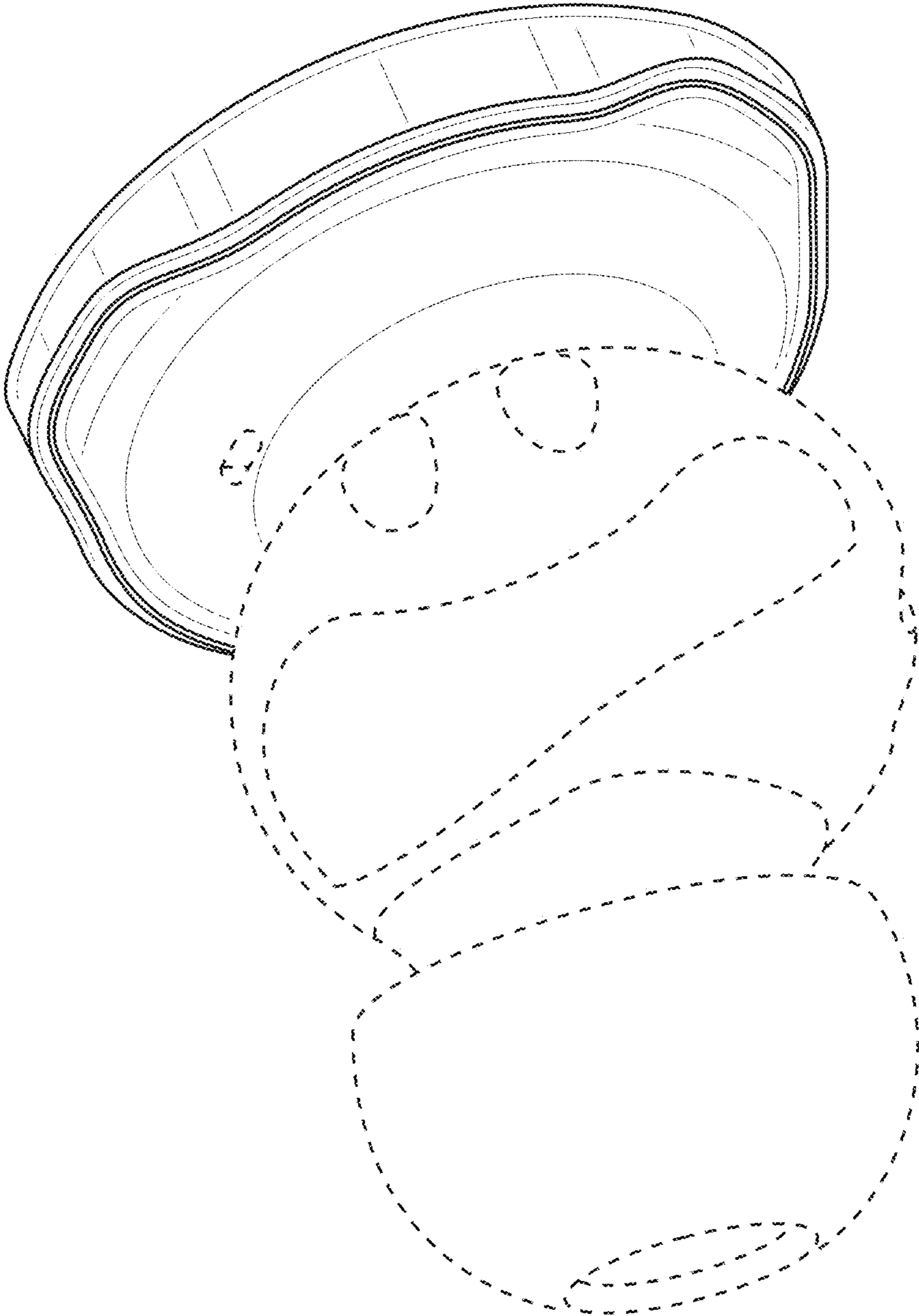


FIG. 8

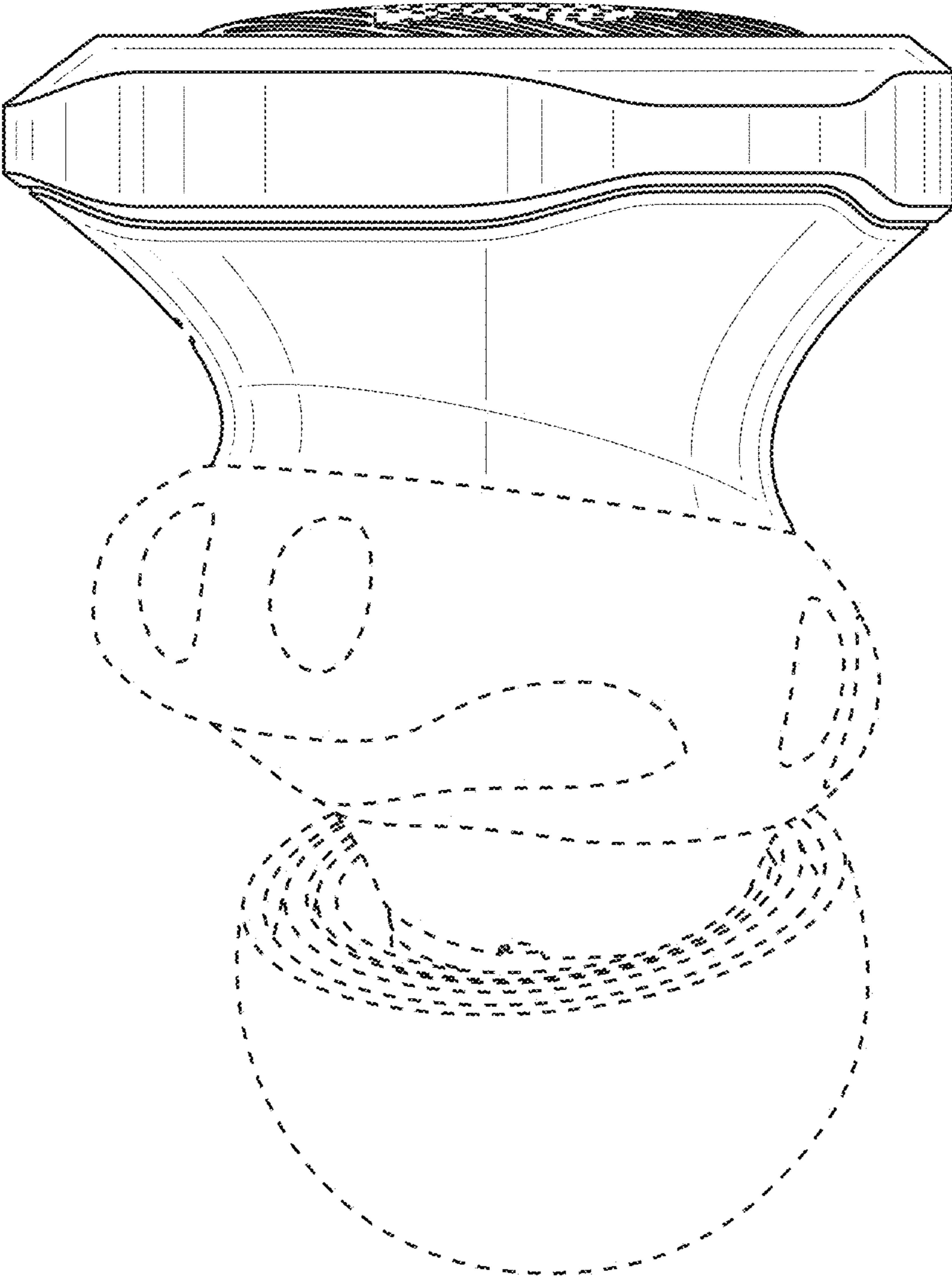


FIG. 9

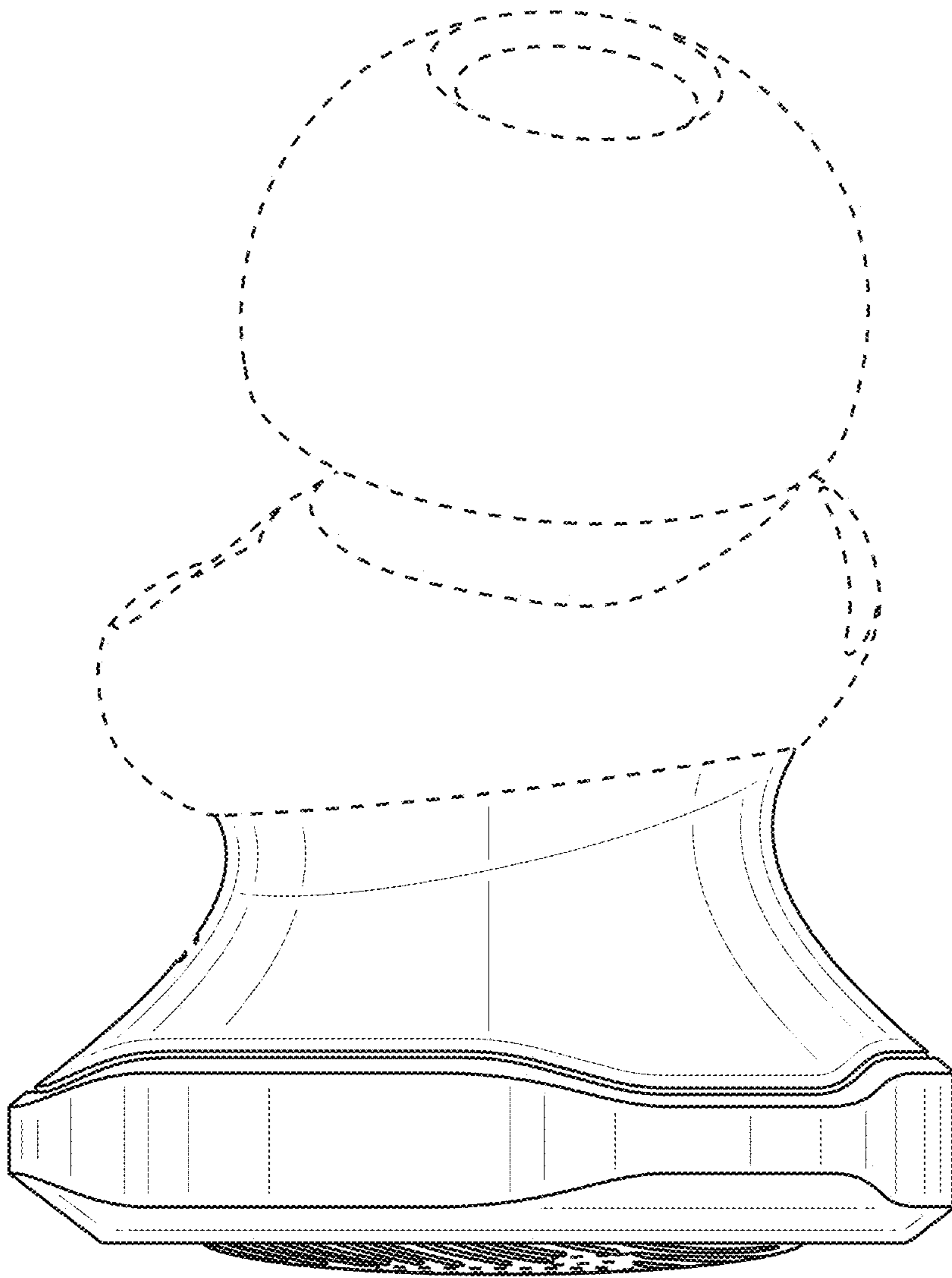


FIG. 10

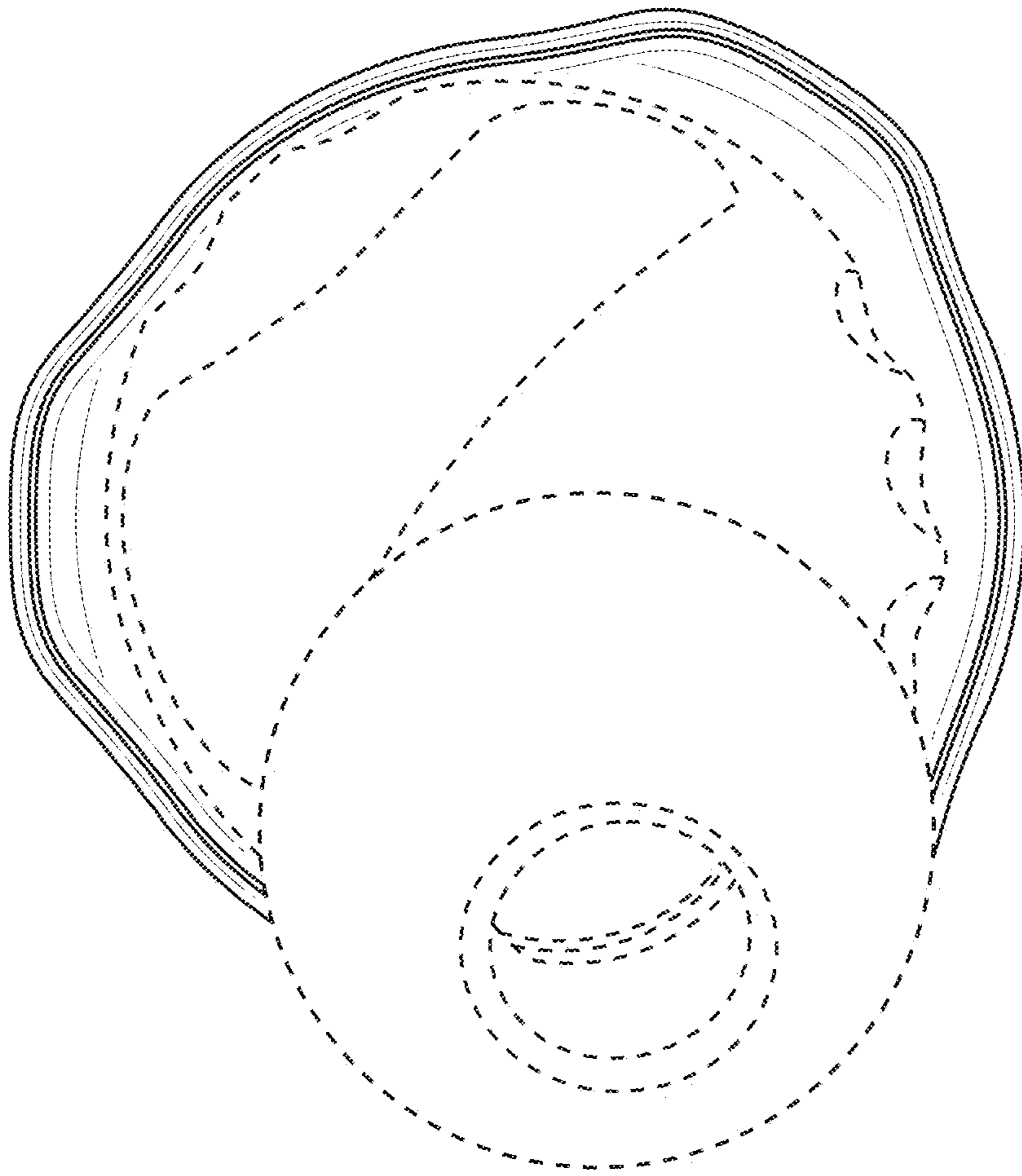


FIG. 11

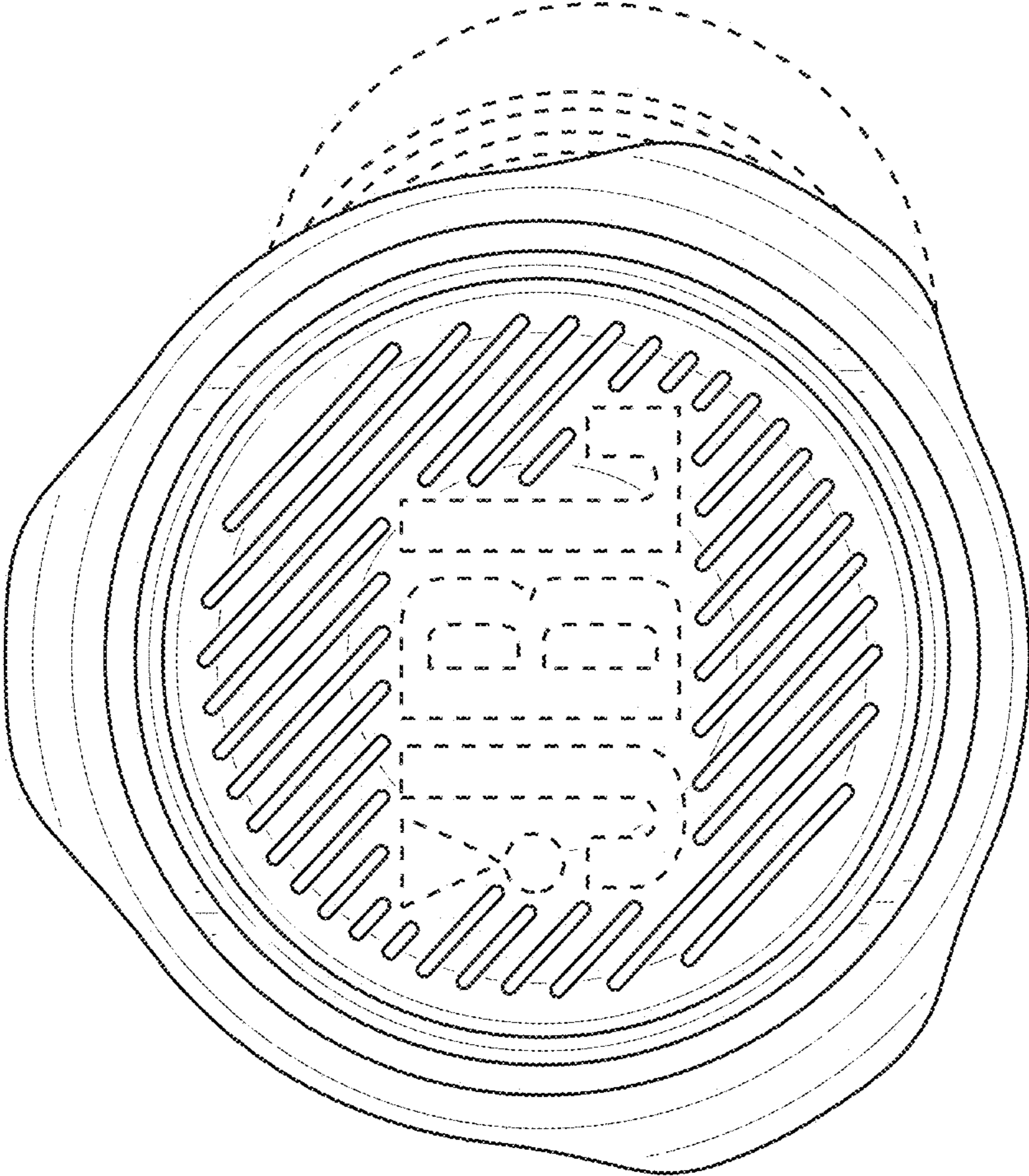


FIG. 12

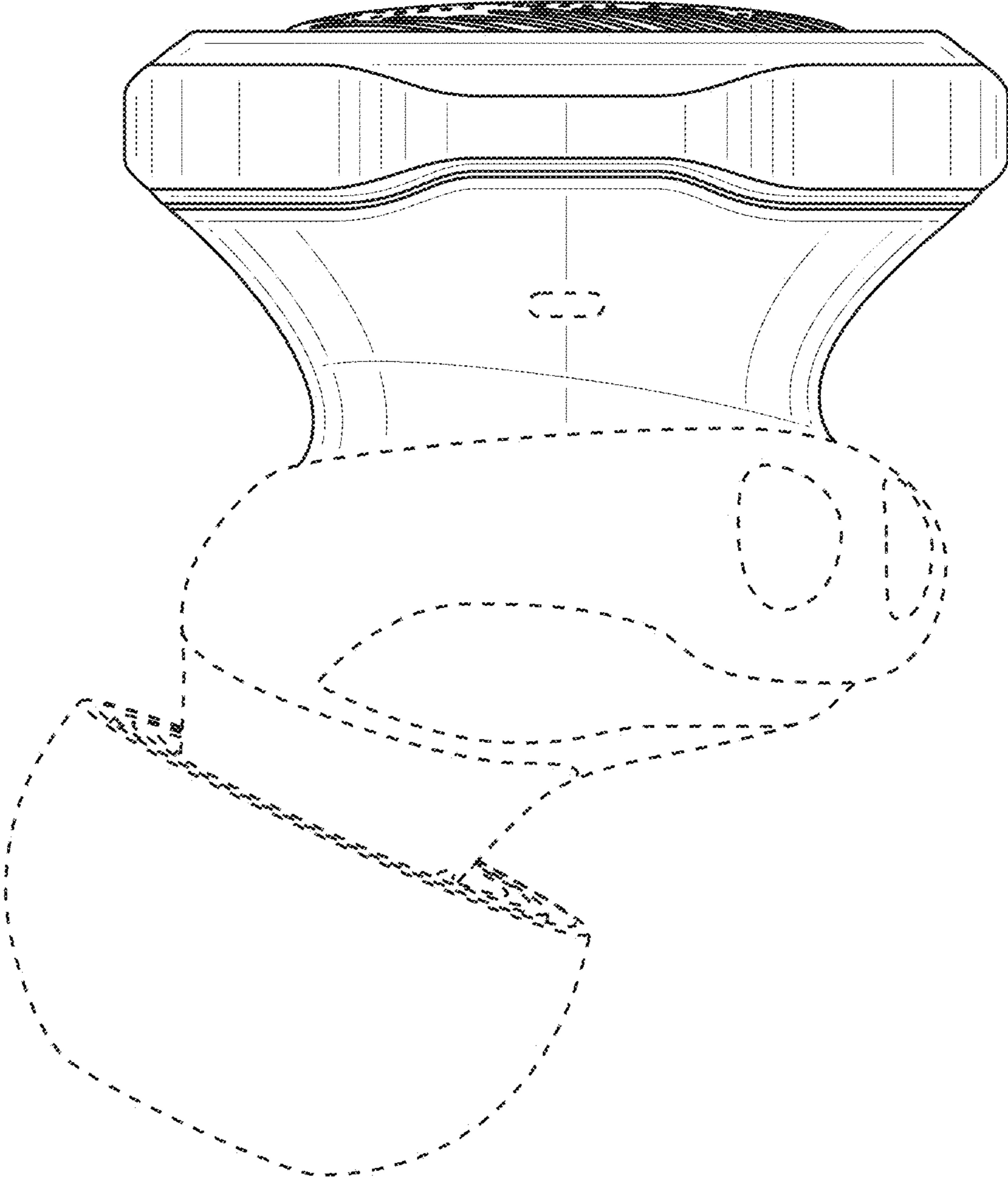


FIG. 13

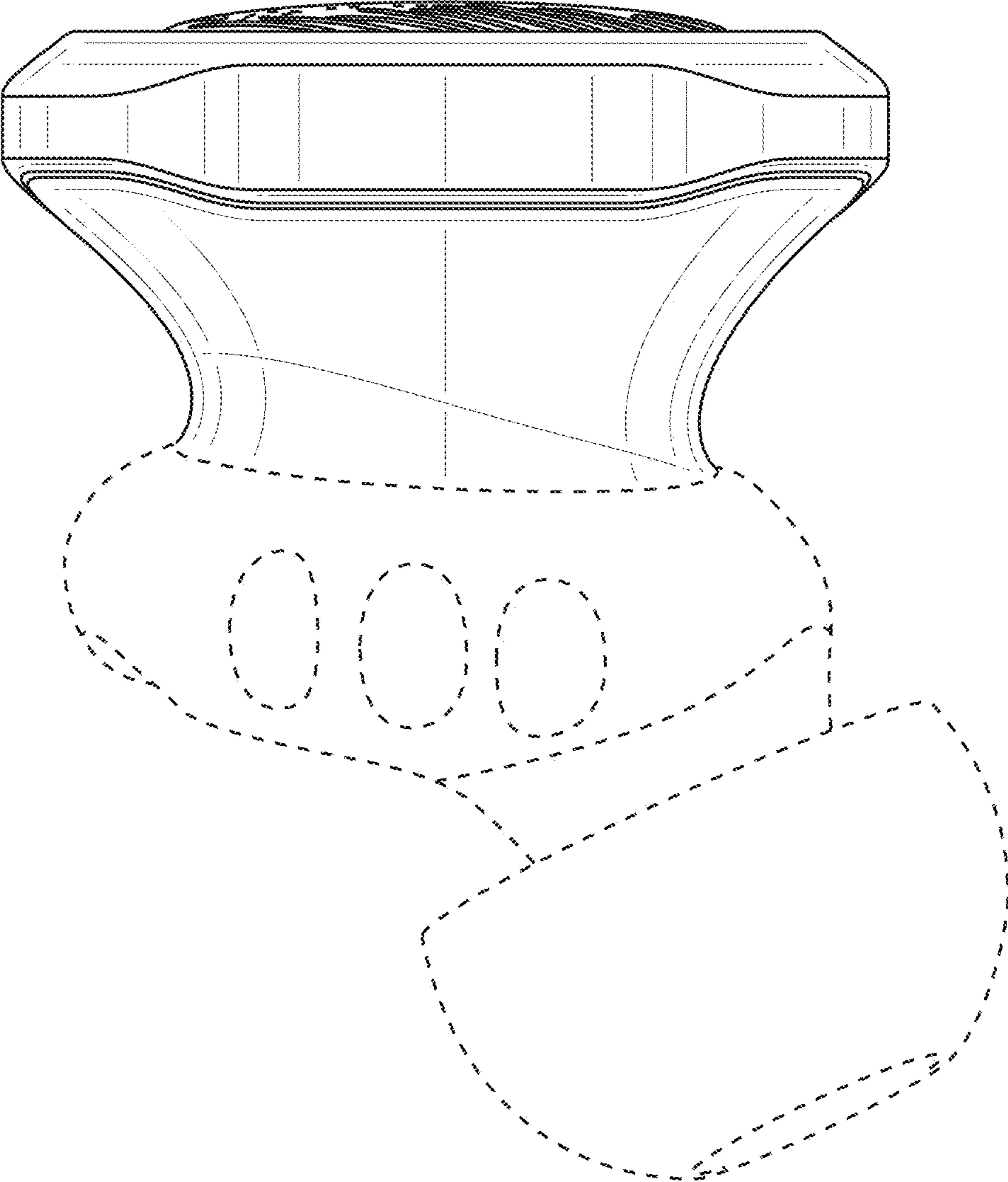


FIG. 14