



US00D931255S

(12) **United States Design Patent**  
**Zhang et al.**

(10) **Patent No.:** **US D931,255 S**  
(45) **Date of Patent:** **\*\* Sep. 21, 2021**

(54) **EARPHONE**

(71) Applicant: **Dongguan UiiSii Electronics Co., Ltd,**  
Guangdong (CN)

(72) Inventors: **Chunyan Zhang,** Guangdong (CN);  
**Yongguo Wu,** Guangdong (CN); **Wei Li,** Guangdong (CN); **Zhongda Chen,**  
Guangdong (CN)

(73) Assignee: **Dongguan UiiSii Electronics Co., Ltd,**  
Dongguan (CN)

(\*\*) Term: **15 Years**

(21) Appl. No.: **29/716,022**

(22) Filed: **Dec. 5, 2019**

(51) **LOC (13) Cl.** ..... **14-01**

(52) **U.S. Cl.**  
USPC ..... **D14/223**

(58) **Field of Classification Search**  
USPC ..... D14/223, 205, 206; D24/174; 128/864,  
128/865, 866; 381/380, 381; 455/90.3,  
455/575.1, 569.1  
CPC ..... H04R 1/10; H04R 25/00; H04R 25/02;  
H04R 1/1016; H04R 5/033; H04R  
5/0335; H04R 1/105; H04R 1/02  
See application file for complete search history.

(56) **References Cited**

**U.S. PATENT DOCUMENTS**

5,410,608	A	*	4/1995	Lucey	.....	H04R 1/083	381/360
D430,146	S	*	8/2000	Lin	.....	D14/223	
D477,821	S	*	7/2003	Bieltvedt	.....	D14/206	
D566,099	S	*	4/2008	Komiyama	.....	D14/206	
D581,900	S	*	12/2008	Caddes	.....	D14/206	
D583,804	S	*	12/2008	Mahler	.....	D14/223	
D594,441	S	*	6/2009	Lee	.....	D14/205	
D598,003	S	*	8/2009	Park	.....	D14/149	

D598,894	S	*	8/2009	Masuda	.....	D14/205	
D604,272	S	*	11/2009	Kitayama	.....	D14/223	
D623,171	S	*	9/2010	Chen	.....	D14/223	
D625,709	S	*	10/2010	Yamamoto	.....	D14/223	
D626,117	S	*	10/2010	Lowry	.....	D14/223	
D643,416	S	*	8/2011	Chong	.....	D14/223	
D643,417	S	*	8/2011	Lee	.....	D14/223	
D647,081	S	*	10/2011	Kwon	.....	D14/223	
8,175,315	B2	*	5/2012	Tanaka	.....	H04R 1/1016	381/370

(Continued)

**FOREIGN PATENT DOCUMENTS**

CN	306412397	*	3/2021
CN	306450949	*	4/2021

(Continued)

*Primary Examiner* — Paula Allen Greene

(57) **CLAIM**

The ornamental design for earphone, as shown and described.

**DESCRIPTION**

FIG. 1 is a perspective view of an earphone showing our new design, the opposite earphone shown in FIG. 9 is a mirror image thereof;

FIG. 2 is a perspective view thereof;

FIG. 3 is a front elevational view thereof;

FIG. 4 is a back elevational view thereof;

FIG. 5 is a left side view thereof;

FIG. 6 is a right side view thereof;

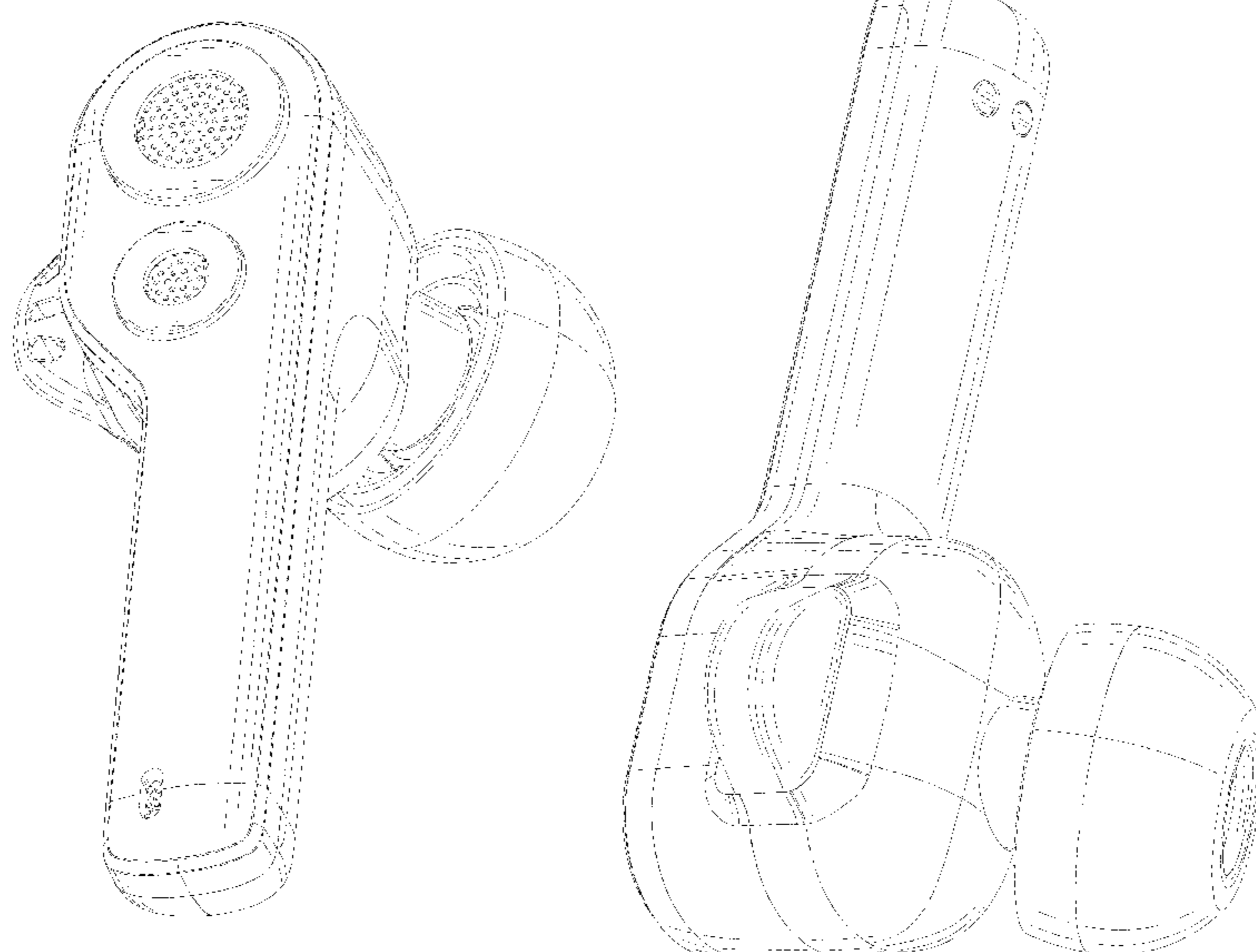
FIG. 7 is a top plan view thereof;

FIG. 8 is a bottom plan view thereof; and,

FIG. 9 is a perspective view of both earphones placed in the headset box thereof, the earphones are mirror images of each other.

The broken lines in the drawing depict environmental subject matter only and form no part of the claimed design.

**1 Claim, 9 Drawing Sheets**



(56)

References Cited

U.S. PATENT DOCUMENTS

D666,581 S \* 9/2012 Perez ..... D14/223  
 D668,244 S \* 10/2012 Matsumura ..... D14/223  
 D679,267 S \* 4/2013 Lee ..... D14/223  
 D683,322 S \* 5/2013 Derby ..... D14/138 G  
 D686,597 S \* 7/2013 Lee ..... D14/223  
 D697,049 S \* 1/2014 Krauss ..... D14/205  
 D698,761 S \* 2/2014 Bao ..... D14/223  
 D701,195 S \* 3/2014 Katsumata ..... D14/223  
 8,712,087 B2 \* 4/2014 Ozawa ..... H04R 1/1016  
 381/380  
 D711,356 S \* 8/2014 Yang ..... D14/223  
 D712,874 S \* 9/2014 Gauger, Jr. .... D14/206  
 D712,884 S \* 9/2014 Krauss ..... D14/223  
 D718,286 S \* 11/2014 Yang ..... D14/223  
 D718,744 S \* 12/2014 Thompson ..... D14/223  
 D719,548 S \* 12/2014 Thompson ..... D14/223  
 8,908,888 B2 \* 12/2014 Wei ..... B82Y 30/00  
 381/164  
 D729,775 S \* 5/2015 Seo ..... D14/223  
 D732,508 S \* 6/2015 Funayama ..... D14/223  
 D733,101 S \* 6/2015 Pi ..... D14/223  
 D735,169 S \* 7/2015 Shieh ..... D14/223  
 D740,255 S \* 10/2015 Samrelius ..... D14/206  
 D740,786 S \* 10/2015 Huang ..... D14/205  
 D746,792 S \* 1/2016 Kim ..... D14/205  
 D750,043 S \* 2/2016 Birger ..... D14/206  
 D760,202 S \* 6/2016 Hsieh ..... D14/223  
 D761,233 S \* 7/2016 Kawaji ..... D14/223  
 D762,616 S \* 8/2016 Hsieh ..... D14/205  
 D764,445 S \* 8/2016 Czaniecki ..... D14/223  
 D766,209 S \* 9/2016 Harper ..... D14/206  
 D770,426 S \* 11/2016 LaBerge ..... H04R 1/1058  
 D14/223  
 D775,108 S \* 12/2016 Hsieh ..... D14/223  
 D777,710 S \* 1/2017 Palmborg ..... D14/223  
 D778,268 S \* 2/2017 Hsieh ..... D14/223  
 D780,155 S \* 2/2017 Levine ..... D14/205

D784,298 S \* 4/2017 Ozawa ..... D14/223  
 D789,909 S \* 6/2017 Hung ..... D14/223  
 D803,184 S \* 11/2017 Loh Jun Kern ..... D14/205  
 D821,363 S \* 6/2018 Chen ..... D14/223  
 D831,619 S \* 10/2018 Matoba ..... D14/223  
 D848,982 S \* 5/2019 Kim ..... D14/223  
 D852,171 S \* 6/2019 Cai ..... D14/223  
 D860,975 S \* 9/2019 Briggs ..... D14/223  
 D864,169 S \* 10/2019 Min ..... D14/223  
 D864,919 S \* 10/2019 Bonahoom ..... D14/223  
 D869,431 S \* 12/2019 Czaniecki ..... D14/205  
 D869,445 S \* 12/2019 Hu ..... D14/223  
 D872,064 S \* 1/2020 Cai ..... D14/223  
 D872,065 S \* 1/2020 Cai ..... D14/223  
 D872,711 S \* 1/2020 Hu ..... D14/223  
 D873,248 S \* 1/2020 Weicheng ..... D14/223  
 D882,553 S \* 4/2020 Wu ..... D14/223  
 D883,260 S \* 5/2020 Hu ..... D14/223  
 D887,394 S \* 6/2020 Zhang ..... D14/223  
 D889,436 S \* 7/2020 Zhang ..... D14/223  
 D890,724 S \* 7/2020 Li ..... D14/223  
 D895,579 S \* 9/2020 Yang ..... D14/223  
 D914,644 S \* 3/2021 Zhu ..... D14/223  
 D916,058 S \* 4/2021 Wu ..... D14/223  
 2009/0116678 A1 \* 5/2009 Bevirt ..... H04M 1/05  
 381/381  
 2012/0275632 A1 \* 11/2012 Huang ..... H04R 1/2826  
 381/345  
 2013/0195310 A1 \* 8/2013 Lin ..... H04R 1/105  
 381/380  
 2014/0064535 A1 \* 3/2014 Zhao ..... H04R 1/021  
 381/332  
 2019/0182575 A1 \* 6/2019 Julstrom ..... H04R 1/1083

FOREIGN PATENT DOCUMENTS

CN 306469367 \* 4/2021  
 CN 306478951 \* 4/2021  
 CN 306495024 \* 4/2021

\* cited by examiner

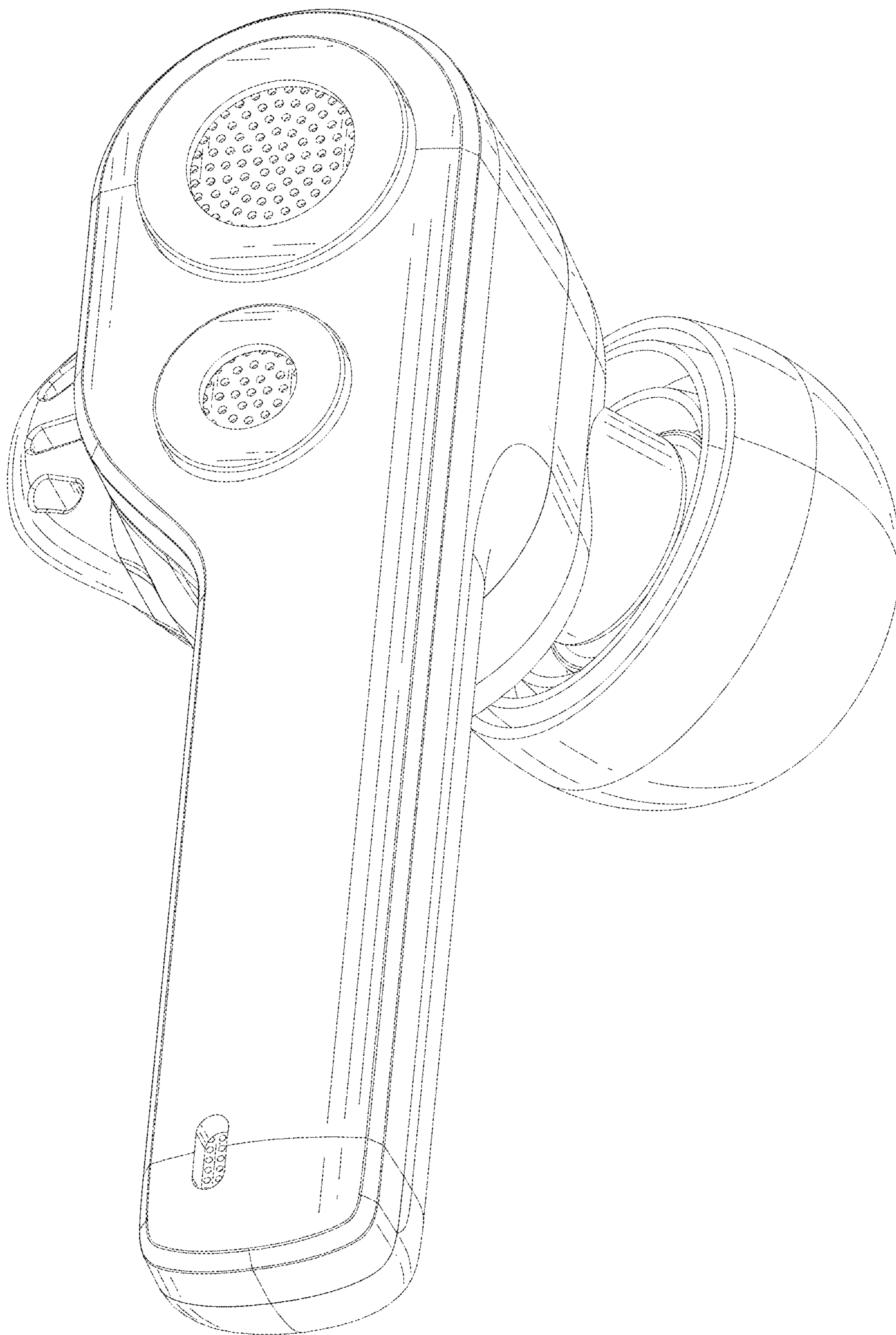


FIG. 1

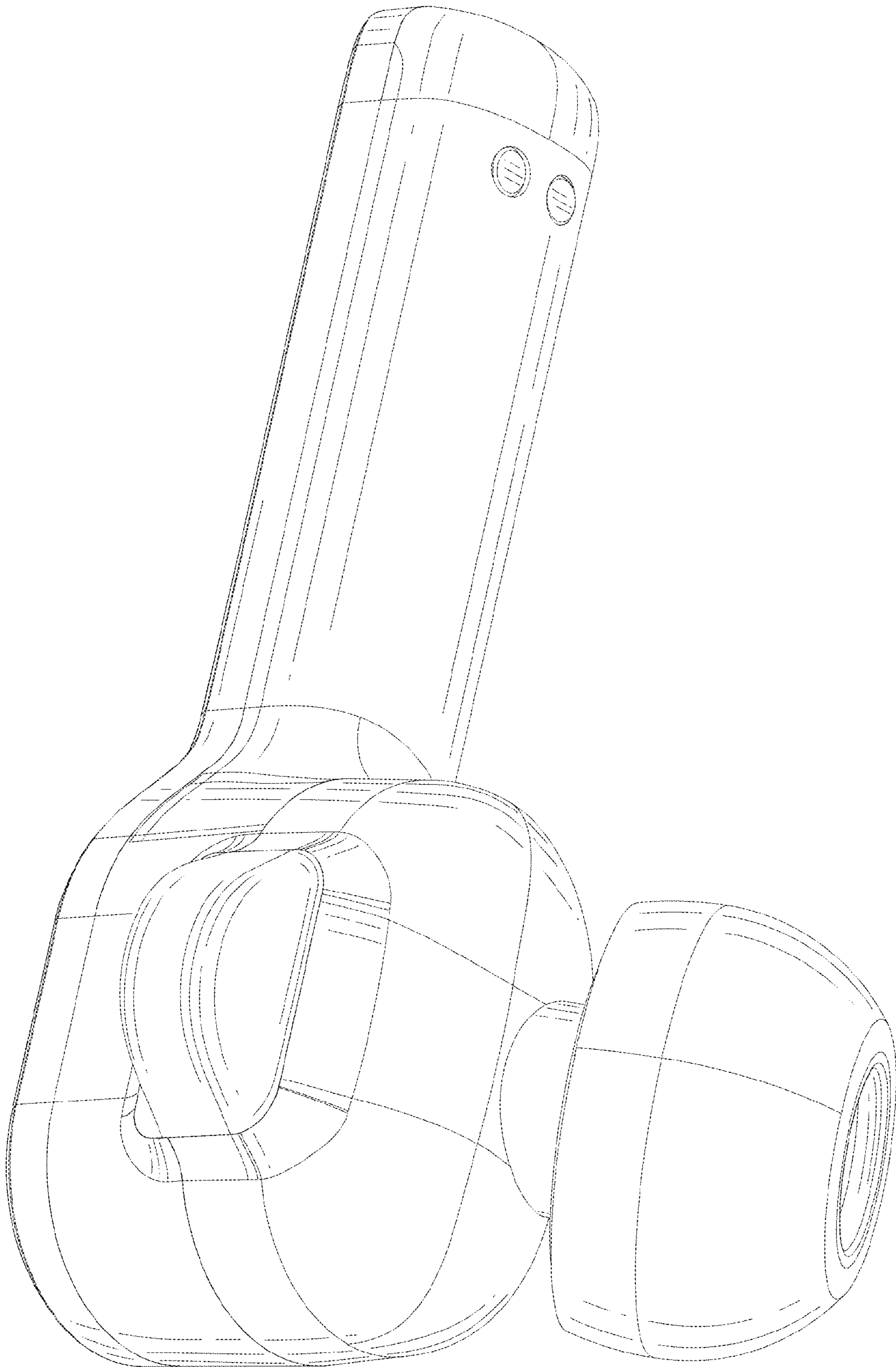


FIG. 2

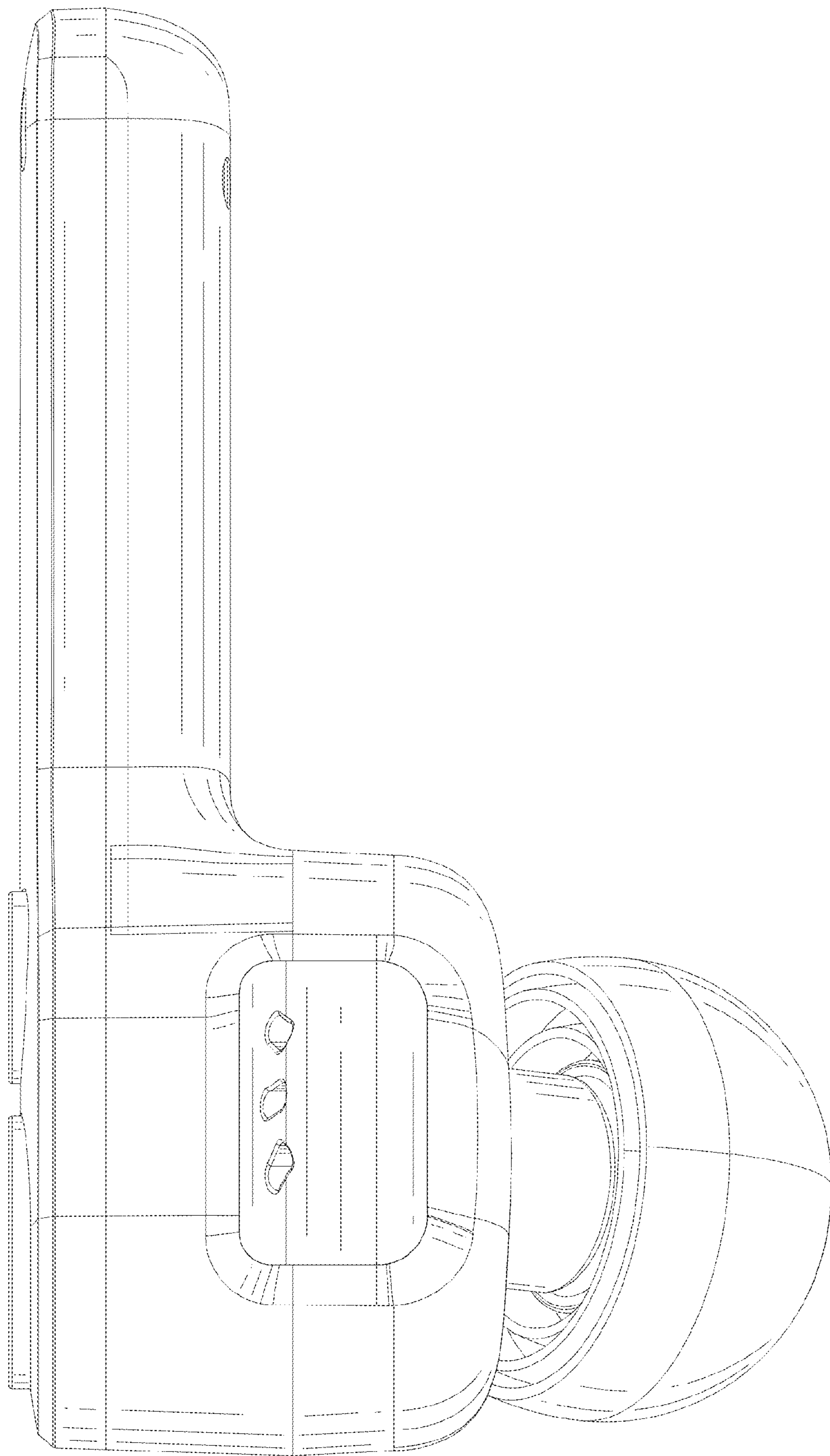


FIG. 3

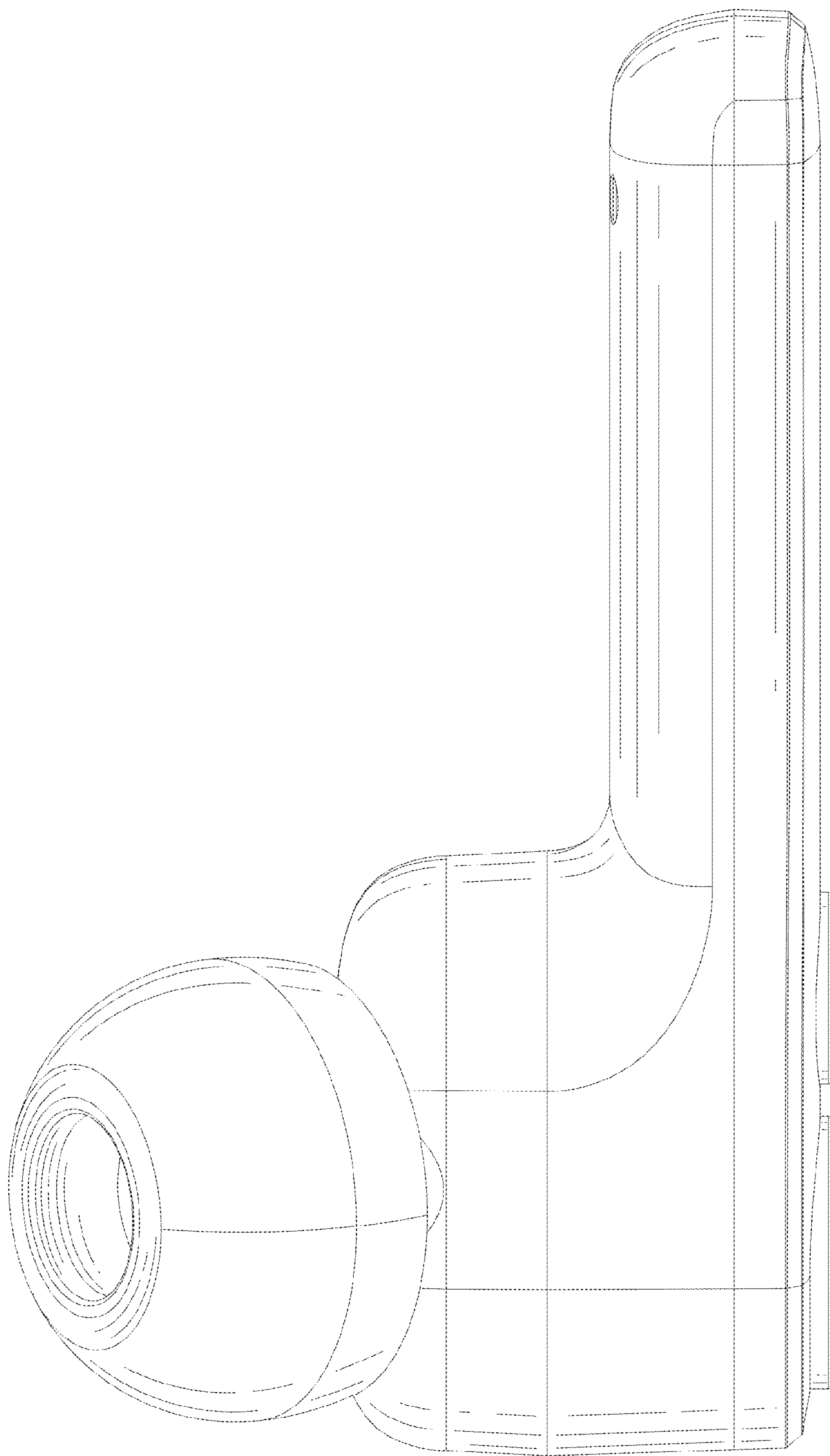


FIG. 4

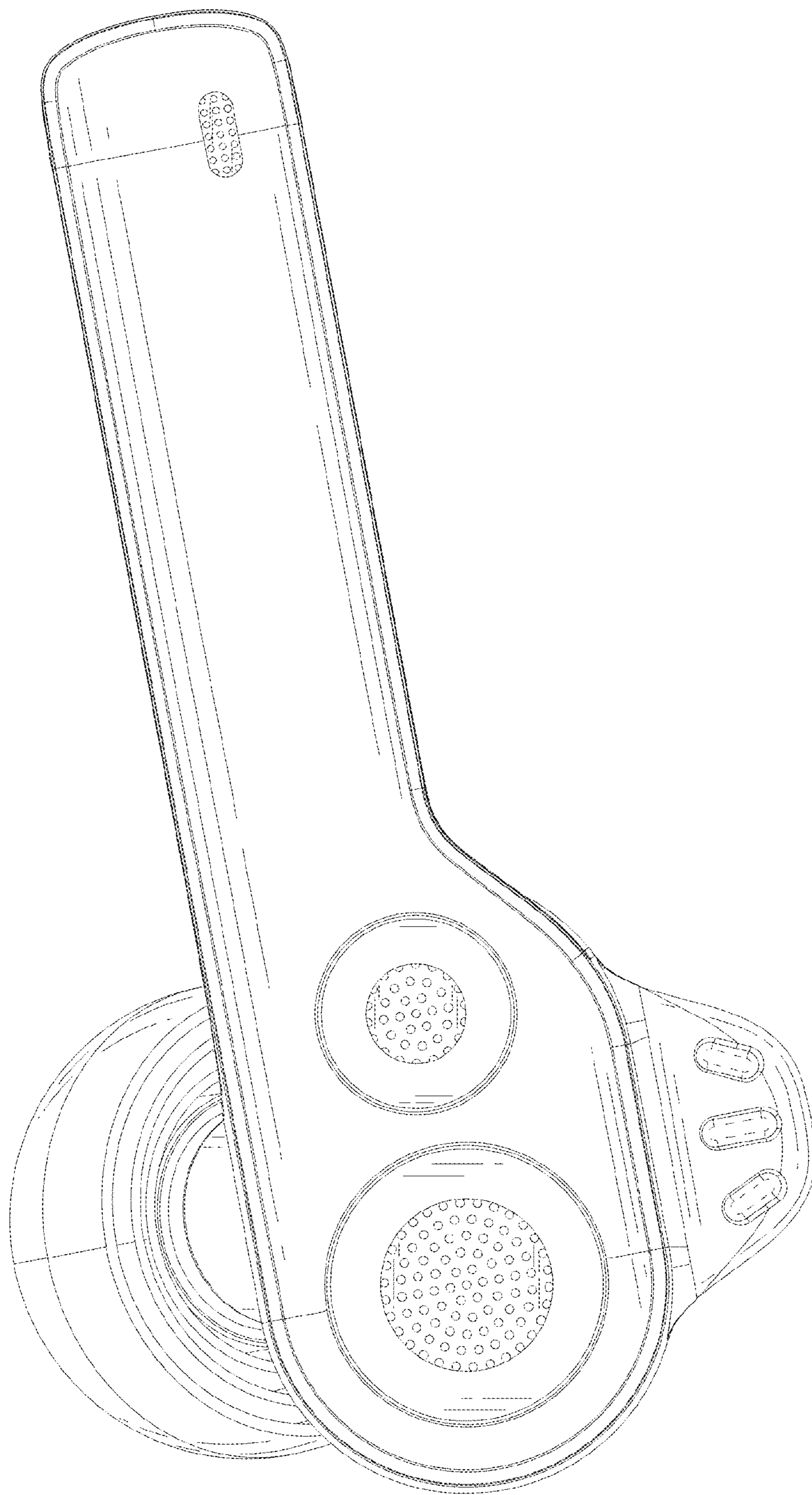


FIG. 5

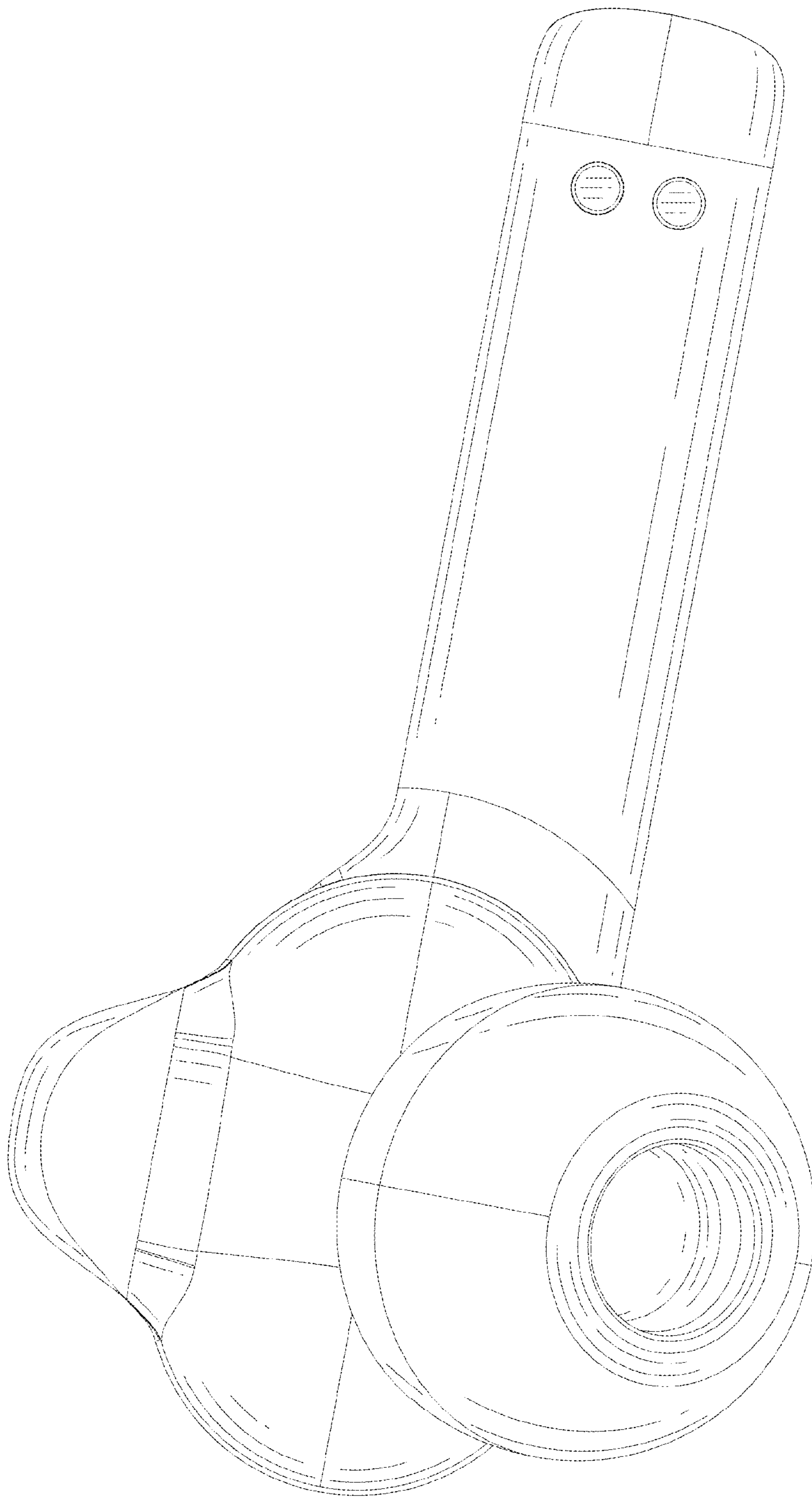


FIG. 6



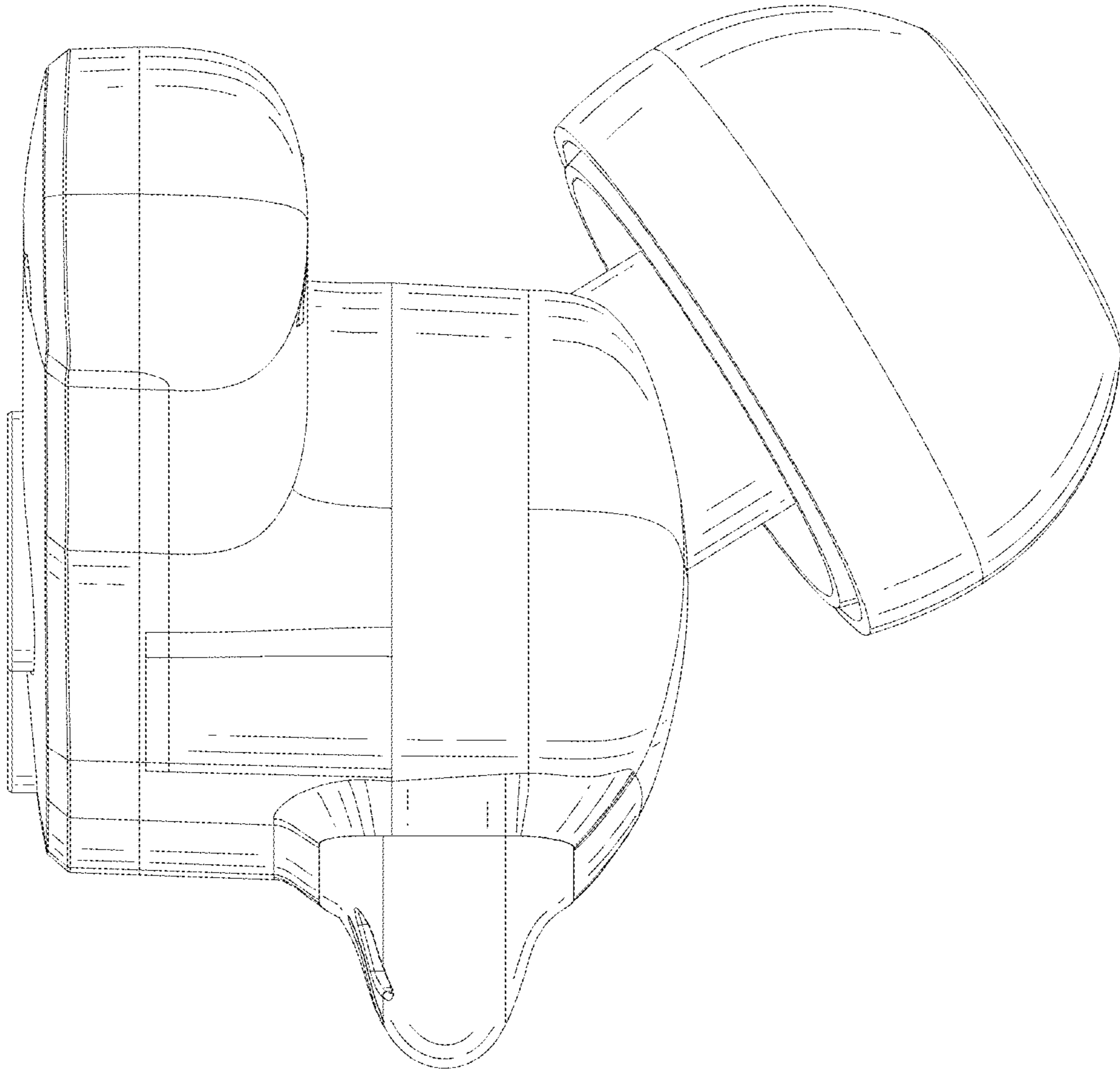


FIG. 7



FIG. 8

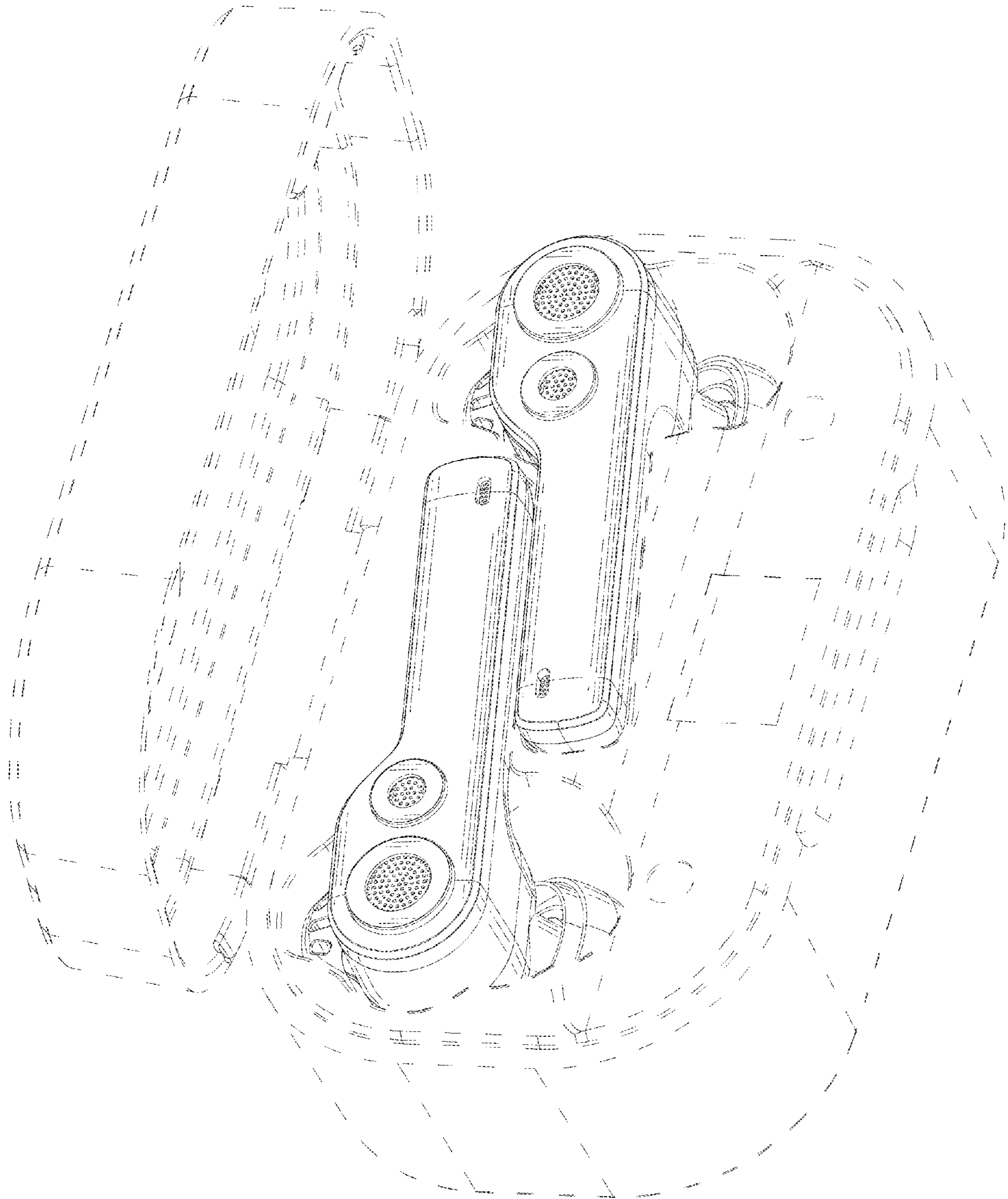


FIG. 9