



US00D931254S

(12) **United States Design Patent**  
**Lin**

(10) **Patent No.:** **US D931,254 S**  
(45) **Date of Patent:** **\*\* Sep. 21, 2021**

(54) **SPEAKER**

(71) Applicant: **XiaoYi Technology(Shenzhen) Co., LTD.,** ShenZhen (CN)

(72) Inventor: **Canye Lin,** Guangdong (CN)

(\*\*) Term: **15 Years**

(21) Appl. No.: **29/732,791**

(22) Filed: **Apr. 28, 2020**

(51) **LOC (13) Cl.** ..... **14-01**

(52) **U.S. Cl.**

USPC ..... **D14/215;** D14/204

(58) **Field of Classification Search**

USPC ..... D14/155–159, 160–173, 187–188,

D14/203.1–203.8, 204–216, 217–222,

D14/225–229, 496, 498, 507

CPC ..... H04R 1/02; H04R 1/021; H04R 1/025;

H04R 1/026; H04R 1/028; H04R 1/06;

H04R 1/105; H04R 1/323; H04R 1/403;

H04R 1/2803; H04R 1/2834

See application file for complete search history.

(56) **References Cited**

**U.S. PATENT DOCUMENTS**

D582,429 S	*	12/2008	Kusano	.....	D14/496
D720,347 S	*	12/2014	Lo	.....	D14/348
D738,822 S	*	9/2015	Stewart	.....	D13/108
D740,224 S	*	10/2015	Stewart	.....	D13/108
D849,006 S	*	5/2019	Pang	.....	D14/433
D854,010 S	*	7/2019	Deng	.....	D14/358
D857,678 S	*	8/2019	Vardi	.....	D14/242
D859,415 S	*	9/2019	Liao	.....	D14/434
D865,713 S	*	11/2019	Roberts	.....	D14/210
D873,240 S	*	1/2020	Roberts	.....	D14/210
D879,034 S	*	3/2020	Wu	.....	D13/108
D901,441 S	*	11/2020	Huang	.....	D14/214
D905,011 S	*	12/2020	Chen	.....	D14/214
D906,959 S	*	1/2021	Turksu	.....	D13/108
D912,621 S	*	3/2021	Qiu	.....	D13/108
D914,680 S	*	3/2021	Traitel	.....	D14/358

**FOREIGN PATENT DOCUMENTS**

CN 305135905 \* 4/2019  
CN 306071466 \* 9/2020

**OTHER PUBLICATIONS**

Magicteam Sleep Sound White Noise Machine, date first available: May 27, 2019, [retrieved Jun. 30, 2021], Retrieved from Internet, URL: <[https://www.amazon.com/dp/B07RV7YDG6/ref=sspa\\_dk\\_detail\\_7?psc=1&pd\\_rd\\_i=B07RV7YDG6&pd\\_rd\\_w=1Yy48&pf\\_rd\\_p=5d846283-ed3e-4512-%E2%80%A6/11](https://www.amazon.com/dp/B07RV7YDG6/ref=sspa_dk_detail_7?psc=1&pd_rd_i=B07RV7YDG6&pd_rd_w=1Yy48&pf_rd_p=5d846283-ed3e-4512-%E2%80%A6/11)> (Year: 2019).\*

Sleepbox Sound Machines, date first available: May 28, 2021, [retrieved Jun. 30, 2021], Retrieved from Internet, URL: <[https://www.amazon.com/dp/B09631P8TV/ref=sspa\\_dk\\_detail\\_6?pd\\_rd\\_i=B09631P8TV&pd\\_rd\\_w=y3J7E&pf\\_rd\\_p=5d846283-ed3e-4512-a7%E2%80%A6&th=1](https://www.amazon.com/dp/B09631P8TV/ref=sspa_dk_detail_6?pd_rd_i=B09631P8TV&pd_rd_w=y3J7E&pf_rd_p=5d846283-ed3e-4512-a7%E2%80%A6&th=1)> (Year: 2021).\*

(Continued)

*Primary Examiner* — Barbara Fox

*Assistant Examiner* — Aram Kwon

(57) **CLAIM**

The ornamental design for a speaker, as shown and described.

**DESCRIPTION**

FIG. 1 is a front and top perspective view of a speaker, showing my new design;

FIG. 2 is a rear and bottom perspective view thereof;

FIG. 3 is a rear elevational view thereof;

FIG. 4 is a front elevational view thereof;

FIG. 5 is a left side elevational view thereof;

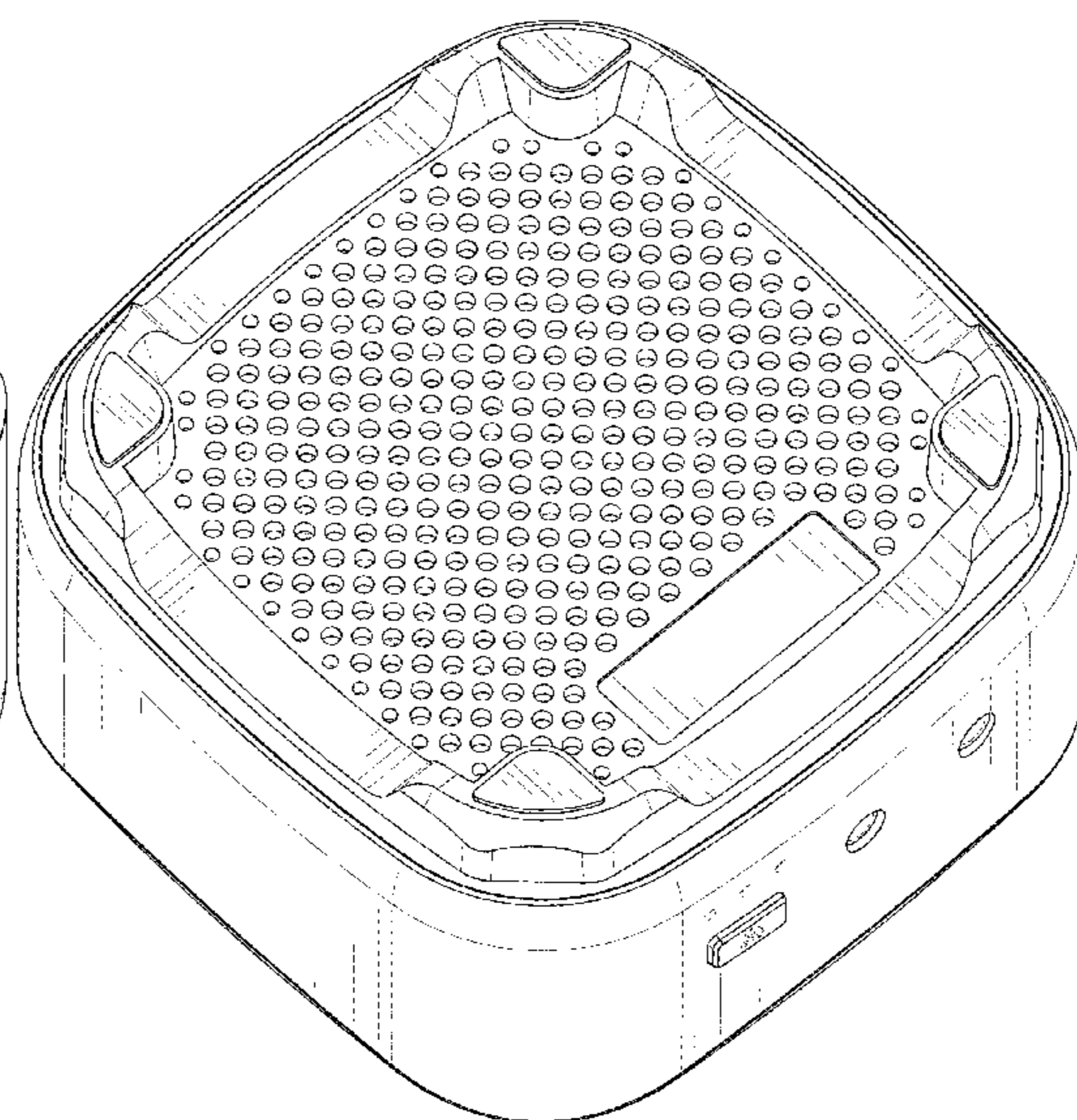
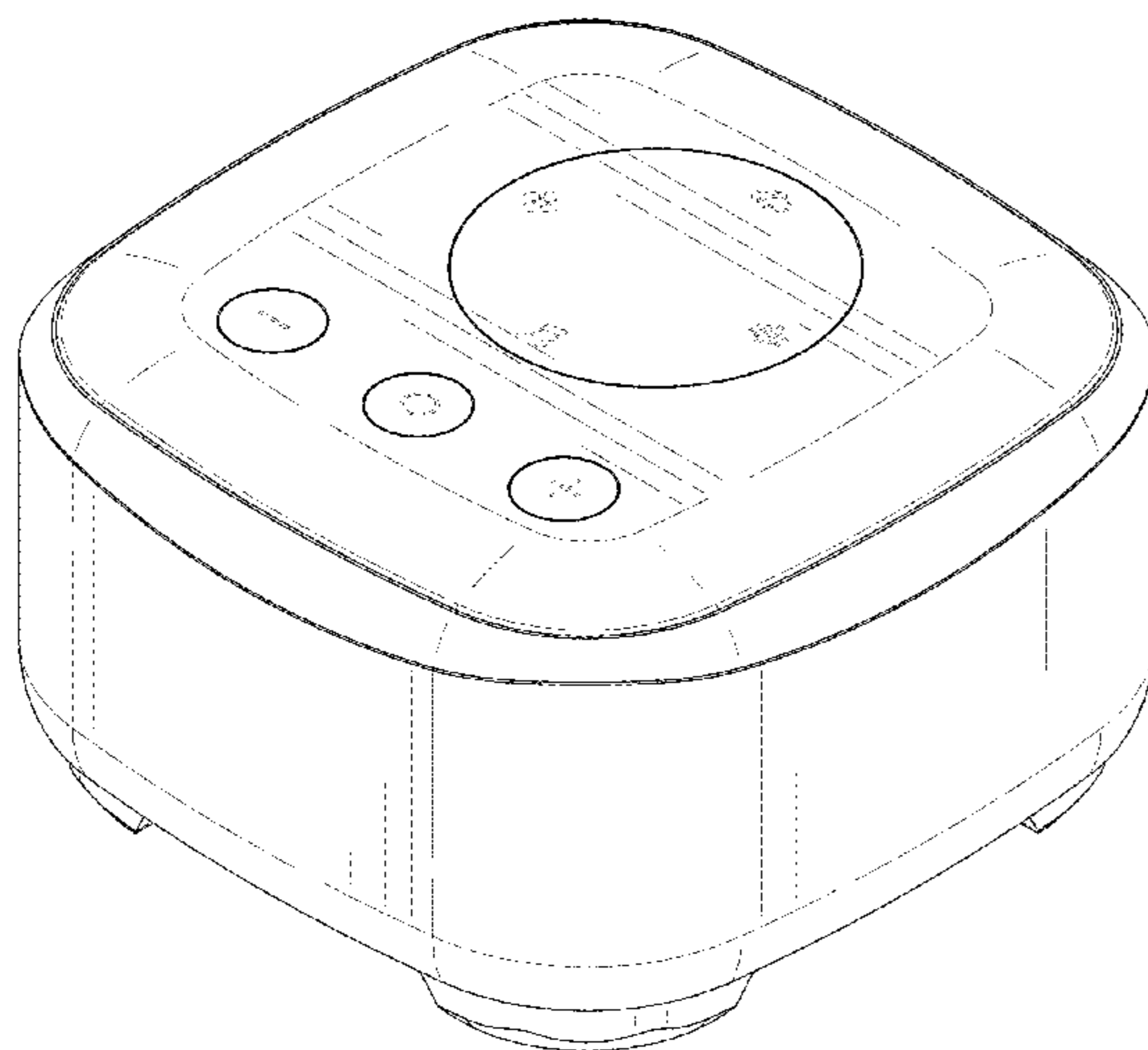
FIG. 6 is a right side elevational view thereof;

FIG. 7 is a top plan view thereof; and,

FIG. 8 is a bottom plan view thereof.

The broken lines in the figures depict portions of the speaker that form no part of the claimed design.

**1 Claim, 8 Drawing Sheets**



(56)

**References Cited**

OTHER PUBLICATIONS

White Noise Machine, date first available: Sep. 17, 2020, [retrieved Jun. 30, 2021], Retrieved from Internet, URL: <<https://www.amazon.com/eleories-Portable-Sleeping-Soothing-Including/dp/B08JCP45YV>> (Year: 2020).\*

\* cited by examiner

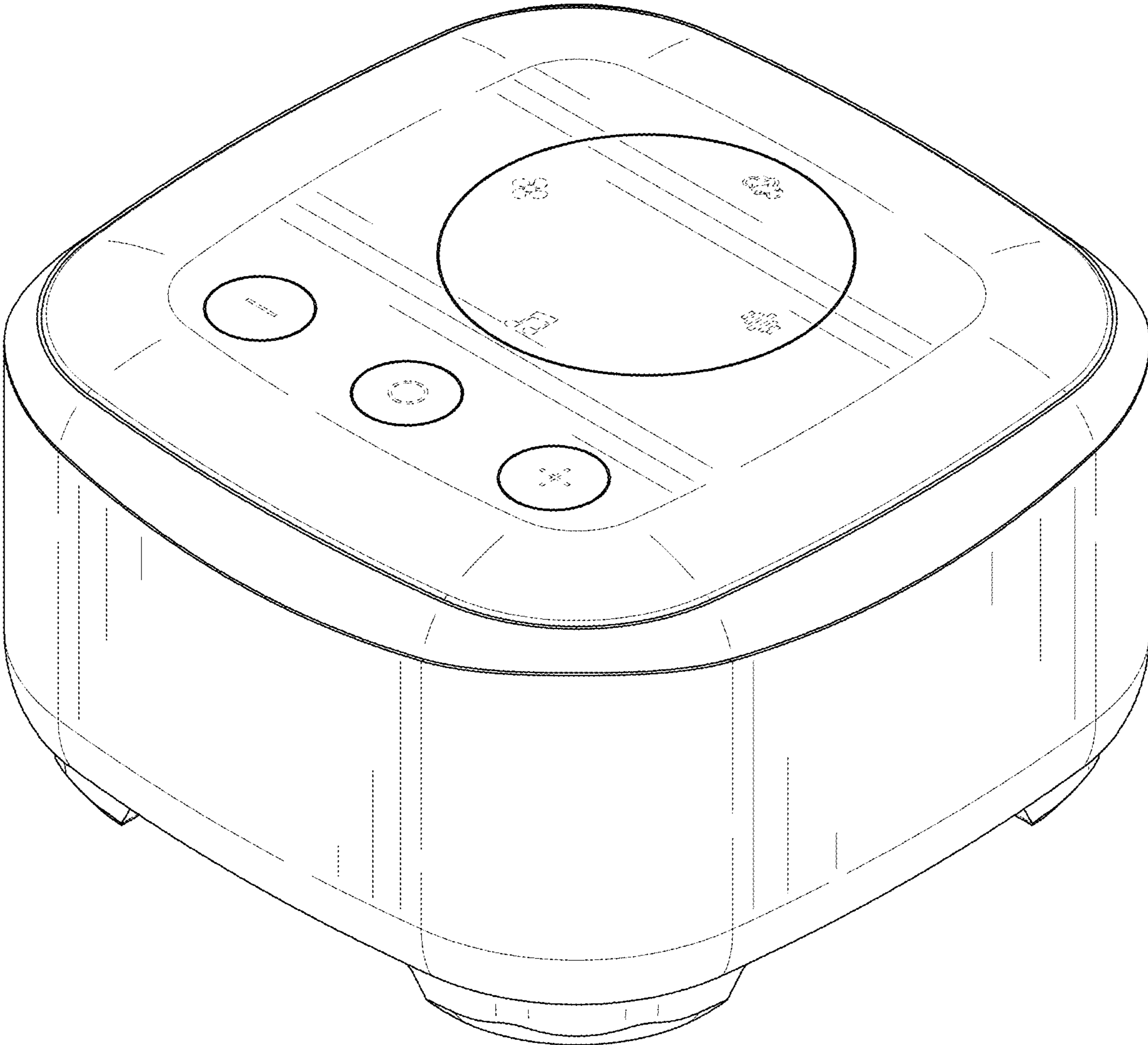


FIG. 1

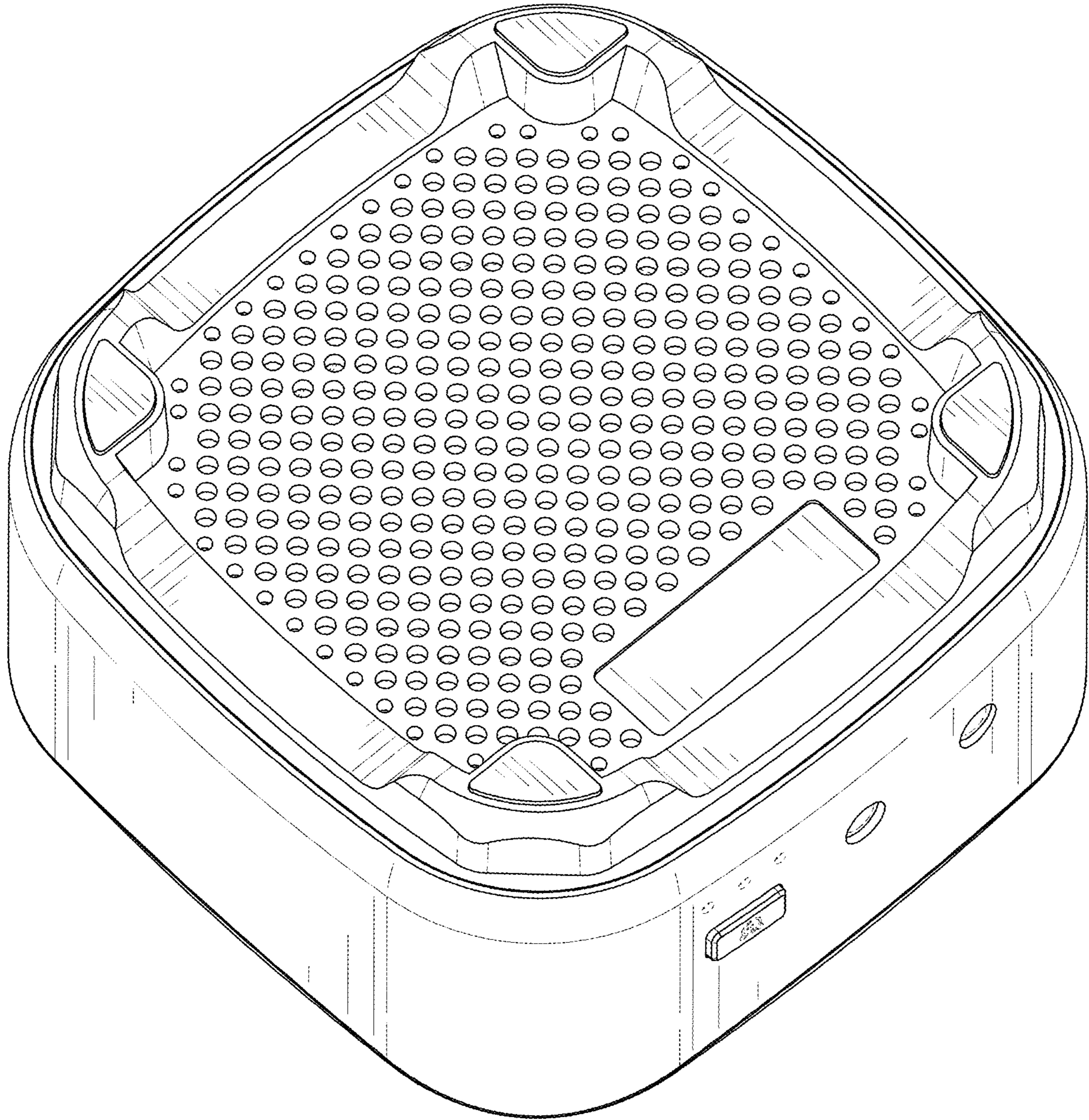


FIG. 2

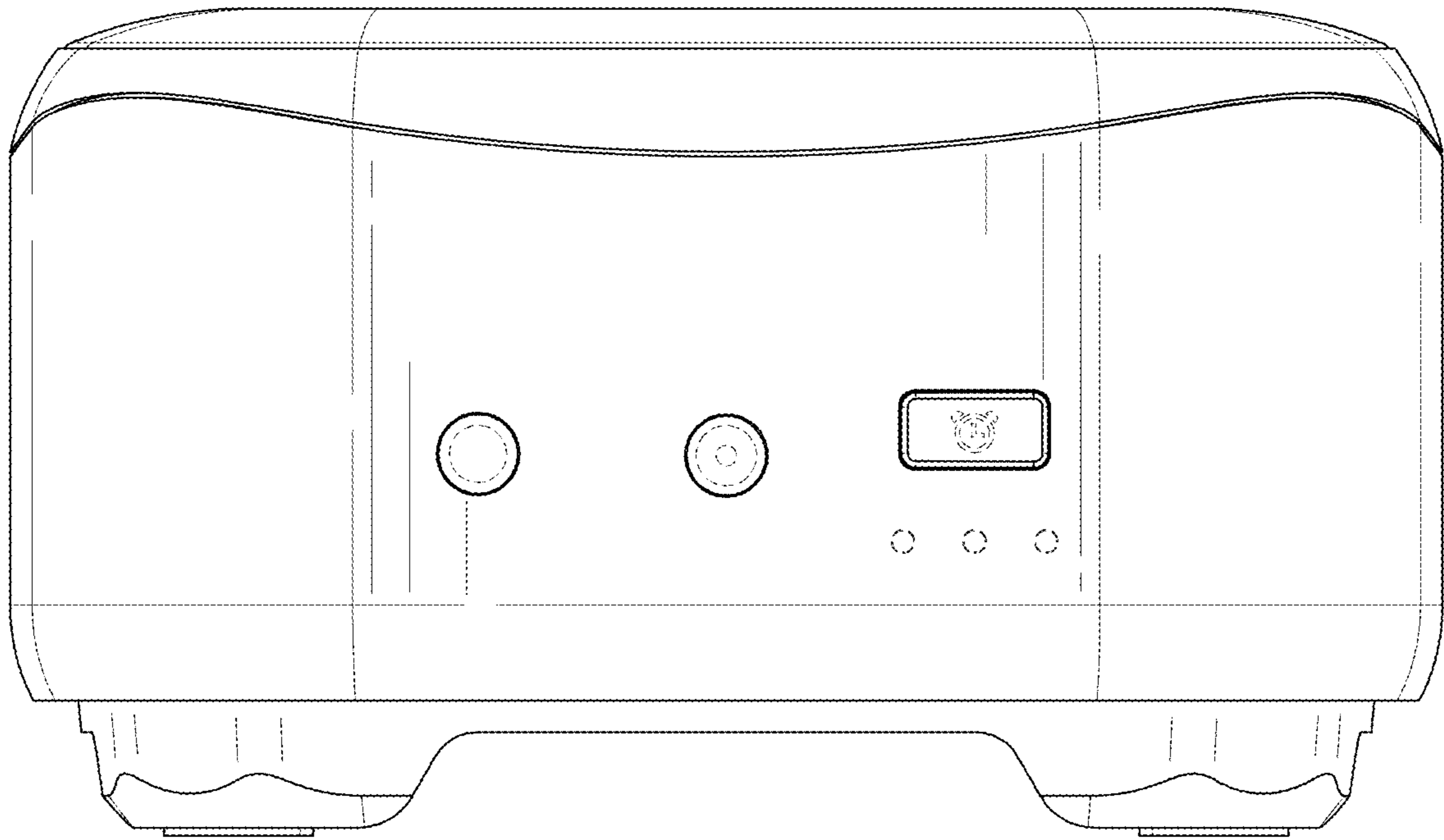


FIG. 3

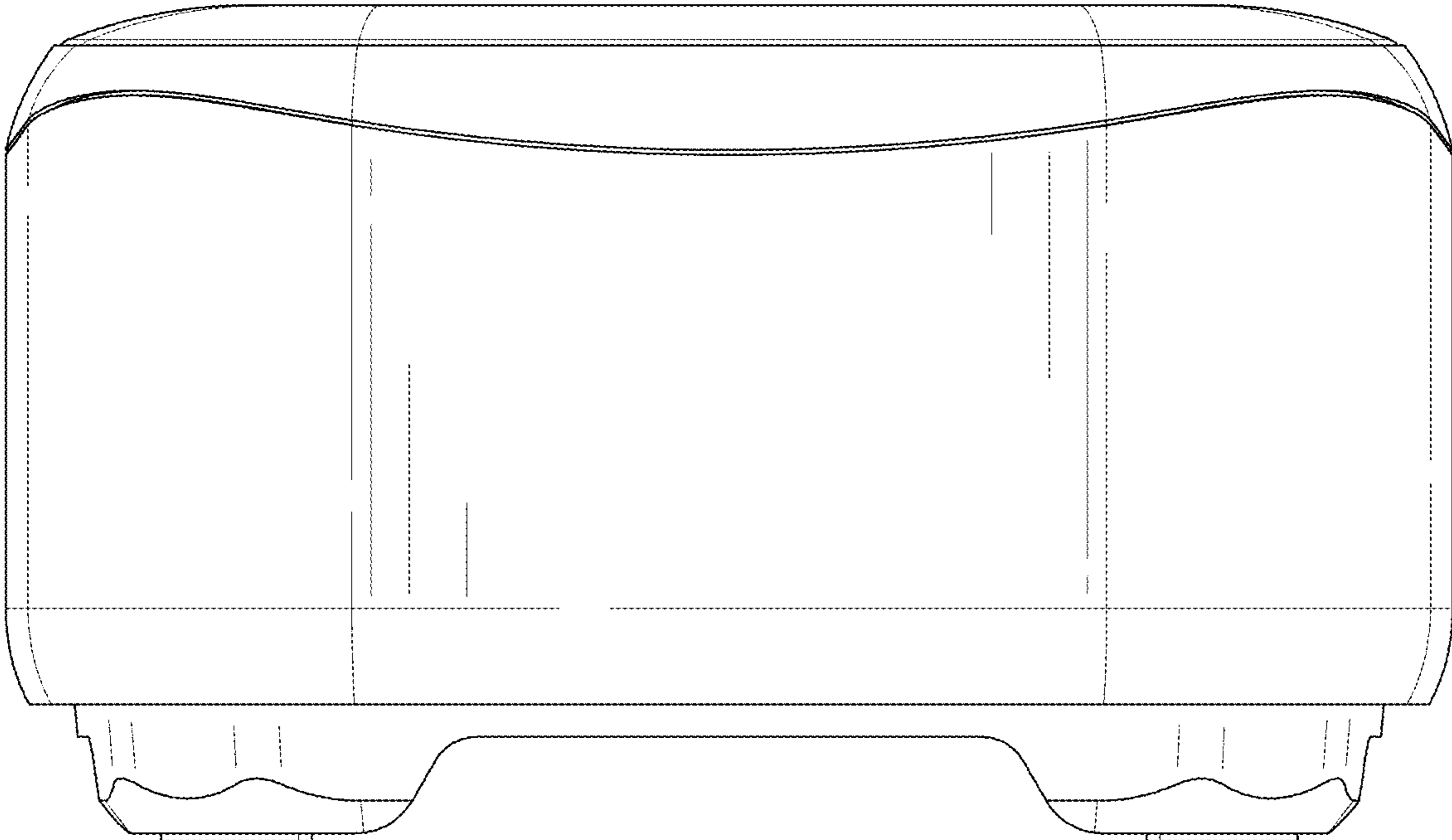


FIG. 4

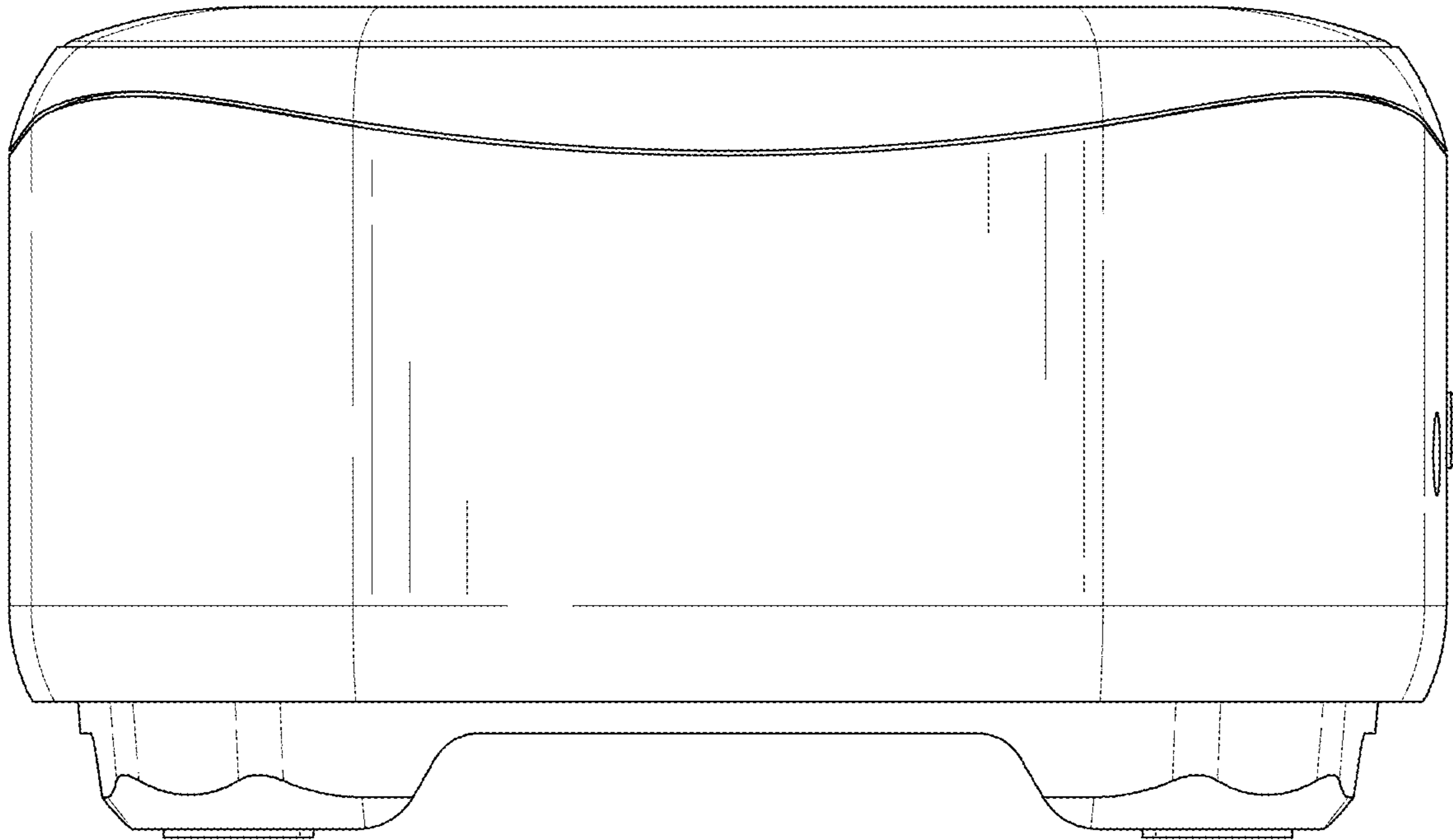


FIG. 5

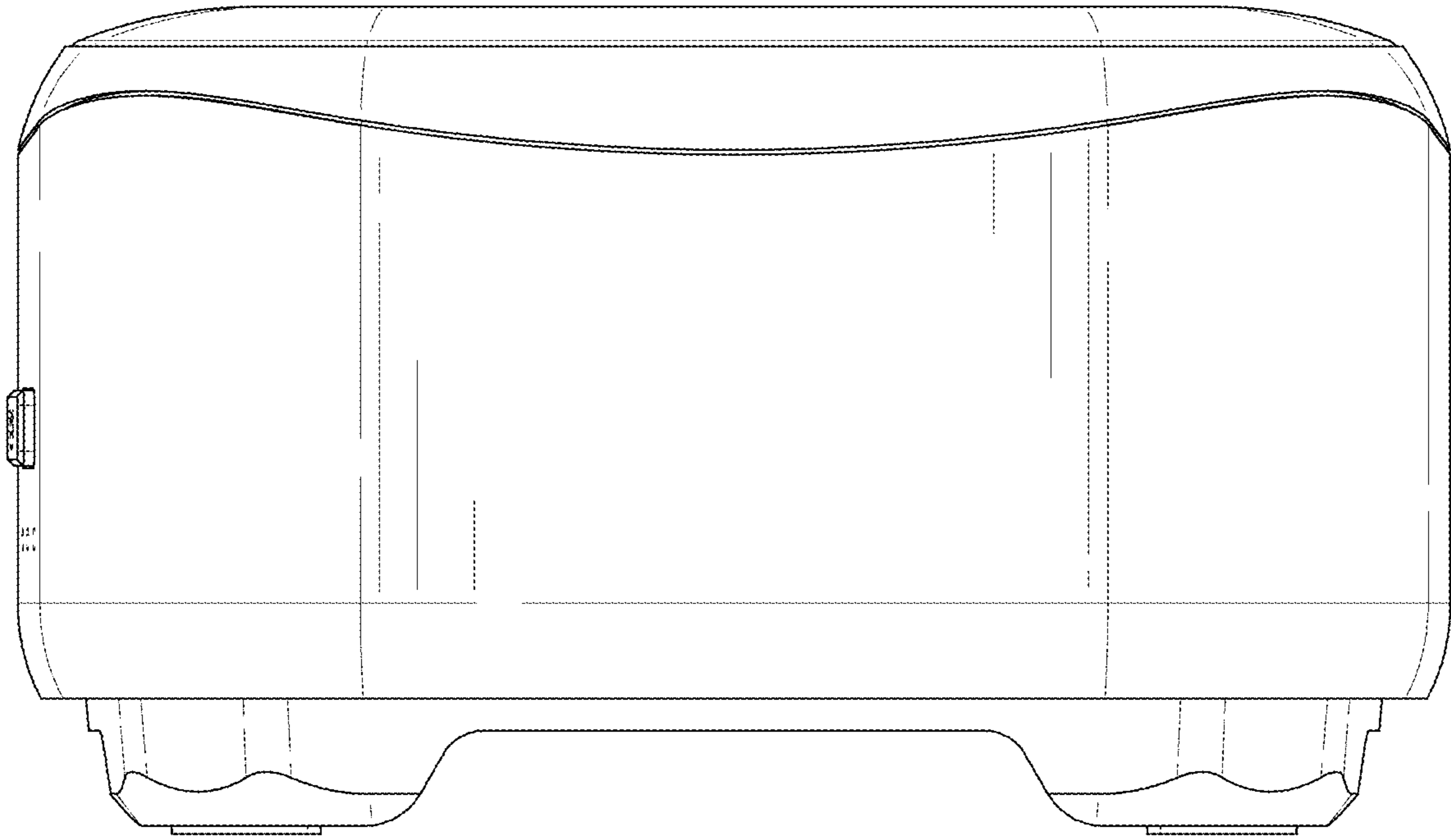


FIG. 6



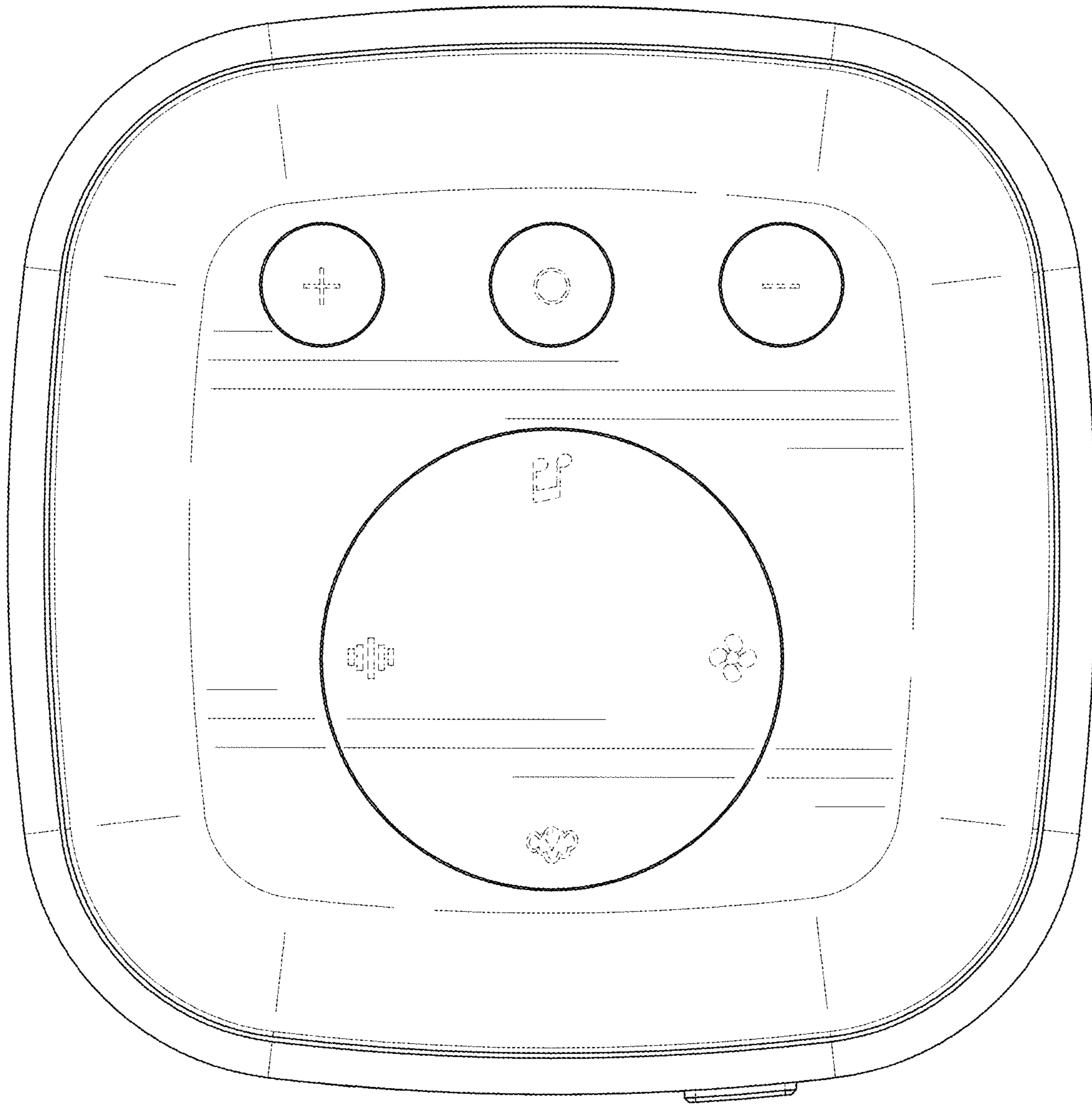


FIG. 7

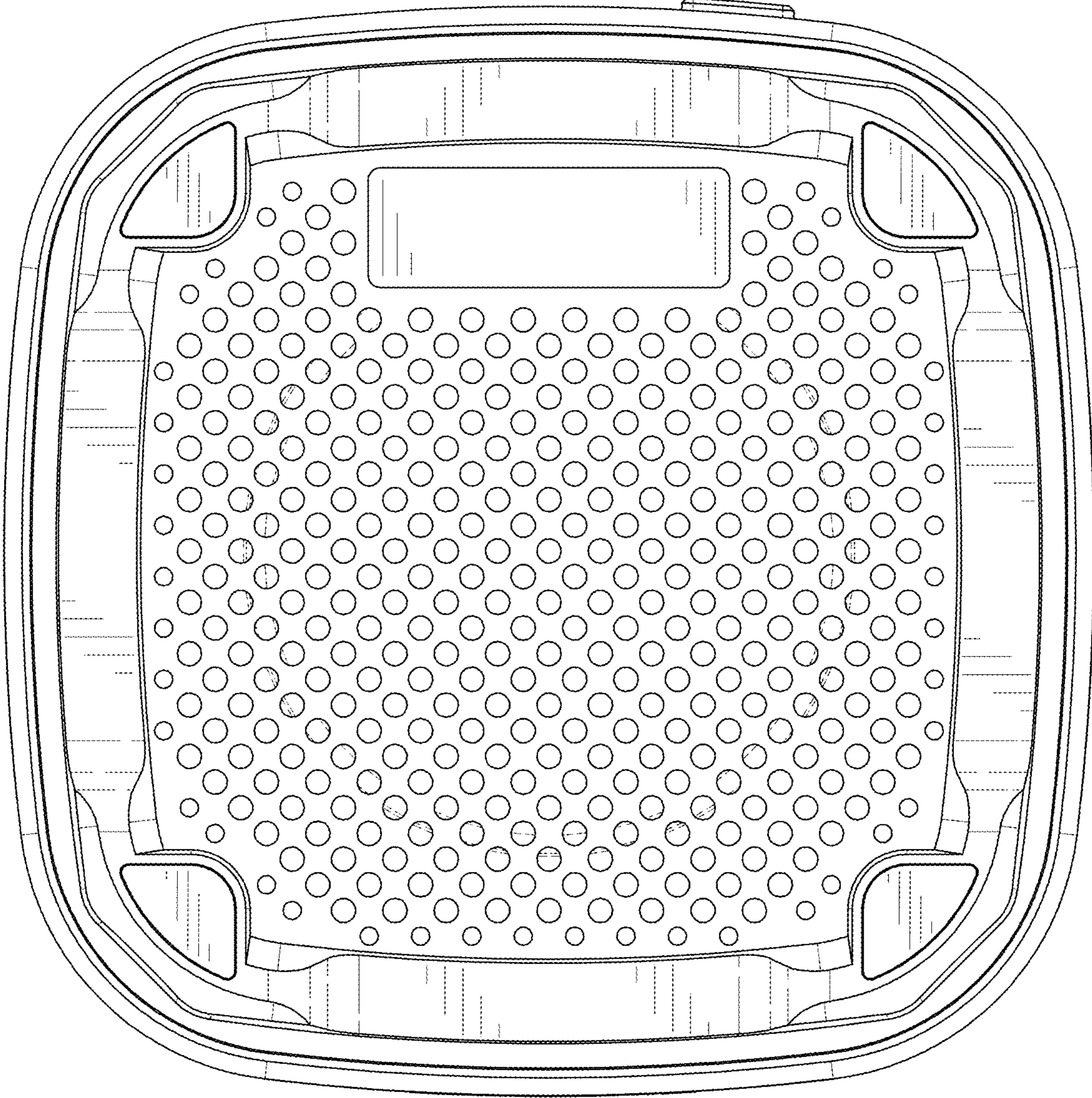


FIG. 8