



US00D931252S

(12) **United States Design Patent**  
**Ding**

(10) **Patent No.:** **US D931,252 S**

(45) **Date of Patent:** **\*\* Sep. 21, 2021**

(54) **COMBINED WIRELESS RECEIVER WITH TRANSMITTER**

(71) Applicant: **Shenzhen Lavanda Technology Co., Ltd**, Guangdong Province (CN)

(72) Inventor: **Jingqun Ding**, Changde (CN)

(\*\*) Term: **15 Years**

(21) Appl. No.: **29/751,928**

(22) Filed: **Sep. 24, 2020**

(51) **LOC (13) Cl.** ..... **14-03**

(52) **U.S. Cl.**  
USPC ..... **D14/188**

(58) **Field of Classification Search**  
USPC ..... D14/135, 137, 139, 155, 157, 188, 191, D14/192, 197, 198, 203.1-203.8, 299  
CPC ..... B60R 11/0217; G06F 1/1688; G10K 9/22; G10K 11/004; H03F 1/327; H04M 1/03; H04M 1/035; H04N 5/642; H04N 21/4852; H04R 1/02; H04R 1/06; H04R 1/021; H04R 1/025; H04R 1/026; H04R 1/028; H04R 1/105; H04R 1/323; H04R 1/403; H04R 1/2803; H04R 1/2834; H04R 5/02; H04R 7/20; H04R 9/06; H04R 9/025; H04R 2201/021; H04R 2400/00; H04R 2400/07; H04R 2499/11; H04R 2499/13; H04R 2499/15; H04S 3/00; H04S 7/30

See application file for complete search history.

(56) **References Cited**

U.S. PATENT DOCUMENTS

D263,709 S *	4/1982	Ando	.....	D14/155
D538,820 S *	3/2007	Andre	.....	D14/203.7
D618,206 S *	6/2010	Andre	.....	D14/203.7
D622,695 S *	8/2010	Ao	.....	D14/203.7
D622,696 S *	8/2010	Akana	.....	D14/203.7
D702,732 S *	4/2014	Wu	.....	D14/496
D706,249 S	6/2014	Holzer		
D816,064 S *	4/2018	Wei	.....	D14/215
D822,655 S *	7/2018	Akana	.....	D14/341
D857,012 S *	8/2019	Chen	.....	D14/358
D877,118 S *	3/2020	Wang	.....	D14/210
D903,303 S *	12/2020	Guo	.....	D3/209
D912,005 S *	3/2021	Zhang	.....	D14/155

\* cited by examiner

*Primary Examiner* — Keli L Hill

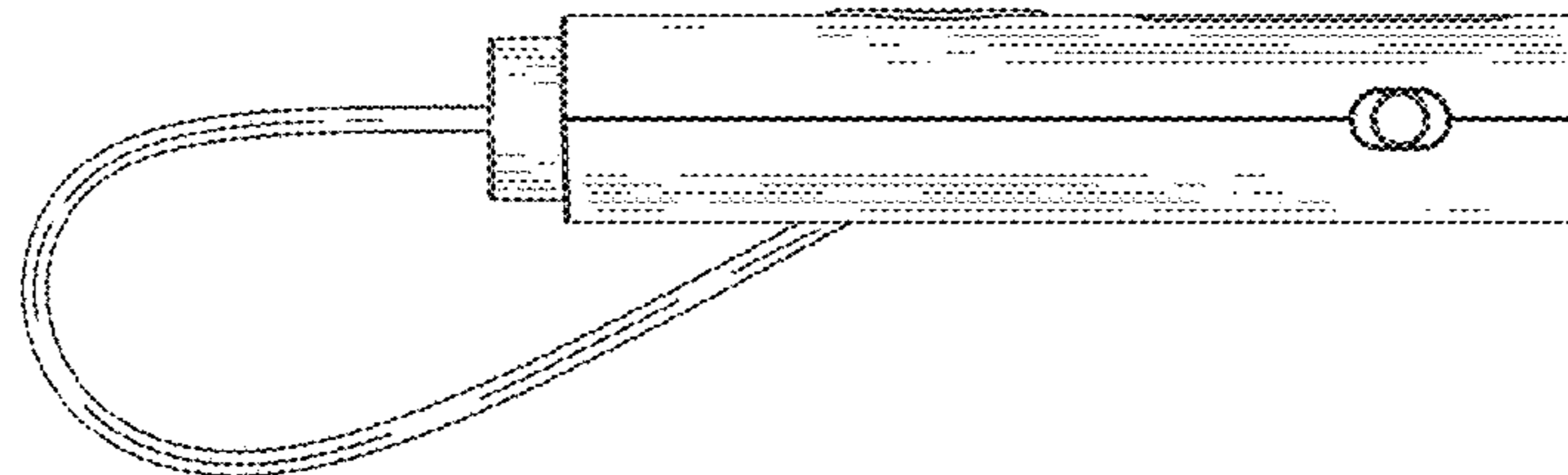
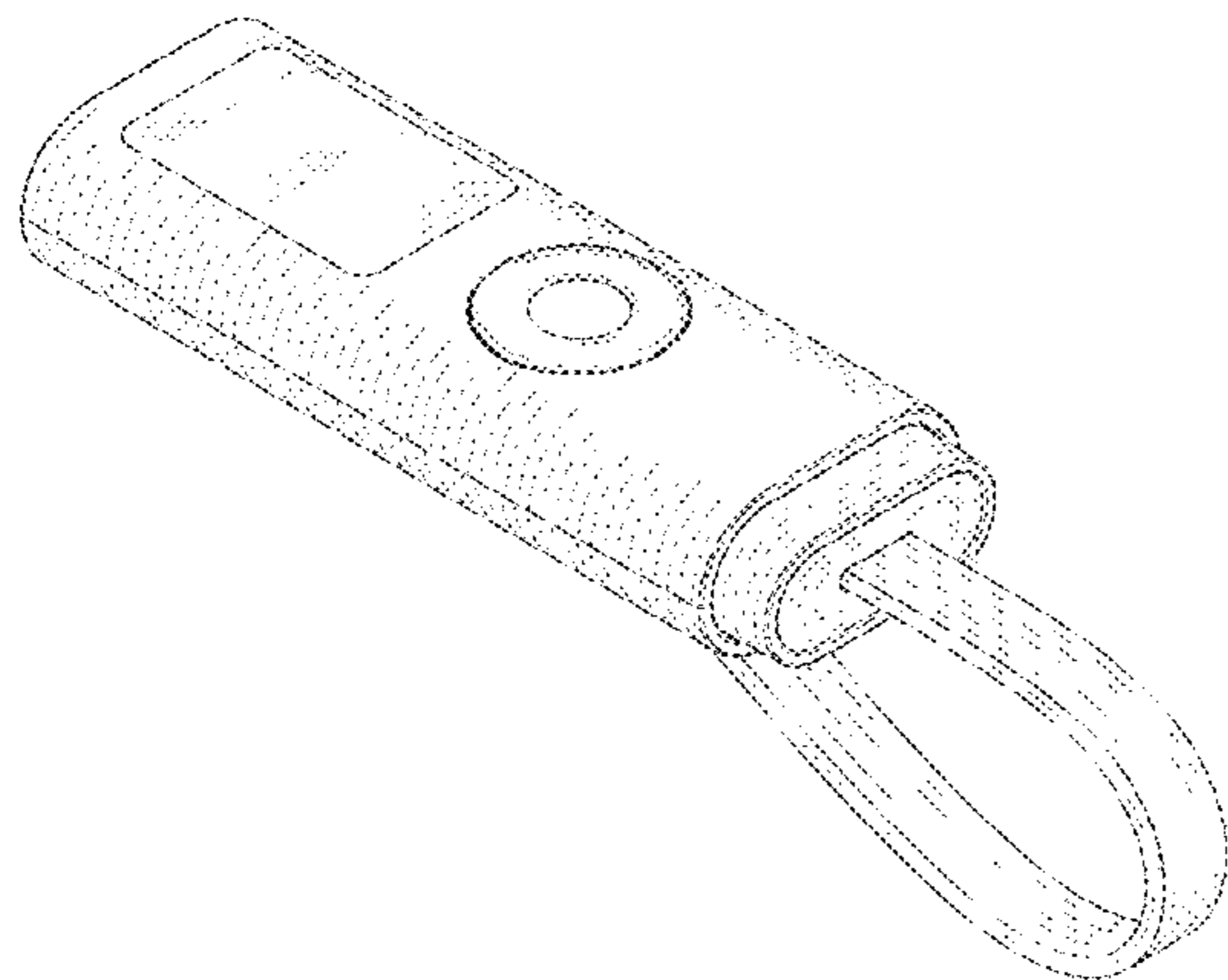
(57) **CLAIM**

The ornamental design for a combined wireless receiver with transmitter, as shown and described.

**DESCRIPTION**

FIG. 1 is a front and top perspective view of a combined wireless receiver with transmitter showing my new design; FIG. 2 is a front elevational view thereof; FIG. 3 is a rear elevational view thereof; FIG. 4 is a right side elevational view thereof; FIG. 5 is a left side elevational view thereof; FIG. 6 is a top plan view thereof; and, FIG. 7 is a bottom plan view thereof.

**1 Claim, 7 Drawing Sheets**



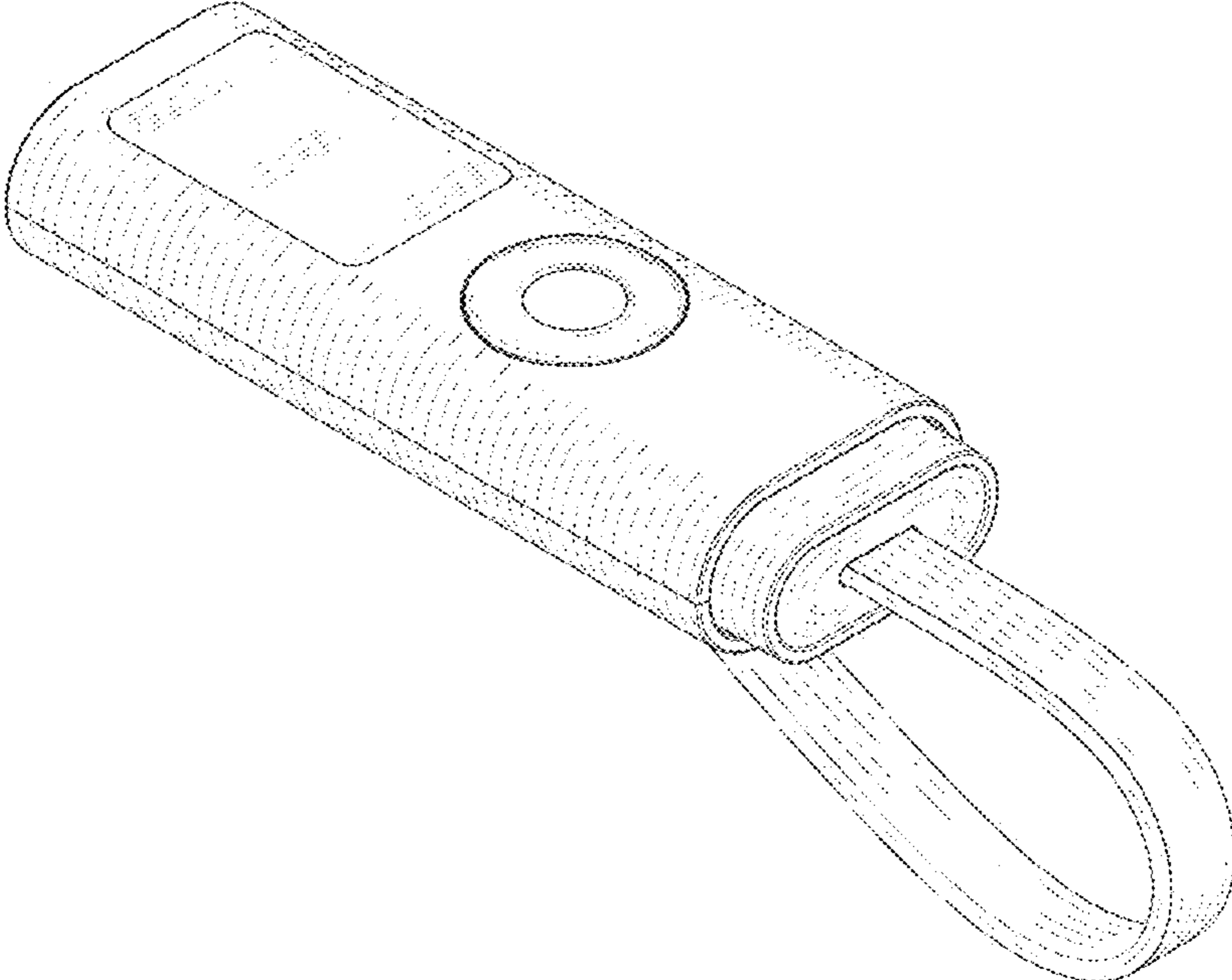


FIG. 1

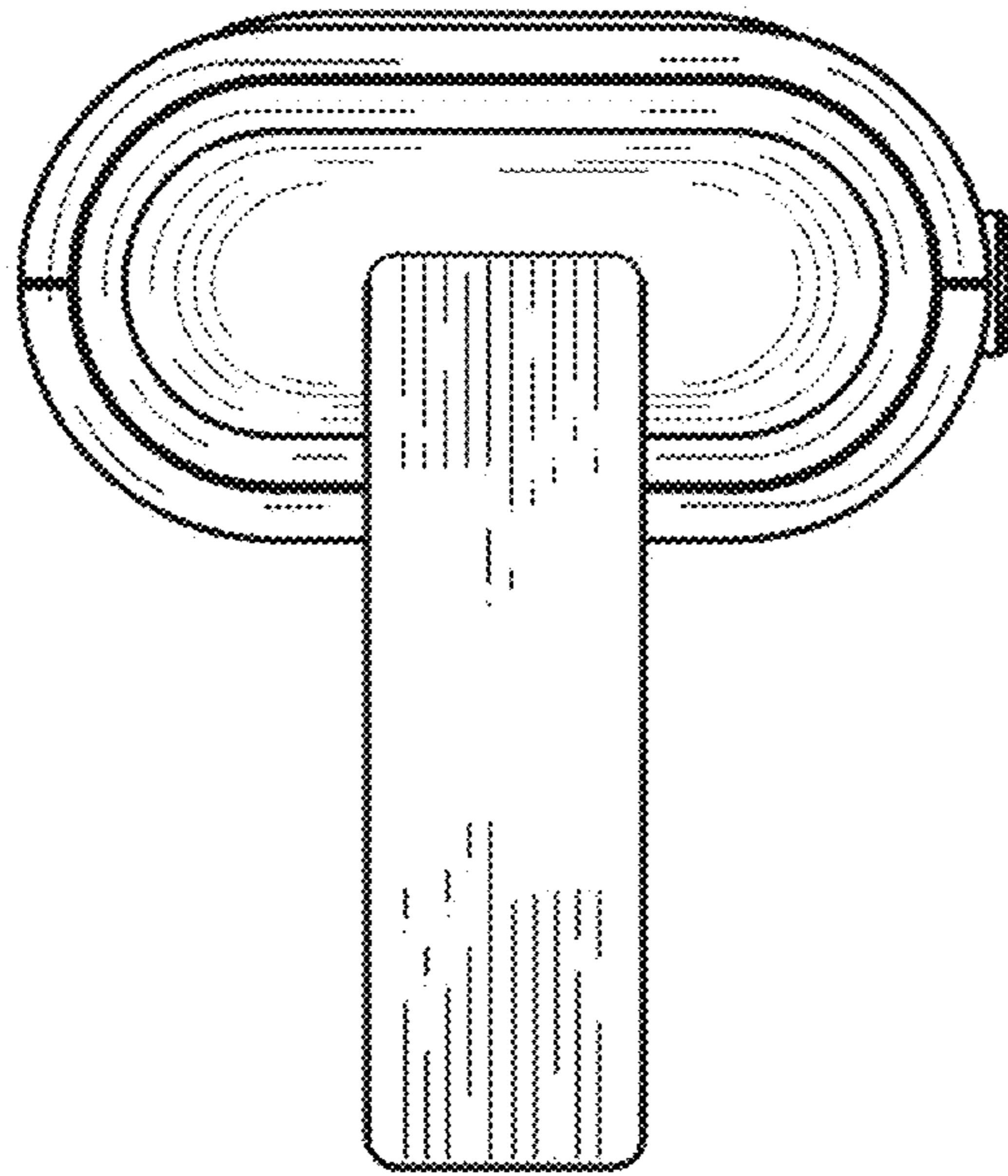


FIG. 2

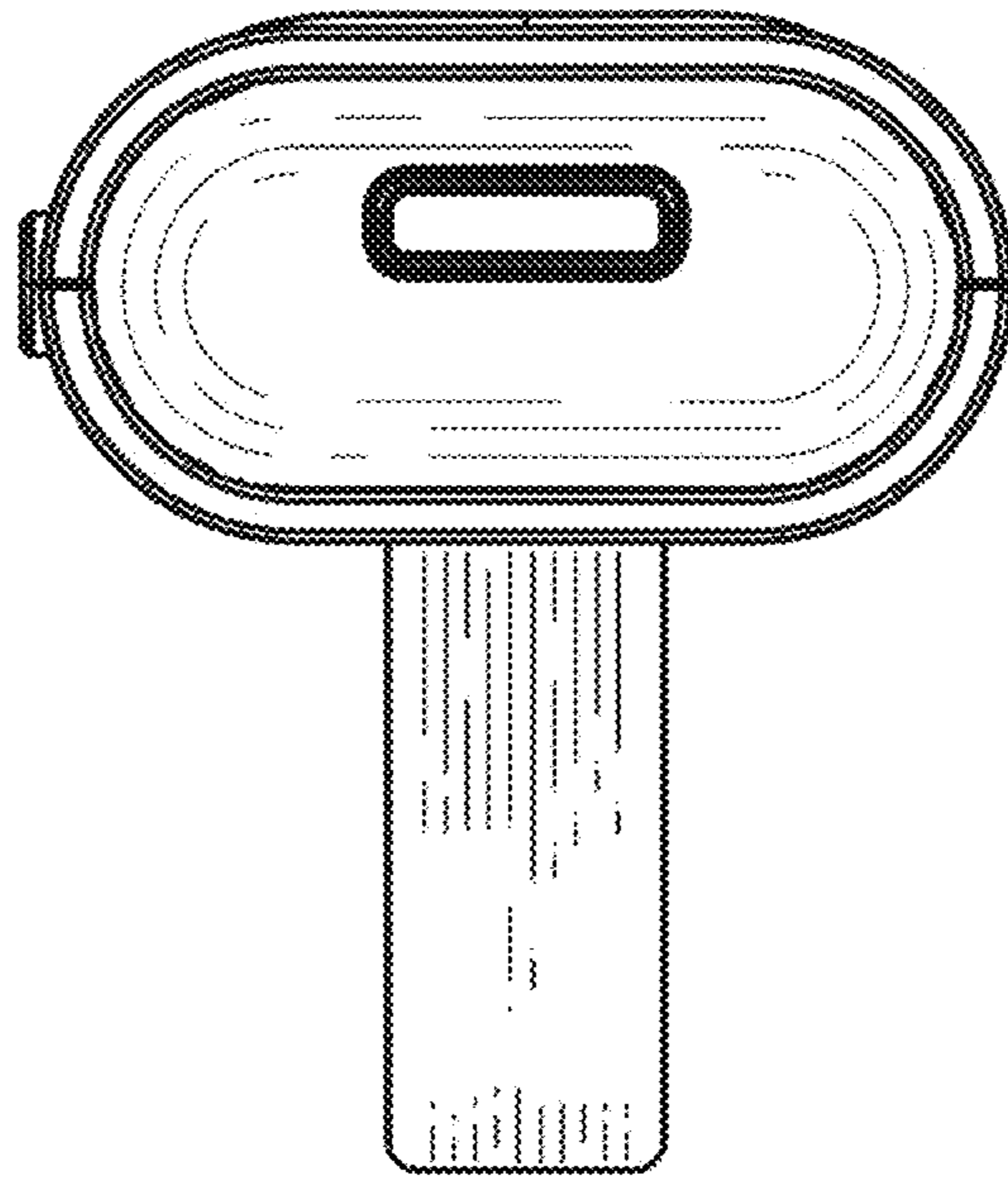


FIG. 3

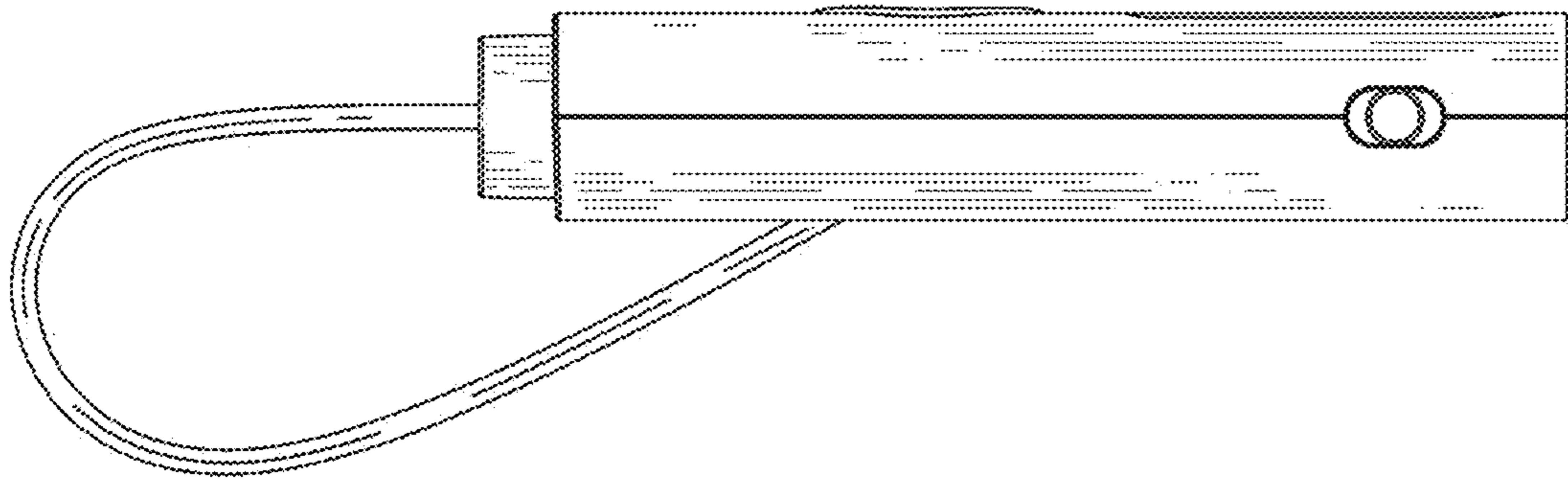


FIG. 4

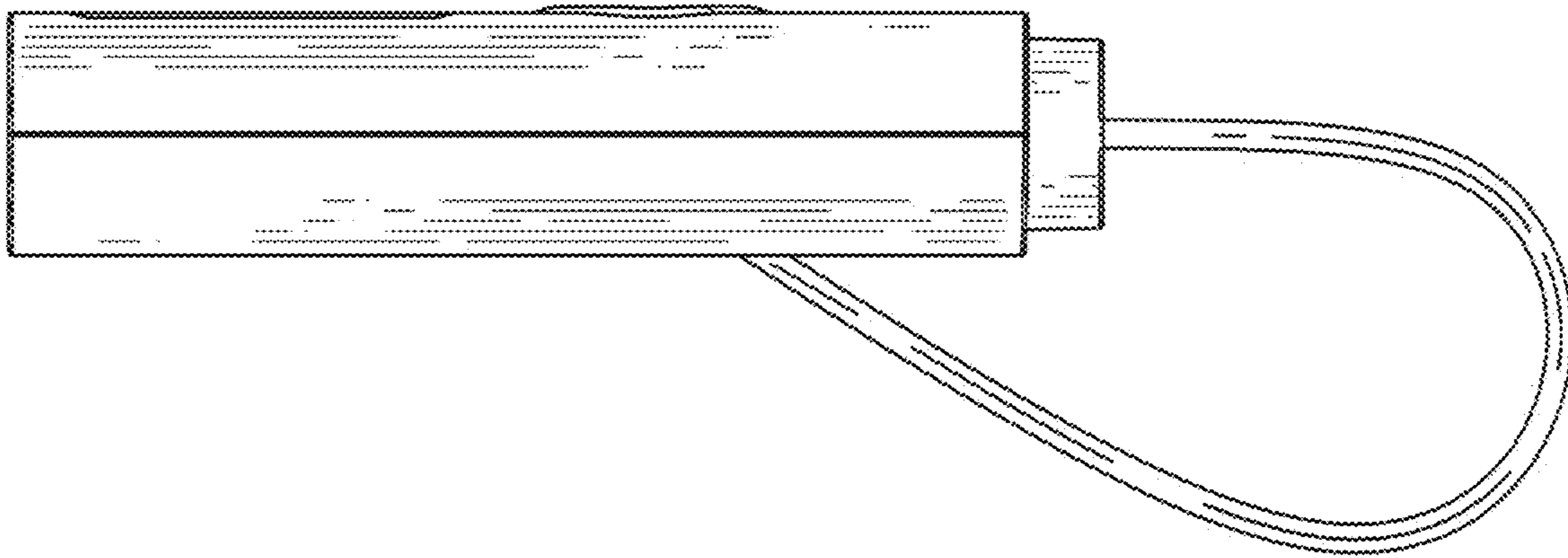


FIG. 5

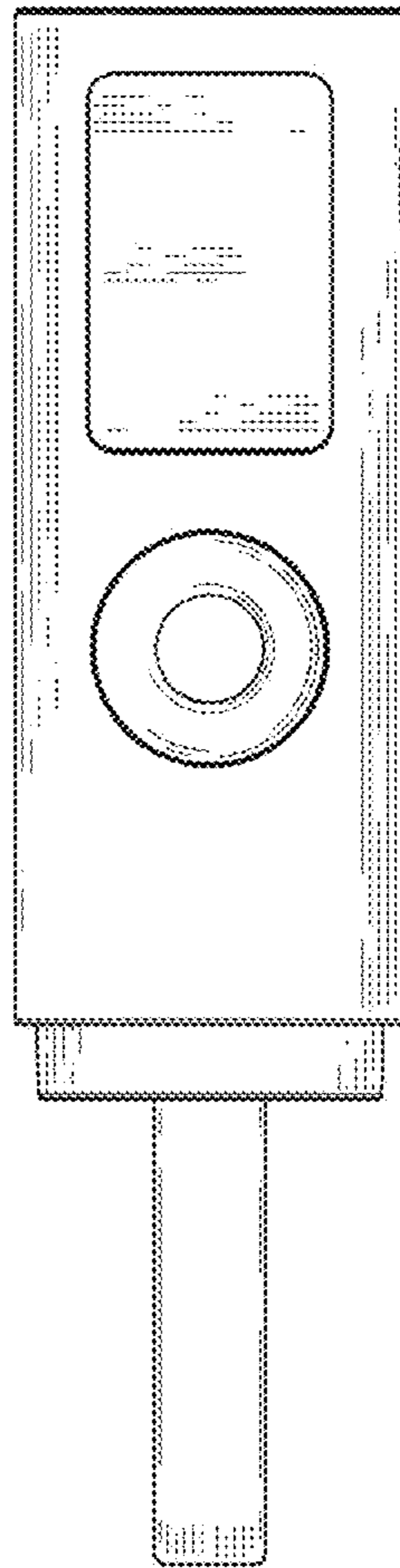


FIG. 6



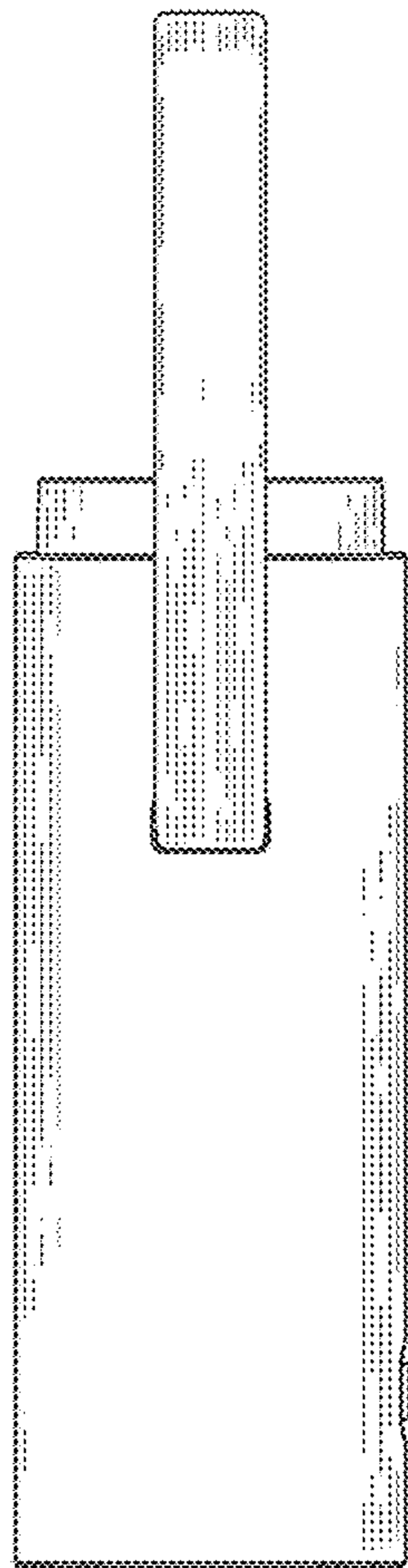


FIG. 7