



US00D931251S

(12) **United States Design Patent**
Darias et al.

(10) **Patent No.:** **US D931,251 S**

(45) **Date of Patent:** **** Sep. 21, 2021**

(54) **PHONE COVER**

(71) Applicant: **Desk Phone Designs, Inc.**, Brandon, FL (US)

(72) Inventors: **Ernie Darias**, Brandon, FL (US);
Jamie Wood, Brandon, FL (US)

(73) Assignee: **Desk Phone Designs, Inc.**, Brandon, FL (US)

(**) Term: **15 Years**

(21) Appl. No.: **29/727,815**

(22) Filed: **Mar. 13, 2020**

(51) **LOC (13) Cl.** **14-03**

(52) **U.S. Cl.**
USPC **D14/140; D14/250**

(58) **Field of Classification Search**
USPC D14/432-343, 357, 344, 140, 496, 401,
D14/435, 474, 483, 209.1, 137, 138,
D14/158-172, 168, 356, 203.1-203.8,
D14/507, 155, 212-218, 257, 258, 341,
D14/346, 299, 266, 358, 454-445, 192,
D14/221, 127-130, 211, 240, 243,
D14/247-249, 250-251, 329, 455, 206,
D14/204, 188, 147-151, 144, 142, 141.1,
D14/138 R, 138 AA, 138 AB, 138 G,
D14/138 AD, 140.8; D3/215, 218, 904;
D21/517, 333, 331, 566; D24/165, 185,
D24/186; D18/1, 7; D10/104, 104.1,
D10/106, 65, 78, 104.2, 70, 31-32, 38,
D10/106.1, 106.3, 106.5; D13/168;
D11/3-5, 12, 19, 25; D30/151-152

CPC H04M 1/00; H04M 1/026; H04M 1/04;
H04M 1/6033; H04M 1/6041; H04M
3/02; H04M 3/005; H04M 3/56; H04M
3/564; H04M 3/568; H04M 9/02; H04M
9/022; H04M 9/08; H04M 1/003; H04M
1/02; H04M 1/03; H04M 1/0202; H04M
1/0295; H04M 1/0297; H04M 1/20;
H04M 1/21; H04M 1/22; H04M 1/23;

H04M 1/233; H04M 1/236; H04M
1/0289; H04M 1/0214; H04M 1/253;
H04M 1/2535; H04M 7/006; H04R 1/00;
H04R 1/02; H04R 1/403;

(Continued)

(56) **References Cited**

U.S. PATENT DOCUMENTS

3,480,743 A * 11/1969 Engh H04M 1/23
379/447
3,838,229 A * 9/1974 Morrell H04M 1/02
379/436

(Continued)

OTHER PUBLICATIONS

Transparent Phone Protectors, deskphonedesigns.com, [online], [site visited Jul. 23, 2021], Available from internet URL: <https://www.deskphonedesigns.com/phone-protector/> (Year: 2021).*

(Continued)

Primary Examiner — Samantha Q Lawrence
Assistant Examiner — Holly M Rodriguez
(74) *Attorney, Agent, or Firm* — Larson & Larson, P.A.;
Justin P. Miller; Frank Liebenow

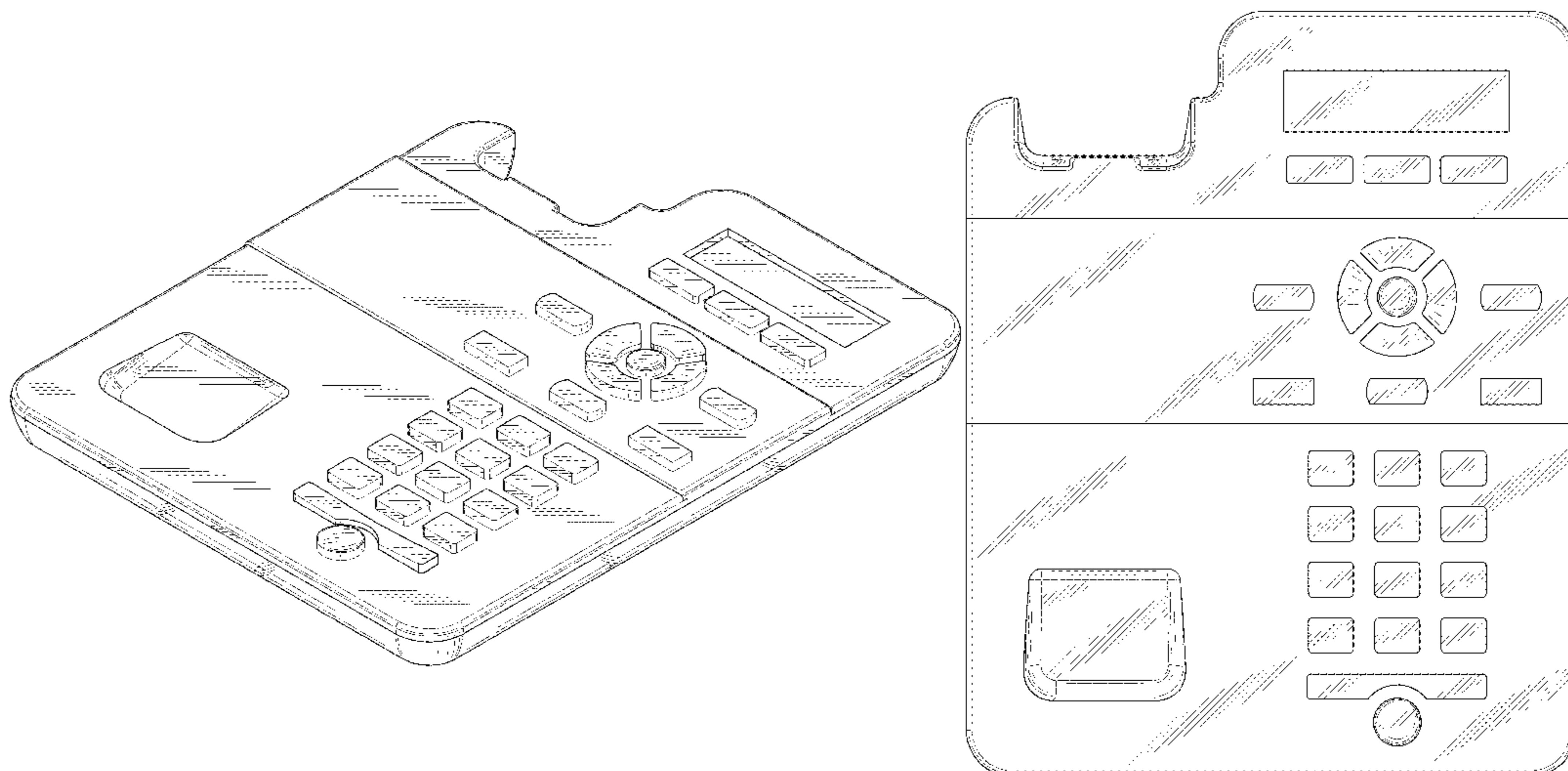
(57) **CLAIM**

We claim the ornamental design for a phone cover, as shown and described.

DESCRIPTION

FIG. 1 is a perspective view of a phone cover showing my new design;
FIG. 2 is a bottom plan view thereof;
FIG. 3 is a top plan view thereof;
FIG. 4 is a left-side elevation view thereof;
FIG. 5 is a right-side elevation view thereof;
FIG. 6 is a front elevation view thereof; and,
FIG. 7 is a back elevation thereof.

1 Claim, 5 Drawing Sheets



(58) **Field of Classification Search**

CPC H04R 1/406; H04N 7/14; H04N 7/142;
H04N 7/147; A63H 33/30; A63H 33/3016

See application file for complete search history.

(56) **References Cited**

U.S. PATENT DOCUMENTS

4,292,481 A * 9/1981 Barnes H04M 1/21
379/441
D262,215 S * 12/1981 Obst 379/428.01
D269,512 S * 6/1983 Goldberg D14/247
9,860,351 B1 * 1/2018 Darias H04M 1/02
D894,186 S * 8/2020 Potts D14/393

OTHER PUBLICATIONS

ZCover Silicone Desk Phone Base+Handset Cover, first available
Jul. 28, 2018, shopyourway.com, [online], [site visited Jul. 23,
2021], Available from internet URL: [https://www.shopyourway.com/
zcover-silicone-desk-phone-base-handset-cover/719155309](https://www.shopyourway.com/zcover-silicone-desk-phone-base-handset-cover/719155309) (Year:
2018).*

* cited by examiner

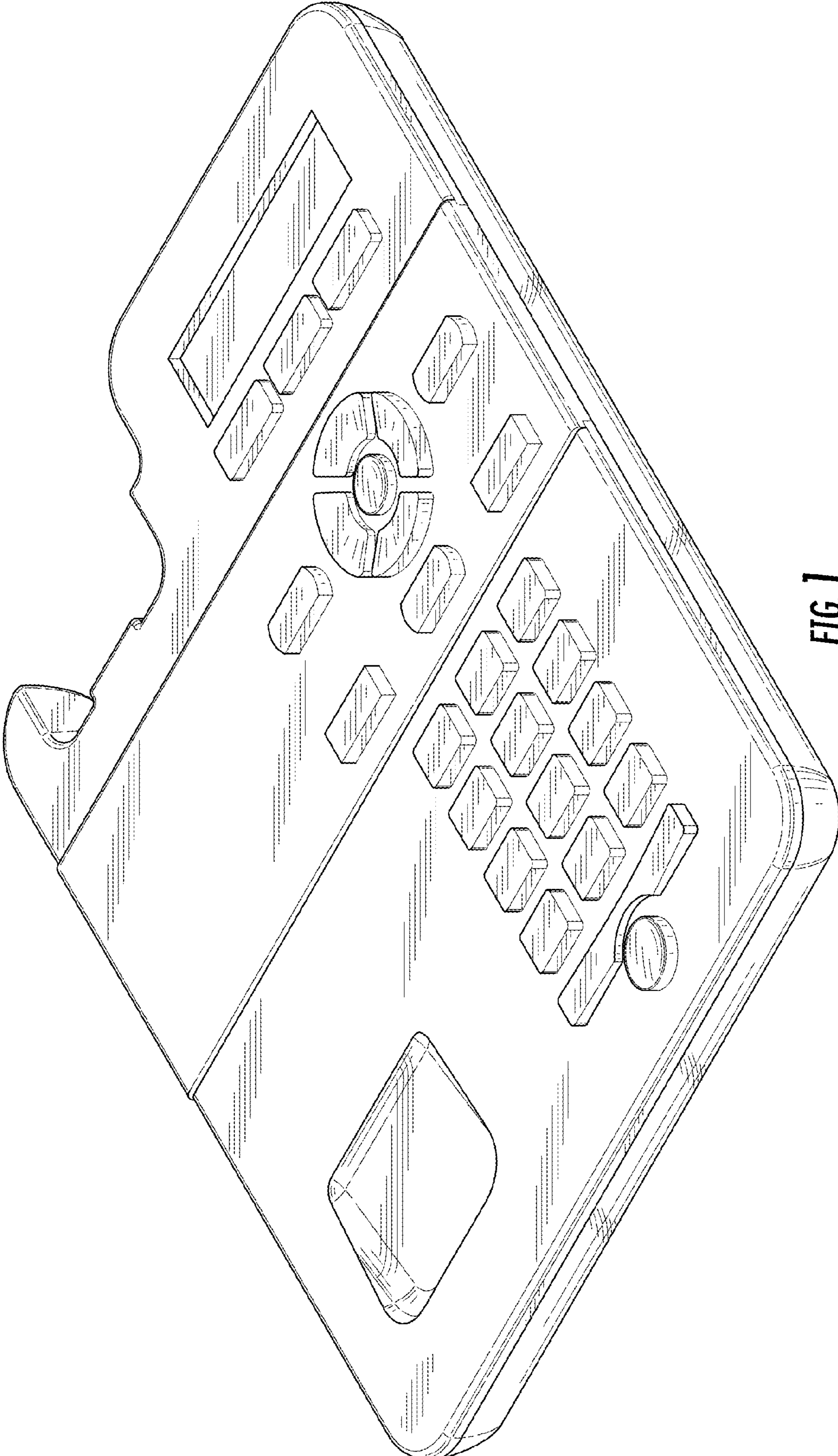


FIG. 1

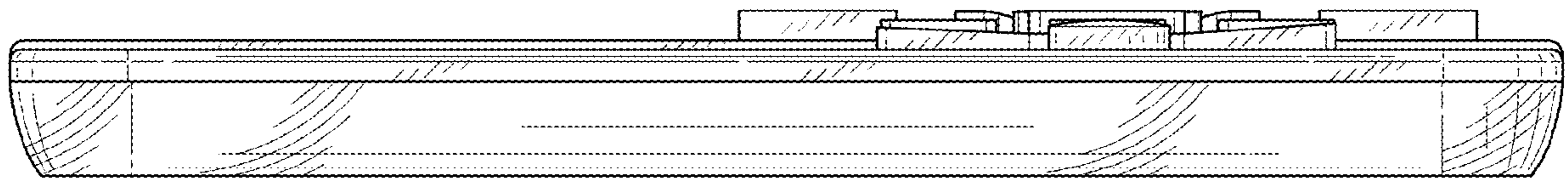


FIG. 2

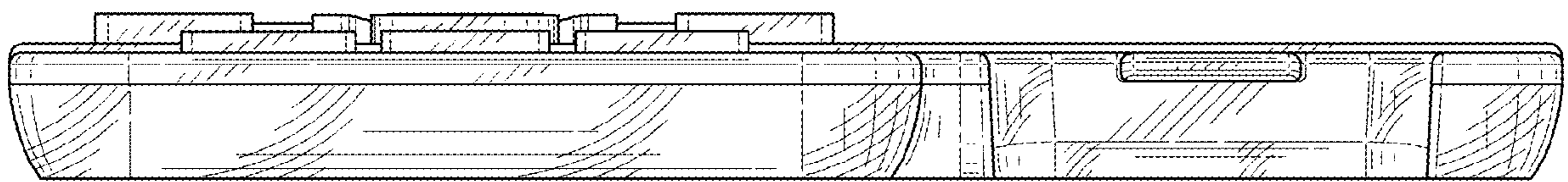


FIG. 3

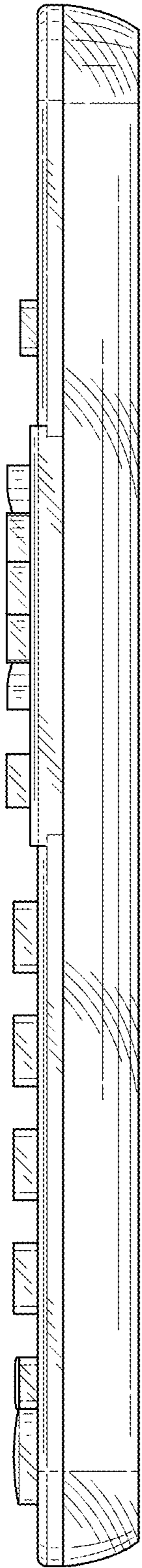


FIG. 4

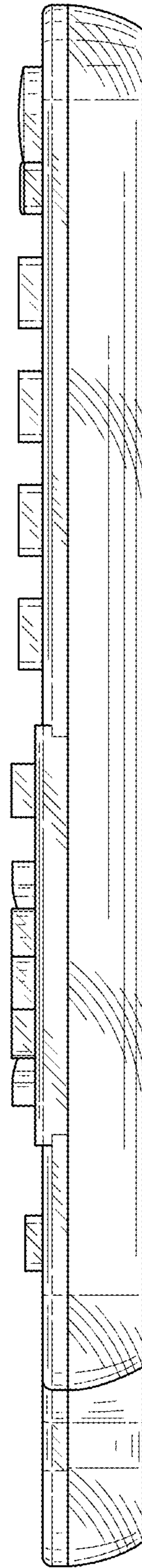


FIG. 5

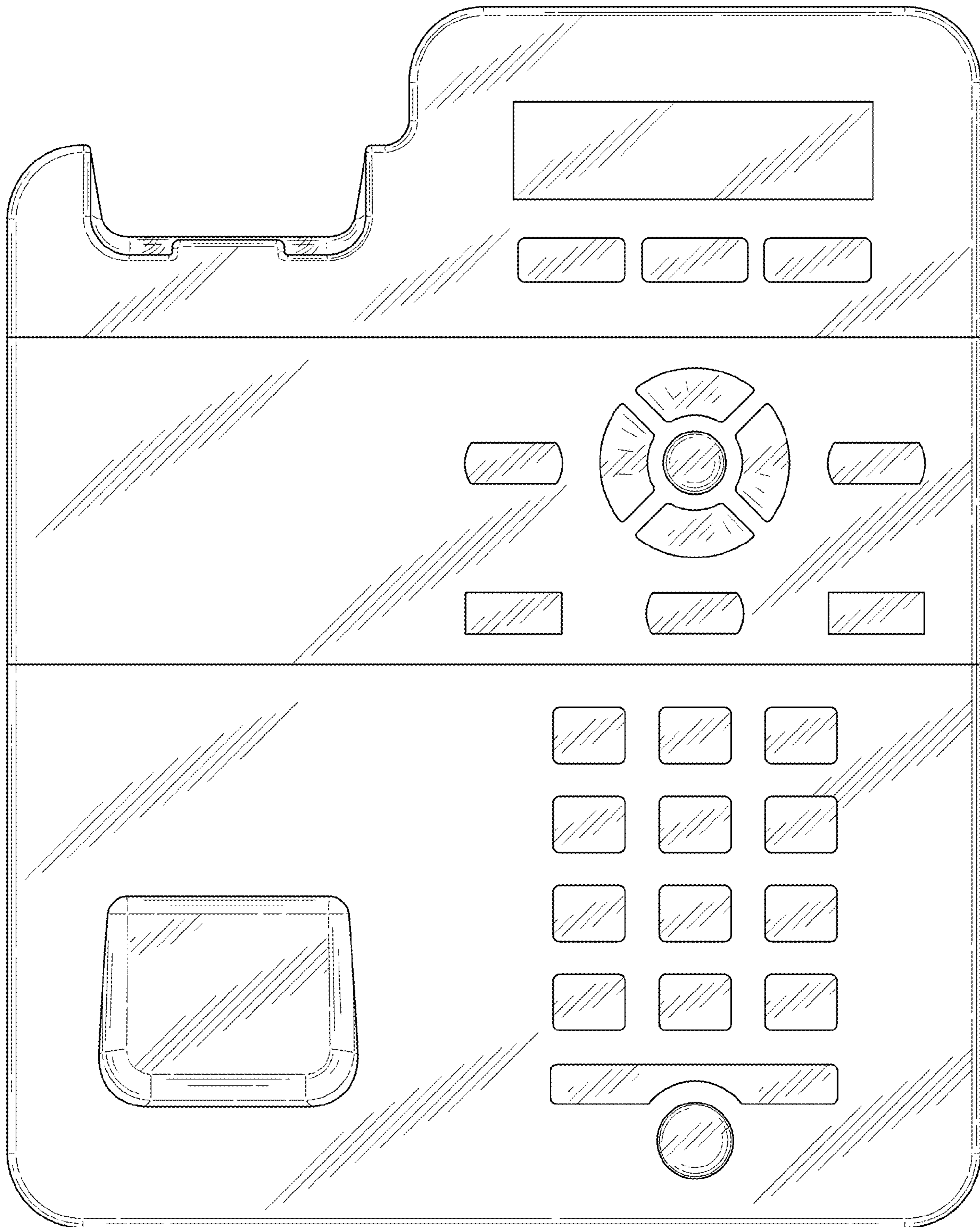


FIG. 6

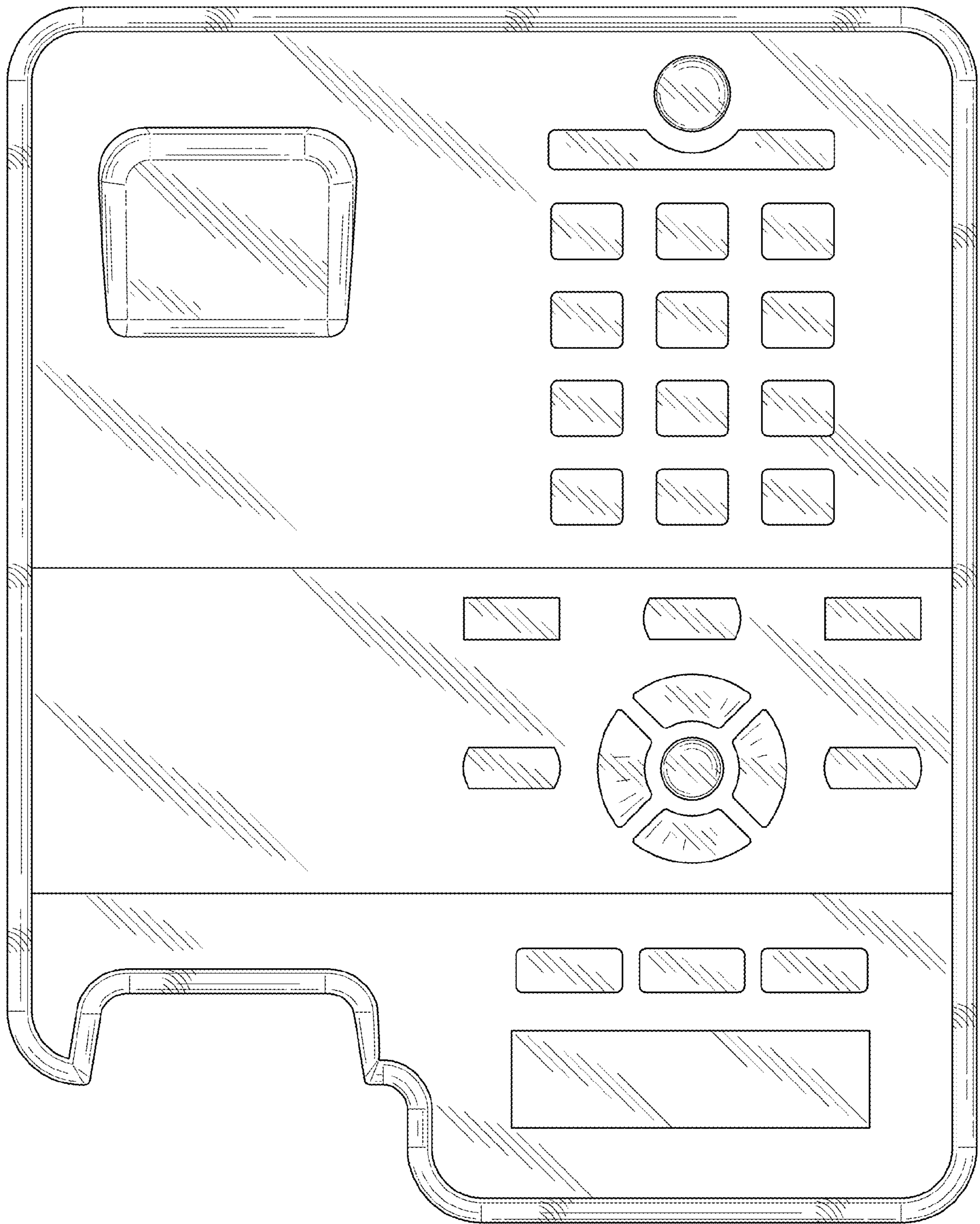


FIG. 7