



US00D931247S

(12) **United States Design Patent**  
**Zhang**

(10) **Patent No.:** **US D931,247 S**

(45) **Date of Patent:** **\*\* Sep. 21, 2021**

(54) **WALKIE TALKIE FOR CHILDREN**

(71) Applicant: **Xuanwei Zhang**, Gaozhou (CN)

(72) Inventor: **Xuanwei Zhang**, Gaozhou (CN)

(\*\*) Term: **15 Years**

(21) Appl. No.: **29/778,764**

(22) Filed: **Apr. 14, 2021**

(51) **LOC (13) Cl.** ..... **14-03**

(52) **U.S. Cl.**  
USPC ..... **D14/137**

(58) **Field of Classification Search**  
USPC ..... D14/137, 138 R, 138 AA, 138 AD;  
D10/104.1

CPC .. H04B 1/3833; H04B 1/3827; H04B 1/3855;  
H04B 2001/3861; H04B 1/385; H04B  
1/3888; H04M 1/0202; H04M 1/03;  
H04M 1/035; H01Q 1/42

See application file for complete search history.

(56) **References Cited**

**U.S. PATENT DOCUMENTS**

D389,139 S *	1/1998	Oross	.....	D14/137
D389,827 S *	1/1998	Oross	.....	D14/137
D412,501 S *	8/1999	Tyneski	.....	D14/137
D467,566 S *	12/2002	Mirabelli	.....	D14/137
D473,537 S *	4/2003	Lammers-Meis	.....	D14/188
D494,481 S *	8/2004	Laverick	.....	D10/65
D535,967 S *	1/2007	Lee	.....	D14/138 R
D558,703 S *	1/2008	Kwong	.....	D14/137
D564,998 S *	3/2008	Tran	.....	D14/137
D576,128 S *	9/2008	Tran	.....	D14/137

D578,416 S *	10/2008	Concari	.....	D10/69
D769,138 S *	10/2016	Register	.....	D10/65
D794,609 S *	8/2017	Meyer	.....	D14/218
D813,473 S *	3/2018	Ni	.....	D30/199
D843,337 S *	3/2019	Nakagawa	.....	D14/137
D875,699 S *	2/2020	Hong	.....	D14/137
D878,315 S *	3/2020	Zhou	.....	D14/137
D879,062 S *	3/2020	Nishizawa	.....	D14/137
D884,995 S *	5/2020	Ni	.....	D30/199
10,651,880 B1 *	5/2020	Lee	.....	H04B 1/3888
D886,753 S *	6/2020	Hong	.....	D14/137
D889,424 S	7/2020	Chen		

\* cited by examiner

*Primary Examiner* — Bridget L Eland

(74) *Attorney, Agent, or Firm* — Justin Lampel

(57) **CLAIM**

The ornamental design for a walkie talkie for children, as shown and described.

**DESCRIPTION**

FIG. 1 is a perspective view of a walkie talkie for children showing the claimed design;  
FIG. 2 is a top plan view thereof;  
FIG. 3 is a left side view thereof;  
FIG. 4 is a front elevational view thereof;  
FIG. 5 is a right side view thereof;  
FIG. 6 is a rear elevational view thereof; and,  
FIG. 7 is a bottom plan view thereof.

The broken lines illustrate portions of the walkie talkie for children that form no part of the claimed design.

**1 Claim, 7 Drawing Sheets**

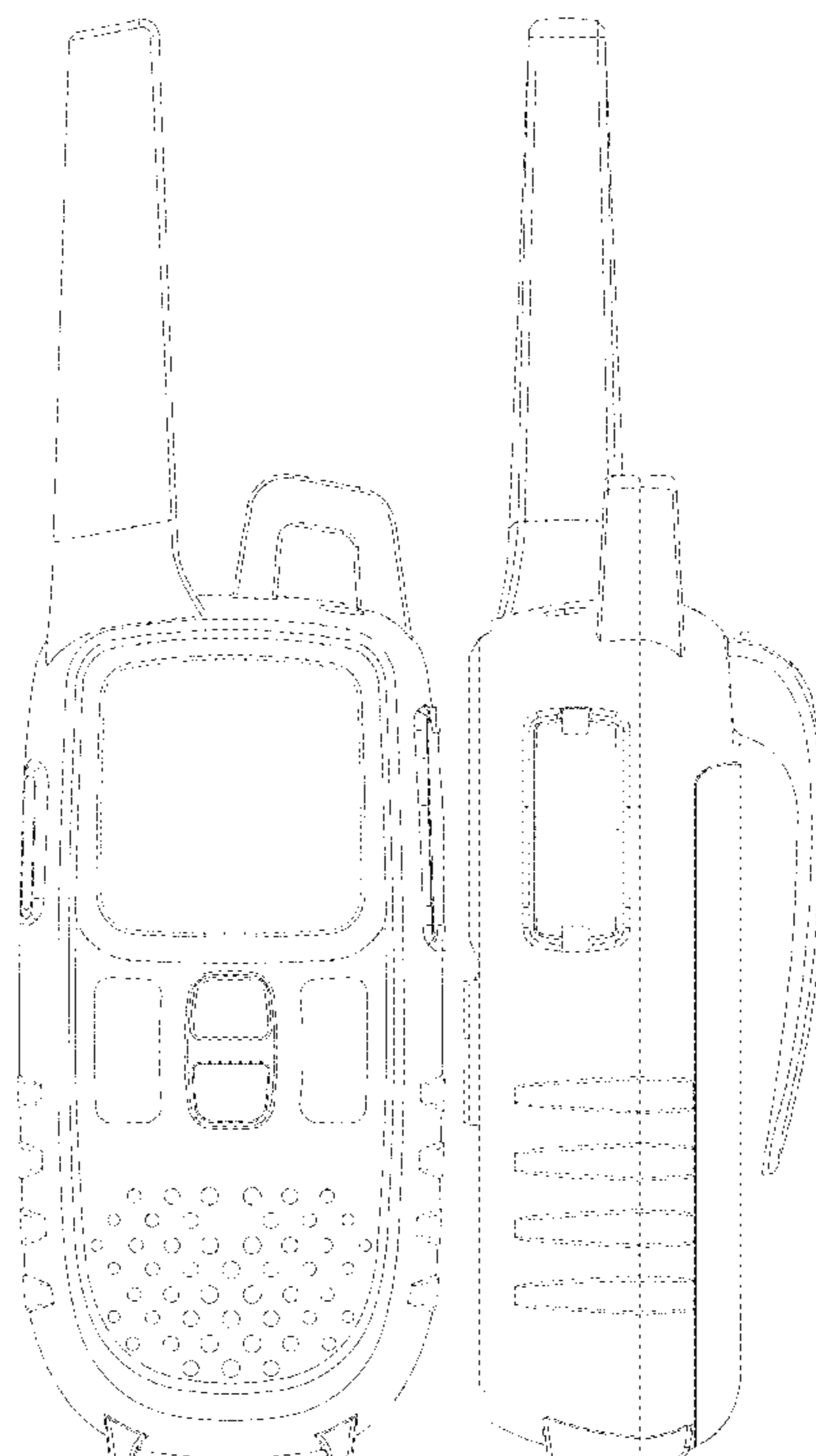




FIG.1

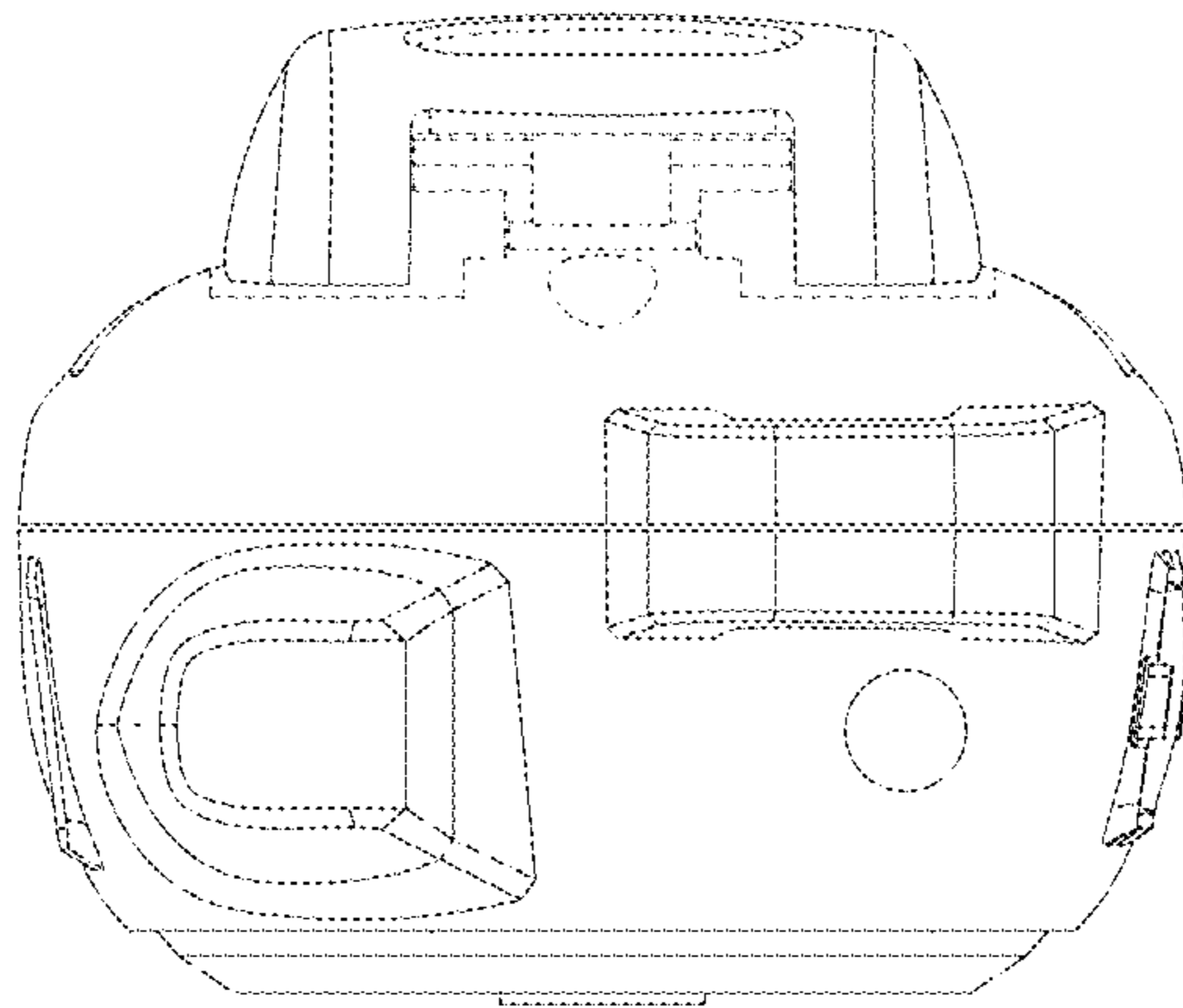


FIG.2

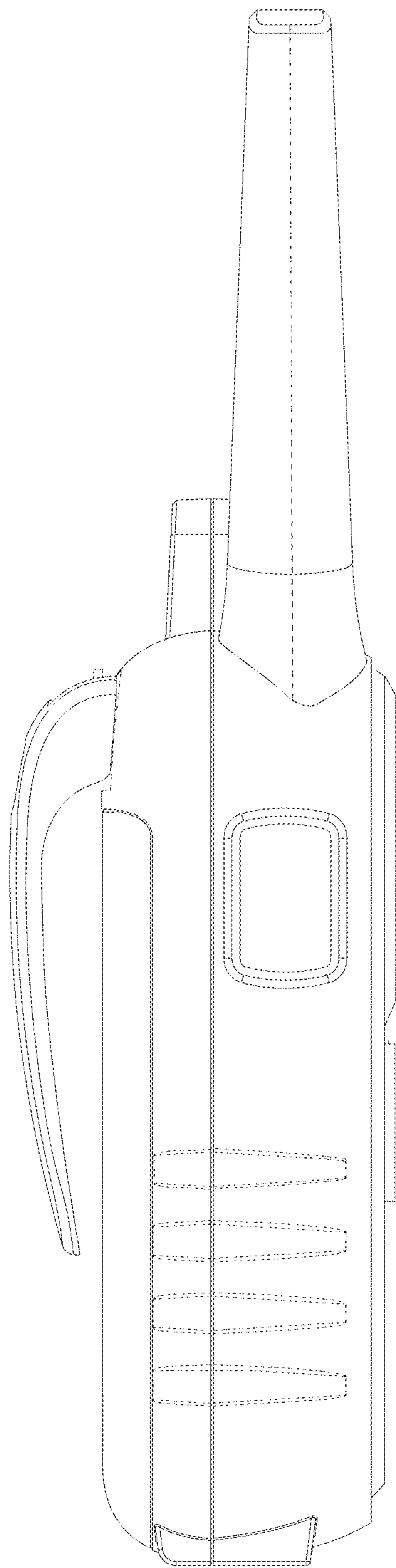


FIG.3

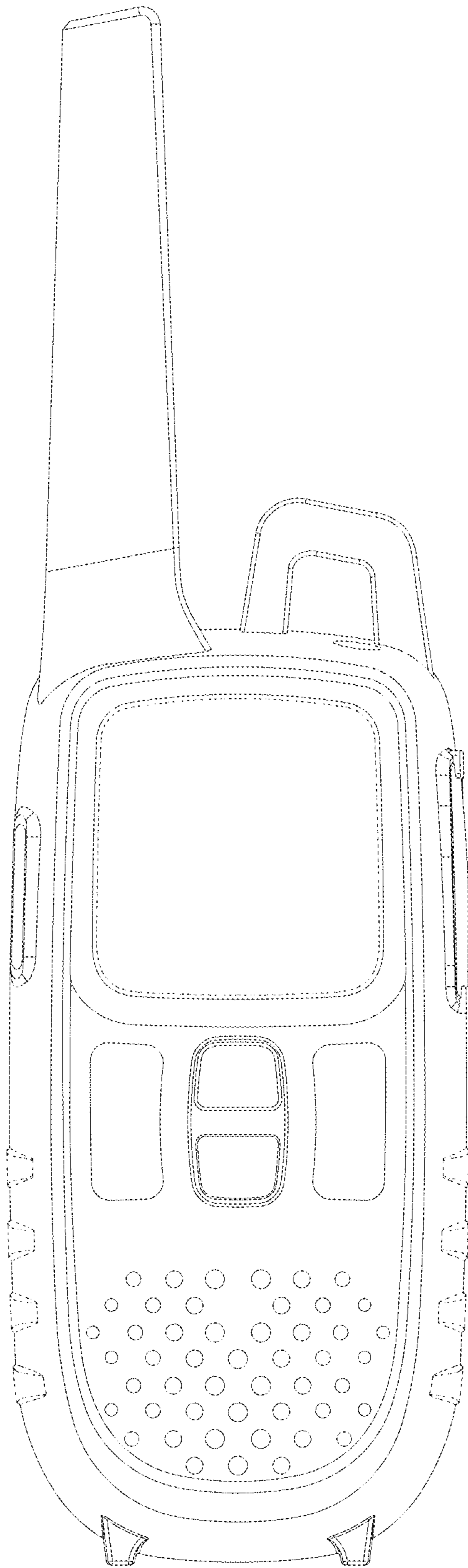


FIG.4

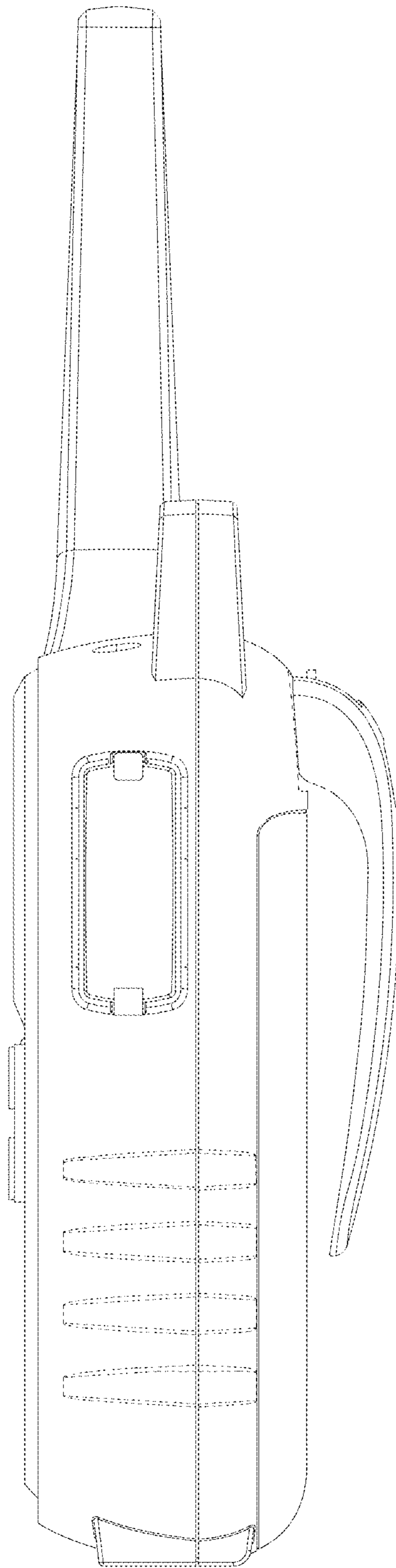


FIG.5



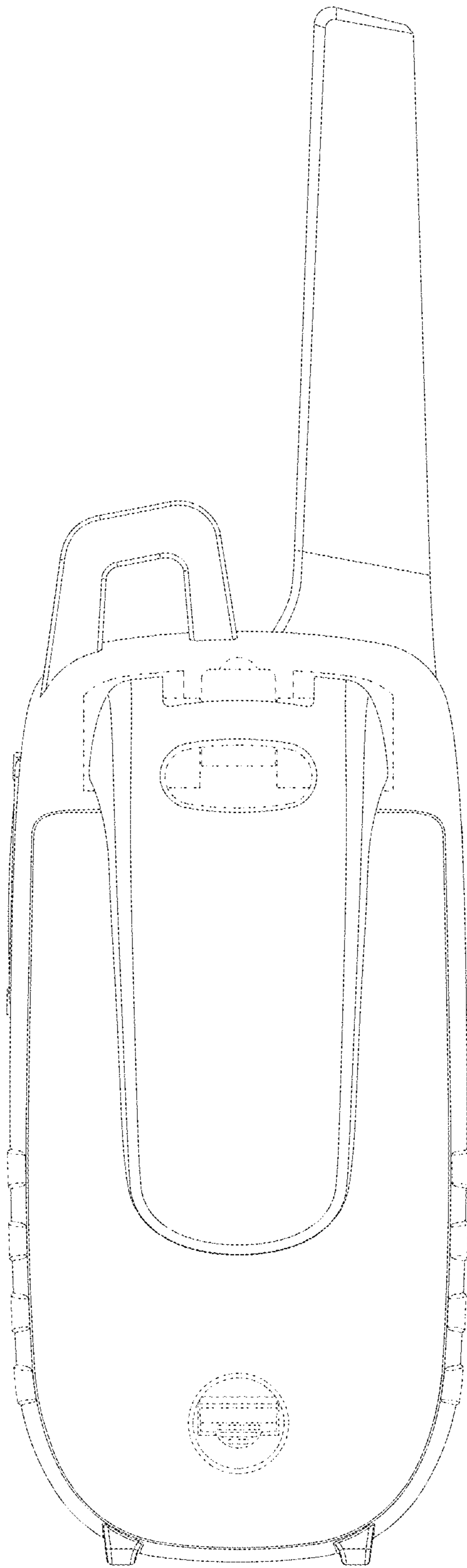


FIG.6

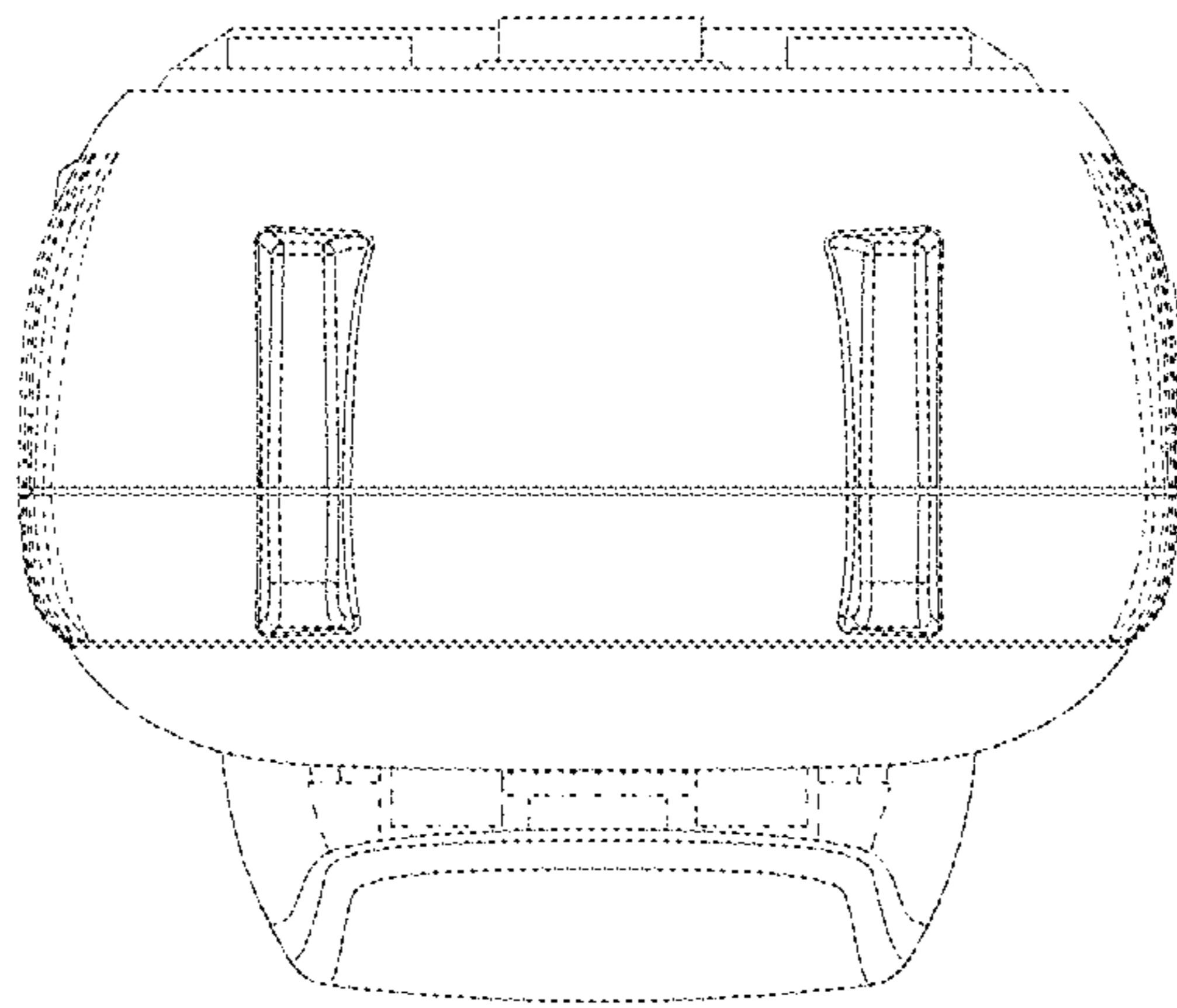


FIG.7