



US00D931246S

(12) **United States Design Patent**
Hong

(10) **Patent No.:** **US D931,246 S**

(45) **Date of Patent:** **** *Sep. 21, 2021**

- (54) **WALKIE TALKIE**
- (71) Applicant: **Shuzhi Hong**, Fujian (CN)
- (72) Inventor: **Shuzhi Hong**, Fujian (CN)
- (*) Notice: This patent is subject to a terminal disclaimer.
- (**) Term: **15 Years**

- 5,442,337 A * 8/1995 Hwang G01R 15/125
340/635
 - 5,619,129 A * 4/1997 Kamiya G01R 1/36
324/110
 - 5,920,188 A * 7/1999 Voorheis G01R 15/12
324/110
 - 6,363,244 B1 * 3/2002 McGhee H04B 1/385
379/450
 - D469,109 S * 1/2003 Andre D14/203.7
- (Continued)

- (21) Appl. No.: **29/682,015**
- (22) Filed: **Mar. 1, 2019**

FOREIGN PATENT DOCUMENTS

- CN 003528801-0001 * 1/2017
 - CN 304257631 * 8/2017
- (Continued)

- (30) **Foreign Application Priority Data**
- Nov. 15, 2018 (CN) 201830649479.0
- (51) **LOC (13) Cl.** **14-03**
- (52) **U.S. Cl.**
USPC **D14/137**
- (58) **Field of Classification Search**
USPC D14/137, 138 AA, 147, 148, 218, 155,
D14/159, 142, 225, 226, 191, 203.3,
D14/203.7, 203.1, 203.5, 188, 192,
D14/194-198, 214, 219, 221, 172, 167;
D21/517, 566, 324, 329, 331; D10/104.1,
D10/104.2, 106.1, 65, 78; D13/168;
D30/199
CPC H04B 1/3833; H04B 1/3827; H04B
2001/3861; H04M 1/233; G08B 21/0202
See application file for complete search history.

OTHER PUBLICATIONS

Retevis RB19 Walkie Talkies . . . , posted on Amazon.com, first available May 9, 2020, [online], [site visited May 8, 2021], Internet URL: https://www.amazon.com/Retevis-Business-Rechargeable-Ultra-Slim-Commercial/dp/B088DBPXN2?ref_=ast_sto_dp (Year: 2020).*

(Continued)

Primary Examiner — Jeffrey D Asch

(57) **CLAIM**

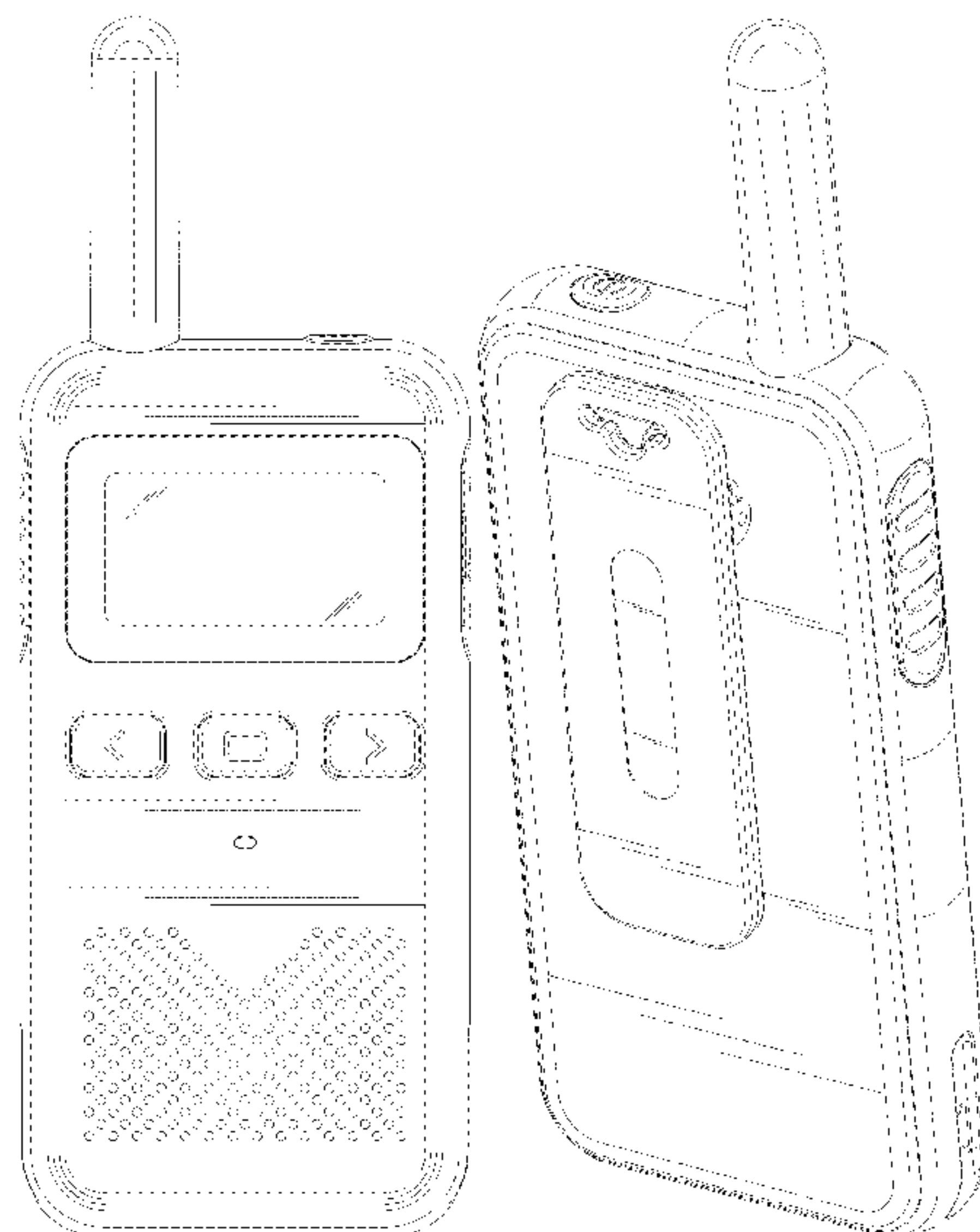
The ornamental design for a walkie talkie, as shown.

DESCRIPTION

FIG. 1 is a front elevational view of a walkie talkie showing my new design;
FIG. 2 is a rear elevational view thereof;
FIG. 3 is a left side view thereof;
FIG. 4 is a right side view thereof;
FIG. 5 is a top plan view thereof;
FIG. 6 is a bottom plan view thereof;
FIG. 7 is a perspective view thereof; and,
FIG. 8 is another perspective view thereof.

1 Claim, 8 Drawing Sheets

- (56) **References Cited**
- U.S. PATENT DOCUMENTS
- D262,965 S * 2/1982 Iwata D14/192
- 4,856,088 A * 8/1989 Oliwa G08B 5/225
455/349
- D321,692 S * 11/1991 Siddoway D14/226
- D330,339 S * 10/1992 Roselle D10/106.6
- D355,385 S * 2/1995 Abrams D14/159



(56)

References Cited

U.S. PATENT DOCUMENTS

D497,618 S * 10/2004 Andre D14/203.7
 D510,334 S * 10/2005 Isono D14/167
 D585,315 S * 1/2009 Chang D10/78
 D592,635 S * 5/2009 Obata D14/167
 D596,155 S * 7/2009 Sakai D14/167
 D623,160 S * 9/2010 Garn D14/138 AA
 D627,380 S * 11/2010 Sheppard D16/202
 D635,120 S * 3/2011 Sakai D14/167
 D635,544 S * 4/2011 Nohara D14/167
 D637,174 S * 5/2011 Elkerbout D14/159
 D705,681 S * 5/2014 Morishita D10/78
 D710,718 S * 8/2014 Ichihashi D10/81
 D723,007 S * 2/2015 Oh D14/218
 D798,003 S * 9/2017 Dong D30/199
 D810,042 S * 2/2018 Pazhoor D14/158
 D851,528 S * 6/2019 Bruder D10/104.1
 D869,306 S * 12/2019 Brockman D10/78
 D876,382 S * 2/2020 Hong D14/137
 D879,390 S * 3/2020 Cai D30/199
 D914,630 S * 3/2021 Li D14/137
 D920,270 S * 5/2021 Xiao D14/137
 2013/0305808 A1 * 11/2013 Yoo G01N 33/4972
 73/23.3
 2020/0133480 A1 * 4/2020 Heng H04W 52/027

FOREIGN PATENT DOCUMENTS

CN 305037174 * 2/2019
 CN 305307463 * 8/2019
 CN 305307507 * 8/2019
 CN 305312170 * 8/2019
 CN 305342541 * 9/2019
 CN 305611054 * 2/2020
 CN 306391327 * 3/2021
 EM 005227501-0002 * 4/2018
 JP D1534537 * 10/2015

OTHER PUBLICATIONS

WLN KD-C70 UHF Mini Handheld Intercom Walkie Talkie . . . ,
 posted on aliexpress.com, video available Mar. 19, 2020, [online],
 [site visited May 8, 2021], Internet URL: <https://www.aliexpress.com/item/4000793540451.html> (Year: 2020).
 Xiaomi MIJIA Walkie-Talkie 1S . . . , by Jed John Ikoba, posted Oct.
 27, 2018 on gizmochina.com, [online], [site visited May 5, 2021],
 Internet URL: <https://www.gizmochina.com/2018/10/27/xiaomi-mijia-walkie-talkie-1s-hands-on-so-much-sleekness-for-a-walkie-talkie/> (Year: 2018).*

* cited by examiner

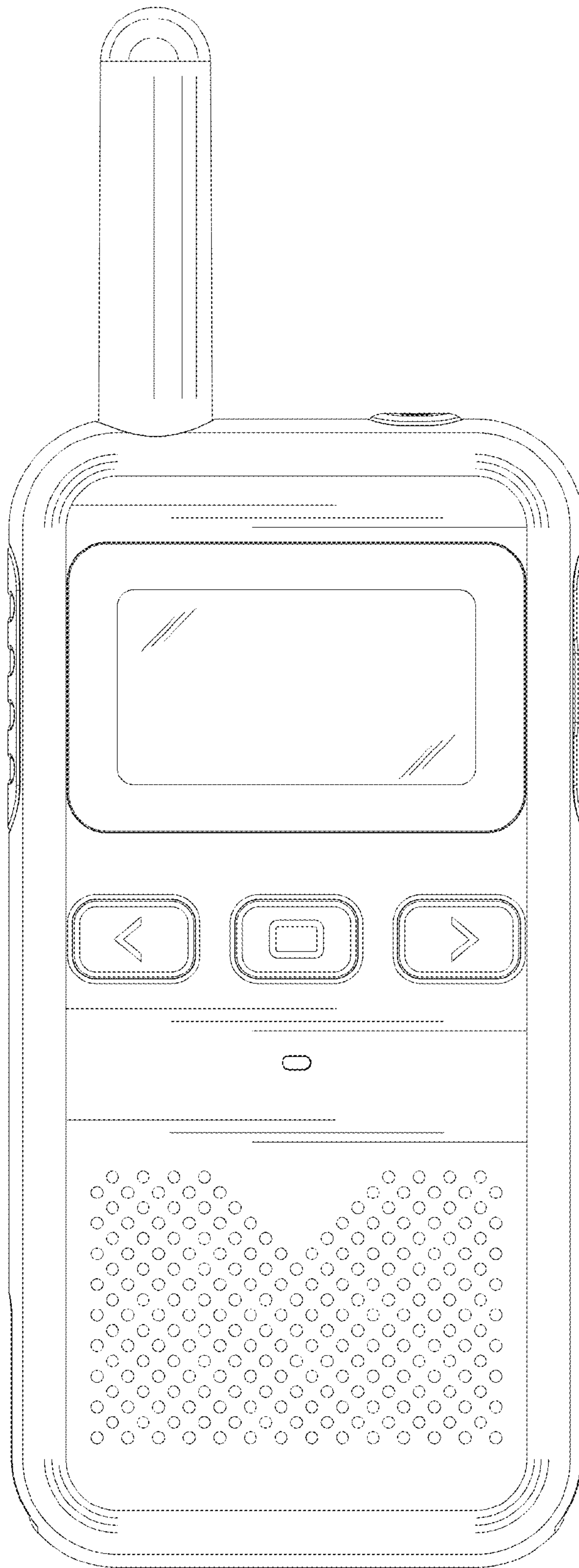


Fig. 1

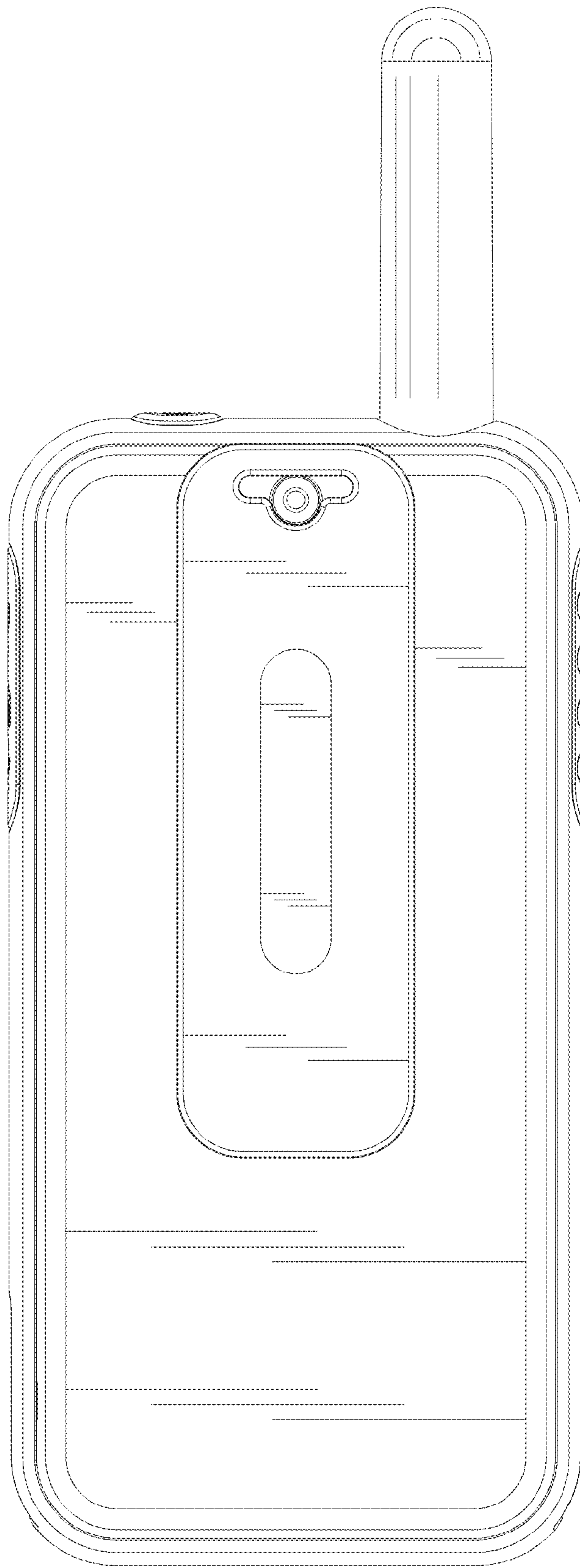


Fig. 2

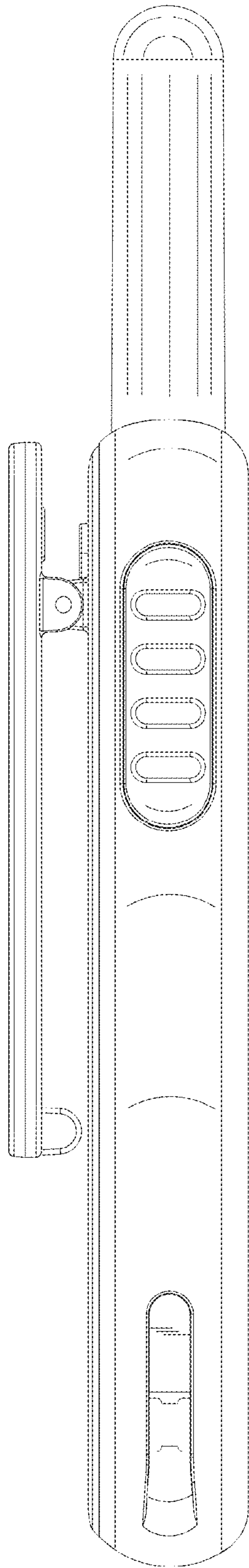


Fig. 3

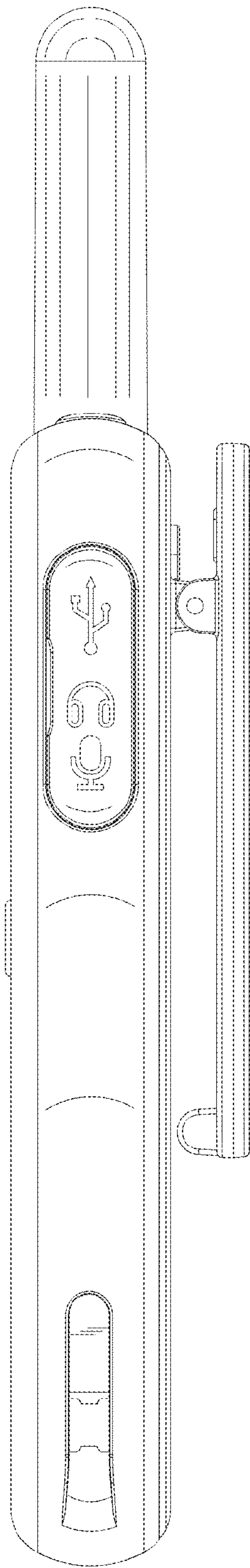


Fig. 4

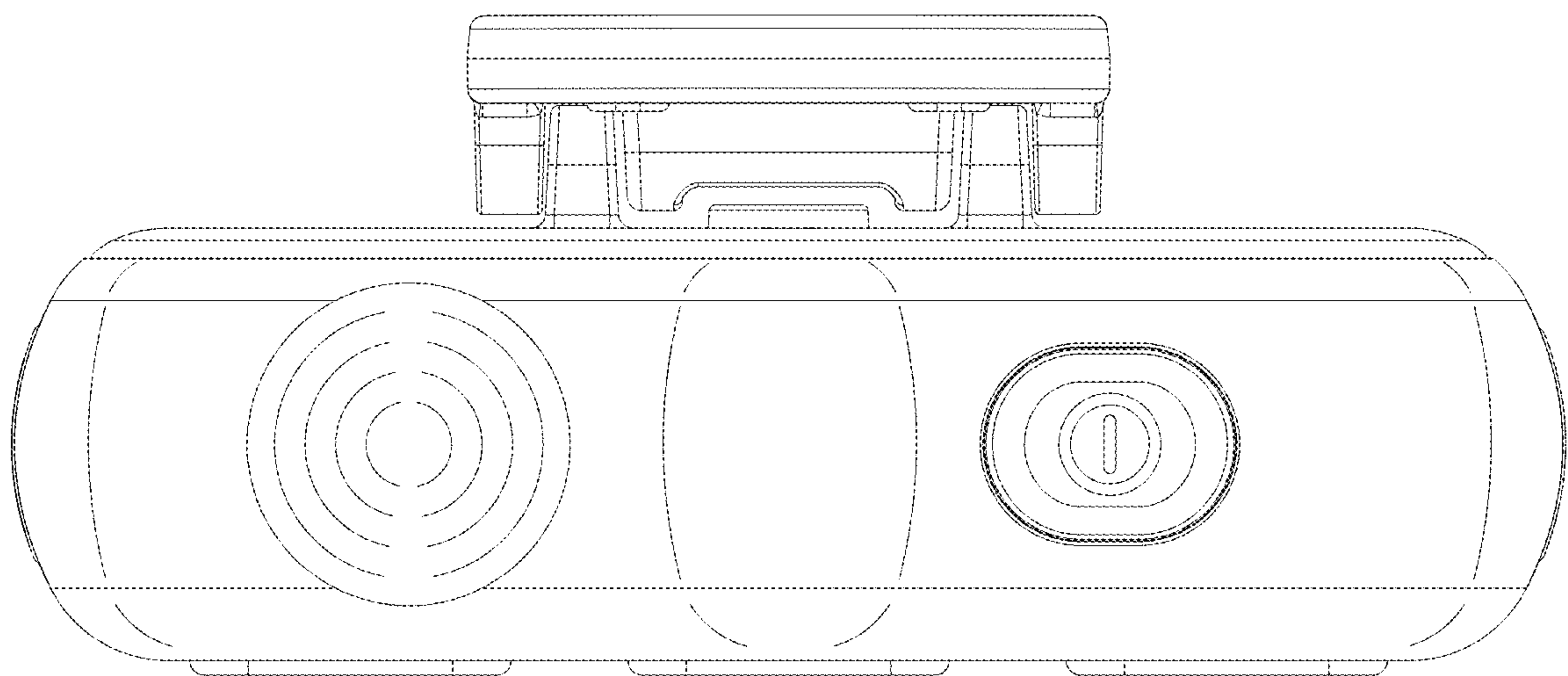


Fig. 5

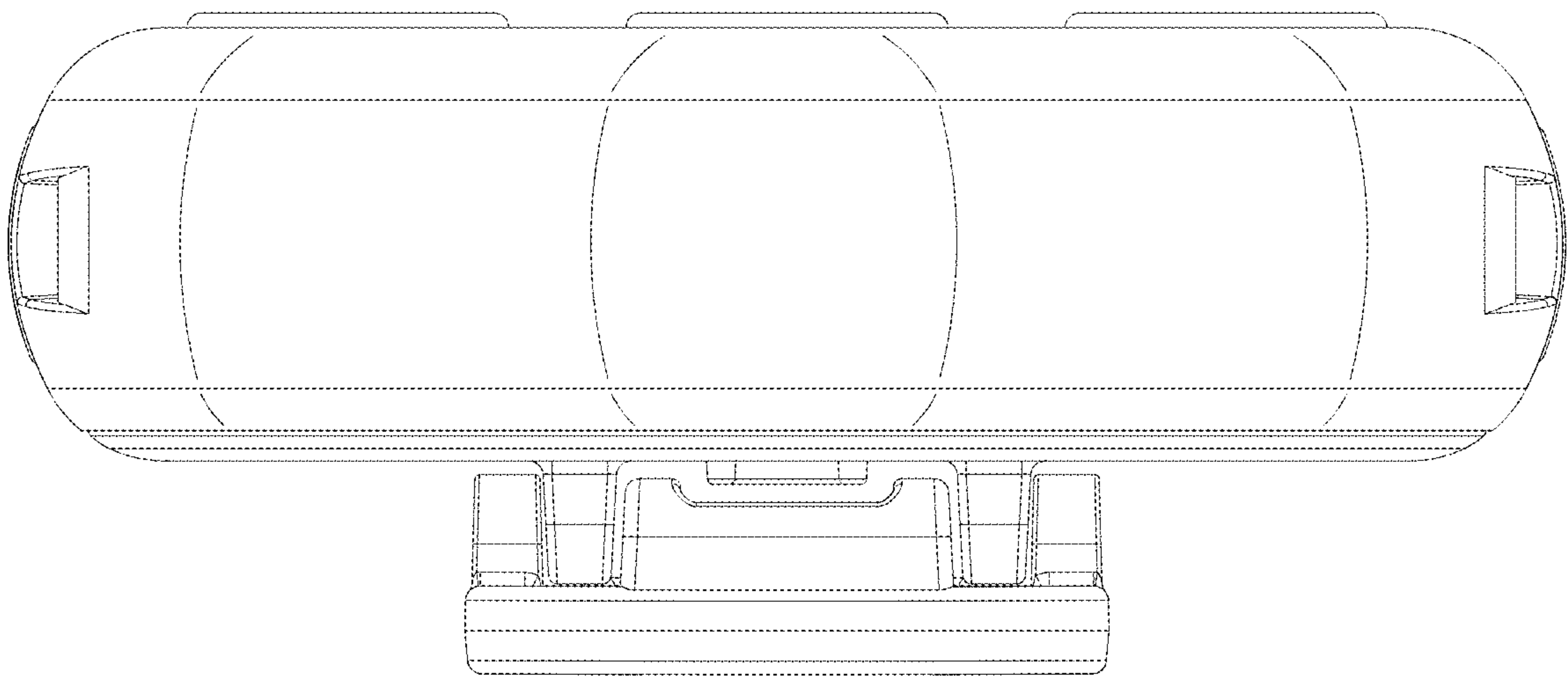


Fig. 6

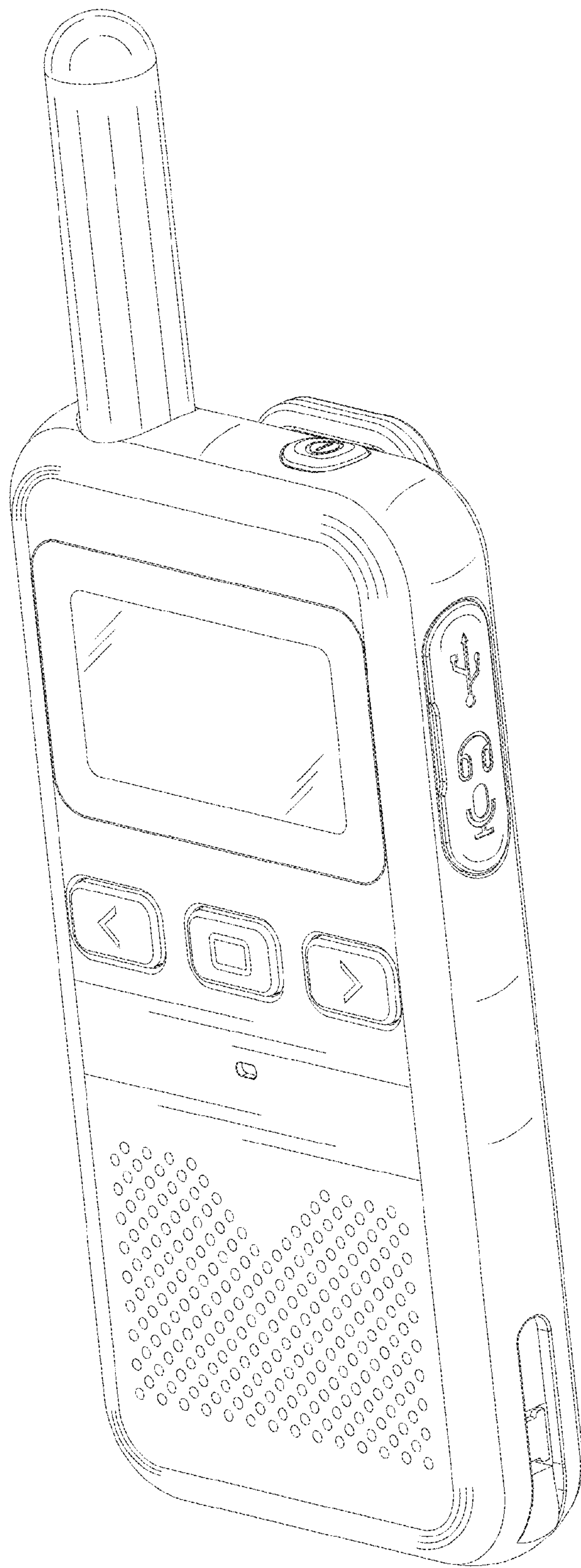


Fig. 7

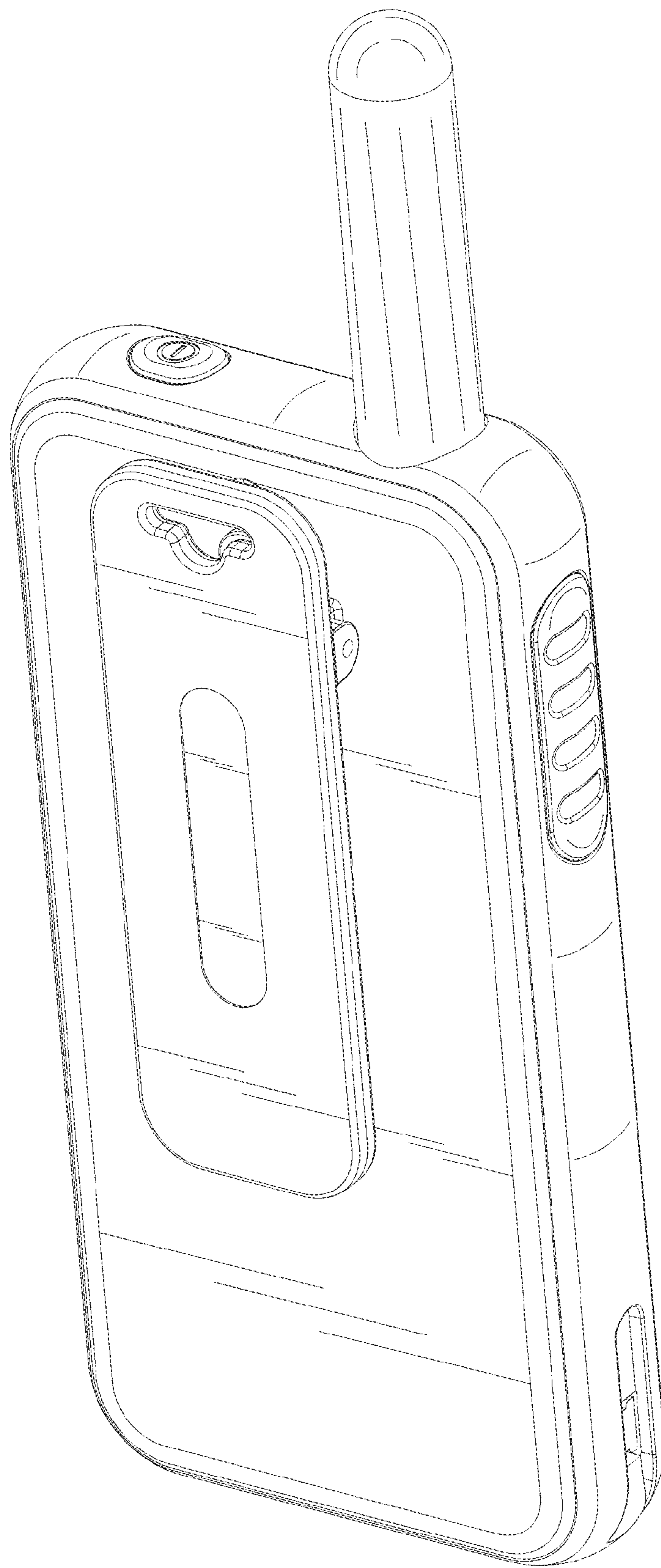


Fig. 8