



US00D931245S

(12) **United States Design Patent**  
**Hong**

(10) **Patent No.:** **US D931,245 S**

(45) **Date of Patent:** **\*\* Sep. 21, 2021**

(54) **WALKIE TALKIE**  
(71) Applicant: **Shuzhi Hong**, Fujian (CN)  
(72) Inventor: **Shuzhi Hong**, Fujian (CN)  
(\*\*) Term: **15 Years**

5,619,129 A \* 4/1997 Kamiya ..... G01R 1/36  
324/110  
D392,202 S \* 3/1998 Nitzberg ..... D10/106.1  
5,920,188 A \* 7/1999 Voorheis ..... G01R 15/12  
324/110  
6,363,244 B1 \* 3/2002 McGhee ..... H04B 1/385  
379/450

(Continued)

(21) Appl. No.: **29/682,011**  
(22) Filed: **Mar. 1, 2019**

**FOREIGN PATENT DOCUMENTS**

(30) **Foreign Application Priority Data**

CN 305037174 \* 2/2019  
CN 305281004 \* 7/2019

(Continued)

Nov. 23, 2018 (CN) ..... 201830671007.5

**OTHER PUBLICATIONS**

(51) **LOC (13) Cl.** ..... **14-03**

(52) **U.S. Cl.**  
USPC ..... **D14/137**

Retevis RB19 Walkie Talkies . . . , posted on Amazon.com, first available May 9, 2020, [online], [site visited May 8, 2021]. Internet URL: [https://www.amazon.com/Retevis-Business-Rechargeable-Ultra-Slim-Commercial/dp/B088DBPXN2?ref\\_ast\\_sto\\_dp](https://www.amazon.com/Retevis-Business-Rechargeable-Ultra-Slim-Commercial/dp/B088DBPXN2?ref_ast_sto_dp) (Year: 2020).\*

(Continued)

(58) **Field of Classification Search**

USPC ..... D14/137, 138 AA, 147, 148, 218, 155,  
D14/159, 142, 225, 226, 191, 203.3,  
D14/203.7, 203.1, 203.5, 188, 192,  
D14/194-198, 214, 219, 221, 172, 167;  
D21/517, 566, 324, 329, 331; D10/104.1,  
D10/104.2, 106.1, 65, 78; D13/168;  
D30/199

*Primary Examiner* — Jeffrey D Asch

CPC ..... H04B 1/3833; H04B 1/3827; H04B  
2001/3861; H04M 1/233; G08B 21/0202  
See application file for complete search history.

(57) **CLAIM**

The ornamental design for a walkie talkie, as shown.

(56) **References Cited**

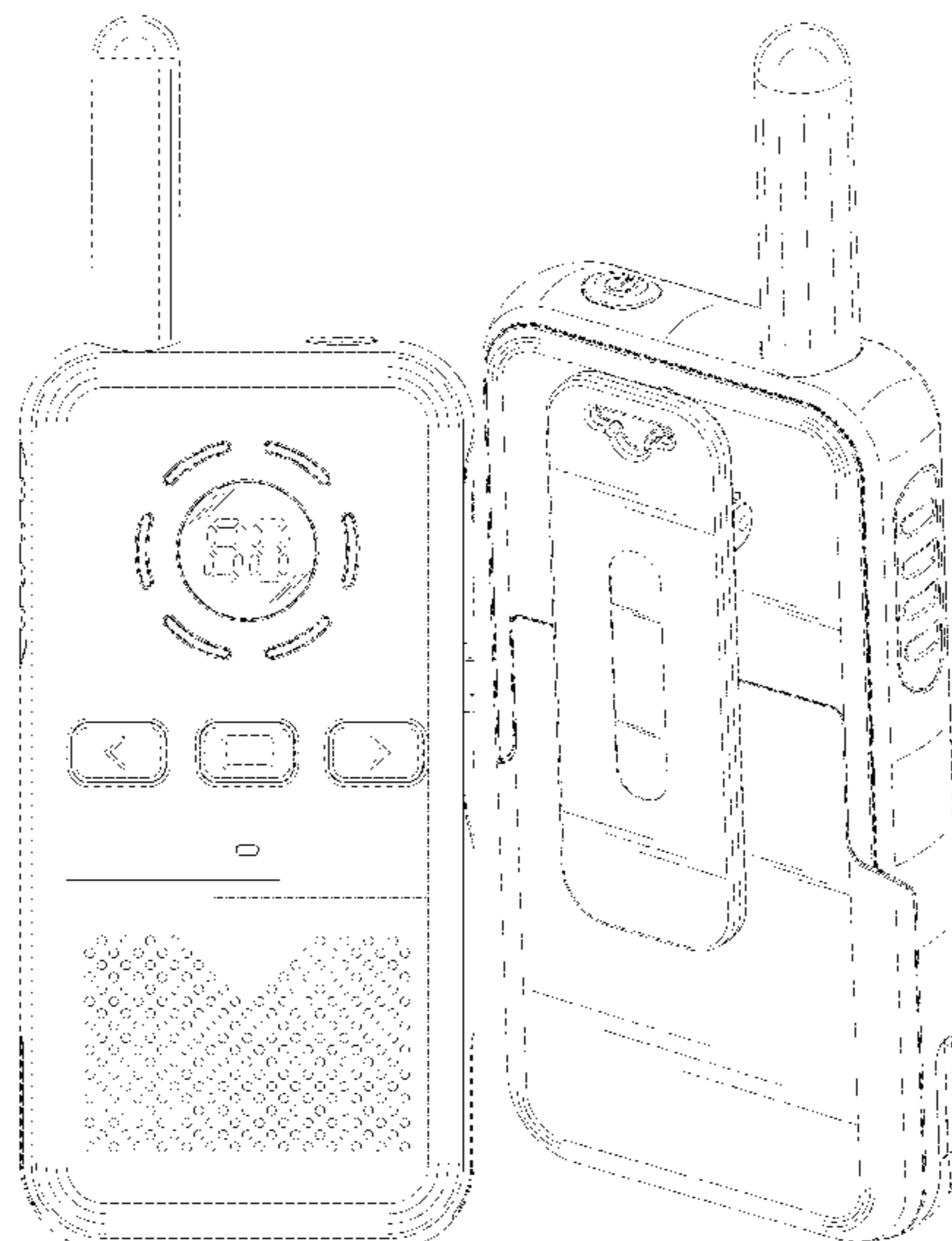
**DESCRIPTION**

**U.S. PATENT DOCUMENTS**

D262,965 S \* 2/1982 Iwata ..... D14/192  
4,856,088 A \* 8/1989 Oliwa ..... G08B 5/225  
455/349  
D330,339 S \* 10/1992 Roselle ..... D10/106.6  
D337,960 S \* 8/1993 Yuen ..... D10/106.1  
5,289,163 A \* 2/1994 Perez ..... G08B 21/0263  
340/525  
D355,385 S \* 2/1995 Abrams ..... D14/159  
5,442,337 A \* 8/1995 Hwang ..... G01R 15/125  
340/635

FIG. 1 is a front elevational view of a walkie talkie showing my new design;  
FIG. 2 is a rear elevational view thereof;  
FIG. 3 is a left side view thereof;  
FIG. 4 is a right side view thereof;  
FIG. 5 is a top plan view thereof;  
FIG. 6 is a bottom plan view thereof;  
FIG. 7 is a perspective view thereof; and,  
FIG. 8 is another perspective view thereof.

**1 Claim, 8 Drawing Sheets**



(56)

References Cited

U.S. PATENT DOCUMENTS

D497,618 S \* 10/2004 Andre ..... D14/203.7  
 D538,297 S \* 3/2007 Ching ..... D14/203.3  
 D585,315 S \* 1/2009 Chang ..... D10/78  
 D592,635 S \* 5/2009 Obata ..... D14/167  
 D596,155 S \* 7/2009 Sakai ..... D14/167  
 D623,160 S \* 9/2010 Garn ..... D14/138 AA  
 D627,380 S \* 11/2010 Sheppard ..... D16/202  
 D635,120 S \* 3/2011 Sakai ..... D14/167  
 D635,544 S \* 4/2011 Nohara ..... D14/167  
 D637,174 S \* 5/2011 Elkerbout ..... D14/159  
 D641,330 S \* 7/2011 DuBois ..... D14/137  
 8,073,178 B2 \* 12/2011 Tsao ..... H04R 1/083  
 381/355  
 D723,007 S \* 2/2015 Oh ..... D14/218  
 D740,782 S \* 10/2015 Thomas ..... D14/159  
 D764,957 S \* 8/2016 Bhattacharya ..... D10/104.1  
 D798,003 S \* 9/2017 Dong ..... D30/199  
 D800,085 S \* 10/2017 Shepher ..... D14/138 R  
 D810,042 S \* 2/2018 Pazhoor ..... D14/158  
 D822,005 S \* 7/2018 Goltche ..... D14/218  
 D851,528 S \* 6/2019 Bruder ..... D10/104.1  
 D860,154 S \* 9/2019 Hu ..... D14/155  
 D869,306 S \* 12/2019 Brockman ..... D10/78  
 D876,382 S \* 2/2020 Hong ..... D14/137  
 D879,390 S \* 3/2020 Cai ..... D30/199  
 D883,250 S \* 5/2020 Zheng ..... D14/203.7  
 D914,630 S \* 3/2021 Li ..... D14/137  
 2013/0305808 A1 \* 11/2013 Yoo ..... G01N 33/4972  
 73/23.3

FOREIGN PATENT DOCUMENTS

CN 305307506 \* 8/2019  
 CN 305327007 \* 8/2019  
 CN 305327048 \* 8/2019  
 CN 305851885 \* 2/2021  
 CN 306391327 \* 3/2021

OTHER PUBLICATIONS

WLN KD-C70 UHF Mini Handheld Intercom Walkie Talkie . . . , posted on aliexpress.com, video available Mar. 19, 2020, [online], [site visited May 8, 2021]. Internet URL: <https://www.aliexpress.com/item/4000793540451.html> (Year: 2020).\*

Retevis RT22S Walkie Talkies . . . , posted on Amazon.com, first available Jul. 9, 2019, [online], [site visited May 8, 2021]. Internet URL: [https://www.amazon.com/Retevis-Talkies-Rechargeable-Channel-Security/dp/B07V21ZMLQ/ref=sr\\_1\\_9?dchild=1&keywords=RT22S&qid=1620503487&sr=8-9](https://www.amazon.com/Retevis-Talkies-Rechargeable-Channel-Security/dp/B07V21ZMLQ/ref=sr_1_9?dchild=1&keywords=RT22S&qid=1620503487&sr=8-9) (Year: 2019).\*

FCC Certificated 2W Mini Walkie Talkie . . . , Brand: Daytech, Alibaba.com, not post date given, [online], [site visited May 5, 2021]. Internet URL: [https://www.alibaba.com/product-detail/FCC-Certificated-2W-Mini-Walkie-Talkie\\_1600132217475.html?spm=a2700.galleryofferlist.normal\\_offer.d\\_title.23d5547508ojx2](https://www.alibaba.com/product-detail/FCC-Certificated-2W-Mini-Walkie-Talkie_1600132217475.html?spm=a2700.galleryofferlist.normal_offer.d_title.23d5547508ojx2) (Year: 2021).\*

MINI WLN KD-C70S Walkie Talkie . . . , Alexnld.com, not post date given, [online], [site visited May 8, 2021]. Internet URL: [https://alexnld.com/product/mini-wln-kd-c70s-walkie-talkie-2w-16-ch-400-470mhz-uhf-handheld-two-way-radio-toy-comunicador-walkie-talkie/?gclid=Cj0KCQjwytOEBhD5ARIsANnRjVgaQWqajq8tgr6qbQd9seYvFYDVn6sFGyrz4H4mTVEgv-wZmrW8l3saAIC\\_EALw\\_wcB](https://alexnld.com/product/mini-wln-kd-c70s-walkie-talkie-2w-16-ch-400-470mhz-uhf-handheld-two-way-radio-toy-comunicador-walkie-talkie/?gclid=Cj0KCQjwytOEBhD5ARIsANnRjVgaQWqajq8tgr6qbQd9seYvFYDVn6sFGyrz4H4mTVEgv-wZmrW8l3saAIC_EALw_wcB) (Year: 2021).\*

\* cited by examiner

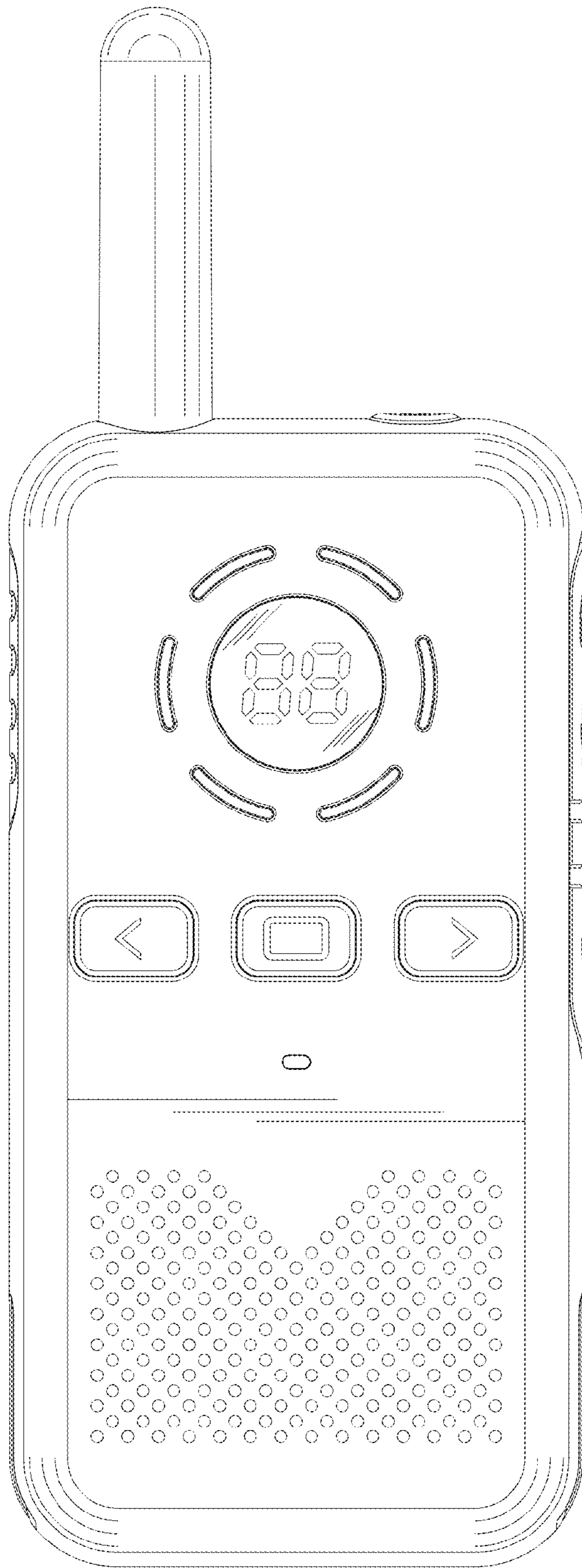


Fig. 1

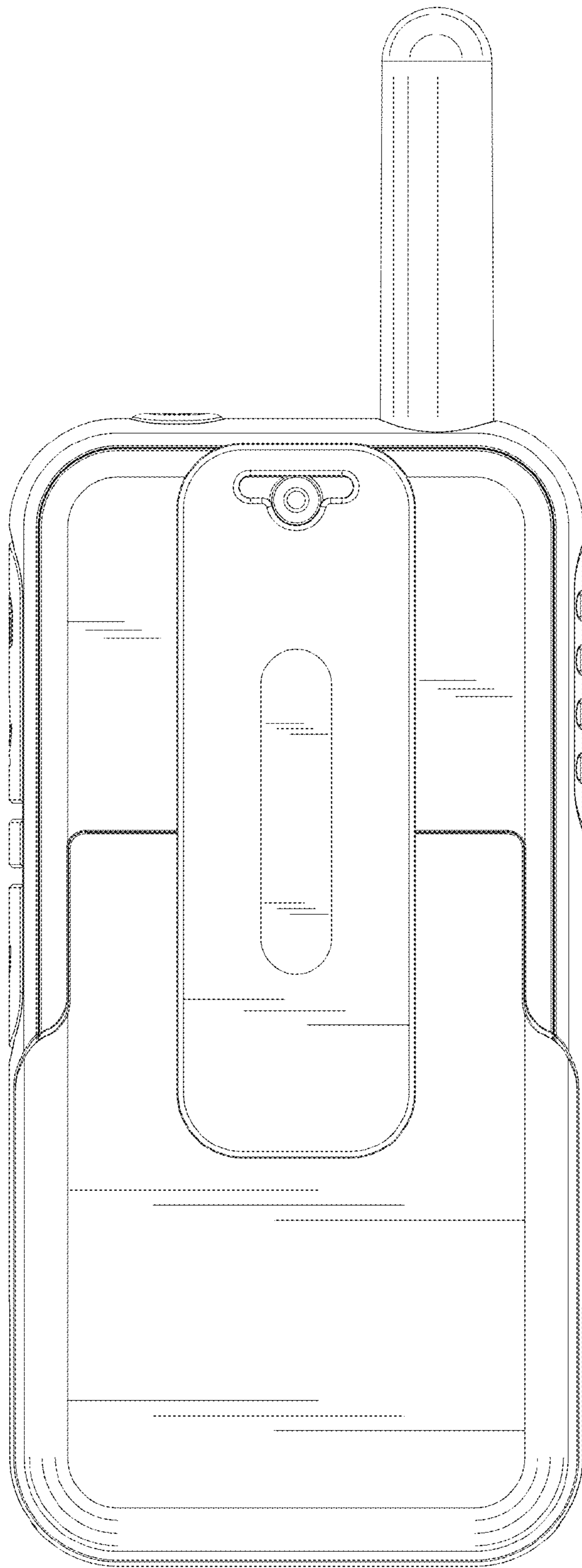


Fig. 2

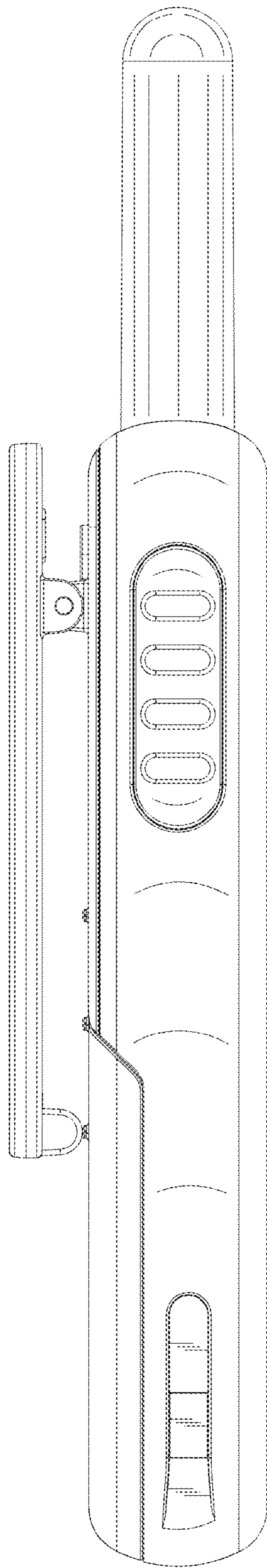


Fig. 3

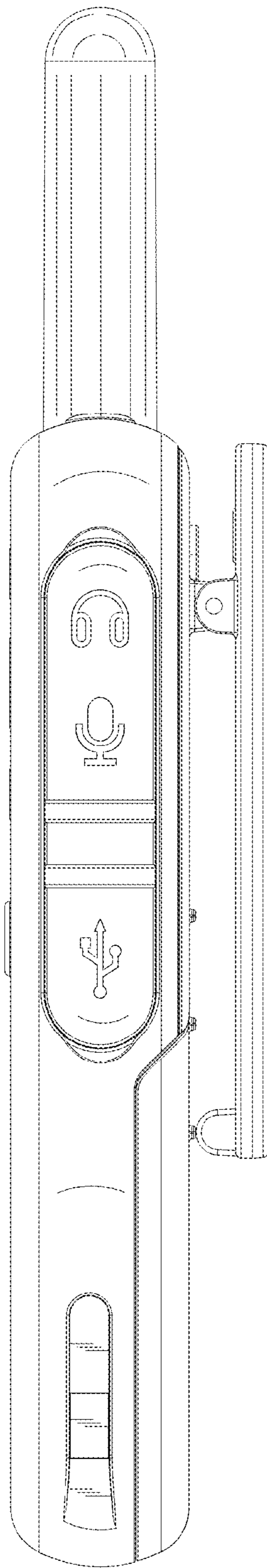


Fig. 4

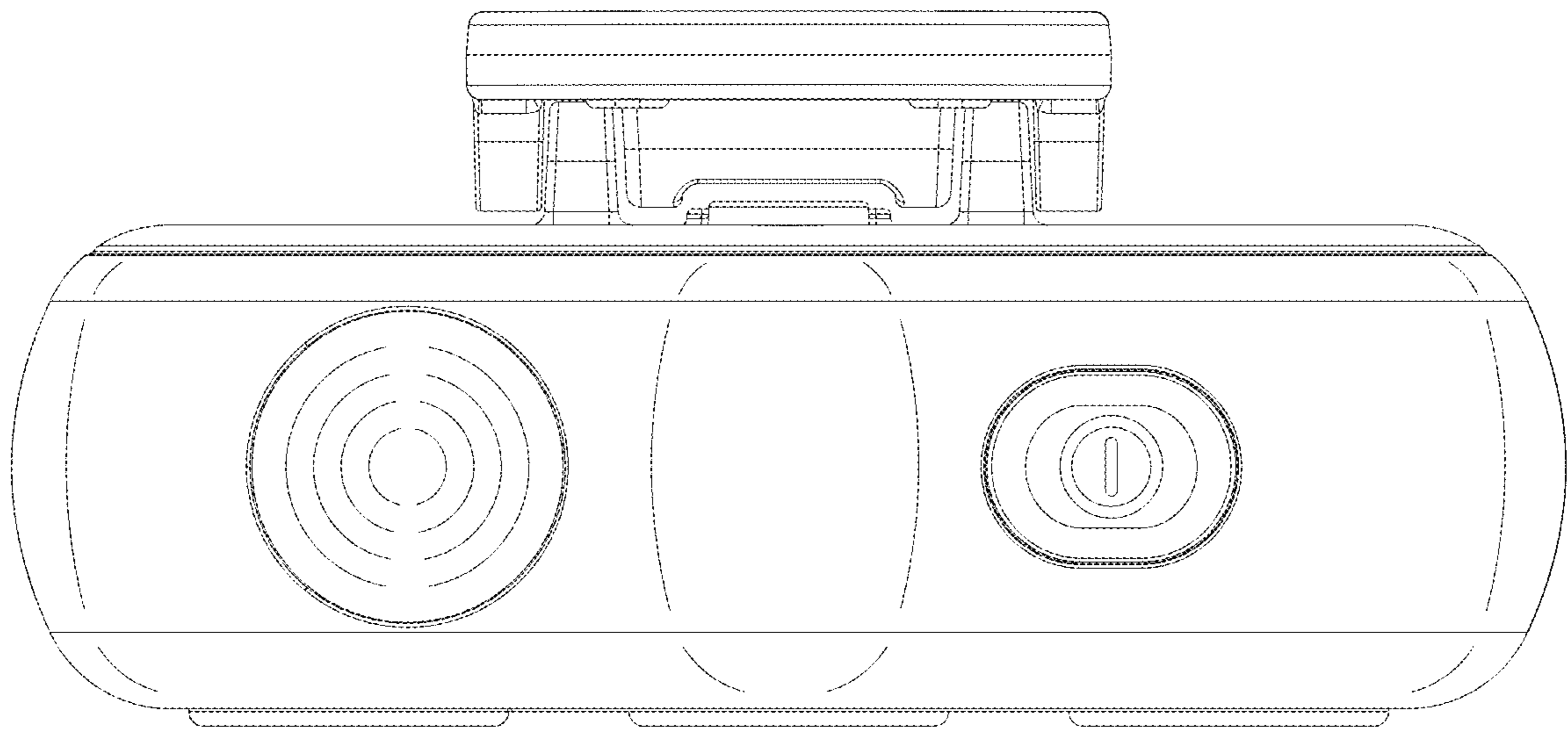


Fig. 5

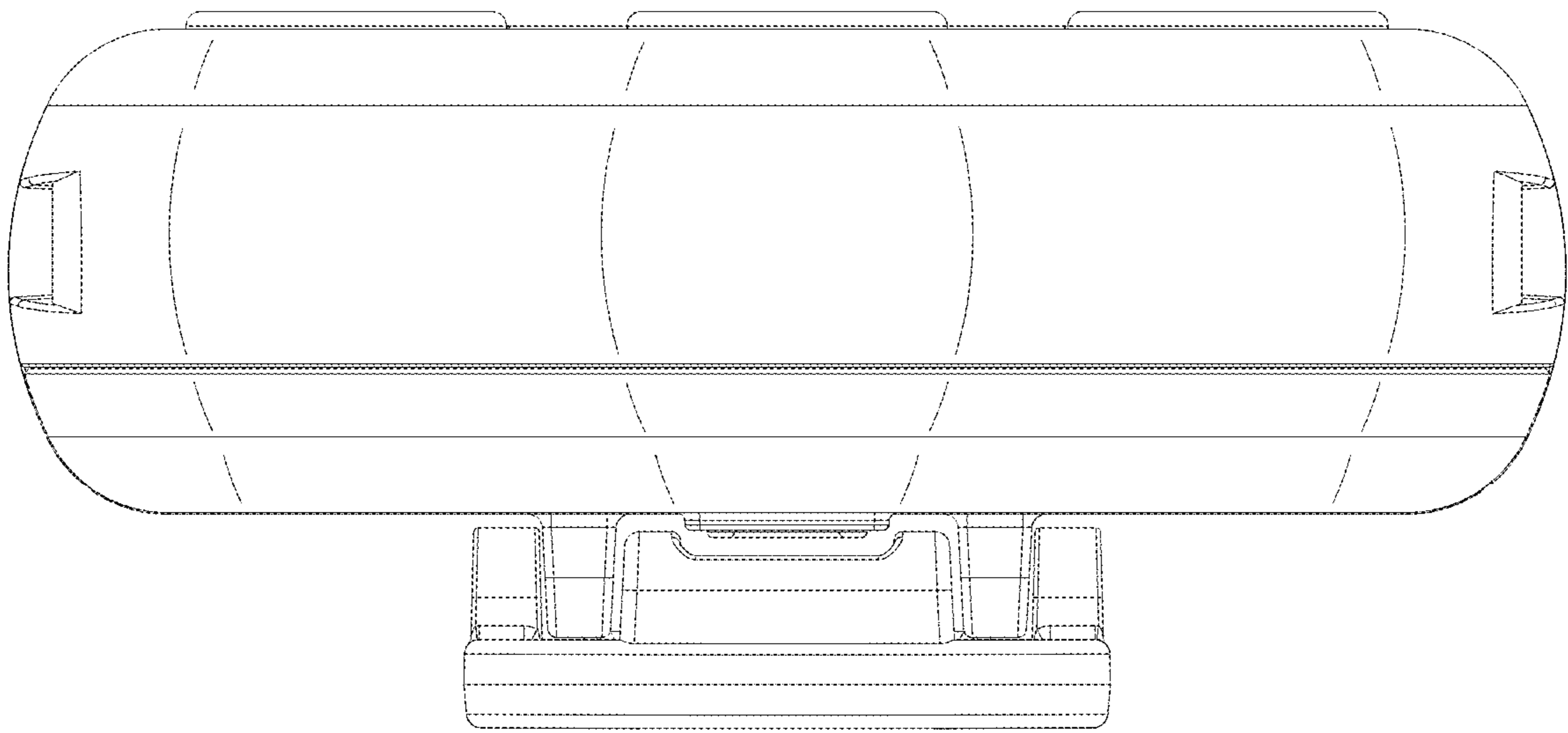


Fig. 6



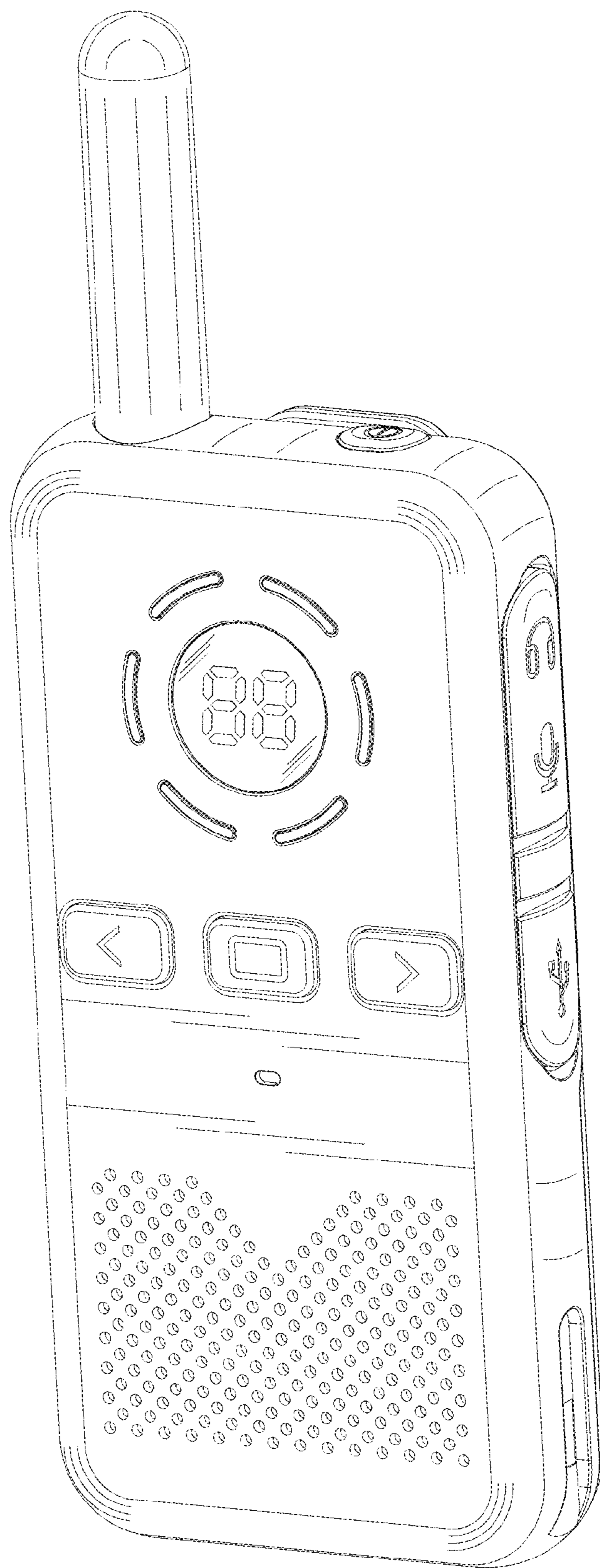


Fig. 7

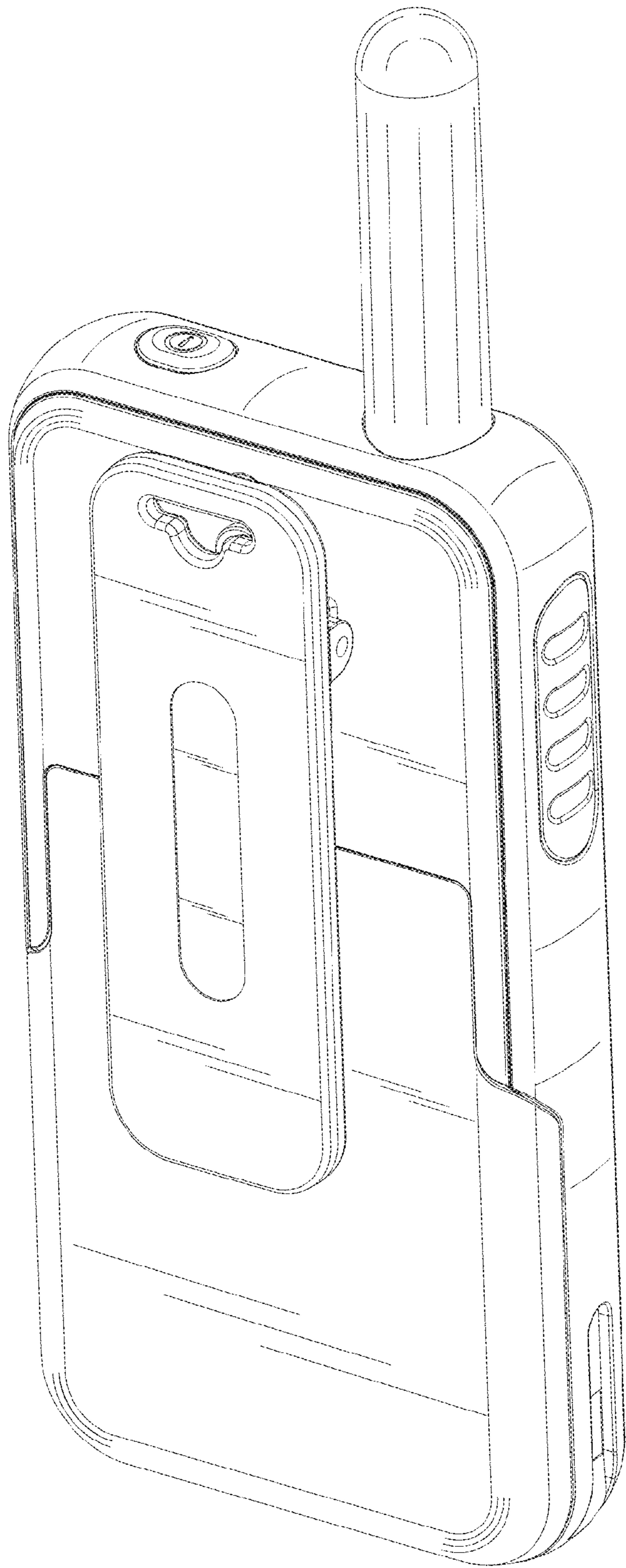


Fig. 8