



US00D931244S

(12) **United States Design Patent**  
**Kim et al.**

(10) **Patent No.:** **US D931,244 S**  
(45) **Date of Patent:** **\*\* Sep. 21, 2021**

(54) **TELEVISION WITH ROLLABLE DISPLAY**

(71) Applicant: **LG ELECTRONICS INC.**, Seoul (KR)

(72) Inventors: **Seonkyu Kim**, Seoul (KR);  
**Youngyoung Kim**, Seoul (KR);  
**Yunjoo Kim**, Seoul (KR); **Cheolwoong Shin**, Seoul (KR); **Minjae Lee**, Seoul (KR); **Hyunbyung Cha**, Seoul (KR)

(73) Assignee: **LG Electronics Inc.**, Seoul (KR)

(\*\*) Term: **15 Years**

(21) Appl. No.: **29/715,750**

(22) Filed: **Dec. 4, 2019**

(30) **Foreign Application Priority Data**

Jun. 4, 2019 (KR) ..... 30-2019-0026626

(51) **LOC (13) Cl.** ..... **14-03**

(52) **U.S. Cl.**  
USPC ..... **D14/126**

(58) **Field of Classification Search**  
USPC ..... D14/125–138, 138 AD, 138 G, 138 R,  
D14/204, 239, 248, 314–316, 322, 326,  
D14/334–336, 339, 340, 341, 371,  
D14/373–377, 448, 450; D6/300, 308,  
D6/310, 314, 320, 332, 553, 642–643,  
D6/650.1, 653.15, 654.15, 657, 661, 675;  
D16/229, 235, 241; D21/324, 329, 332,  
D21/515; D20/42  
CPC ..... G03B 21/58; G03B 21/56; G06F 1/16;  
G06F 1/1601; G06F 1/1637; G06F  
1/1605; G06F 1/162; G06F 1/1652; G09F  
9/301; H04N 5/64; H05K 5/0204; H05K  
5/0017; H05K 5/0217

See application file for complete search history.

(56) **References Cited**

U.S. PATENT DOCUMENTS

D430,121 S \* 8/2000 Revoldini ..... D14/374  
D607,916 S \* 1/2010 Orion ..... D16/241  
D783,553 S \* 4/2017 Kim ..... D14/126  
D847,108 S \* 4/2019 Catania ..... D14/126

(Continued)

*Primary Examiner* — Ramzi Almatrahi

*Assistant Examiner* — Charles Cunningham

(74) *Attorney, Agent, or Firm* — Birch, Stewart, Kolasch & Birch, LLP

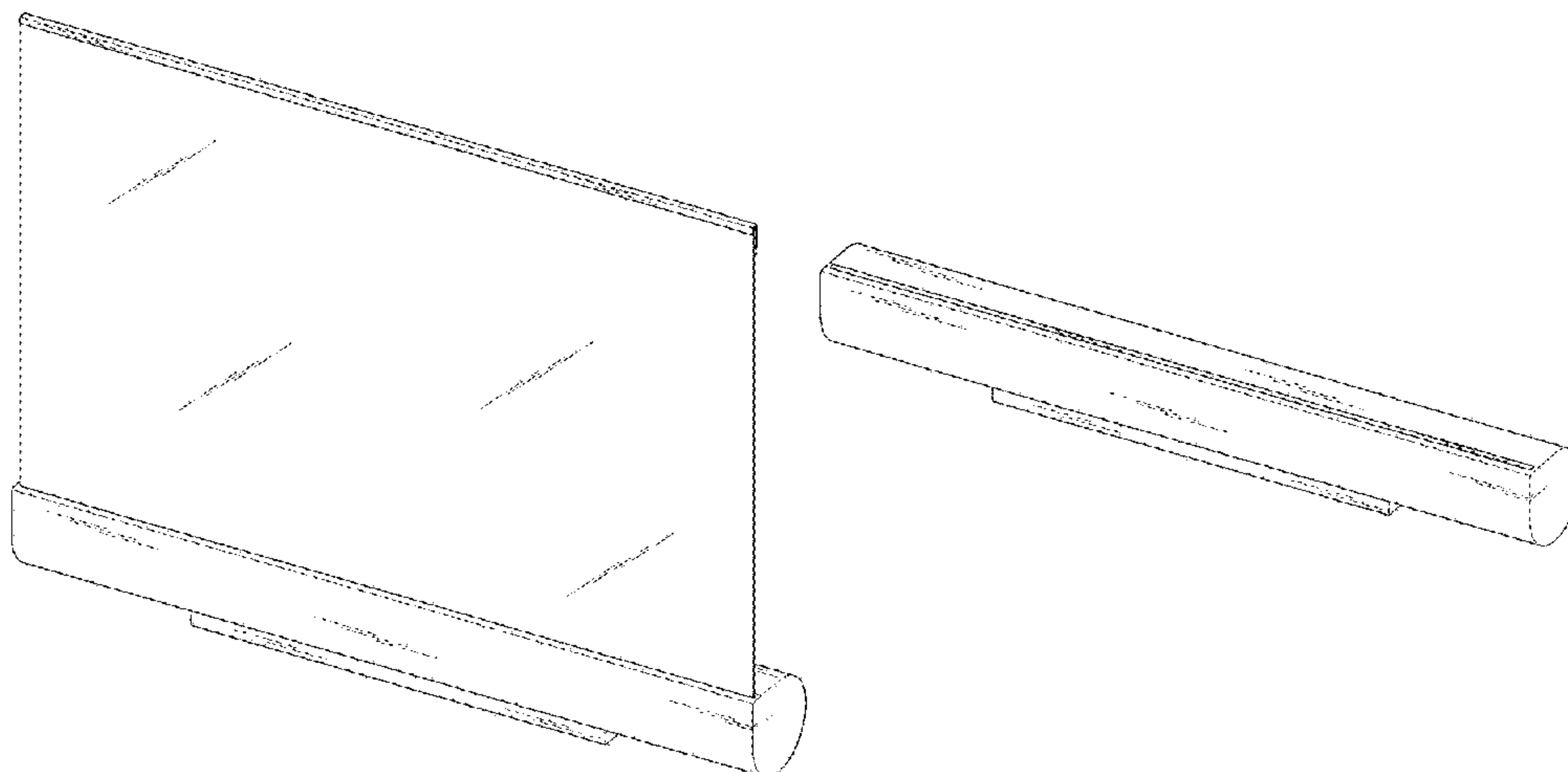
(57) **CLAIM**

We claim the ornamental design for a television with rollable display, as shown and described.

**DESCRIPTION**

FIG. 1 is a top, front and right side perspective view of a television with rollable display, shown in condition of use with the display in a rolled up configuration;  
FIG. 2 is a rear perspective view thereof;  
FIG. 3 is a front elevation view thereof;  
FIG. 4 is a rear elevation view thereof;  
FIG. 5 is a left side elevation view thereof;  
FIG. 6 is a right side elevation view thereof;  
FIG. 7 is a top plan view thereof;  
FIG. 8 is a bottom plan view thereof;  
FIG. 9 is a top, front and right side perspective view thereof, shown with the display in a rolled down configuration;  
FIG. 10 is a front elevation view thereof;  
FIG. 11 is a rear elevation view thereof;  
FIG. 12 is a left side elevation view thereof;  
FIG. 13 is a right side elevation view thereof;  
FIG. 14 is a top plan view thereof; and,  
FIG. 15 is a bottom plan view thereof.

(Continued)



The broken lines depict portions of the television with rollable display in which the design is embodied that form no part of the claimed design.

**1 Claim, 15 Drawing Sheets**

(56) **References Cited**

U.S. PATENT DOCUMENTS

|              |    |   |         |          |       |                       |
|--------------|----|---|---------|----------|-------|-----------------------|
| D875,815     | S  | * | 2/2020  | Fest     | ..... | D16/241               |
| D900,770     | S  | * | 11/2020 | Lee      | ..... | D14/126               |
| D901,410     | S  | * | 11/2020 | Kim      | ..... | D14/126               |
| D912,637     | S  | * | 3/2021  | Lee      | ..... | D14/126               |
| D913,981     | S  | * | 3/2021  | Kim      | ..... | D14/126               |
| D915,317     | S  | * | 4/2021  | Kim      | ..... | D14/126               |
| 2006/0279840 | A1 | * | 12/2006 | Yamauchi | ..... | G03B 21/56<br>359/461 |
| 2017/0318688 | A1 | * | 11/2017 | Kim      | ..... | G06F 1/1652           |
| 2019/0278335 | A1 | * | 9/2019  | Yeh      | ..... | G06F 1/1601           |

\* cited by examiner

FIG. 1

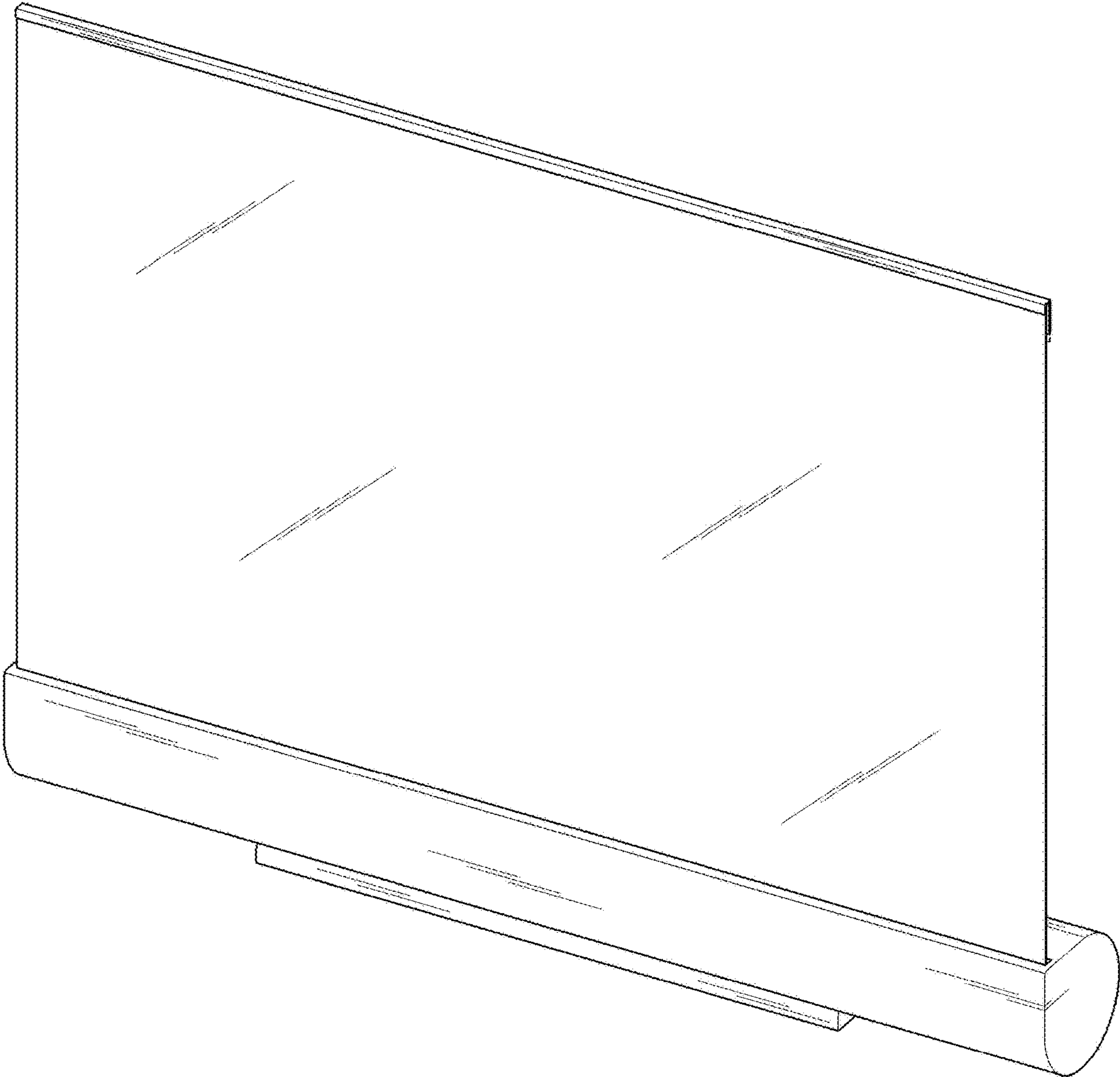


FIG. 2

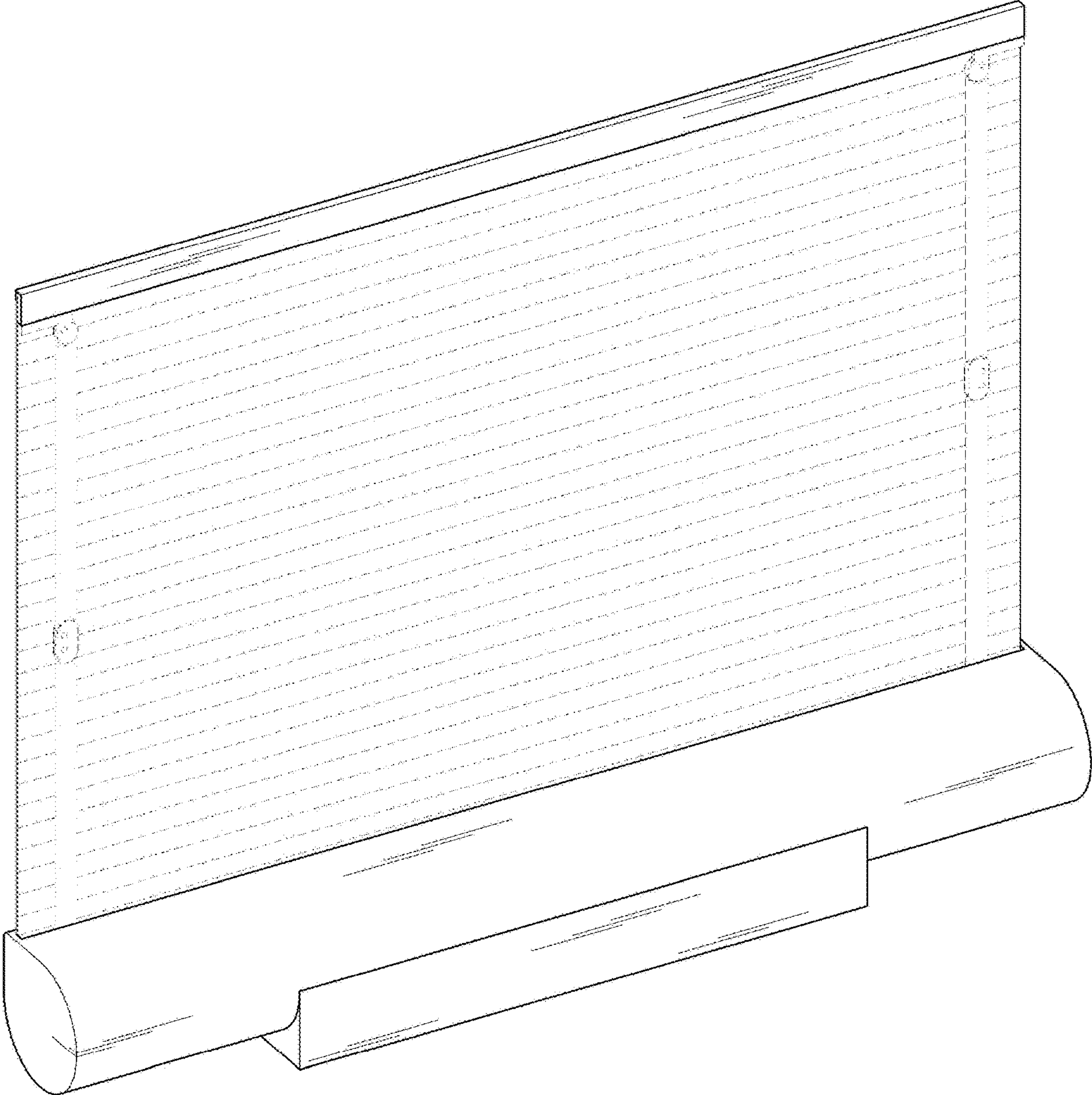


FIG. 3

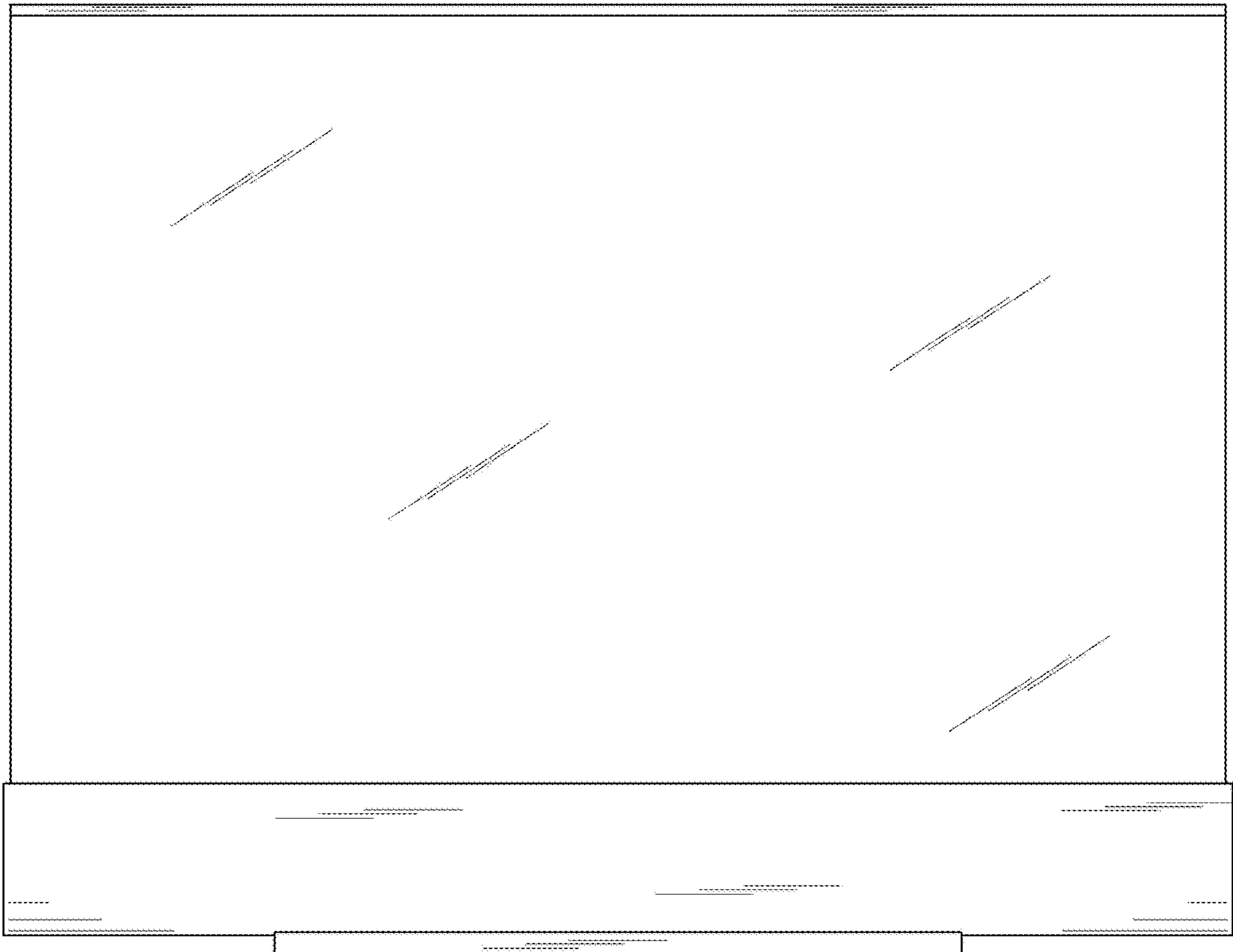




FIG. 4

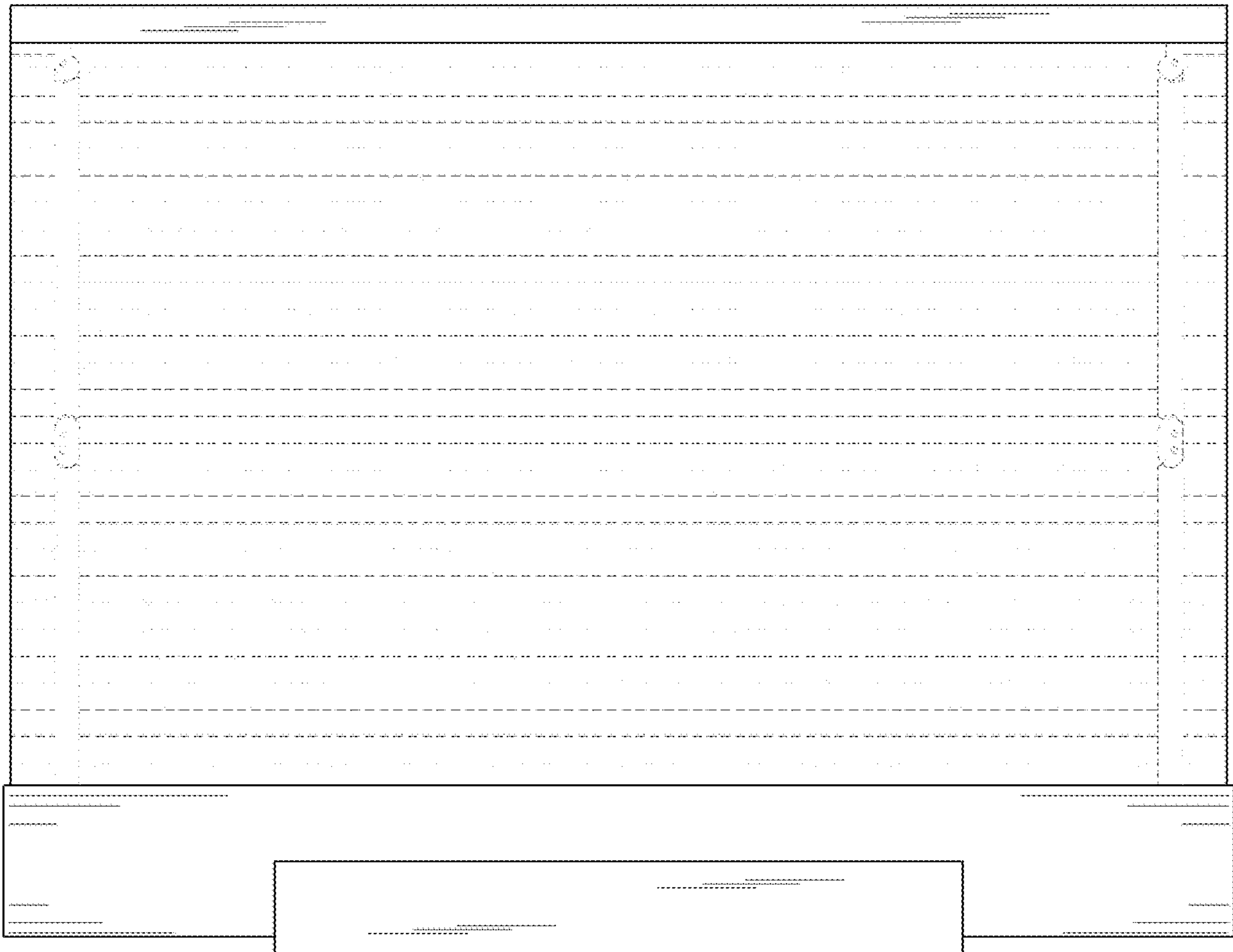


FIG. 5

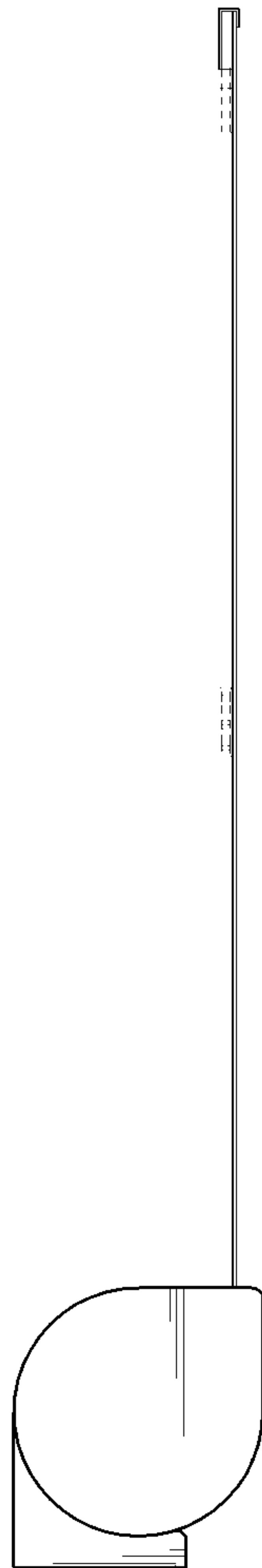


FIG. 6

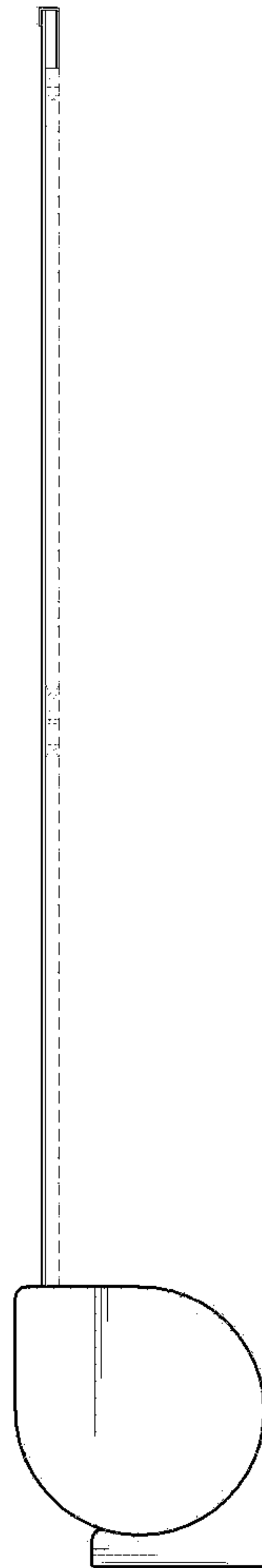




FIG. 7

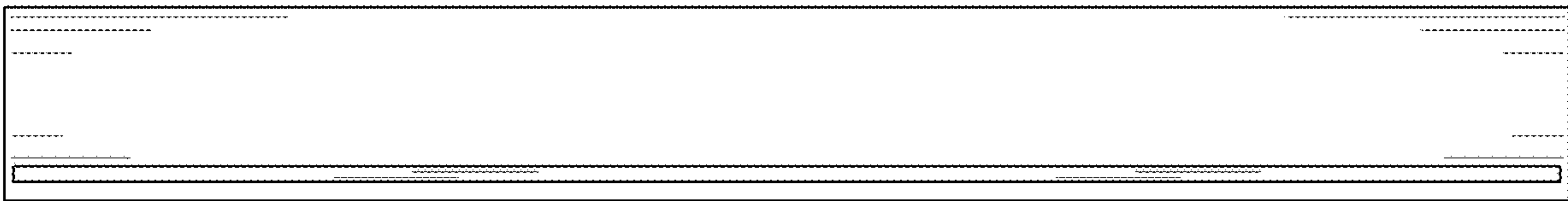


FIG. 8

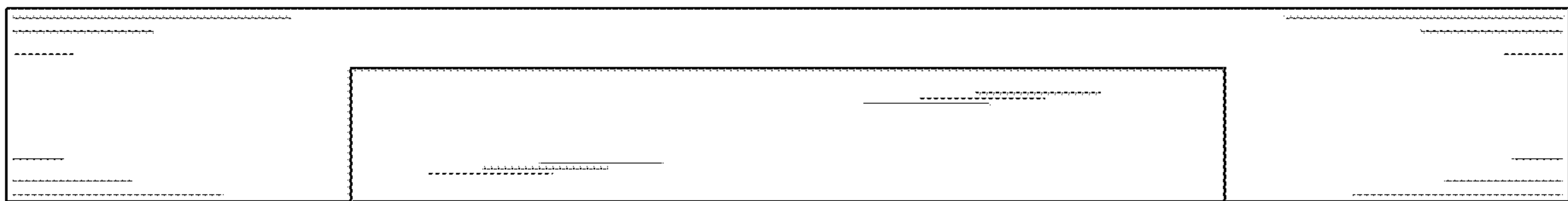


FIG. 9

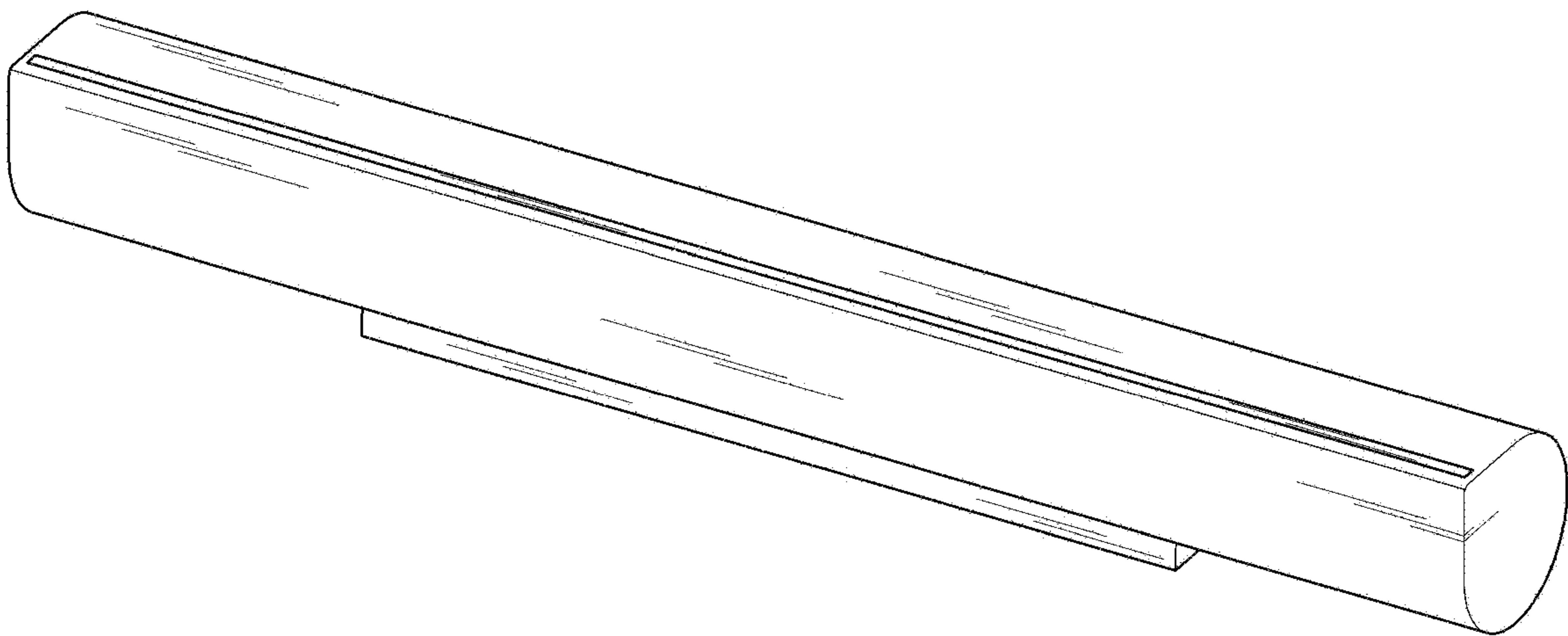


FIG. 10

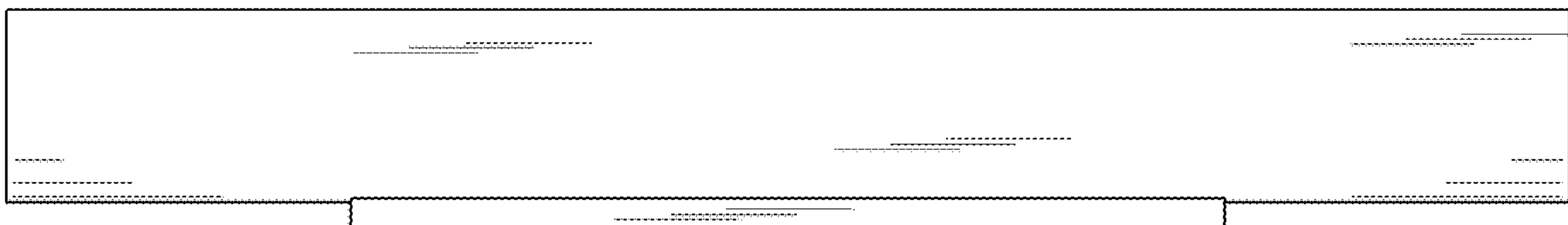


FIG. 11

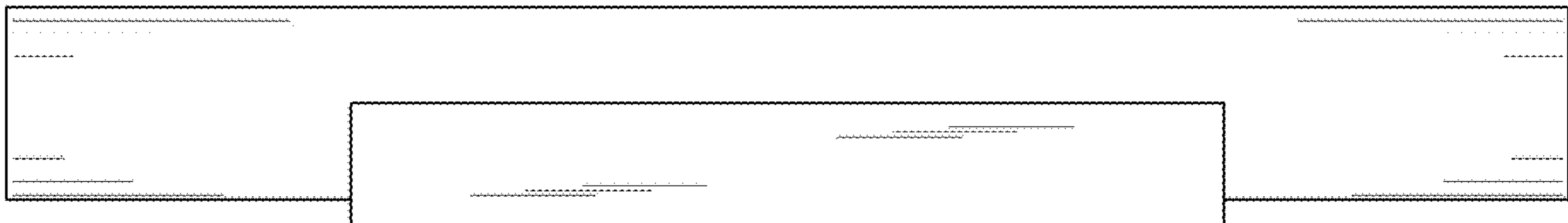


FIG. 12

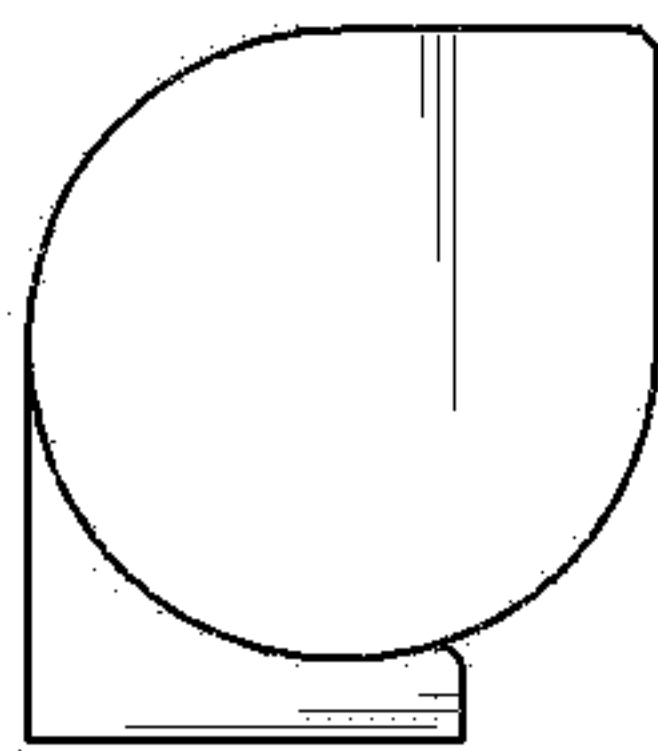


FIG. 13

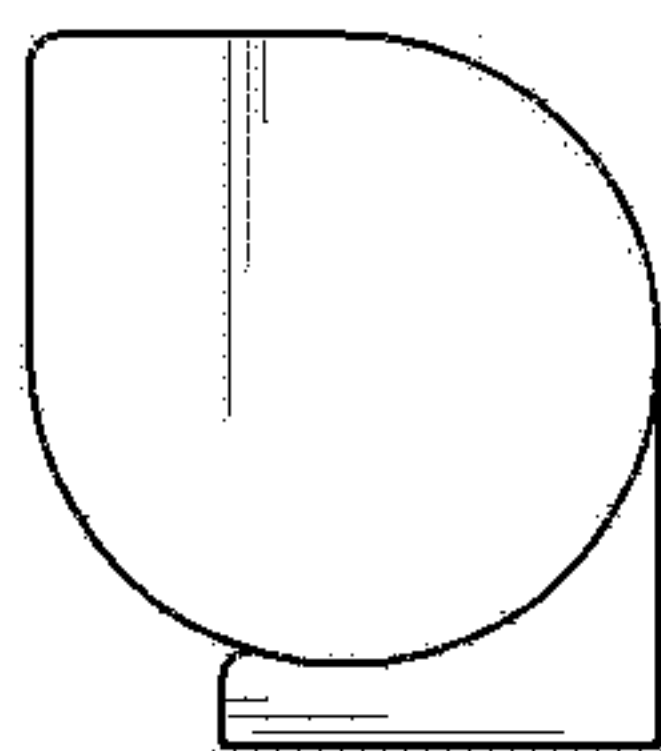




FIG. 14

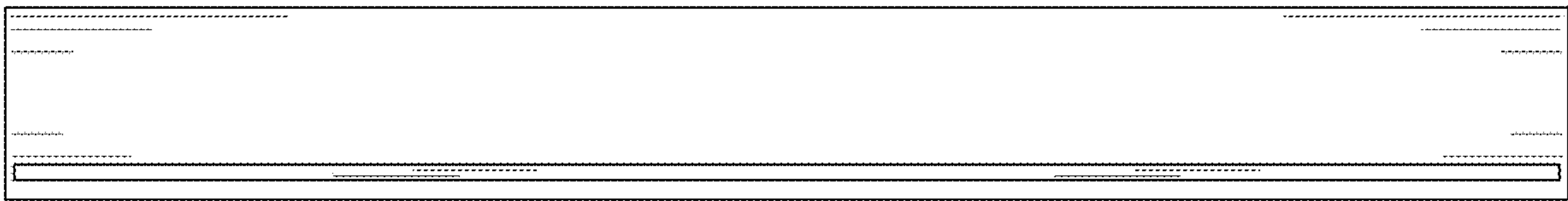


FIG. 15

