



US00D931243S

(12) **United States Design Patent** (10) **Patent No.:** **US D931,243 S**  
**Walter et al.** (45) **Date of Patent:** **\*\* Sep. 21, 2021**

(54) **VIDEO ENCODER**

(71) Applicant: **Axis AB**, Lund (SE)

(72) Inventors: **Mathias Walter**, Lund (SE); **Mariano Vozzi**, Lund (SE); **Jonas Sjögren**, Lund (SE); **Johanna Christensson**, Lund (SE)

(73) Assignee: **AXIS AB**, Lund (SE)

(\*\*) Term: **15 Years**

(21) Appl. No.: **29/784,831**

(22) Filed: **May 21, 2021**

**Related U.S. Application Data**

(62) Division of application No. 29/693,447, filed on Jun. 3, 2019.

(30) **Foreign Application Priority Data**

Dec. 6, 2018 (EM) ..... 005845427-0001  
Dec. 6, 2018 (EM) ..... 005845427-0002

(51) **LOC (13) Cl.** ..... **14-03**

(52) **U.S. Cl.**  
USPC ..... **D14/125**

(58) **Field of Classification Search**

USPC ..... D14/125-126, 127-137, 157, 167-168,  
D14/203.1-203.8, 239, 260, 314-317,  
D14/322, 334-336, 339-341, 356-358,  
D14/371, 373-374, 432-434, 498;  
D16/200-208, 211, 216-219, 221, 230,  
D16/237  
CPC ..... G06F 1/16; G06F 1/1601; G06F 1/1637;  
H04N 5/64; H05K 5/0017; H05K 5/0204;  
H05K 5/0217

See application file for complete search history.

(56) **References Cited**

U.S. PATENT DOCUMENTS

D305,024 S \* 12/1989 Nishiyori ..... D14/131  
5,285,500 A \* 2/1994 Mantz ..... H04B 1/20  
381/120

(Continued)

FOREIGN PATENT DOCUMENTS

CA 187900 \* 12/2020  
CN 305973461 \* 8/2020

(Continued)

OTHER PUBLICATIONS

Axis Communications Video Server, date first available: Oct. 25, 2019, [retrieved Jun. 17, 2021], Retrieved from Internet, URL: <[https://www.amazon.com/Axis-Communications-Video-Server-Channels/dp/B07Y6X3D5D/ref=sr\\_1\\_36?dchild=1&keywords=AXIS+P7304+Network+Vi%E2%80%A6](https://www.amazon.com/Axis-Communications-Video-Server-Channels/dp/B07Y6X3D5D/ref=sr_1_36?dchild=1&keywords=AXIS+P7304+Network+Vi%E2%80%A6)> (Year: 2019).\*

(Continued)

*Primary Examiner* — Barbara Fox  
*Assistant Examiner* — Aram Kwon  
(74) *Attorney, Agent, or Firm* — Tucker Ellis LLP

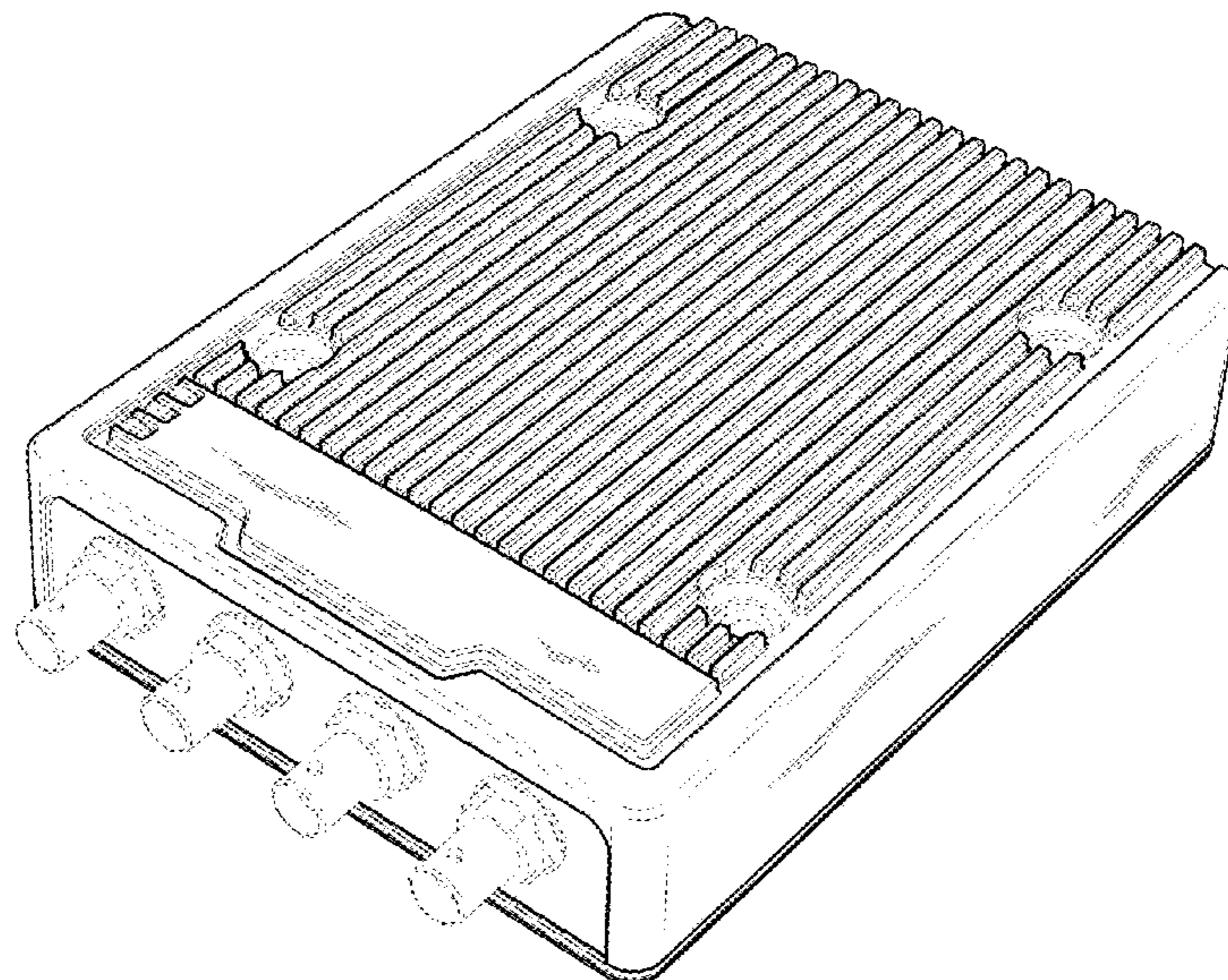
(57) **CLAIM**

The ornamental design for a video encoder, as shown and described.

**DESCRIPTION**

FIG. 1 is a perspective view of a video encoder showing our new design;  
FIG. 2 is a front view thereof;  
FIG. 3 is a rear view thereof;  
FIG. 4 is a left side view thereof;  
FIG. 5 is a right side view thereof;  
FIG. 6 is a top view thereof; and,  
FIG. 7 is a bottom view thereof.  
The broken lines are for the purpose of illustrating portions of the video encoder that form no part of the claimed design.

**1 Claim, 4 Drawing Sheets**



(56)

References Cited

U.S. PATENT DOCUMENTS

D439,243 S \* 3/2001 Miyazaki ..... D14/137  
 D585,439 S \* 1/2009 Ching ..... D14/300  
 D599,776 S \* 9/2009 Nakagawa ..... D14/137  
 D634,720 S \* 3/2011 Cheng ..... D13/184  
 D635,106 S \* 3/2011 Cheng ..... D13/184  
 D642,549 S \* 8/2011 Zeinoun ..... D14/125  
 D694,735 S \* 12/2013 Wilson ..... D14/188  
 D703,181 S \* 4/2014 Wilson ..... D14/188  
 D720,789 S \* 1/2015 Minamide ..... D16/203  
 D762,614 S \* 8/2016 Matsui ..... D14/188  
 D789,931 S \* 6/2017 Drew ..... D14/357  
 D798,266 S \* 9/2017 Goltche ..... D14/188  
 D843,959 S \* 3/2019 Tang ..... D14/125  
 D863,403 S \* 10/2019 Garre ..... D16/203  
 D876,512 S \* 2/2020 Garre ..... D16/203  
 D876,516 S \* 2/2020 Garre ..... D16/203  
 D912,125 S \* 3/2021 Gao ..... D16/218  
 2019/0341674 A1 \* 11/2019 Rosenthal ..... H01Q 1/246

FOREIGN PATENT DOCUMENTS

CN 306249183 \* 12/2020  
 EM 002941013-0001 1/2016  
 EM 003375427-0001 9/2016

OTHER PUBLICATIONS

Axis M7104 Video Encoder, date first available: Dec. 6, 2020, [retrieved Jun. 17, 2021], Retrieved from Internet, URL: <[https://www.amazon.com/Axis-Communications-01679-001-M7104-Encoder/dp/B07Y6VKFDP/ref=pd\\_sbs\\_1/145-1368511-6281309?pd\\_rd\\_w=zrfXb&%E2%80%A6](https://www.amazon.com/Axis-Communications-01679-001-M7104-Encoder/dp/B07Y6VKFDP/ref=pd_sbs_1/145-1368511-6281309?pd_rd_w=zrfXb&%E2%80%A6)> (Year: 2020).\*

Axis P7304 Video Encoder, date not available, [retrieved Jun. 17, 2021], Retrieved from Internet, URL: <<https://www.cdw.com/product/axis-p7304-video-encoder-video-server-4-channels/5809026>> (Year: 2021).\*

Axis M7011 Video Encoder—Big performance in a small design, Datasheet, Axis Communications, 2 pages.

Axis M7014 Video Encoder—Cost-effective video encoder with H.264, Datasheet, Axis Communications, 2 pages.

\* cited by examiner

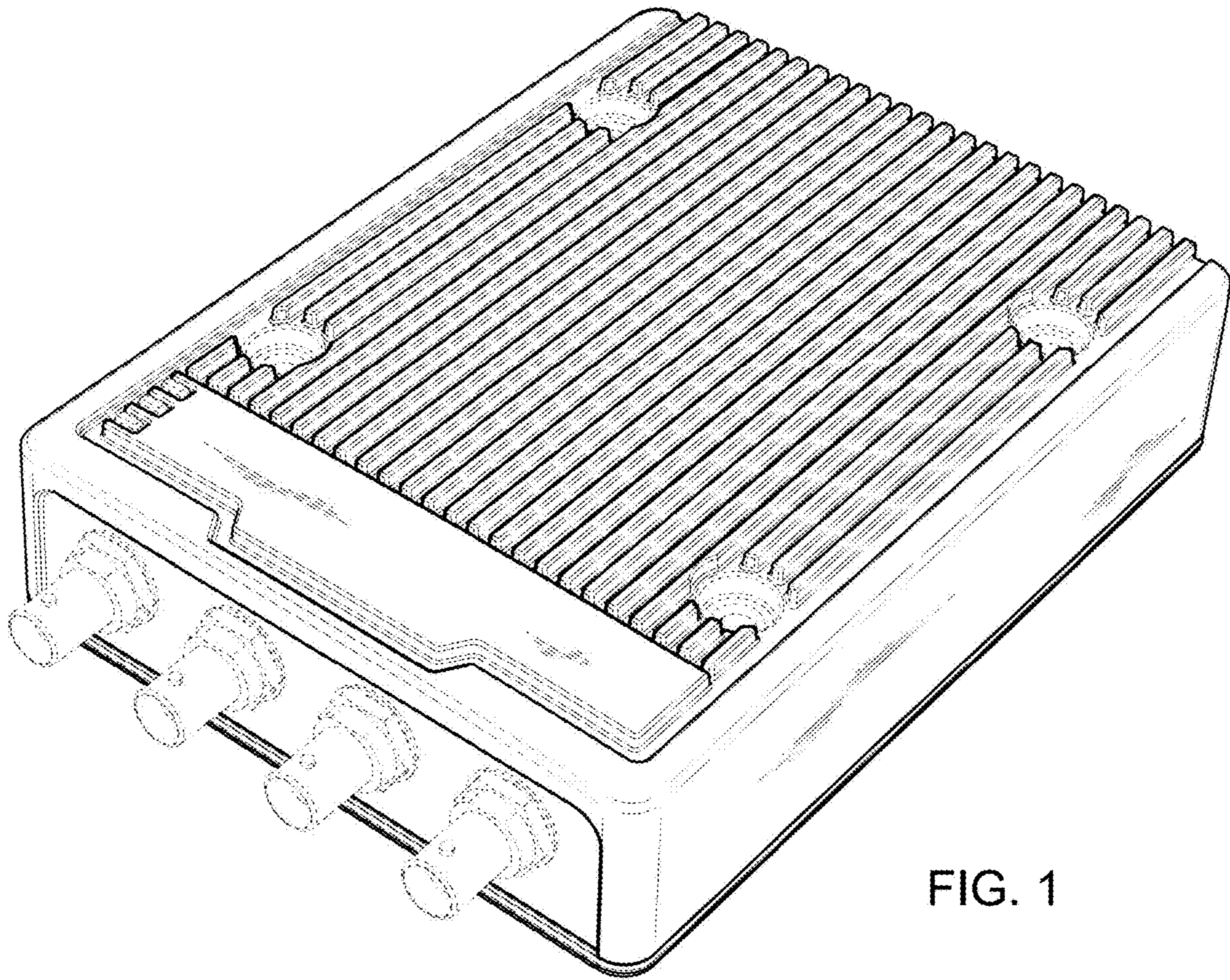


FIG. 1

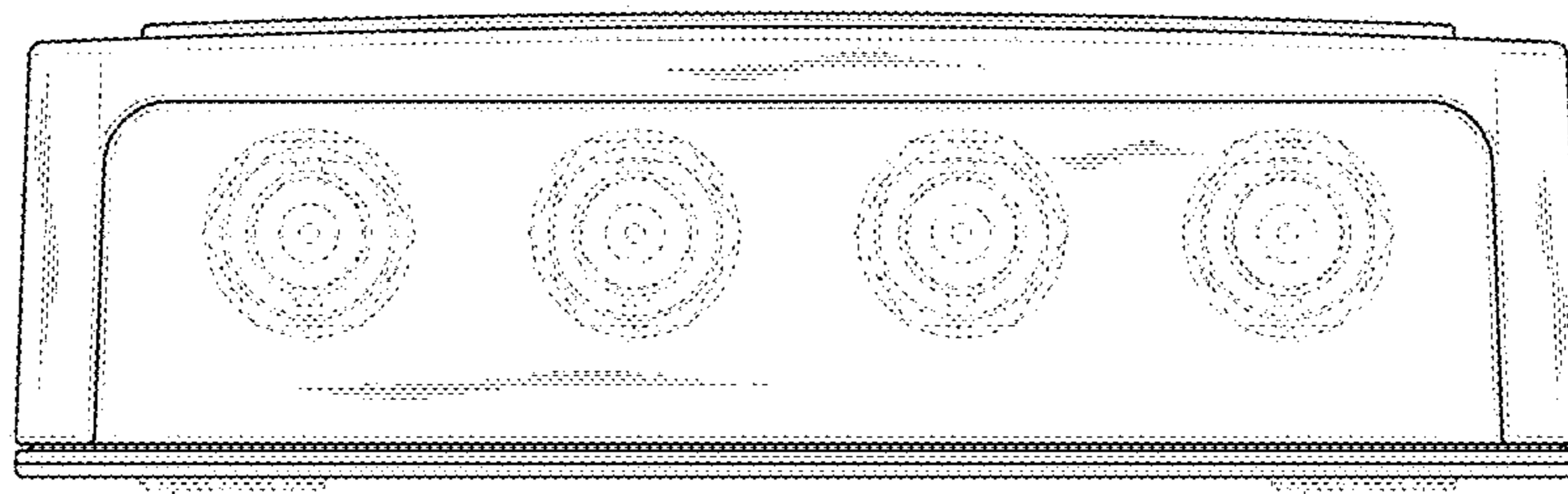


FIG. 2

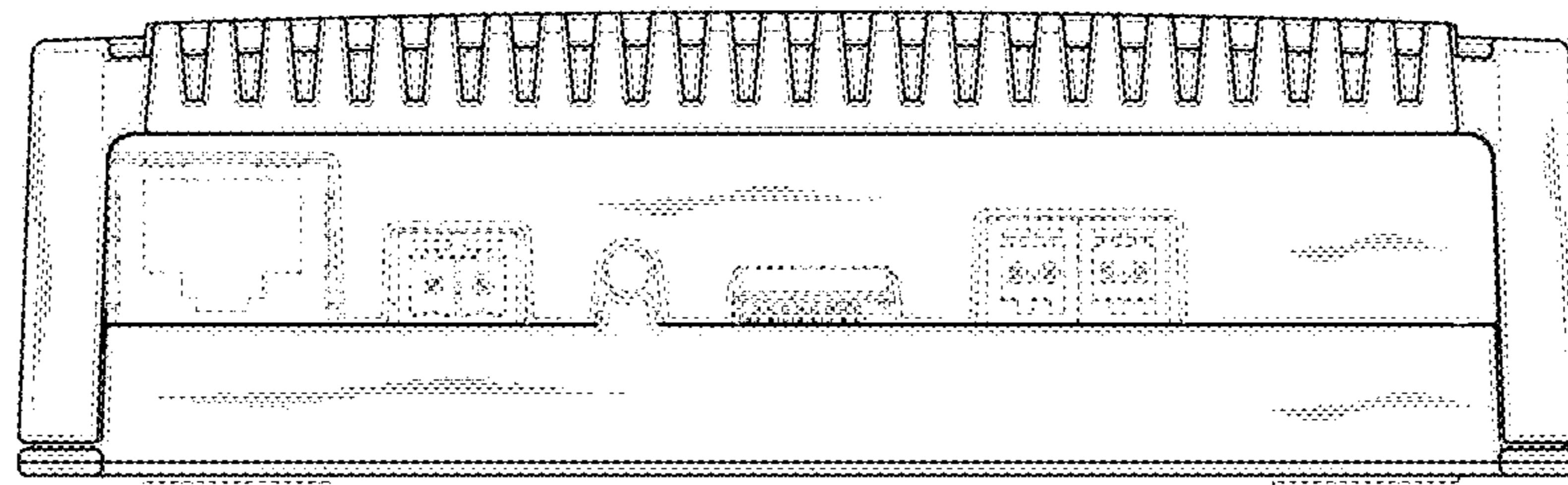


FIG. 3



FIG. 4



FIG. 5

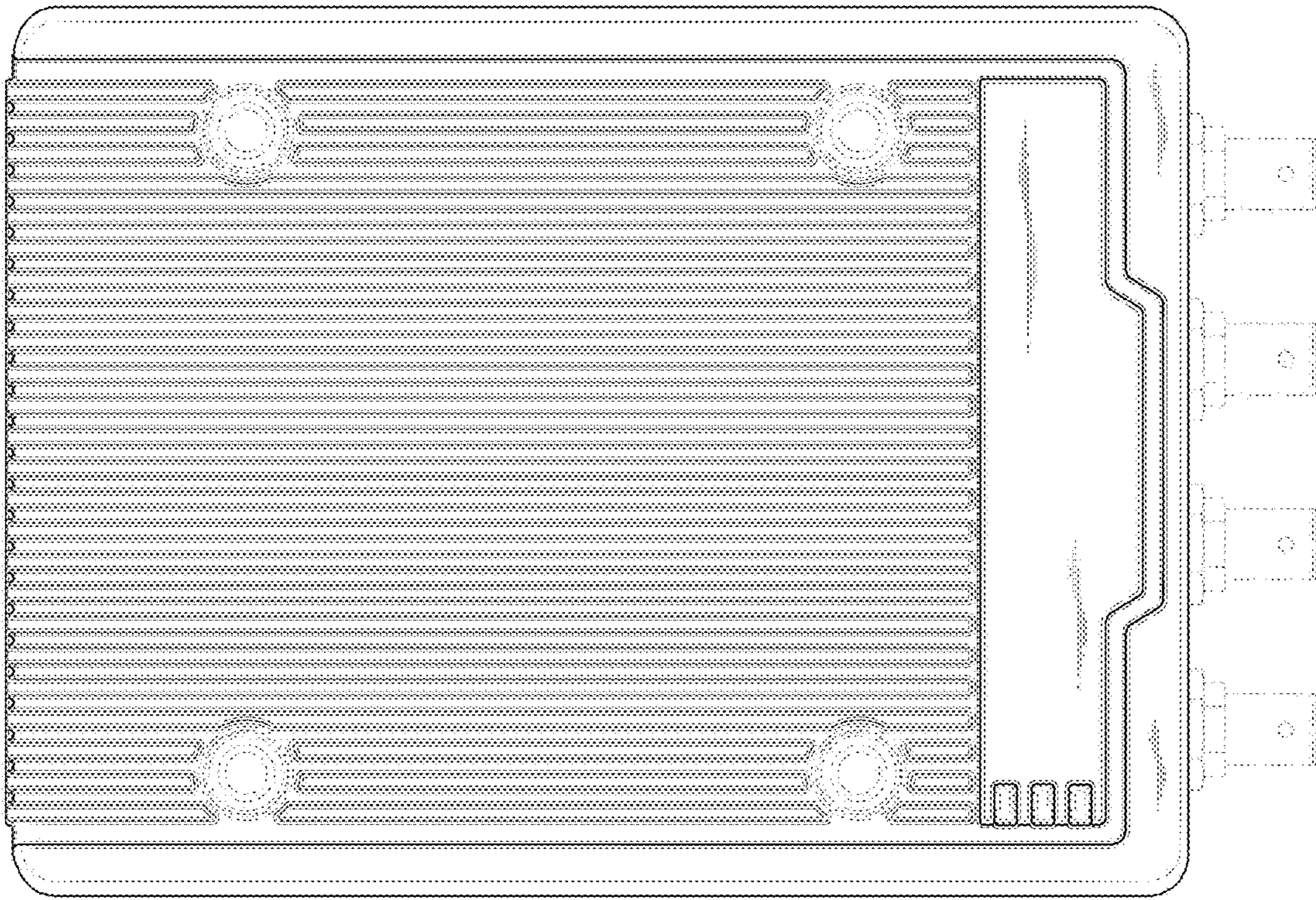


FIG. 6

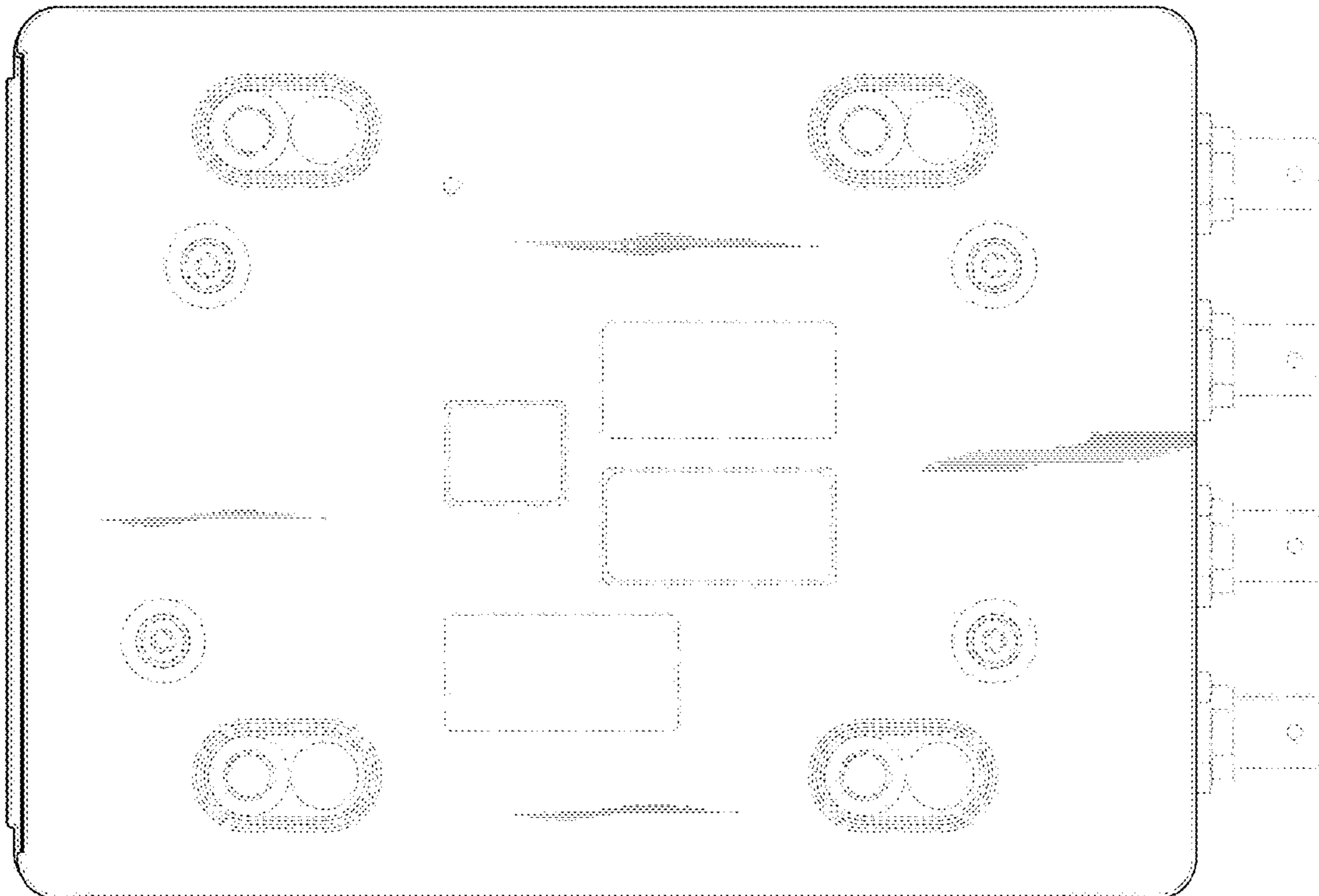


FIG. 7