



US00D931237S

(12) **United States Design Patent**
Elliott et al.

(10) **Patent No.:** **US D931,237 S**

(45) **Date of Patent:** **** Sep. 21, 2021**

(54) **REMOTE CONTROLLER**

(71) Applicant: **Forcome Co. Ltd.**, Shanghai (CN)

(72) Inventors: **Ronald L. Elliott**, Oregon City, OR (US); **James T. Clift**, Portland, OR (US); **Weiguang Li**, Shanghai (CN)

(73) Assignee: **Forcome Co. Ltd.**, Shanghai (CN)

(**) Term: **15 Years**

(21) Appl. No.: **29/732,339**

(22) Filed: **Apr. 23, 2020**

(51) **LOC (13) Cl.** **14-03**

(52) **U.S. Cl.**
USPC **D13/168**

(58) **Field of Classification Search**
USPC D13/168; D14/218, 429; D34/33
(Continued)

(56) **References Cited**

U.S. PATENT DOCUMENTS

D394,855 S * 6/1998 Ahearn D14/429
7,902,990 B2 * 3/2011 Delmonico H04N 5/232411
340/636.1

(Continued)

OTHER PUBLICATIONS

Summit Racing SSUM-931200-19 Summit Racing® Replacement Winch Controllers; retrieved on May 5, 2021; https://www.summitracing.com/parts/sum-931200-19?seid=srese1&gclid=EAlalQobChMloLWu5qOz8AIVE5ezChImfwaBEAkYCiABEgKIYPD_BwE.*

Primary Examiner — Selina Sikder

(74) *Attorney, Agent, or Firm* — McCoy Russell LLP

(57) **CLAIM**

The ornamental design for a remote controller, as shown and described.

DESCRIPTION

FIG. 1 is a front-left perspective view of a remote controller according to a first embodiment of the claimed design.

FIG. 2 is a front-right perspective view of the remote controller of FIG. 1.

FIG. 3 is a rear-left perspective view of the remote controller of FIG. 1.

FIG. 4 is a rear-right perspective view of the remote controller of FIG. 1.

FIG. 5 is a right side view of the remote controller of FIG. 1.

FIG. 6 is a left side view of the remote controller of FIG. 1.

FIG. 7 is a front view of the remote controller of FIG. 1.

FIG. 8 is a rear view of the remote controller of FIG. 1.

FIG. 9 is a top view of the remote controller of FIG. 1.

FIG. 10 is a bottom view of the remote controller of FIG. 1.

FIG. 11 is a front-left perspective view of a remote controller according to a second embodiment of the claimed design.

FIG. 12 is a front-right perspective view of the remote controller of FIG. 11.

FIG. 13 is a rear-left perspective view of the remote controller of FIG. 11.

FIG. 14 is a rear-right perspective view of the remote controller of FIG. 11.

FIG. 15 is a right side view of the remote controller of FIG. 11.

FIG. 16 is a left side view of the remote controller of FIG. 11.

FIG. 17 is a front view of the remote controller of FIG. 11.

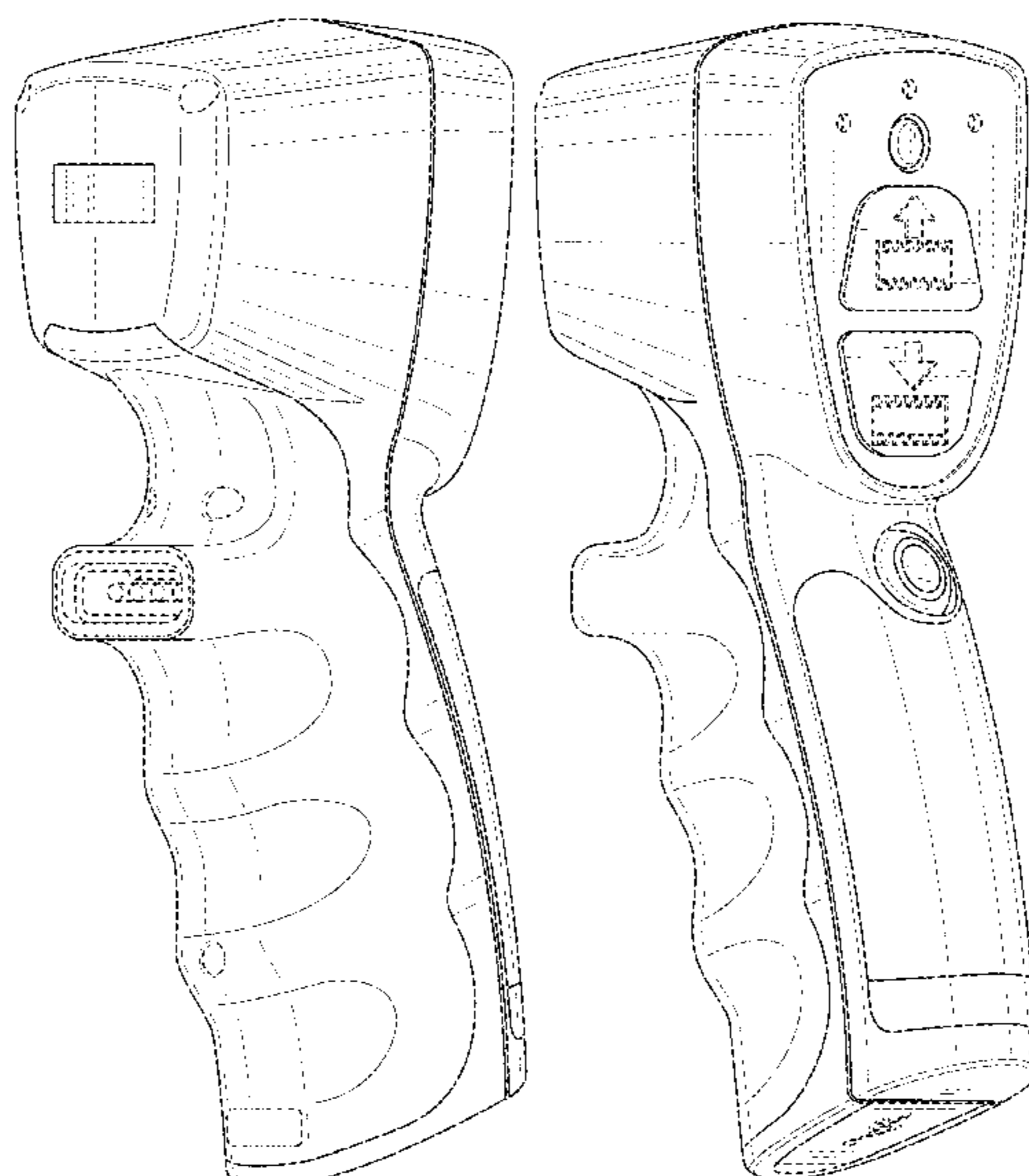
FIG. 18 is a rear view of the remote controller of FIG. 11.

FIG. 19 is a top view of the remote controller of FIG. 11; and,

FIG. 20 is a bottom view of the remote controller of FIG. 11.

The broken lines in FIGS. 1-20 of the drawings illustrate portions of the remote controller that form no part of the claimed design.

1 Claim, 20 Drawing Sheets



(58) **Field of Classification Search**

CPC ... B66D 1/40; B66D 1/42; B66D 1/46; B66D
3/20; G08C 17/00; G08C 17/02

See application file for complete search history.

(56) **References Cited**

U.S. PATENT DOCUMENTS

D640,442	S *	6/2011	Borntrager	D34/33
D713,803	S *	9/2014	Bouyer	D13/168
D714,167	S *	9/2014	Hyllbrant	D10/46
D766,843	S *	9/2016	Fretz	D13/168
D784,934	S *	4/2017	Fretz	D13/168
D872,036	S *	1/2020	Wilcox	D13/168
D880,431	S *	4/2020	Fretz	D13/168
D904,318	S *	12/2020	Ryder	D13/168
2014/0257631	A1 *	9/2014	Heravi	G08C 17/02 701/36
2016/0046468	A1 *	2/2016	Heravi	B66D 1/54 715/835
2018/0148306	A1 *	5/2018	Zheng	B66D 1/00
2018/0170725	A1 *	6/2018	August	B66D 3/006
2018/0293881	A1 *	10/2018	Leason	G01D 5/145
2019/0233262	A1 *	8/2019	Huang	B66D 1/12
2020/0131010	A1 *	4/2020	Kukula	B66D 1/46

* cited by examiner

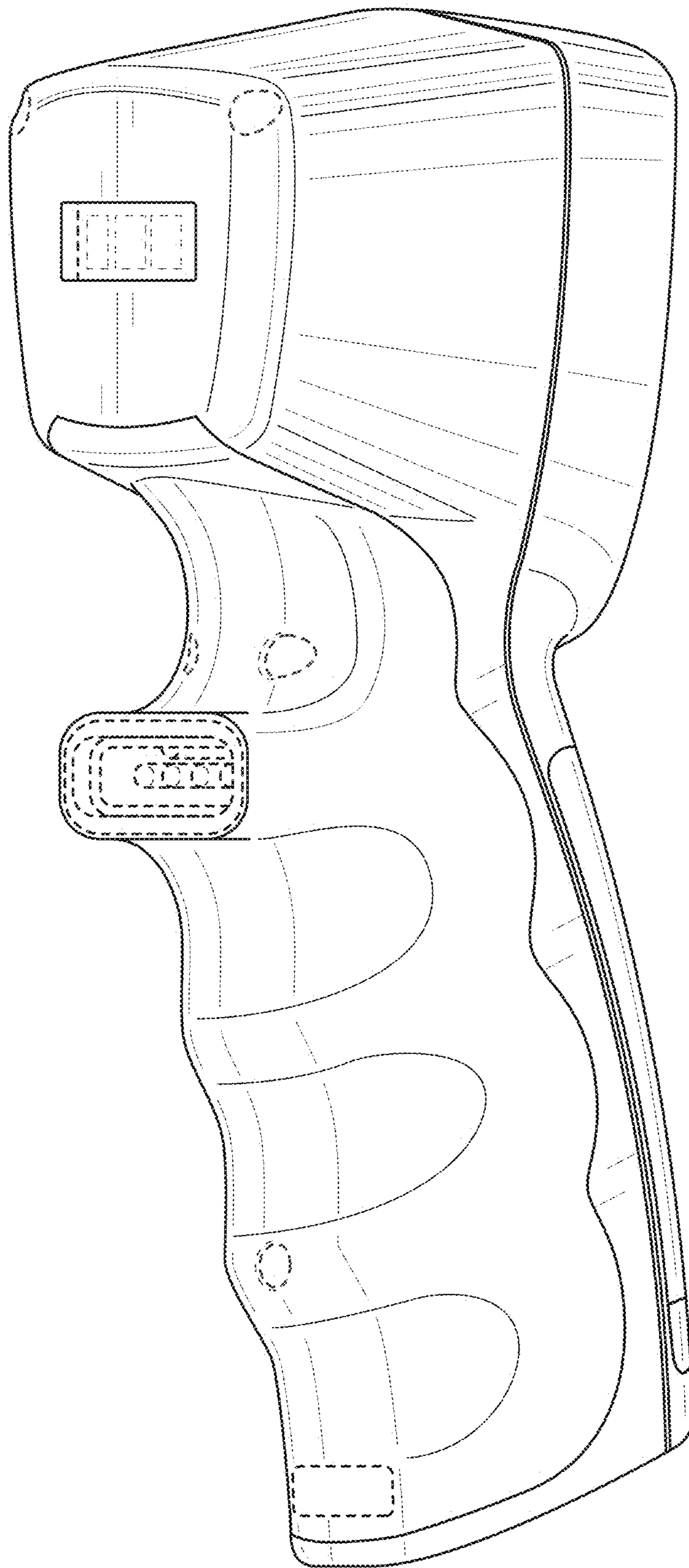


FIG. 1

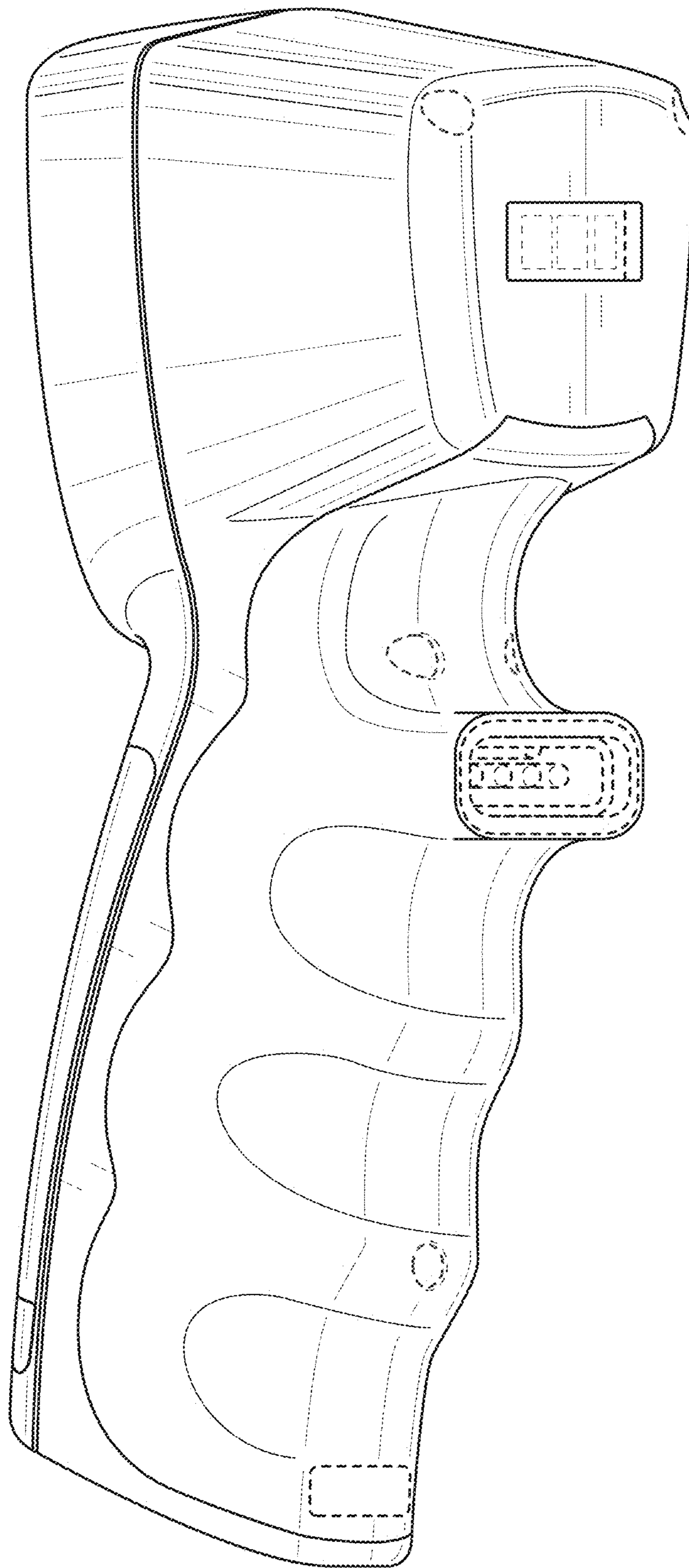


FIG. 2

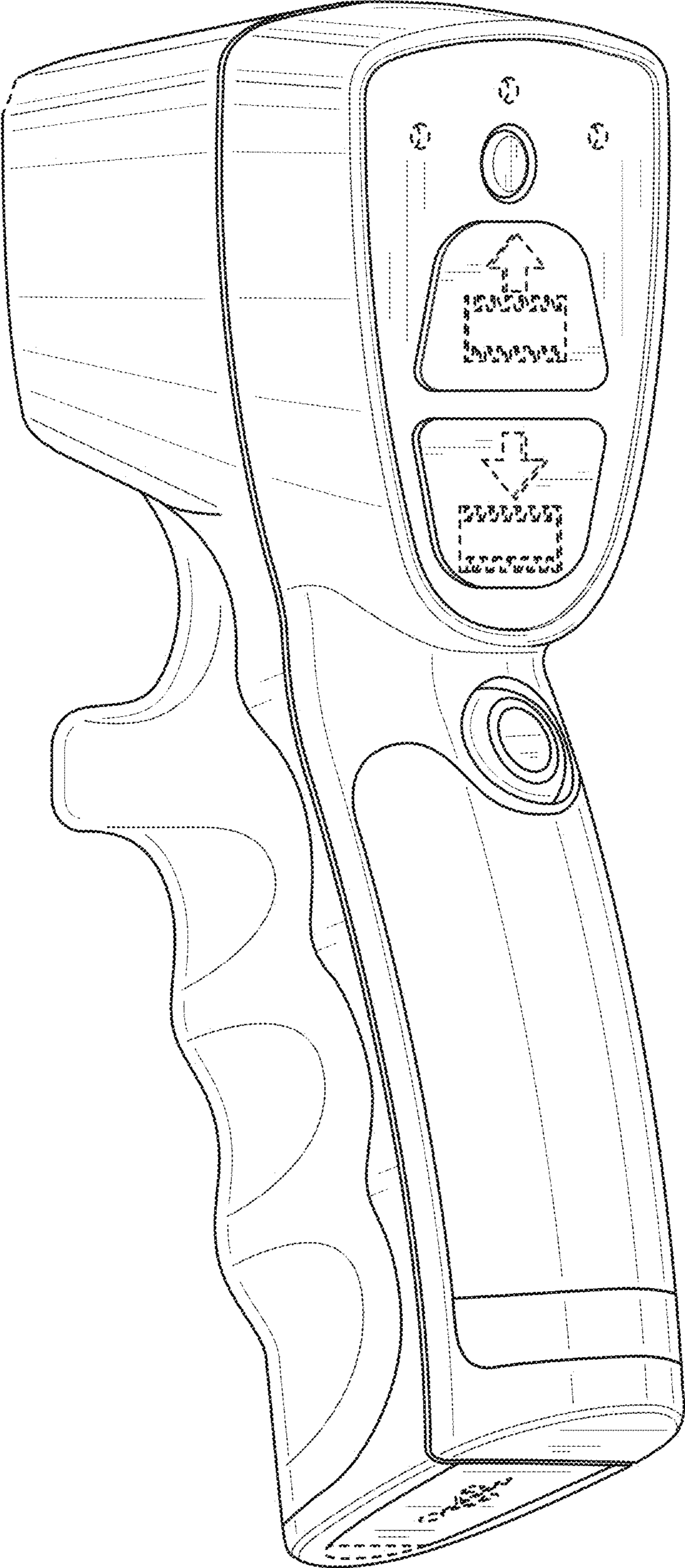


FIG. 3

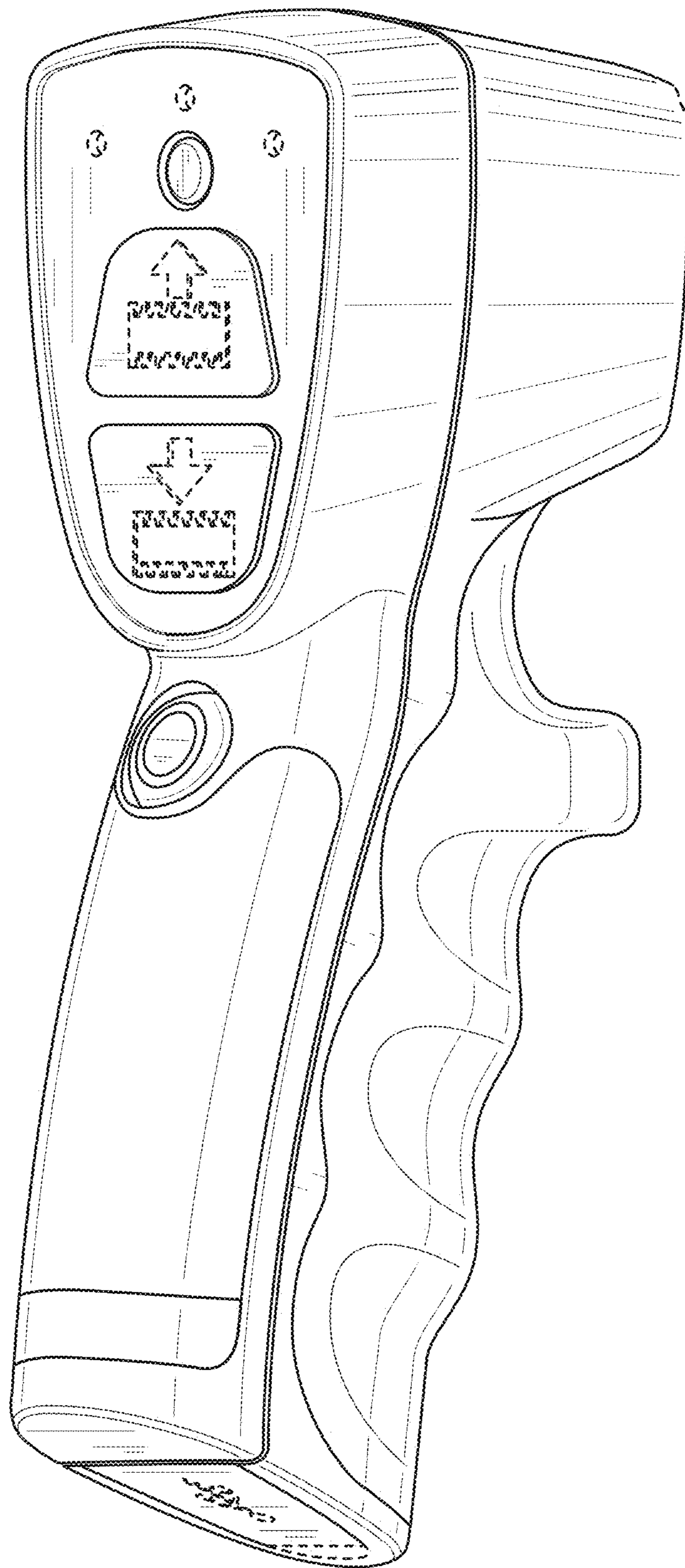


FIG. 4

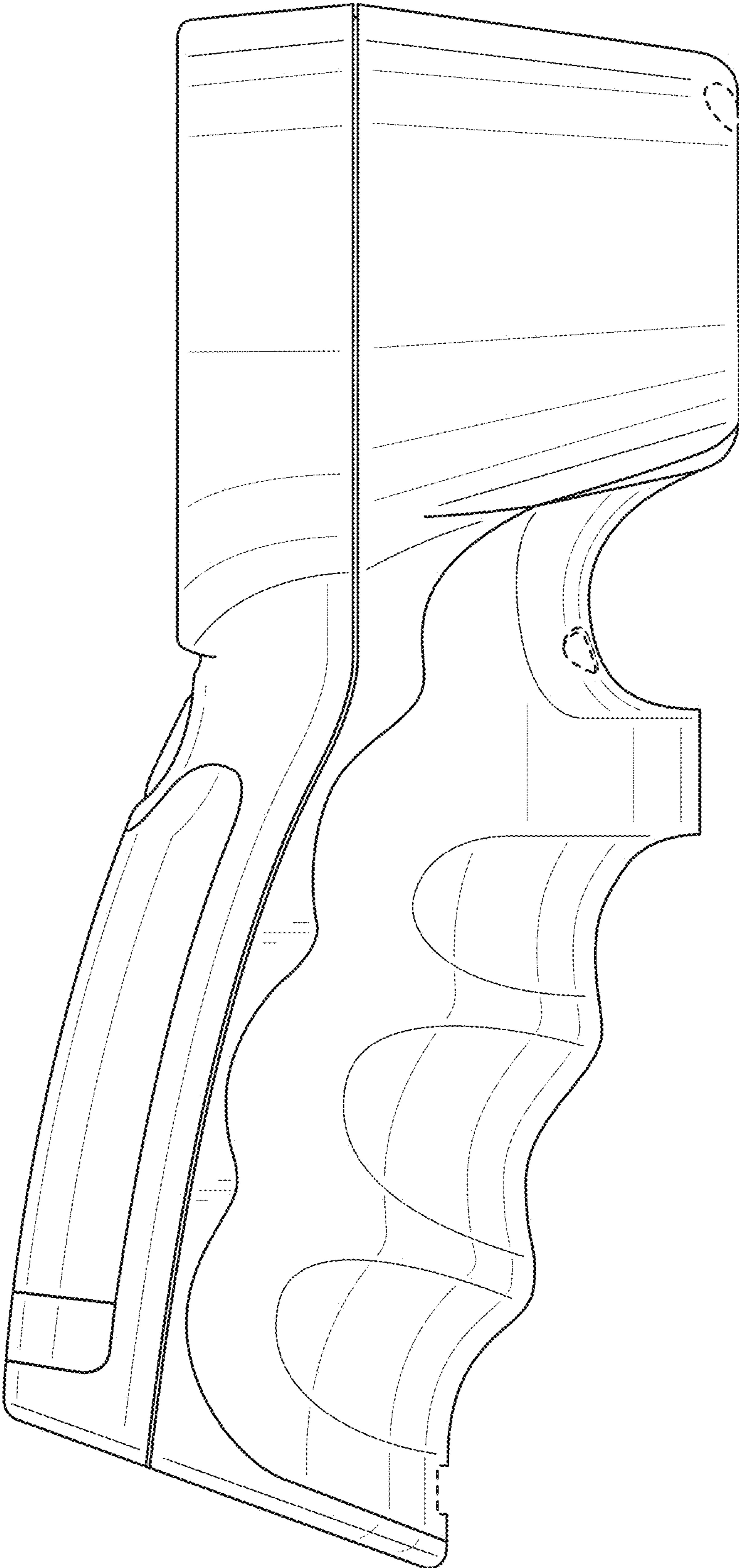


FIG. 5

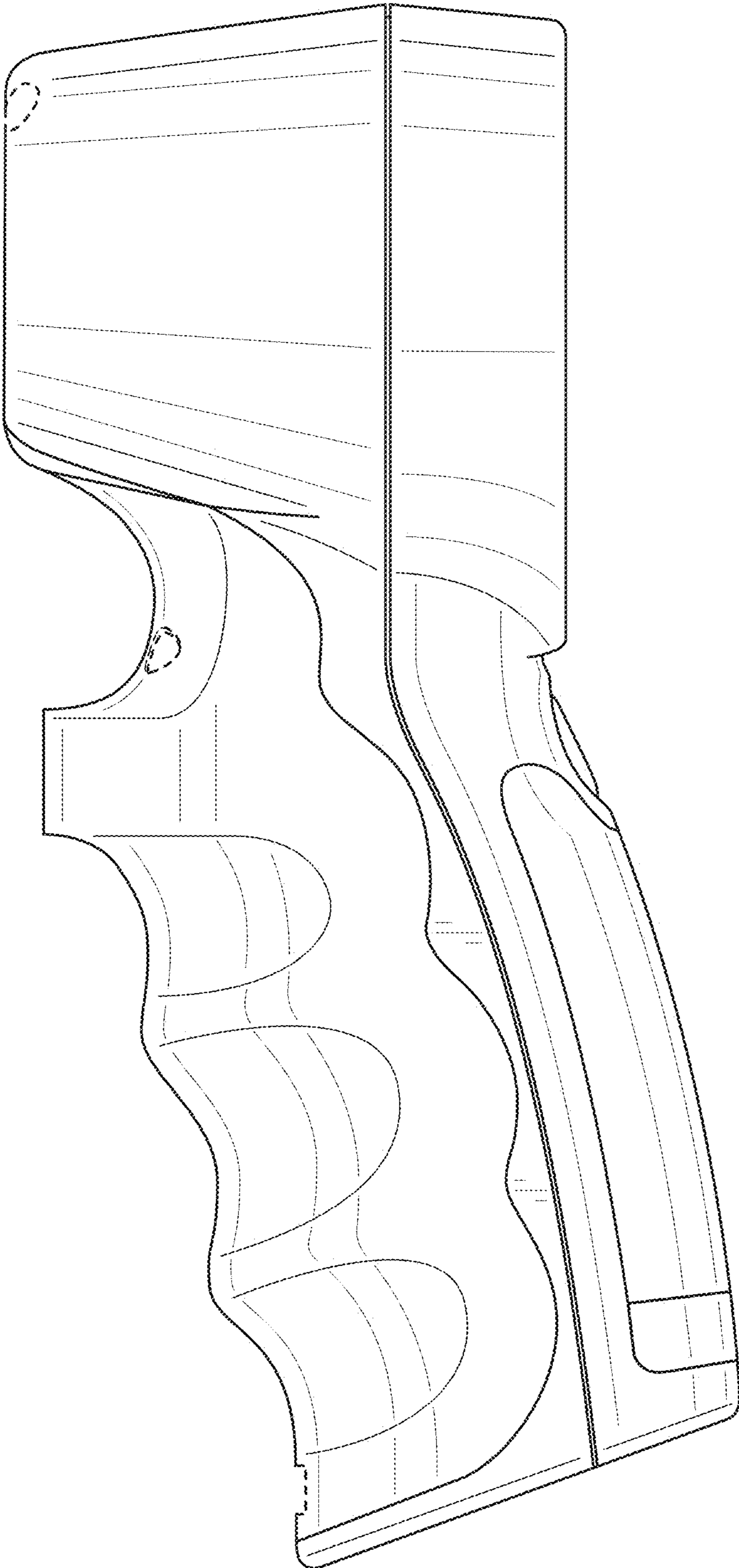


FIG. 6

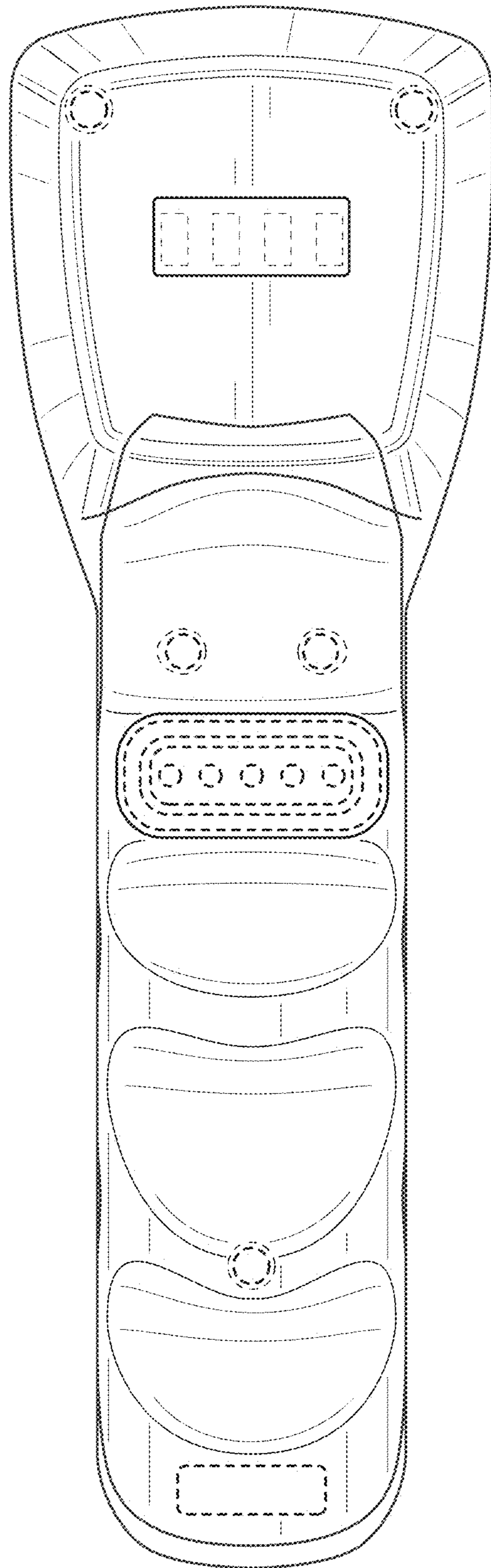


FIG. 7

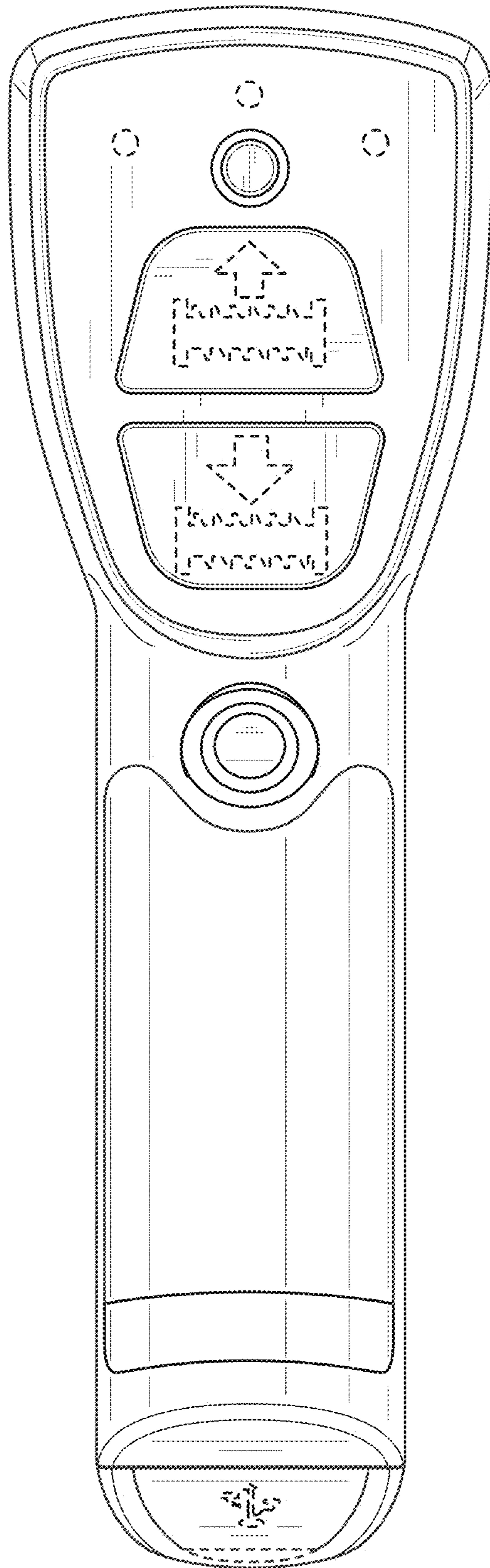


FIG. 8

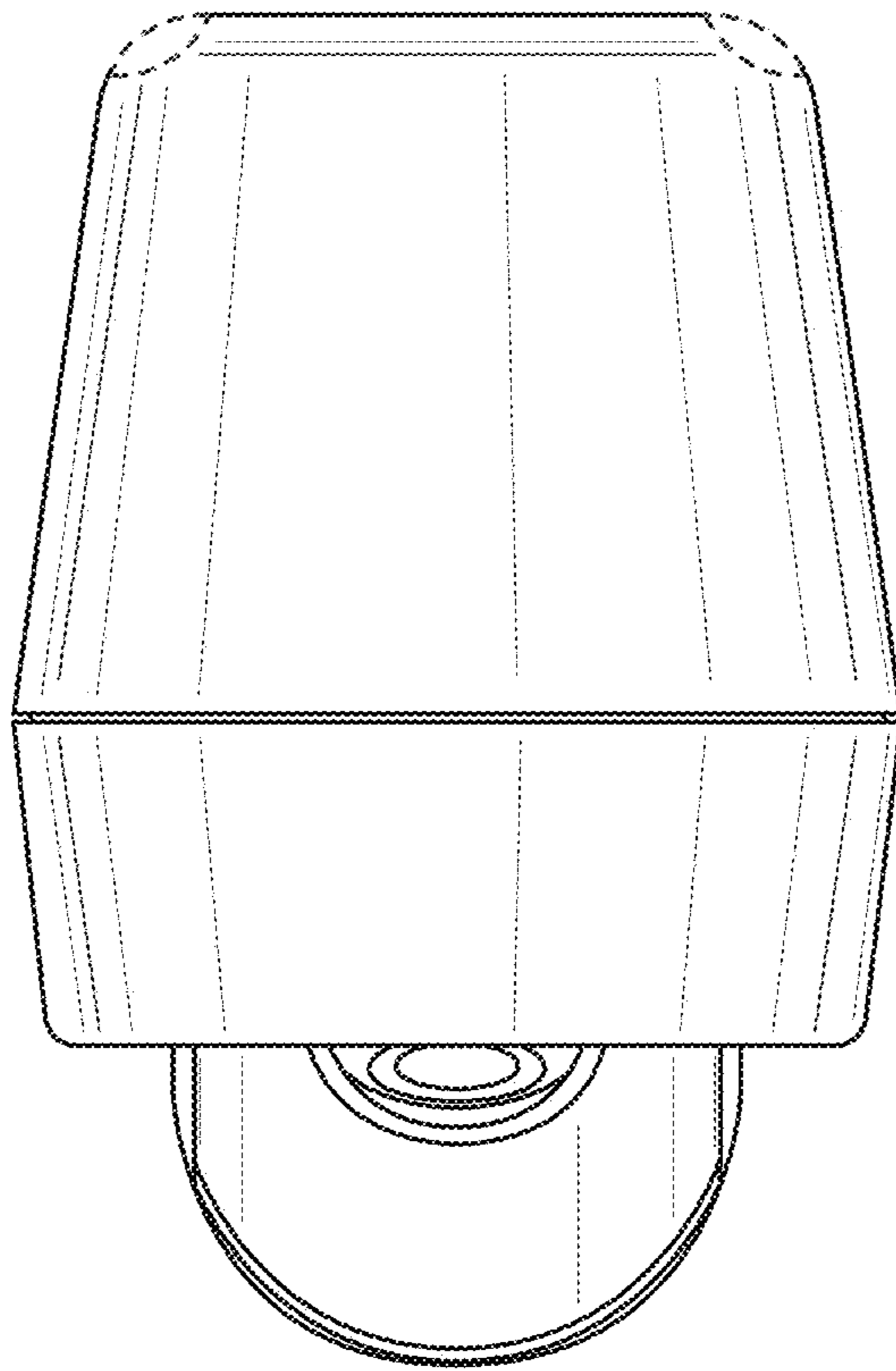


FIG. 9

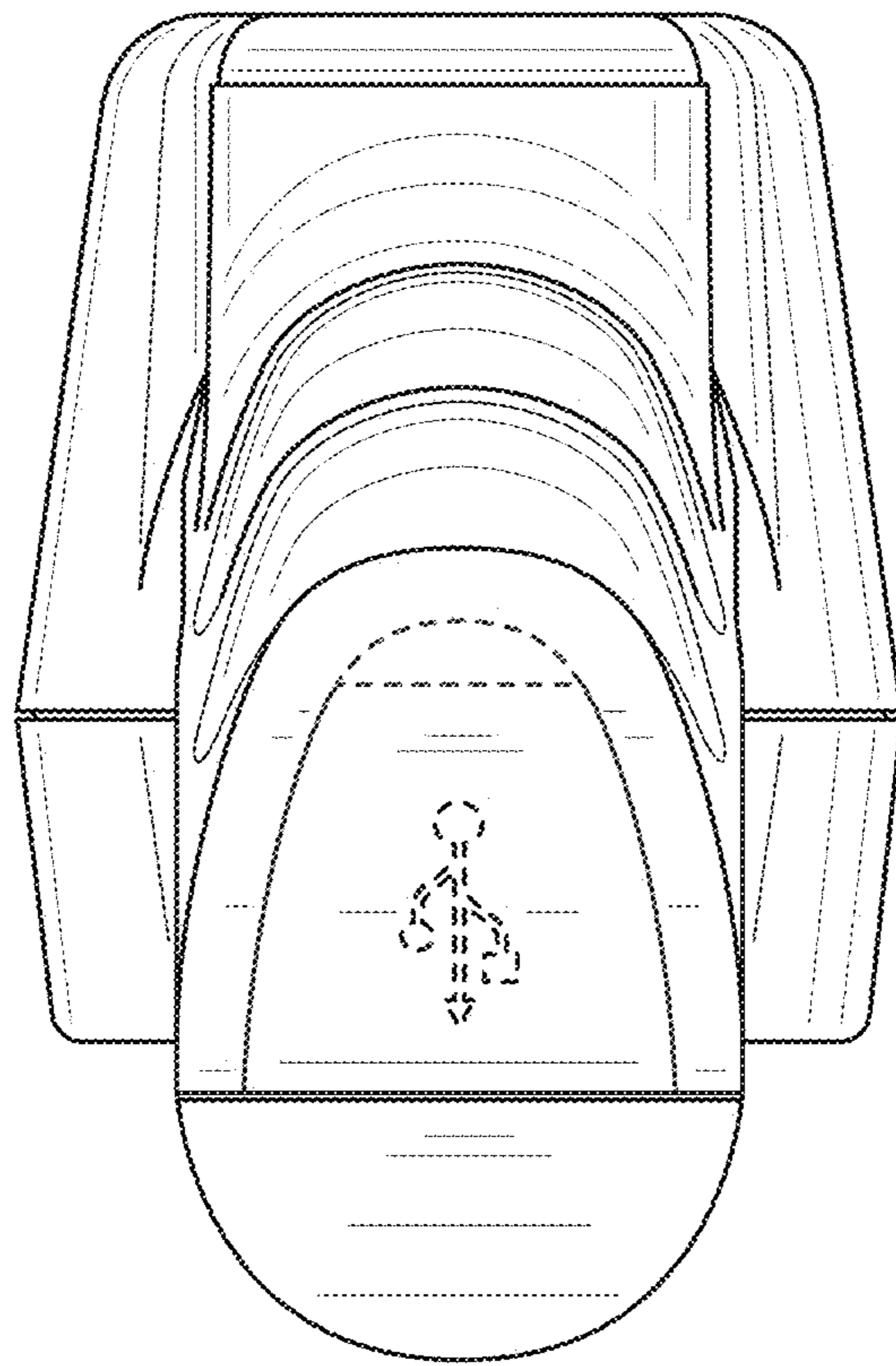


FIG. 10

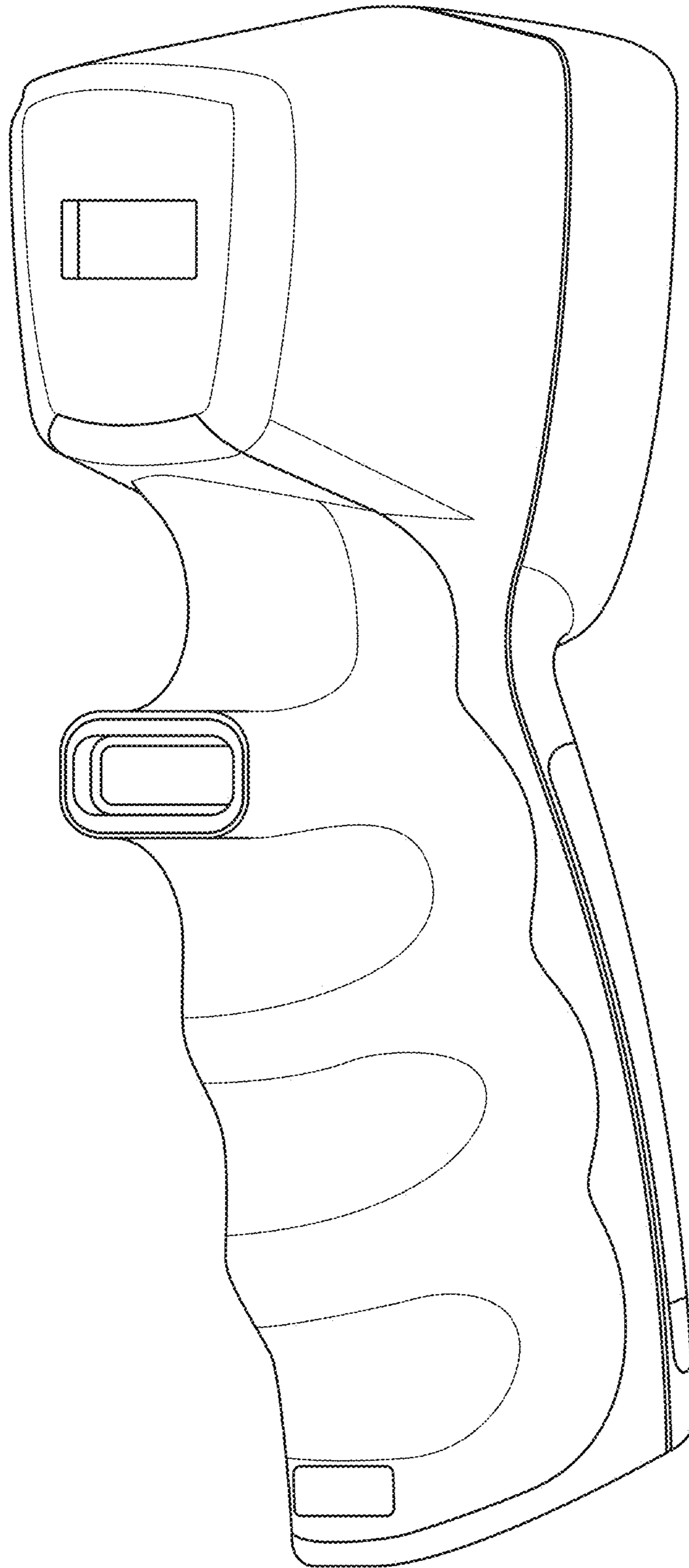


FIG. 11

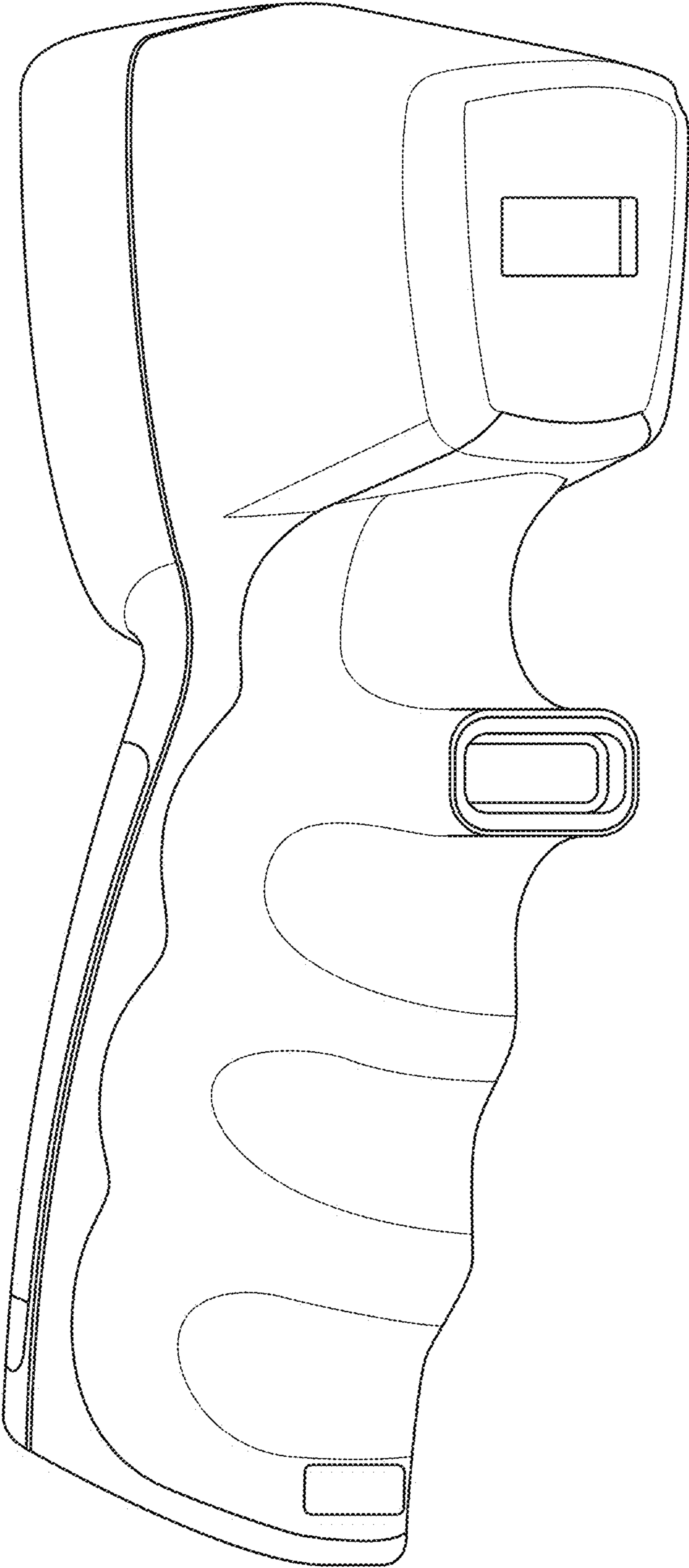


FIG. 12

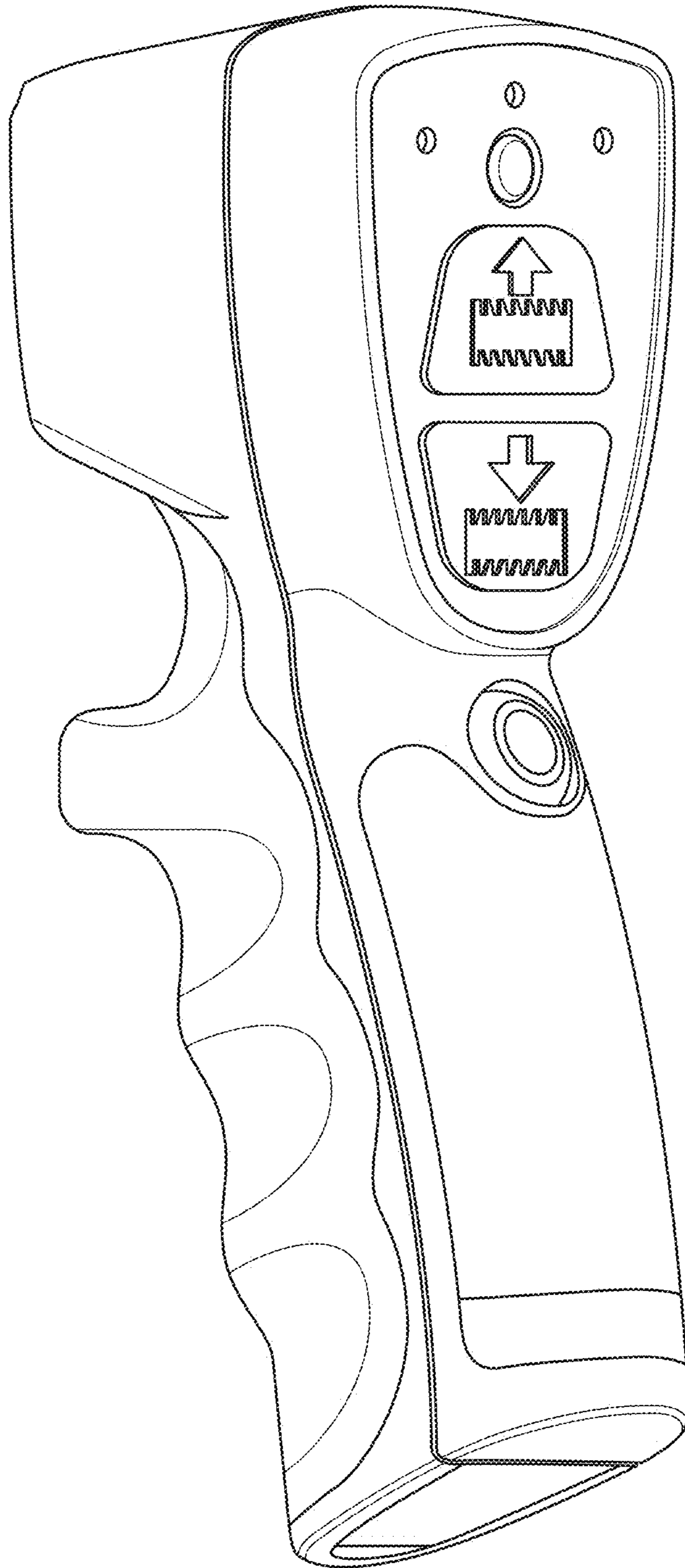


FIG. 13

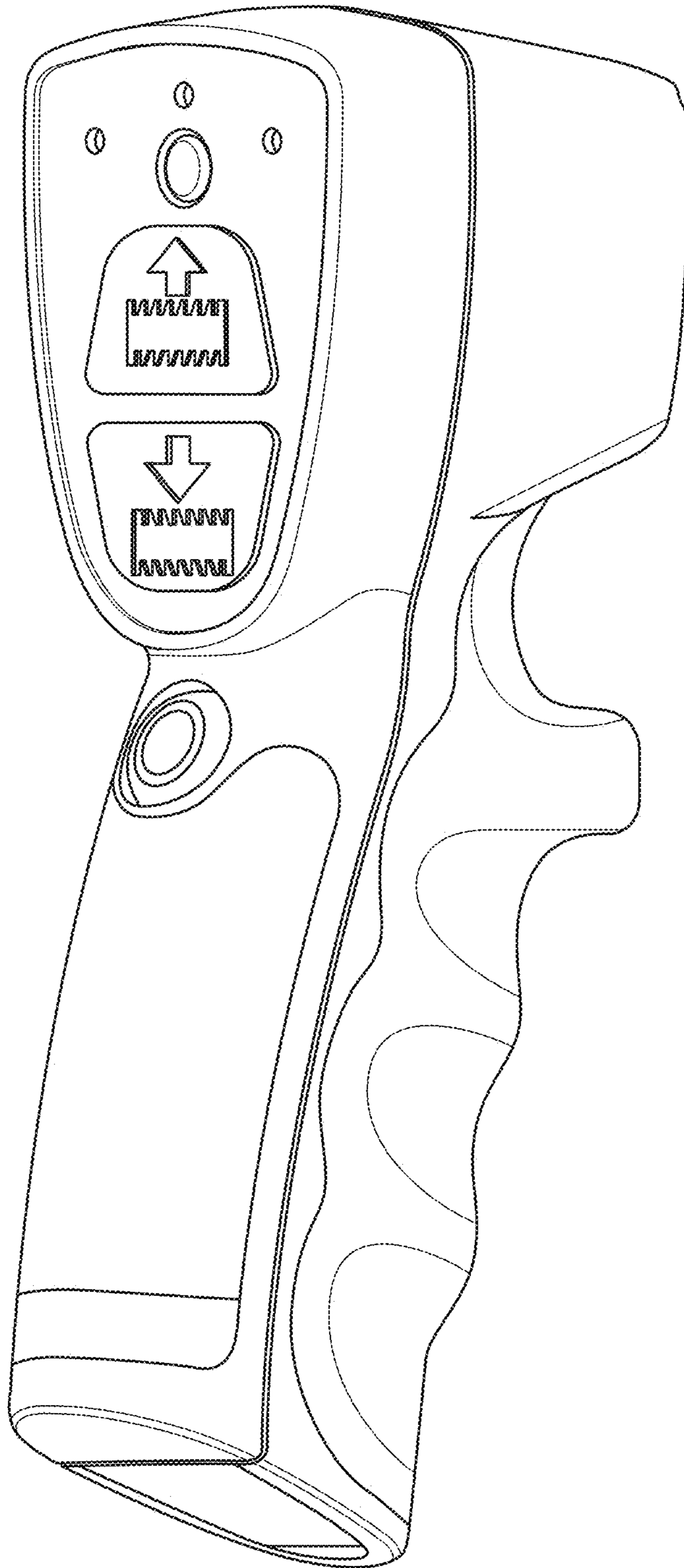


FIG. 14

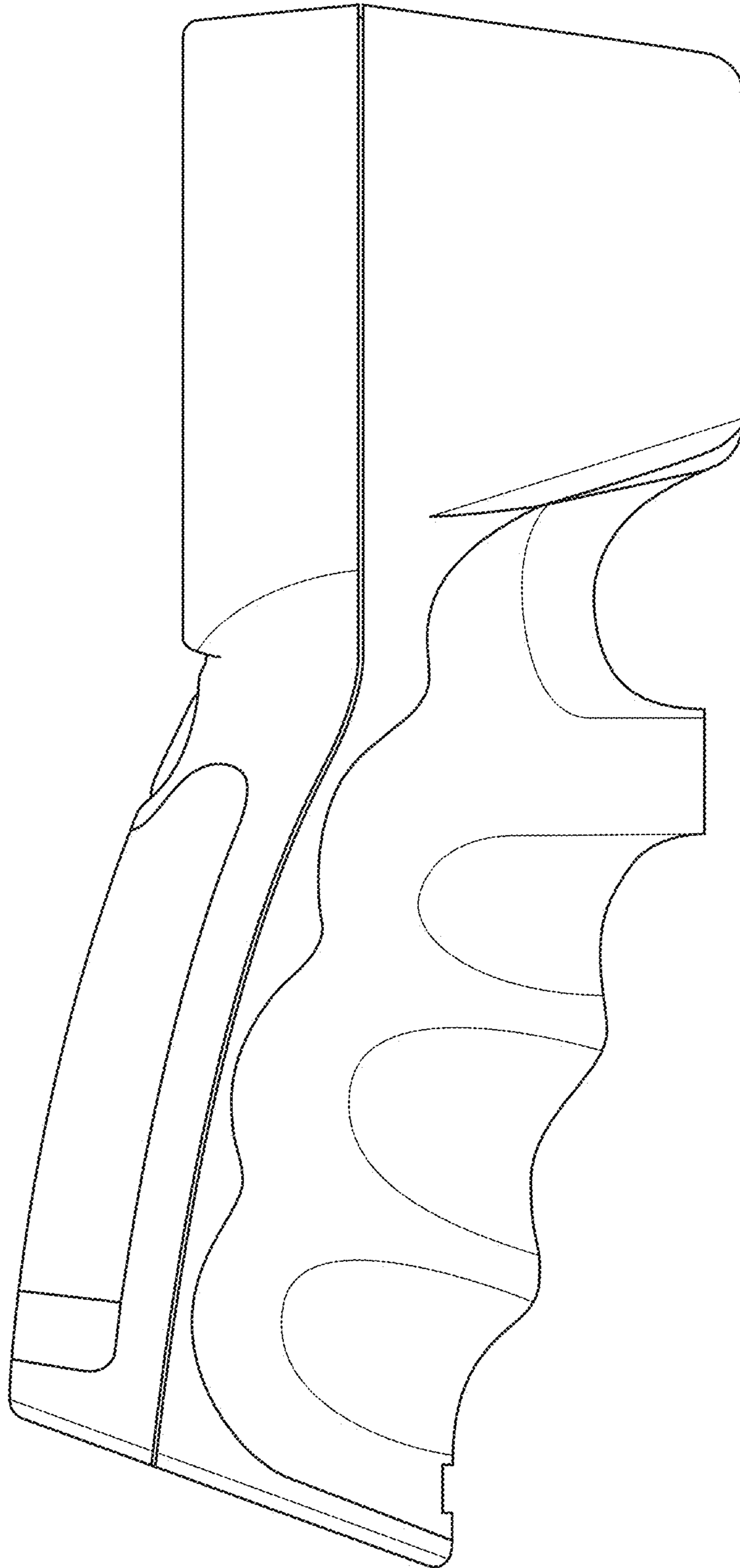


FIG. 15

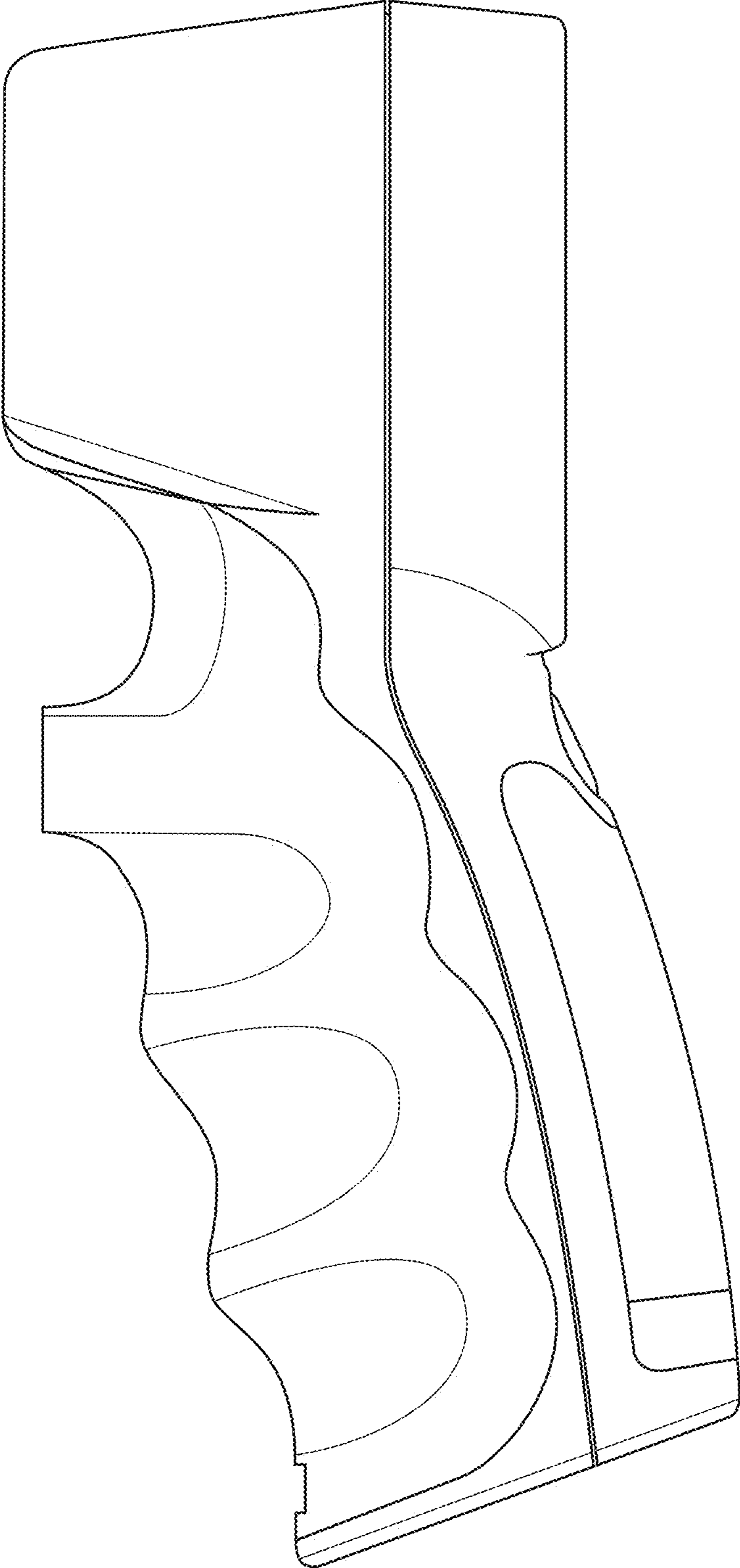


FIG. 16

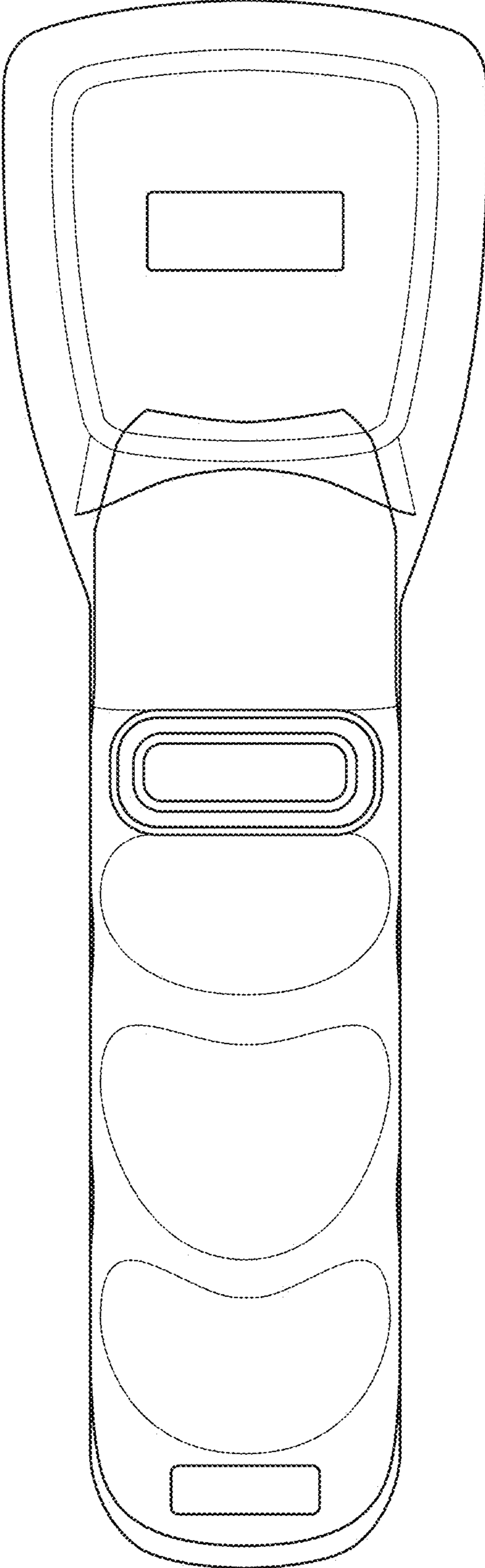


FIG.17

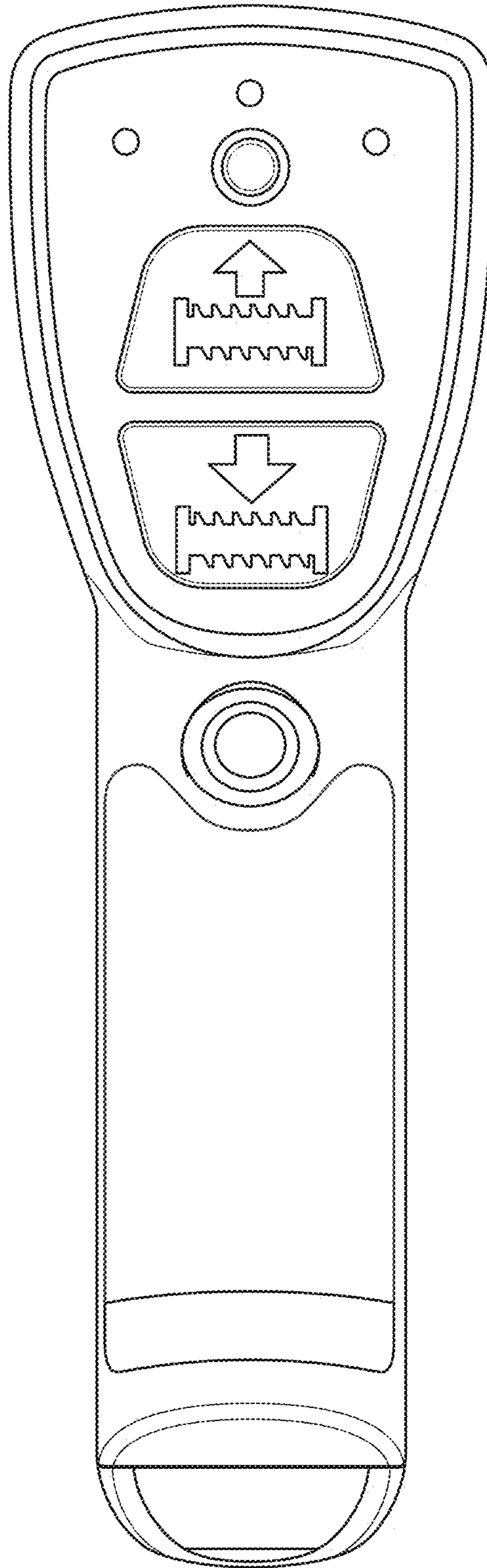


FIG. 18

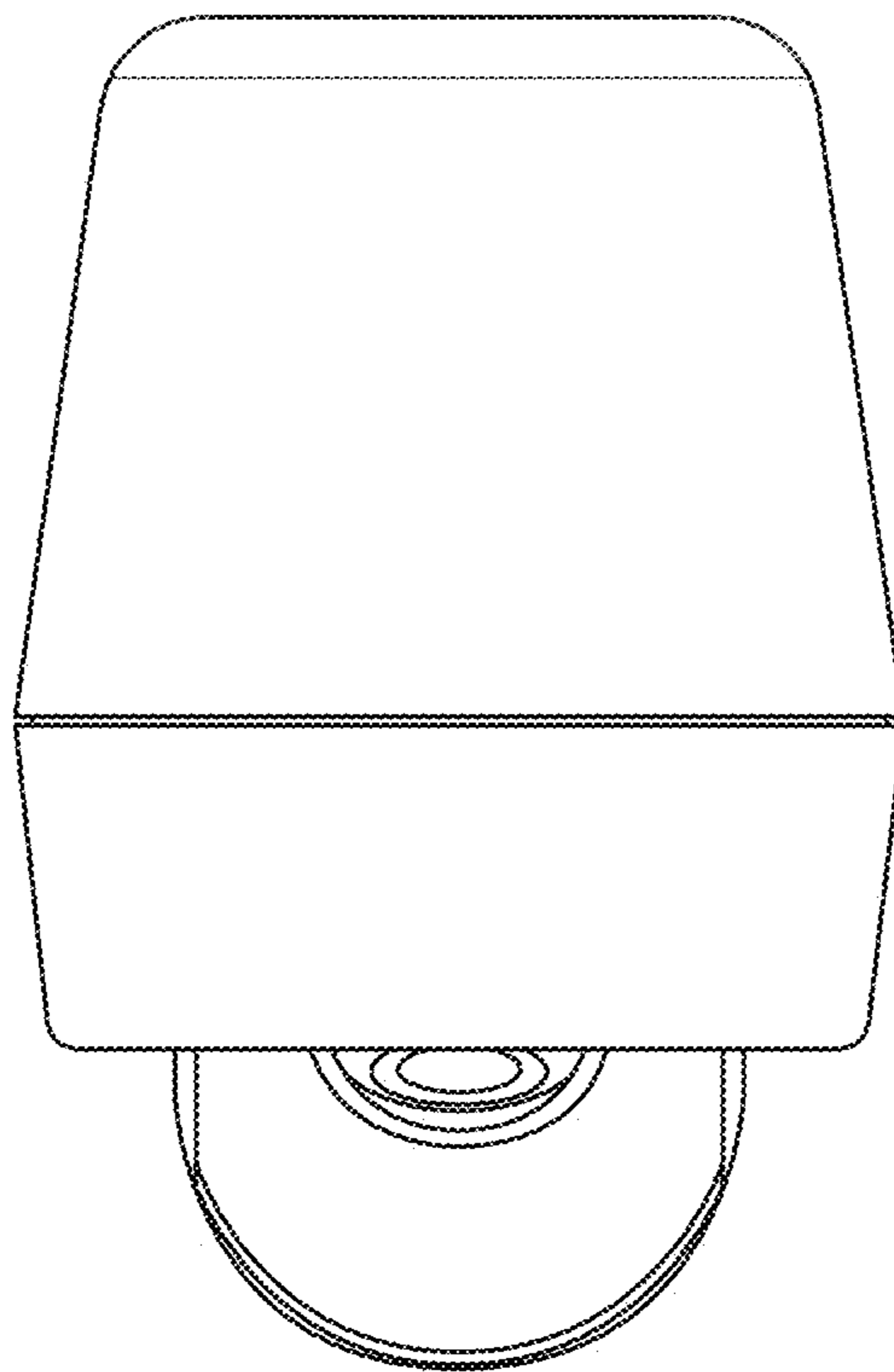


FIG. 19

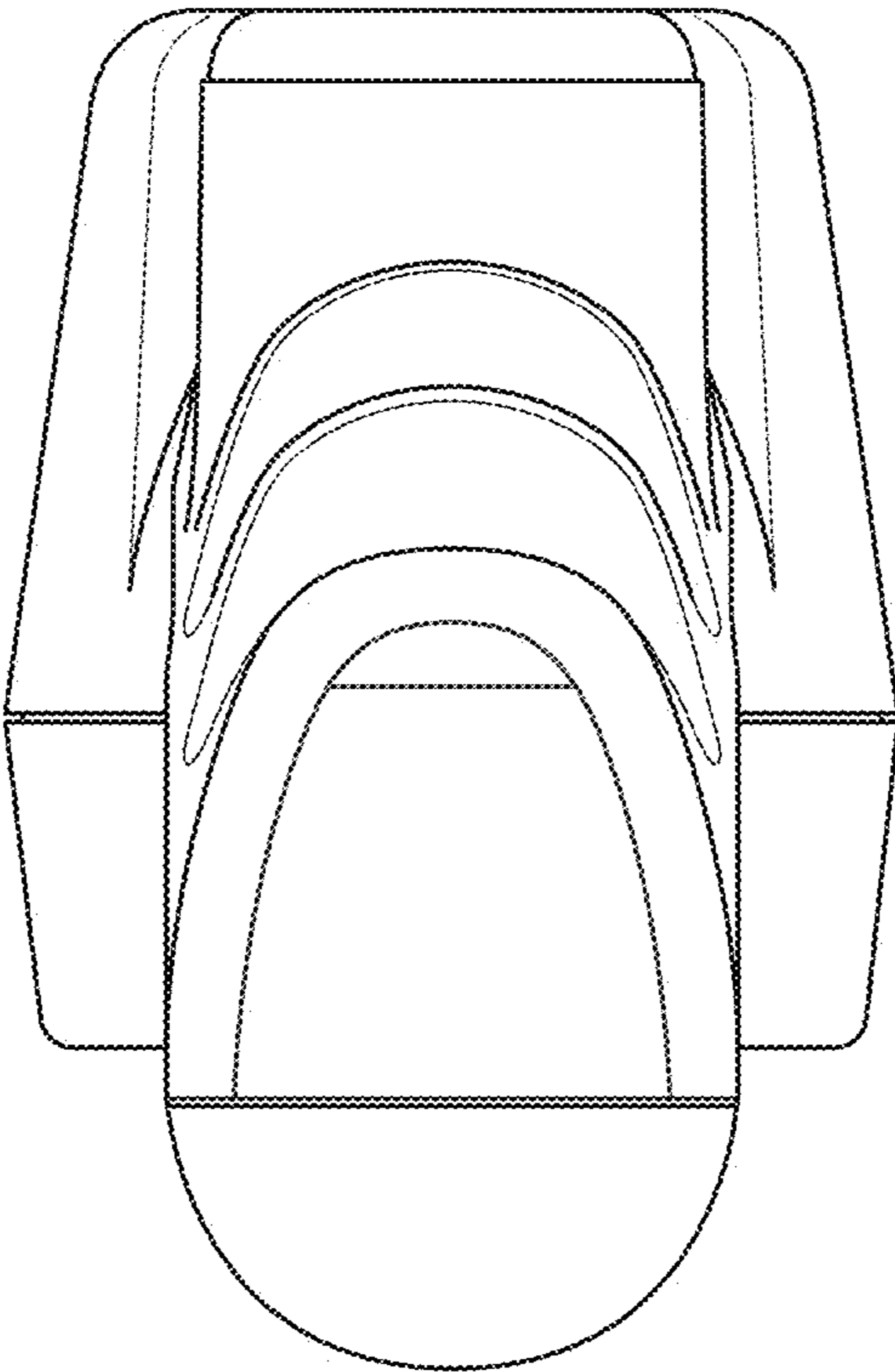


FIG.20