



US00D931236S

(12) **United States Design Patent**
Turk et al.

(10) **Patent No.:** **US D931,236 S**
(45) **Date of Patent:** **** Sep. 21, 2021**

(54) **USER INTERFACE FOR A WIRE FEEDER**

(71) Applicant: **Lincoln Global, Inc.**, Santa Fe Springs,
CA (US)

(72) Inventors: **Brian M. Turk**, Sagamore Hills, OH
(US); **Joseph R. Brusky**, Willowick,
OH (US); **Alexander C. Mehlman**,
Strongsville, OH (US)

(73) Assignee: **LINCOLN GLOBAL, INC.**, Santa Fe
Springs, CA (US)

(**) Term: **15 Years**

(21) Appl. No.: **29/710,901**

(22) Filed: **Oct. 28, 2019**

(51) **LOC (13) Cl.** **13-03**

(52) **U.S. Cl.**
USPC **D13/162**

(58) **Field of Classification Search**
USPC D13/162, 164, 184, 199; D14/371, 381,
D14/382, 388, 389; D24/170
CPC B23K 9/10; B23K 9/124; B23K 9/1087;
B23K 9/0953; G06F 3/048; G06F 3/02
See application file for complete search history.

(56) **References Cited**

U.S. PATENT DOCUMENTS

D576,159 S * 9/2008 Price D14/258
D704,839 S * 5/2014 Juzkiw D24/170
D727,986 S * 4/2015 Matiash D15/144
D738,831 S * 9/2015 Suthmann D13/163

D820,332 S * 6/2018 Brusky D15/144
D829,790 S * 10/2018 Gou D15/144
D849,568 S * 5/2019 Klein D10/49
D868,125 S * 11/2019 Shu D15/144
D886,070 S * 6/2020 Giovanni D13/162

* cited by examiner

Primary Examiner — Rosemary K Tarcza

Assistant Examiner — Seth David Kumpf

(74) *Attorney, Agent, or Firm* — Brad C. Spencer

(57) **CLAIM**

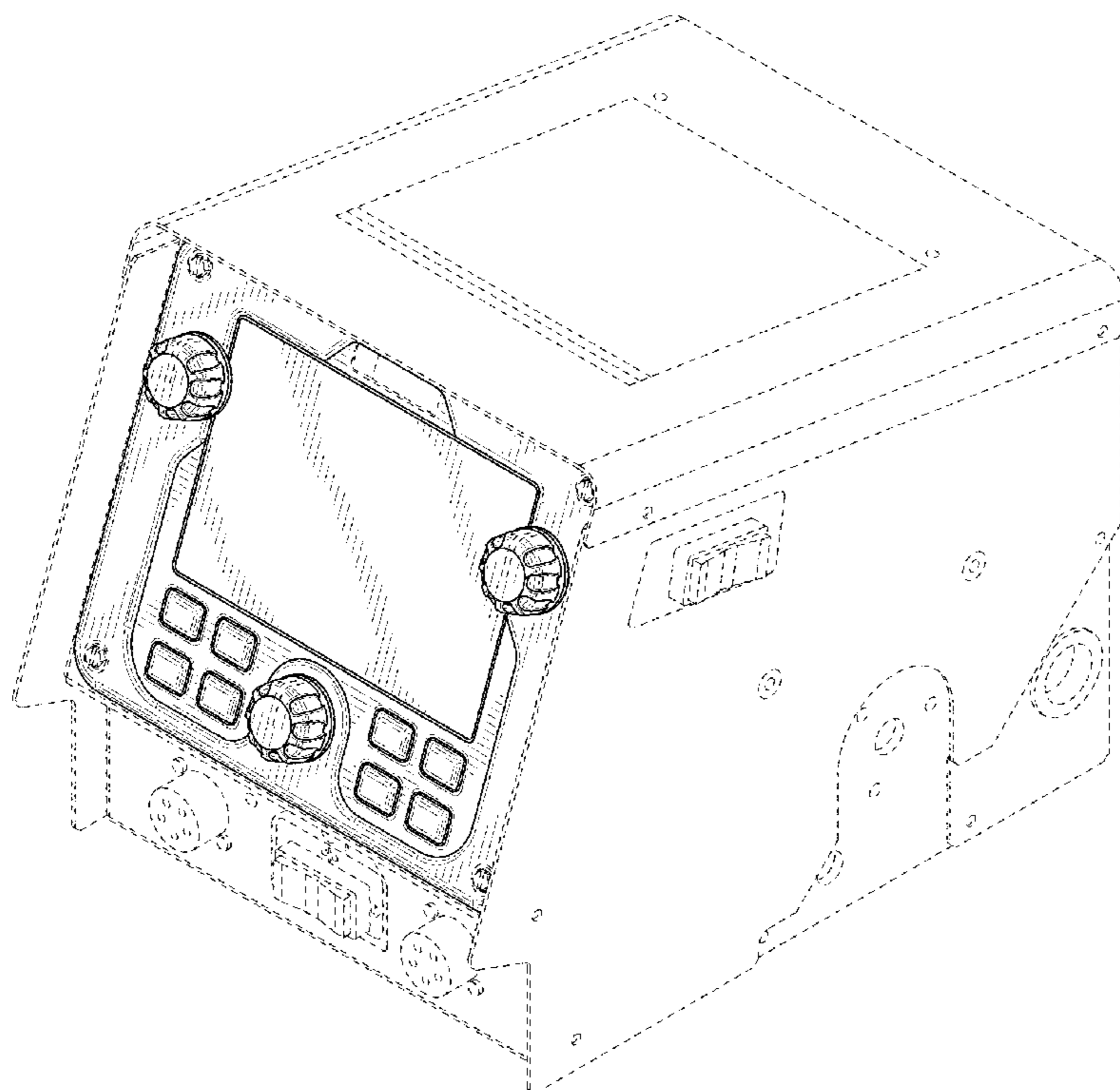
The ornamental design for a user interface for a wire feeder,
as shown and described.

DESCRIPTION

FIG. 1 is a front perspective view of a wire feeder with the
design for a user interface for the wire feeder;
FIG. 2 is a front elevational view thereof;
FIG. 3 is a rear elevational view thereof;
FIG. 4 is a left side elevational view thereof;
FIG. 5 is a right side elevational view thereof;
FIG. 6 is a top plan view thereof;
FIG. 7 is a bottom plan view thereof; and,
FIG. 8 is an orthogonal view of the user interface for a wire
feeder.

The evenly dashed broken lines illustrate environmental
structure and portions of the article that form no part of the
claimed design. The unevenly dashed broken lines surround-
ing the user interface in FIG. 8 are for the purpose of
illustrating the boundaries of the view shown in FIG. 8 and
form no part of the claimed design.

1 Claim, 8 Drawing Sheets



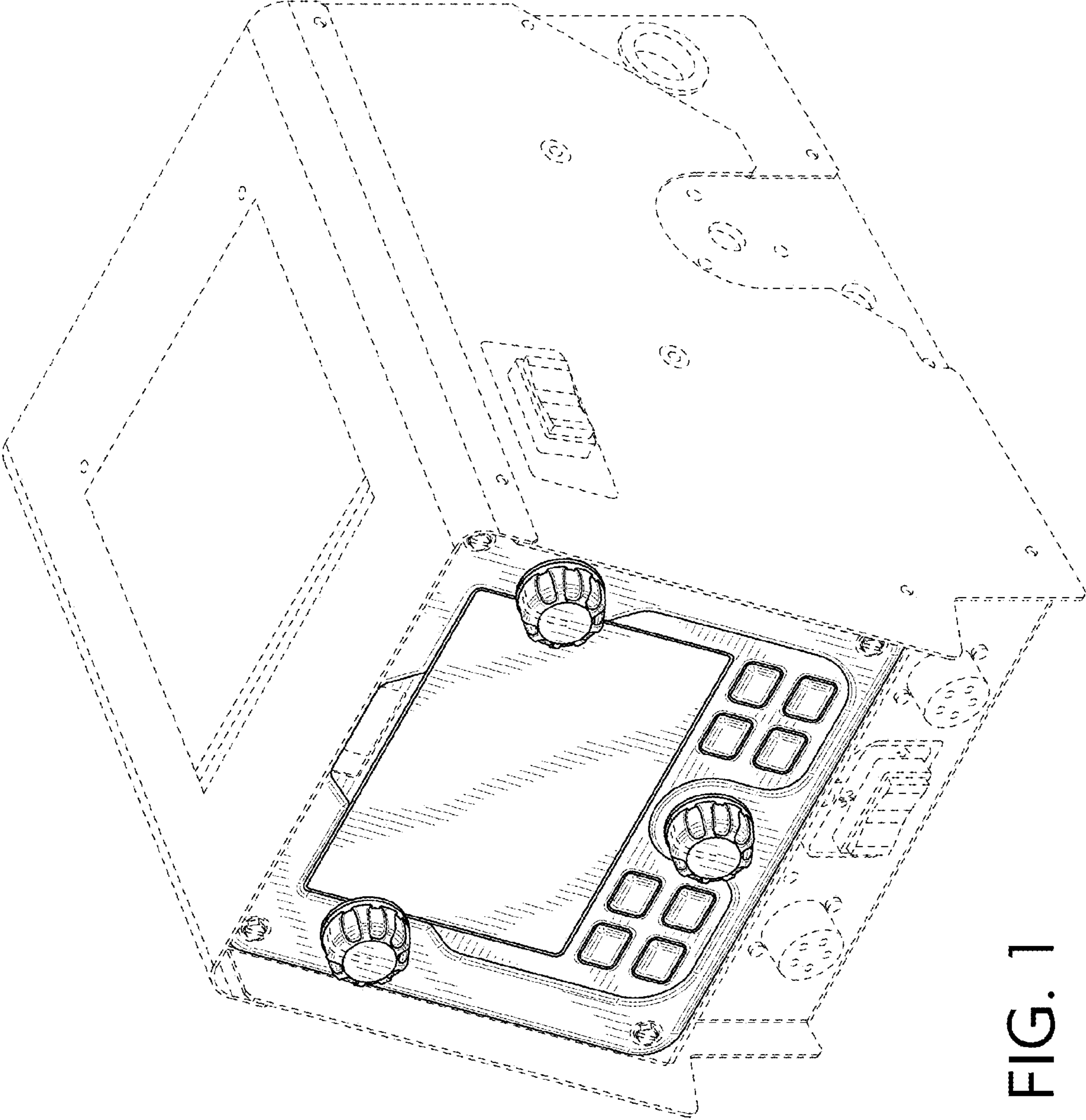


FIG. 1

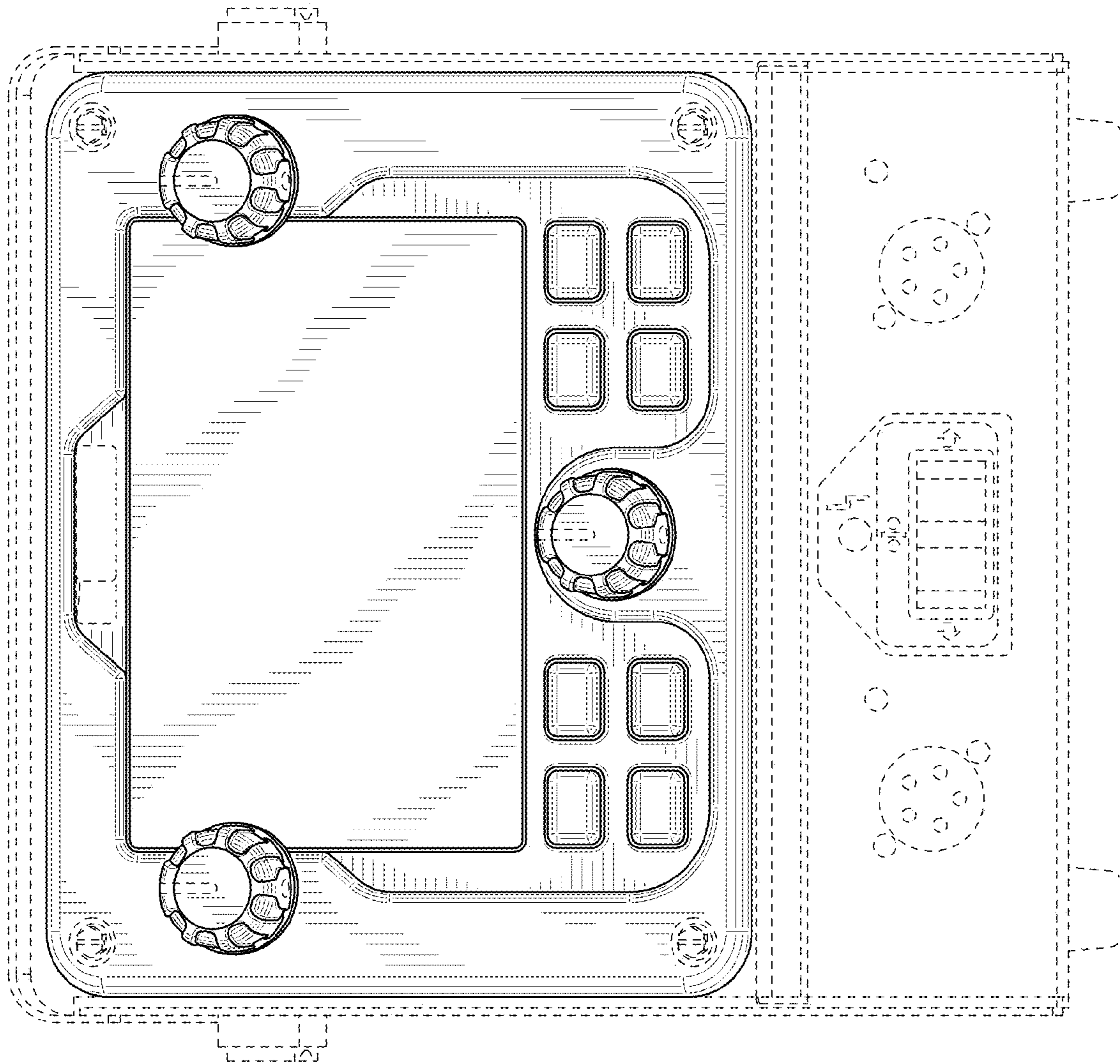


FIG. 2

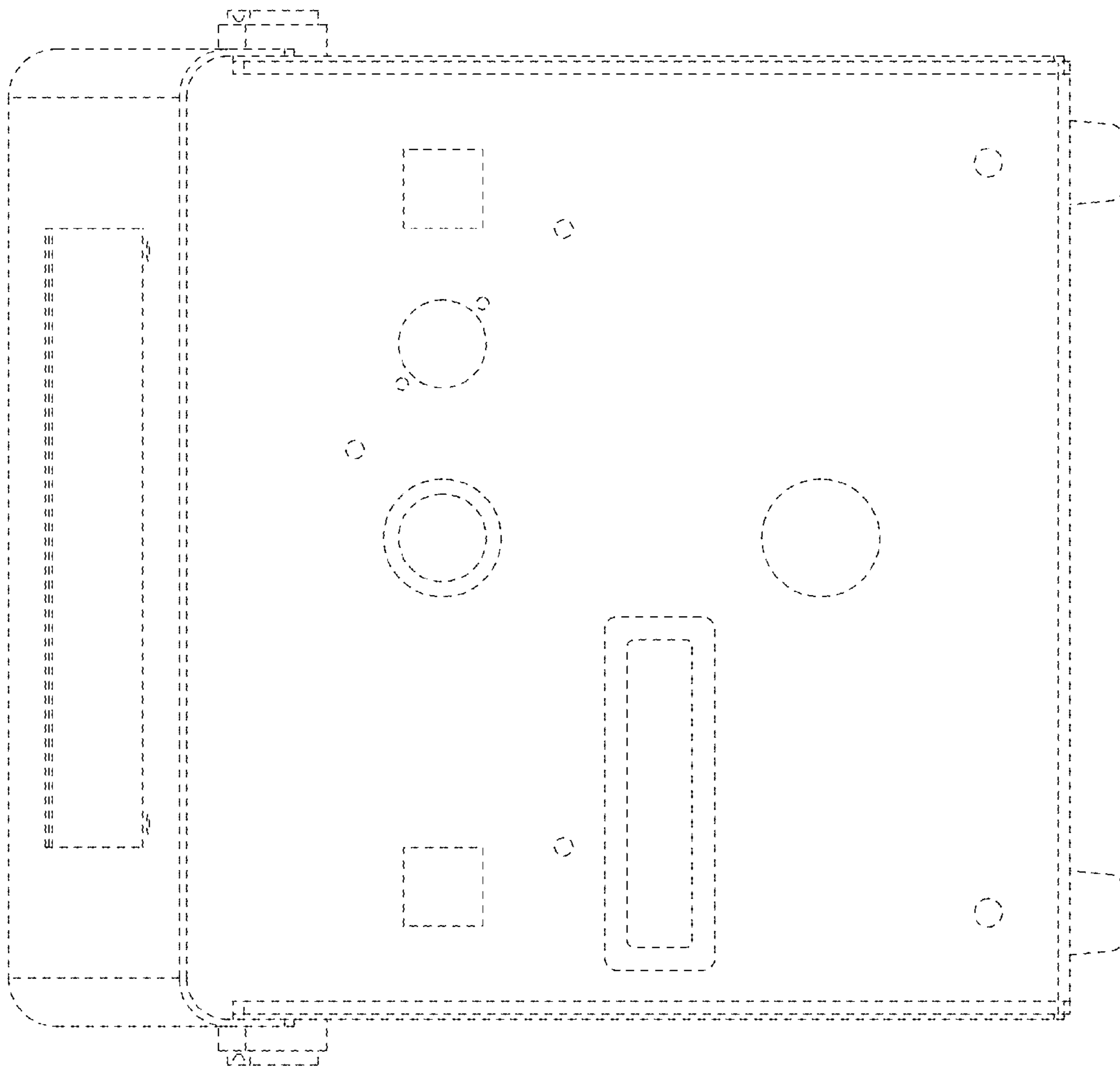


FIG. 3

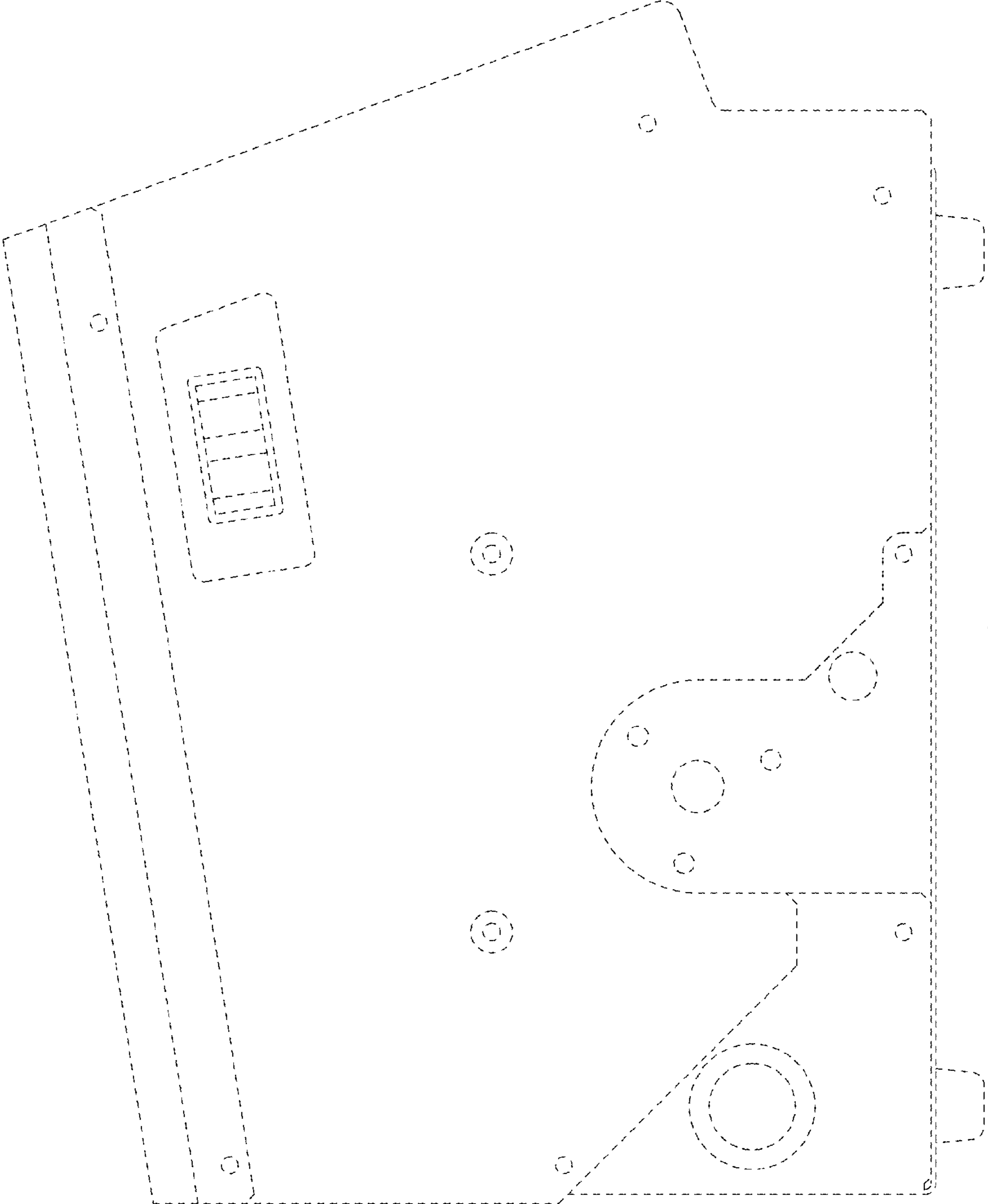


FIG. 4

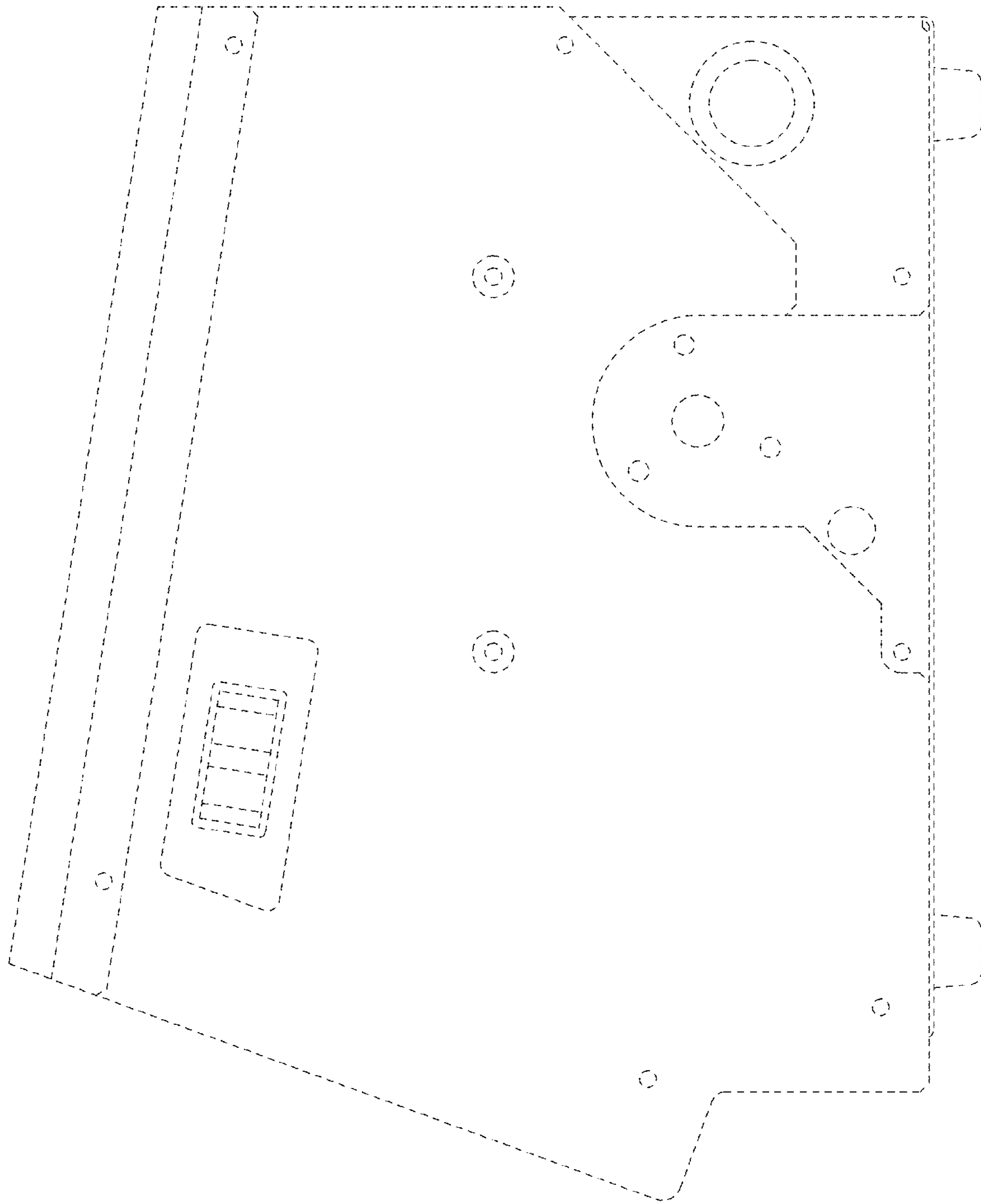


FIG. 5

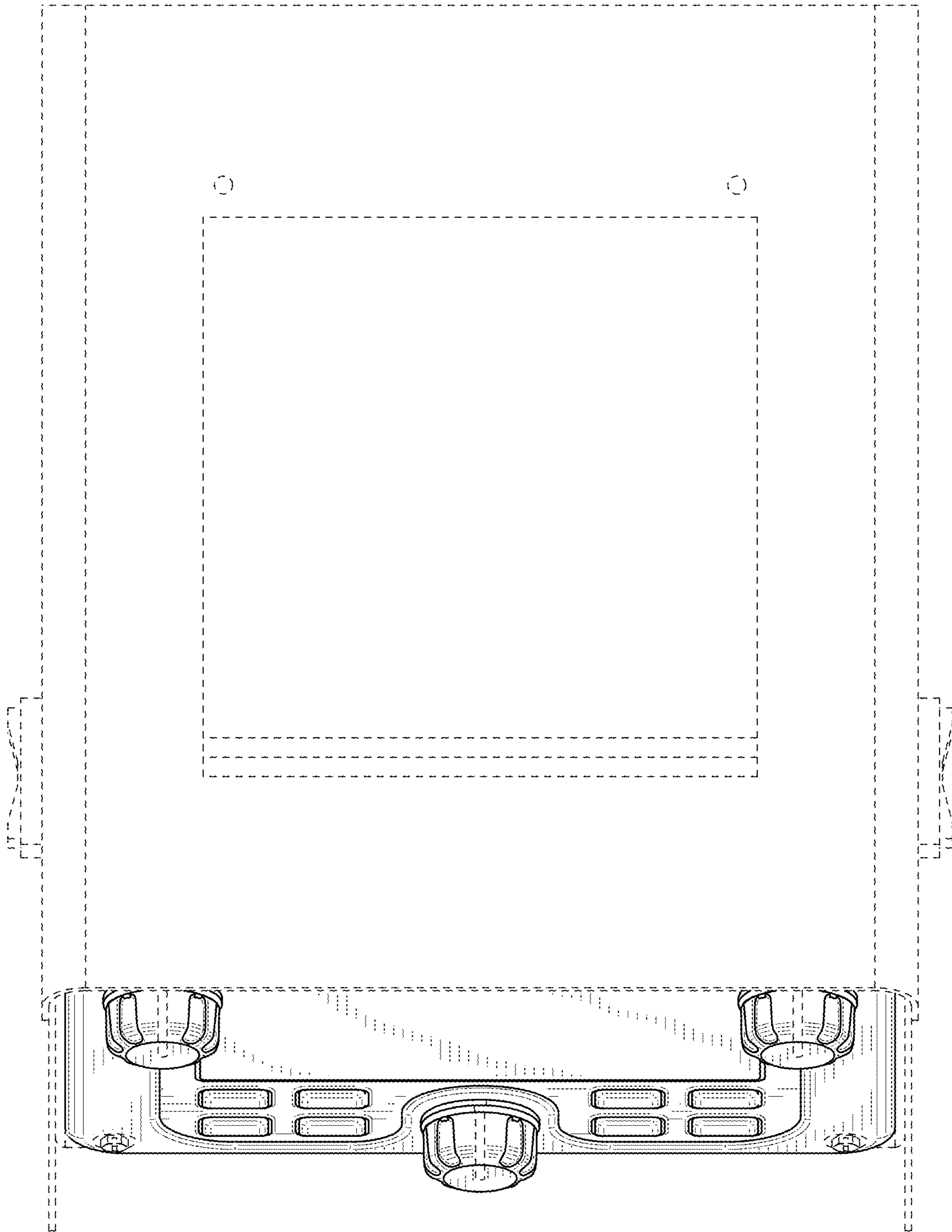


FIG. 6

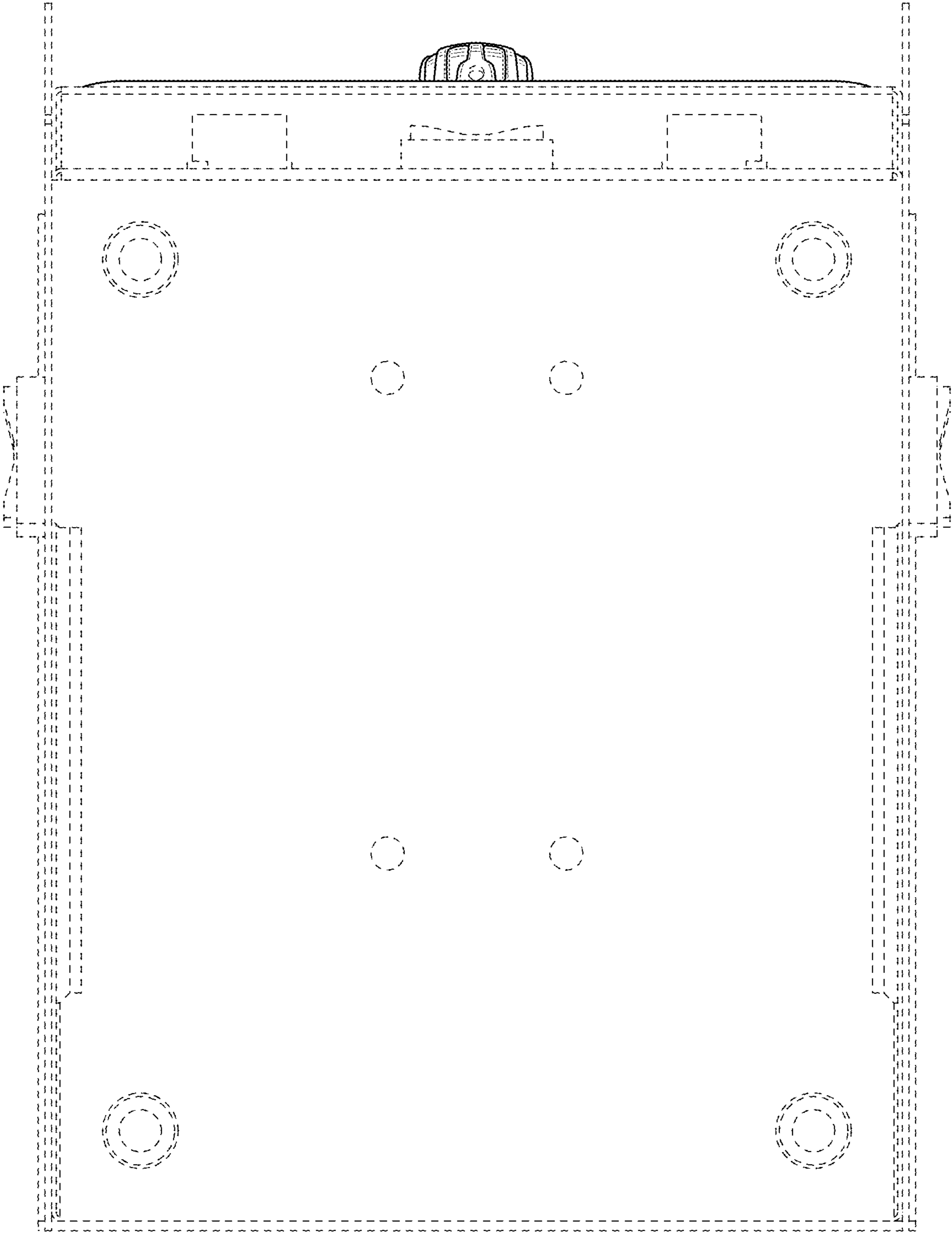


FIG. 7

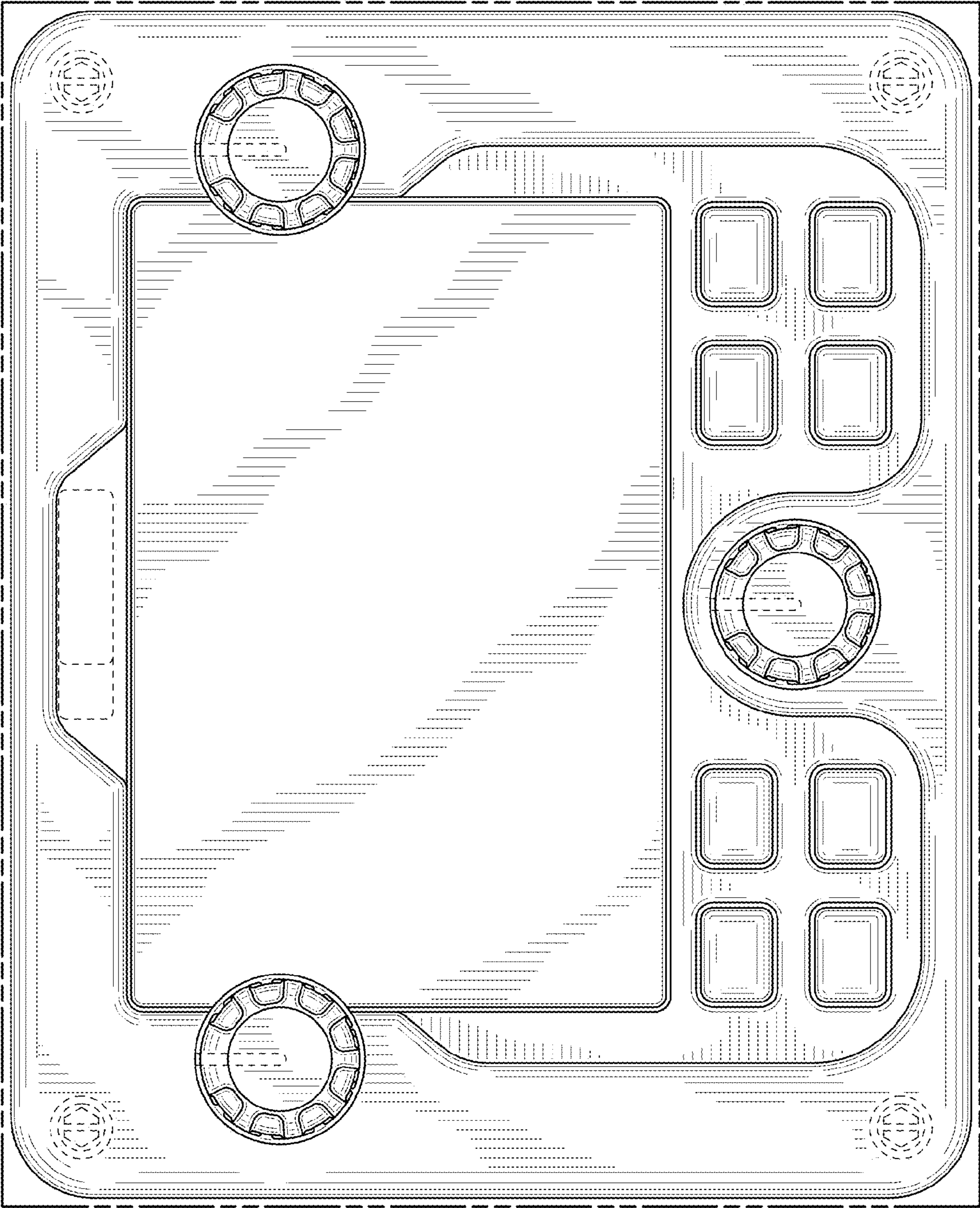


FIG. 8