



US00D931234S

(12) **United States Design Patent**  
**Fu et al.**

(10) **Patent No.:** **US D931,234 S**  
(45) **Date of Patent:** **\*\* Sep. 21, 2021**

(54) **CONTROL MODULE**

(71) Applicant: **SCHNEIDER ELECTRIC (AUSTRALIA) PTY LTD**, Macquarie Park (AU)

(72) Inventors: **Jiayu Fu**, Shenzhen (CN); **Fuhua Shan**, Shenzhen (CN)

(73) Assignee: **Schneider Electric (Australia) PTY LTD**, Macquarie Park (AU)

(\*\*) Term: **15 Years**

(21) Appl. No.: **29/703,909**

(22) Filed: **Aug. 30, 2019**

(51) **LOC (13) Cl.** ..... **13-03**

(52) **U.S. Cl.**  
USPC ..... **D13/162**

(58) **Field of Classification Search**  
USPC ..... D13/158, 162, 164, 165, 169, 170, 171, D13/173, 174, 177, 184, 199, 125, 160; D10/106.8, 106.6; D8/353  
CPC ..... H01H 3/02; H01H 3/0213; H01H 3/12; H01H 3/122; H01H 9/061; H01H 9/02; H01H 9/16; H01H 9/161; H01H 9/18; H01H 9/182; H01H 13/12; H01H 13/04; H01H 13/14; H01H 9/181; H01H 2009/187; H01H 23/00; H05B 39/088  
See application file for complete search history.

(56) **References Cited**

**U.S. PATENT DOCUMENTS**

D310,814 S \* 9/1990 Rosenbaum ..... D13/117  
D312,611 S \* 12/1990 Watson ..... D13/158

D707,637 S \* 6/2014 Feldstein ..... D13/162  
D799,432 S \* 10/2017 McRoberts ..... D13/162  
D830,857 S \* 10/2018 Ni ..... D10/40  
D836,011 S \* 12/2018 Ni ..... D10/53  
D836,012 S \* 12/2018 Ni ..... D10/53  
D840,952 S \* 2/2019 Mortun ..... D13/162

\* cited by examiner

*Primary Examiner* — Rosemary K Tarcza

*Assistant Examiner* — Seth David Kumpf

(74) *Attorney, Agent, or Firm* — Locke Lord LLP

(57) **CLAIM**

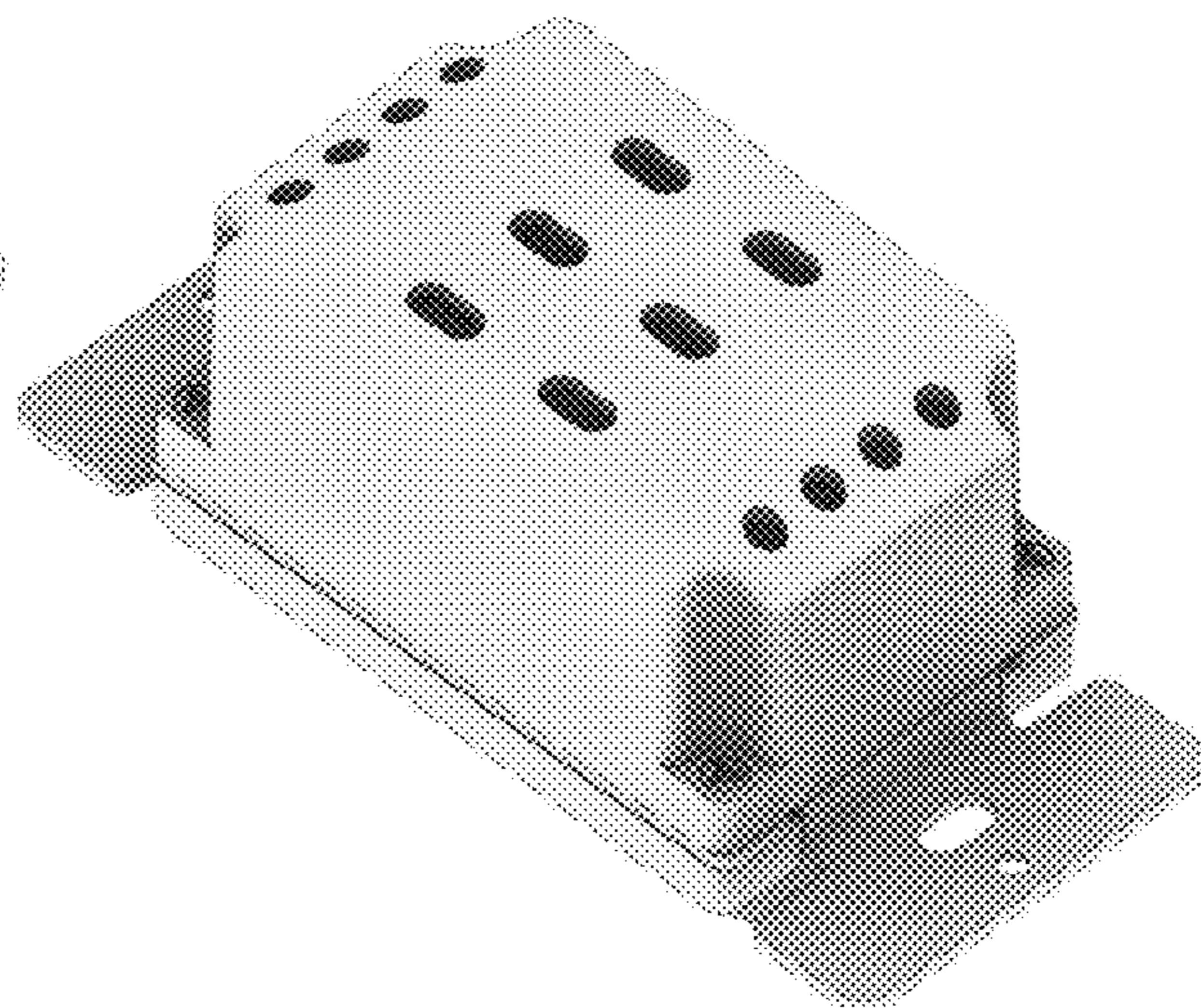
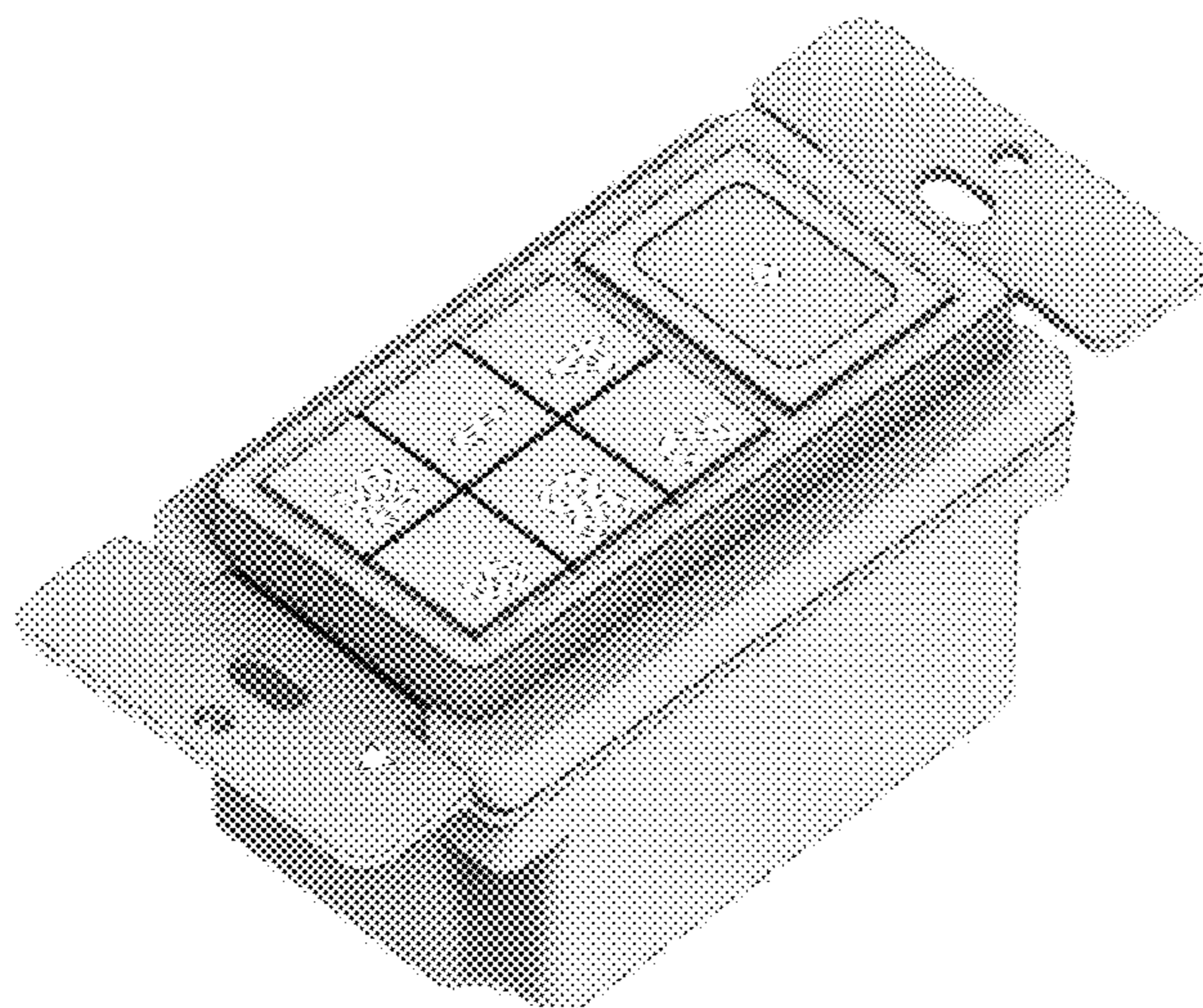
The ornamental design for a control module, as shown and described.

**DESCRIPTION**

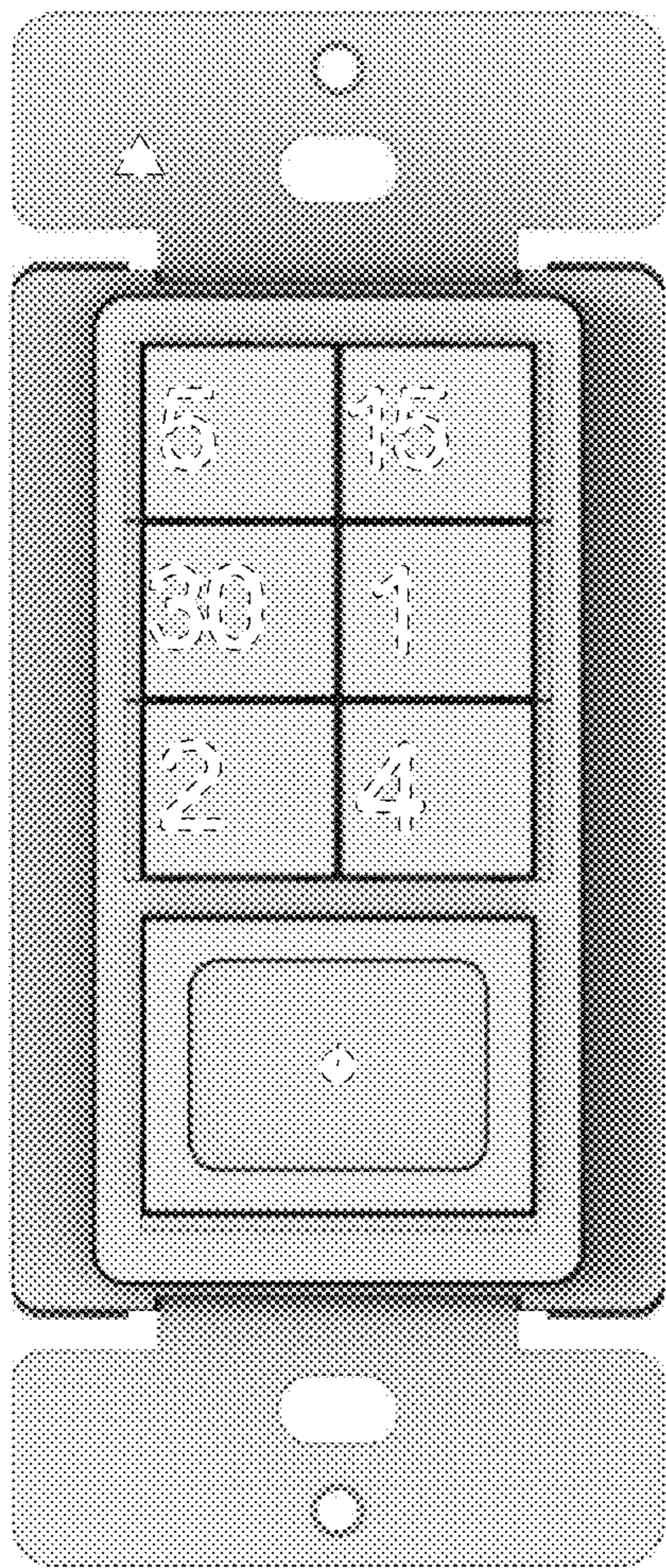
FIG. 1 is a front view of the control module;  
FIG. 2 is a back view of the control module shown in FIG. 1;  
FIG. 3 is a top view of the control module shown in FIG. 1;  
FIG. 4 is a bottom view of the control module shown in FIG. 1;  
FIG. 5 is a left view of the control module shown in FIG. 1;  
FIG. 6 is a right view of the control module shown in FIG. 1;  
FIG. 7 is a first perspective view of the control module shown in FIG. 1; and,  
FIG. 8 is a second perspective view of the control module shown in FIG. 1.

The broken lines in the drawings are for the purpose of illustrating portions of the control module that form no part of the claimed design.

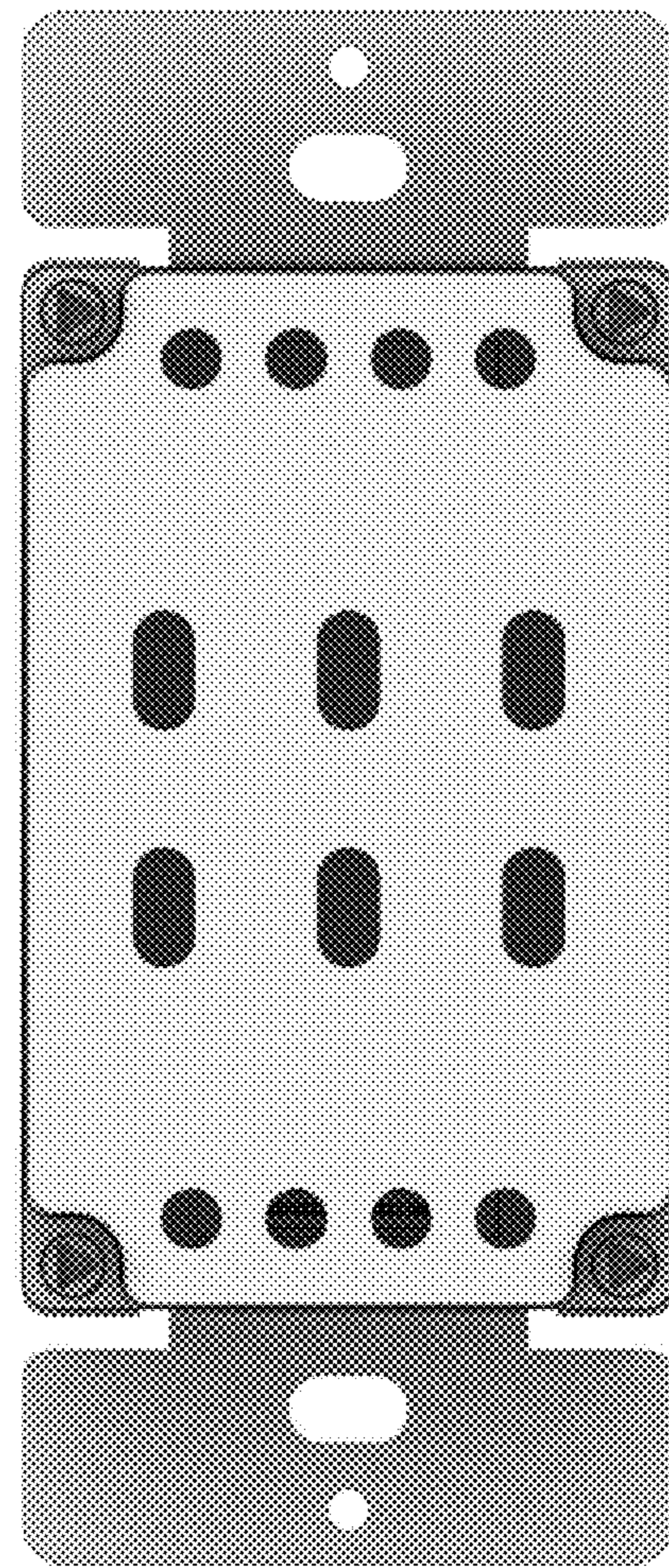
**1 Claim, 4 Drawing Sheets**





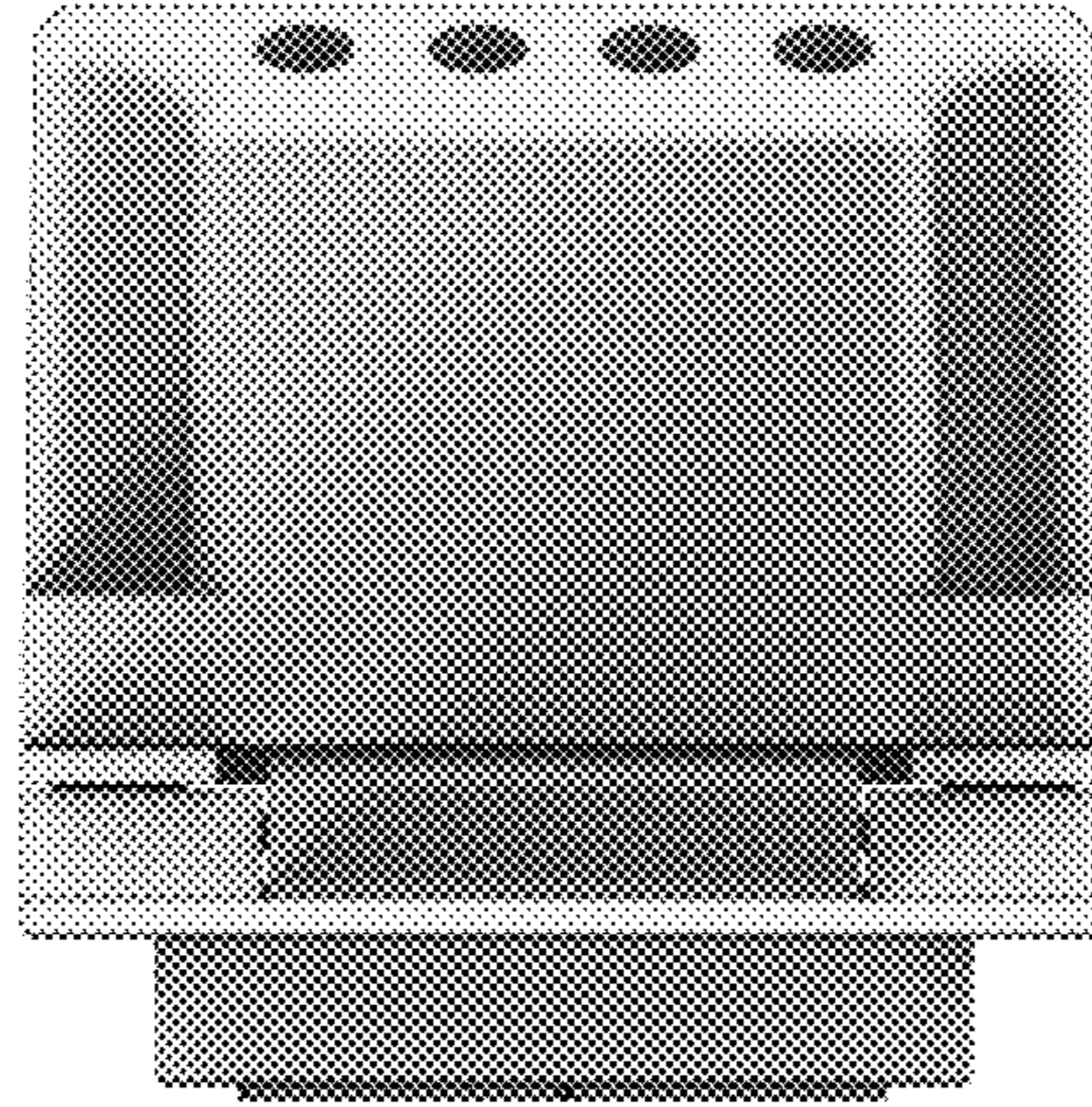


**FIG. 1**

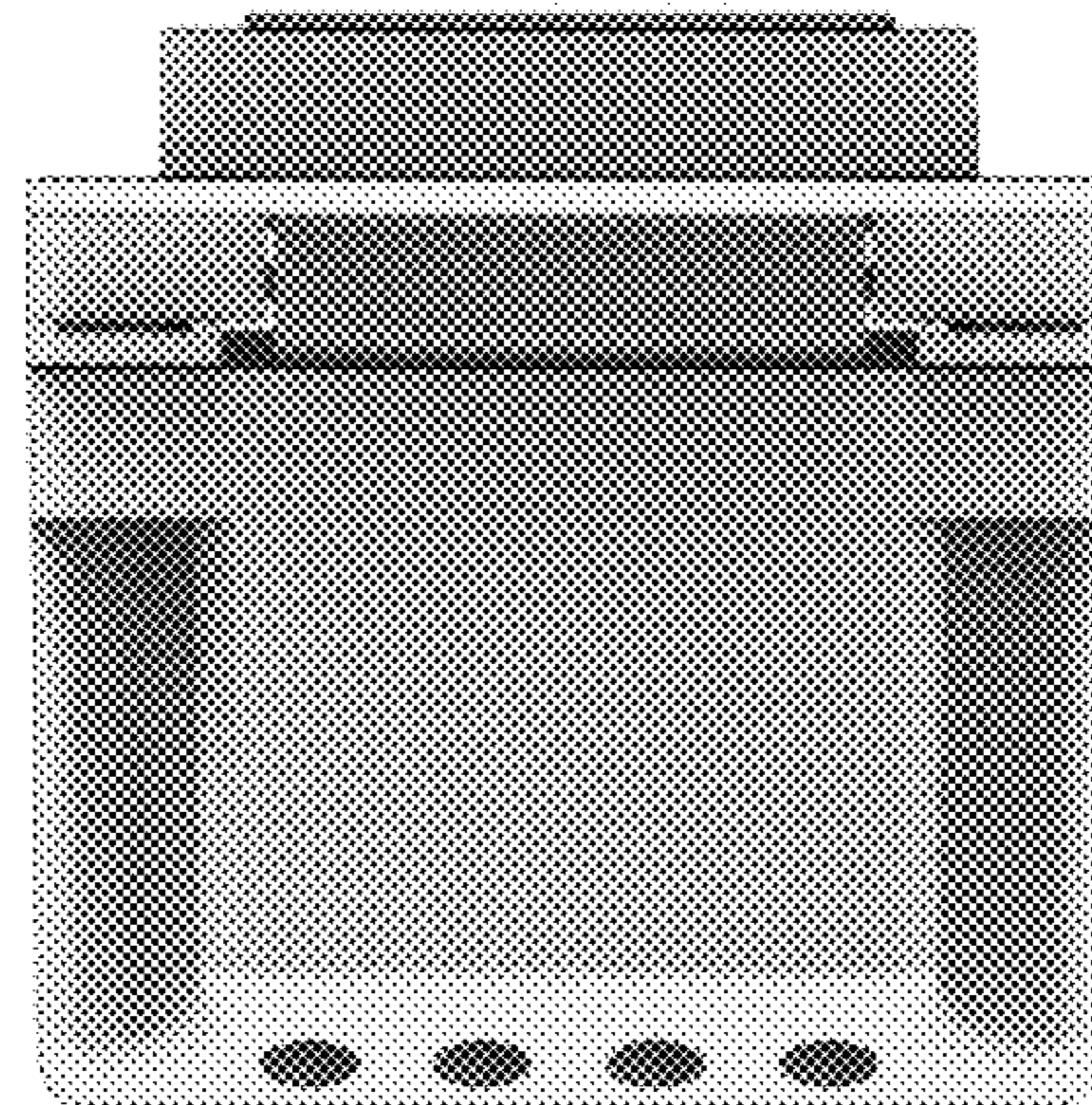


**FIG. 2**

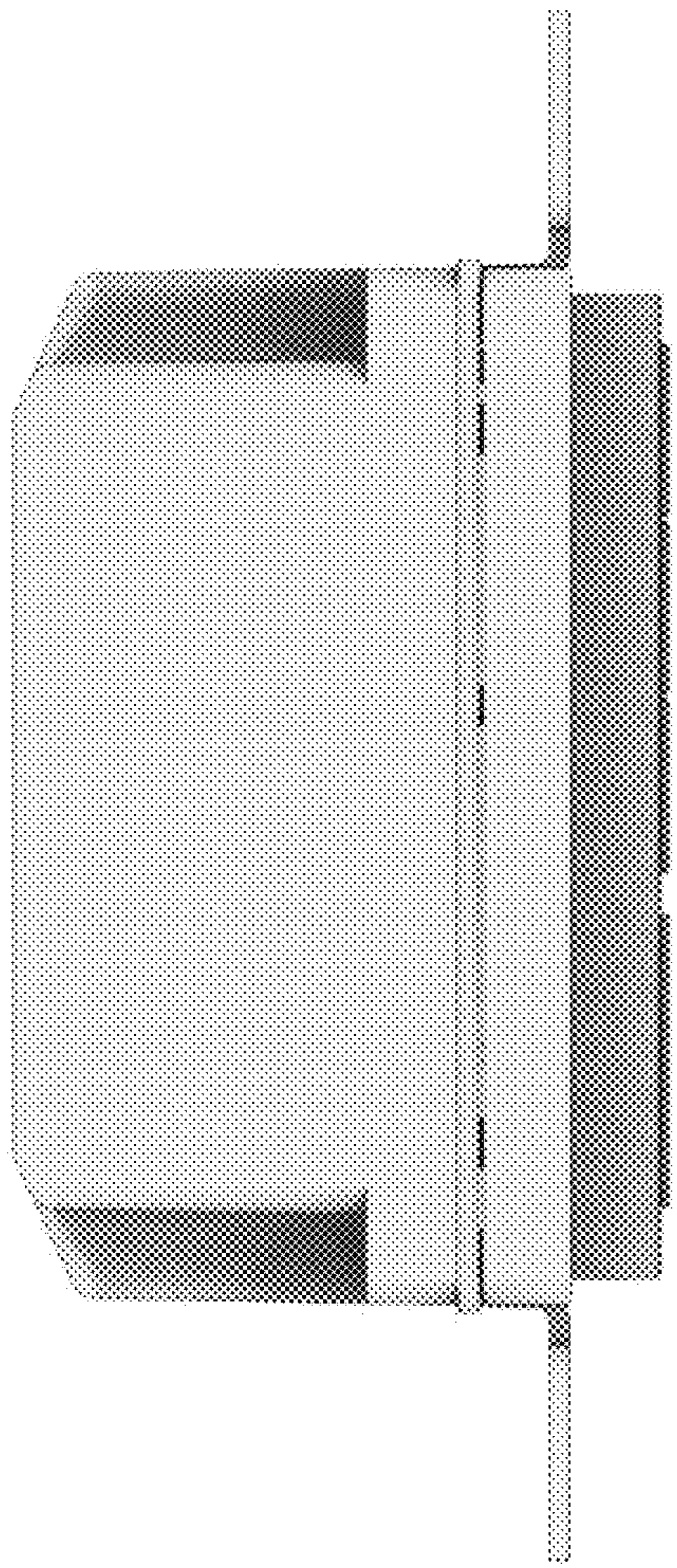




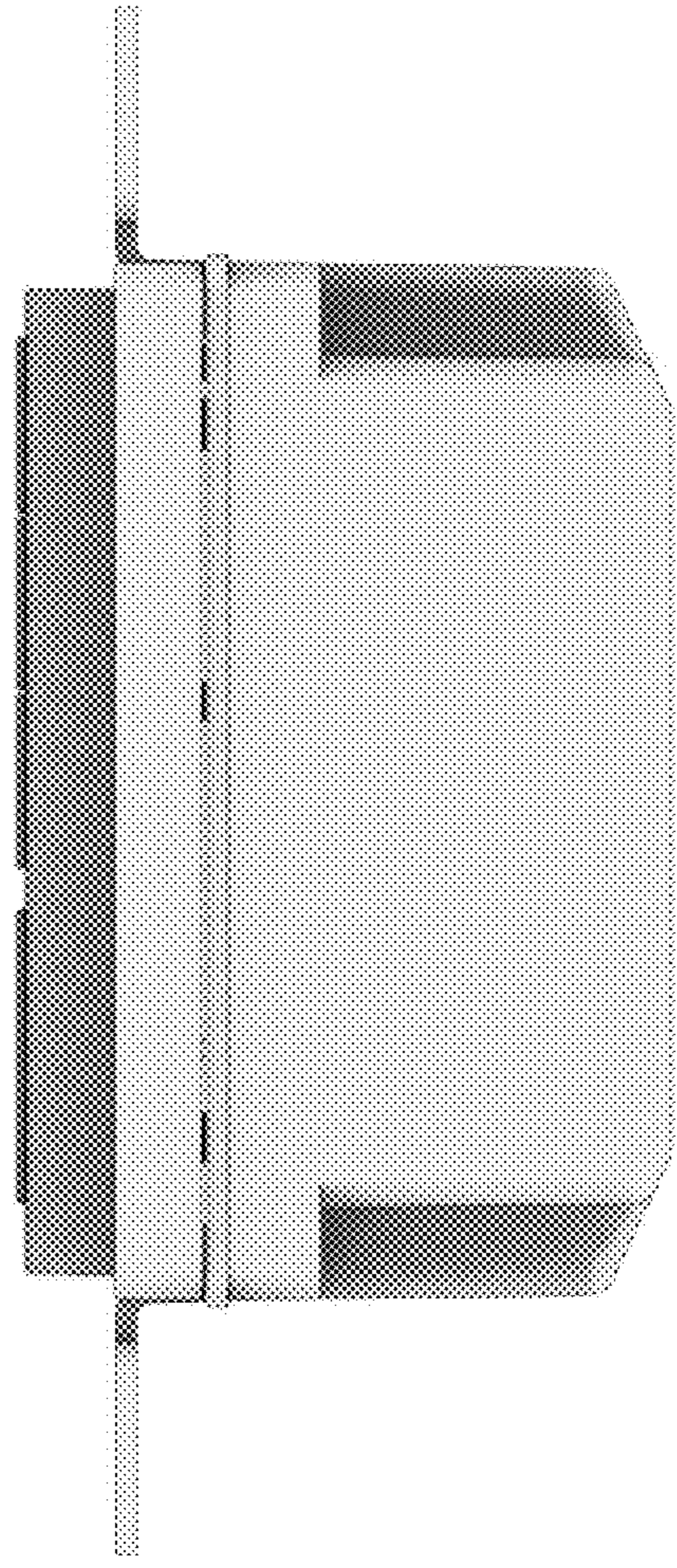
**FIG. 3**



**FIG. 4**

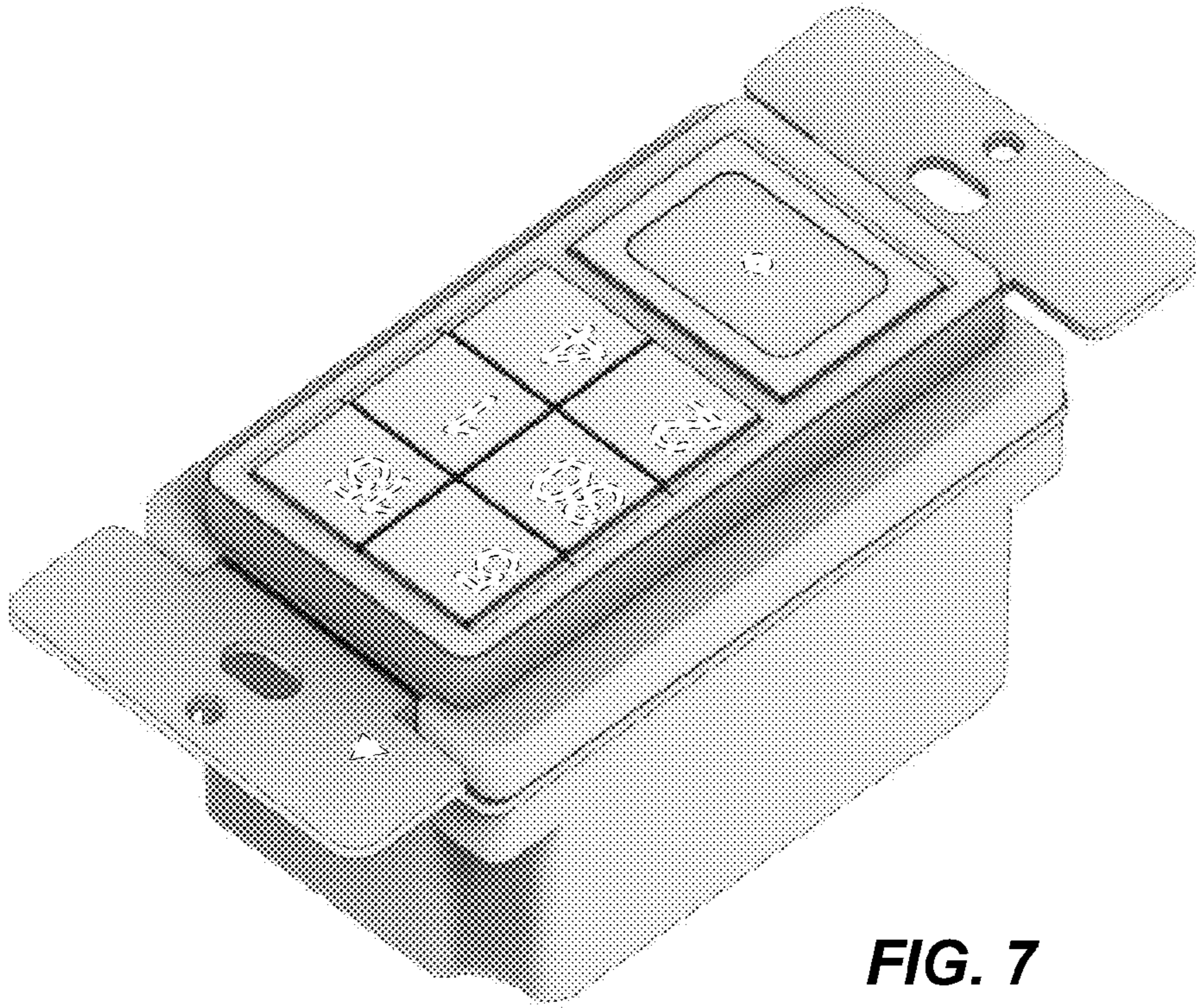


**FIG. 5**

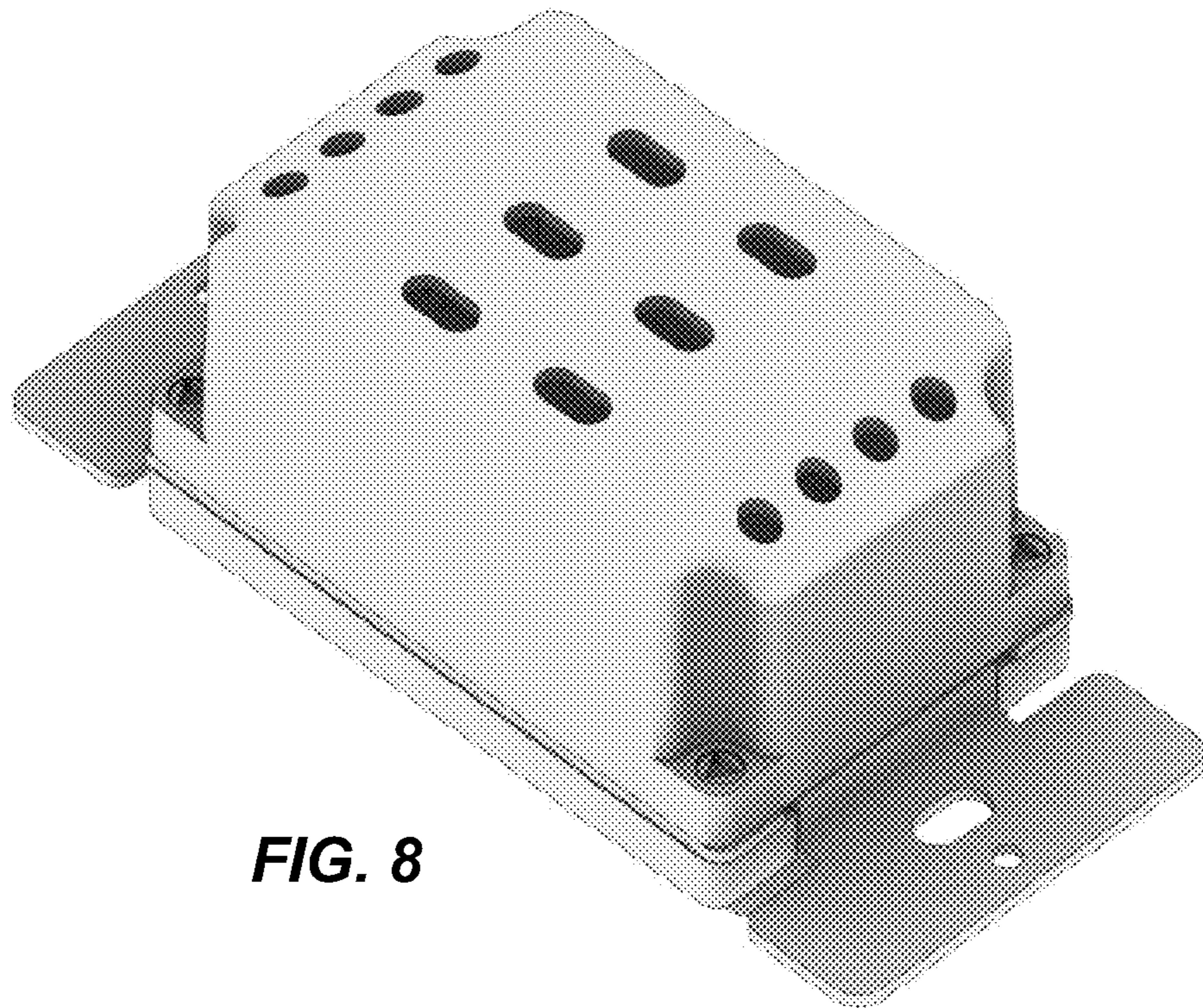


**FIG. 6**





**FIG. 7**



**FIG. 8**