



US00D931233S

(12) **United States Design Patent** (10) **Patent No.:** **US D931,233 S**
Pan (45) **Date of Patent:** **** Sep. 21, 2021**

(54) **PRESSURE SWITCH**

(71) Applicant: **SHENZHEN FEIYACHI INDUSTRIAL CO., LTD.**, Shenzhen (CN)

(72) Inventor: **Bilan Pan**, Shenzhen (CN)

(**) Term: **15 Years**

(21) Appl. No.: **29/759,555**

(22) Filed: **Nov. 24, 2020**

(30) **Foreign Application Priority Data**

Nov. 4, 2020 (CN) 202030665218.5

(51) **LOC (13) Cl.** **13-03**

(52) **U.S. Cl.**
USPC **D13/158**; D13/171; D22/108

(58) **Field of Classification Search**
USPC D13/123, 158-160, 162-164, 167-169, D13/171, 173, 174, 184, 199; D22/100, D22/108-110, 199
CPC F41C 23/00; F41C 23/12; F41G 11/00; G08C 17/02; H01H 9/02; H01H 13/06; H01H 13/16; H01H 13/70; H01H 9/00; H01H 9/04; H01H 35/24; H01H 35/26; H01H 35/34; H01H 35/38; H01R 33/88
See application file for complete search history.

(56) **References Cited**

U.S. PATENT DOCUMENTS

D335,281 S * 5/1993 Thummel D13/158
7,243,454 B1 * 7/2007 Cahill F41C 23/12
42/72
D674,858 S * 1/2013 Galli D22/108
D808,489 S * 1/2018 Cheng D22/108
10,514,235 B1 * 12/2019 McCauley H01H 9/02
D902,161 S * 11/2020 Zimmer D13/158

D906,988 S * 1/2021 Zimmer D13/158
2016/0211095 A1 * 7/2016 Zimmer F41C 27/00
2017/0283068 A1 * 10/2017 Udriste G08C 17/02
2018/0053607 A1 * 2/2018 McCauley F41G 11/003
2018/0170725 A1 * 6/2018 August B66D 3/006
(Continued)

OTHER PUBLICATIONS

SureFire Tape Switch, dated Mar. 10, 2012, [online], [site visited Apr. 15, 2021]. Available from Internet, URL: https://www.bhphotovideo.com/c/product/520202-REG/Surefire_SR07_Tape_Switch.html/specs (Year: 2012).*

(Continued)

Primary Examiner — Shawn T Gingrich
(74) *Attorney, Agent, or Firm* — W&K IP

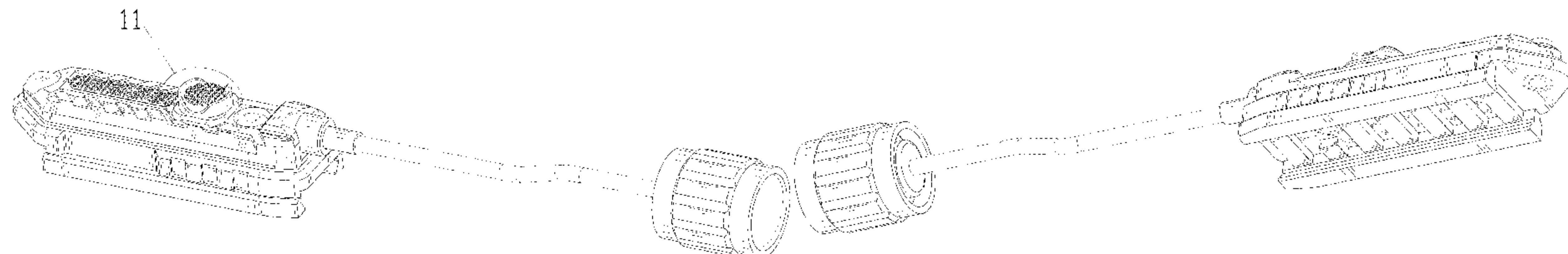
(57) **CLAIM**

The ornamental design for a pressure switch, as shown and described.

DESCRIPTION

FIG. 1 is a perspective view of a pressure switch showing my new design;
FIG. 2 is another perspective view thereof;
FIG. 3 is a front elevational view thereof;
FIG. 4 is a rear elevational view thereof;
FIG. 5 is a left side elevational view thereof;
FIG. 6 is a right side elevational view thereof;
FIG. 7 is a top plan view thereof;
FIG. 8 is a bottom plan view thereof;
FIG. 9 is a perspective view of the pressure switch where the pressure switch is in a first configuration of use;
FIG. 10 is another perspective view of the pressure switch where the pressure switch is in a second configuration of use; and,
FIG. 11 is an enlarged view of portion 11 shown in FIG. 1. The broken lines in the drawings depict portions of the pressure switch that form no part of the claimed design.

1 Claim, 11 Drawing Sheets



(56)

References Cited

U.S. PATENT DOCUMENTS

2020/0143667 A1* 5/2020 Zimmer H01R 33/955
2021/0054964 A1* 2/2021 Chen F41A 35/00

OTHER PUBLICATIONS

Fenix AER-03 V2.0 tactical switch, dated Jan. 30, 2019, [online], [site visited Apr. 15, 2021]. Available from Internet, URL: <https://www.knivesandtools.com/en/pt/-fenix-aer-03-remote-tailcap.htm> (Year: 2019).*

Modlite / Surefire Scout Tailcap & Tape Switch Product Guide, dated Aug. 7, 2018, [online], [site visited Apr. 15, 2021]. Available from Internet, URL: <https://www.bigtexoutdoors.com/surefire-scout-tailcap-tape-switch-product-guide/> (Year: 2018).*

“BESTSUN 1200 Lumen Super Bright Tactical Flashlight with Picatinny Rail Mount, Pressure Switch Battery Charger and 1" 25mm Ring Offset Side 45 Degree Picatinny Offset Mount”, Retrieved Nov. 24, 2020, Retrieved from Internet, <https://www.amazon.com/BESTSUN-Tactical-Flashlight-Picatinny-Pressure/dp/B08DY3R5VM/>.

“Nitecore MH12 Rechargeable Flashlight w/Offset Mount, Battery, Pressure Switch”, Retrieved Nov. 24, 2020. Retrieved from Internet, <https://www.amazon.com/Nitecore-MH12-Rechargeable-Flashlight-Pressure/dp/B00UAYK0WY/>.

* cited by examiner

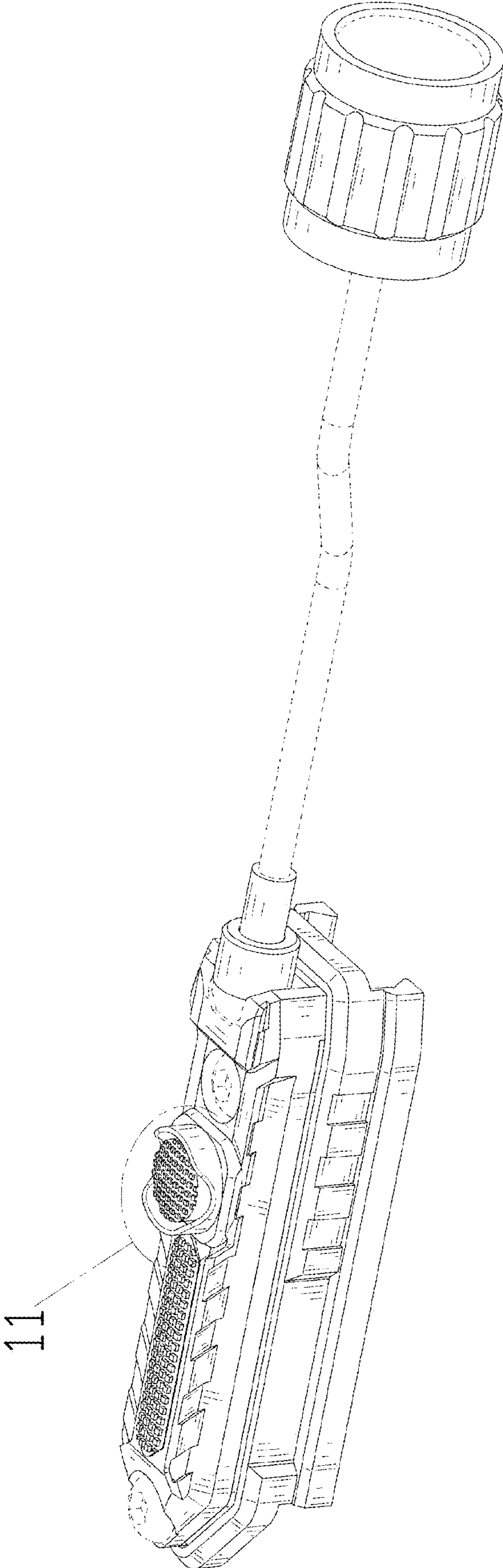


FIG. 1

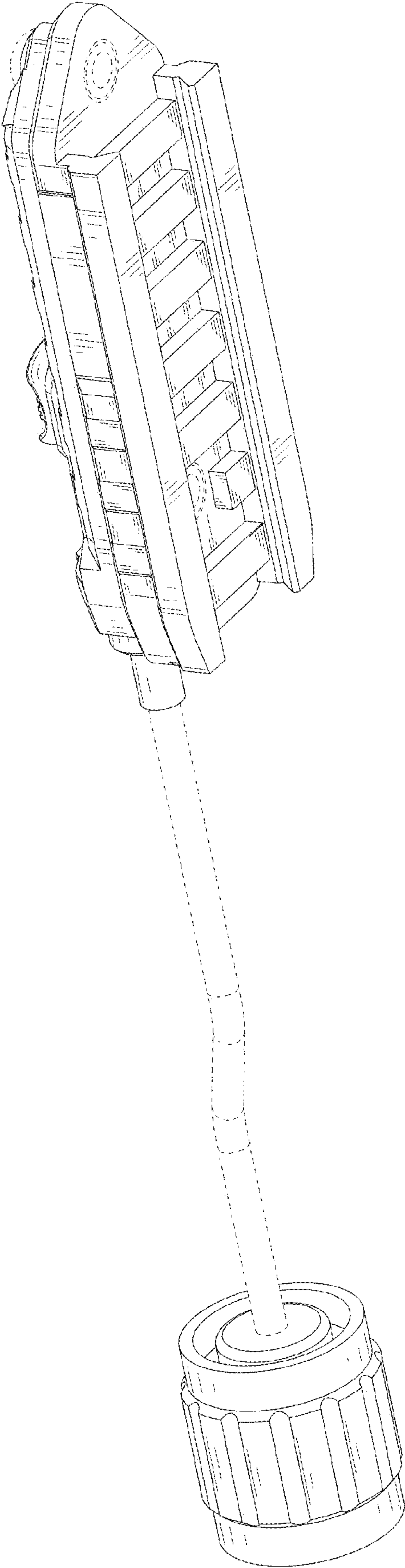


FIG. 2

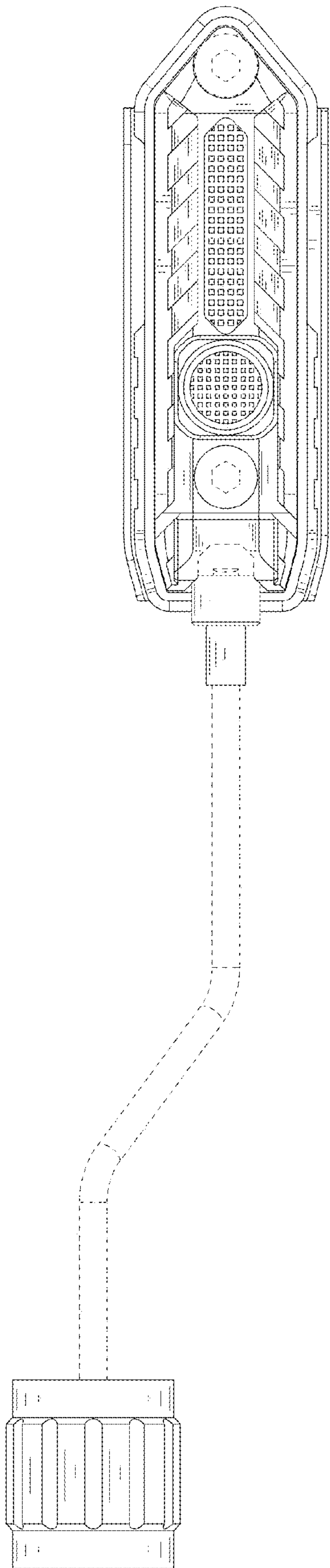


FIG. 3

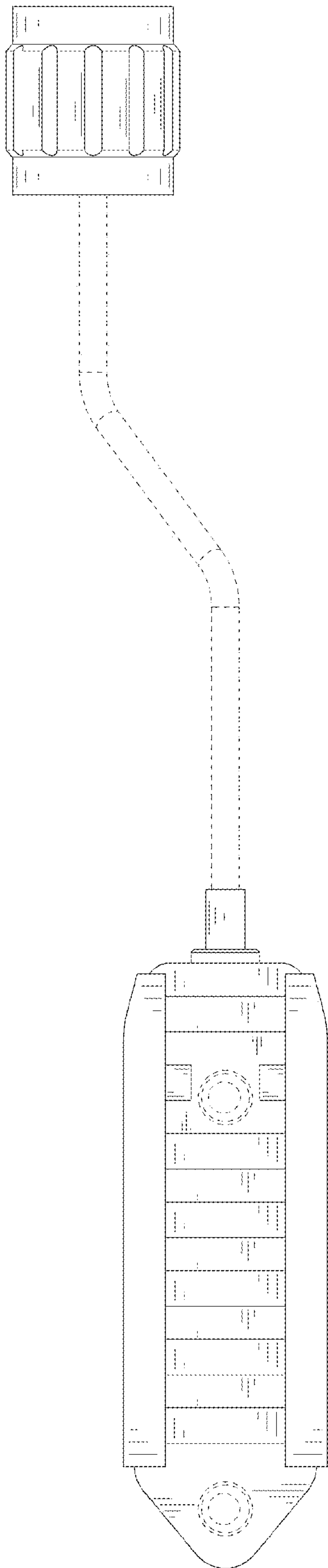


FIG. 4

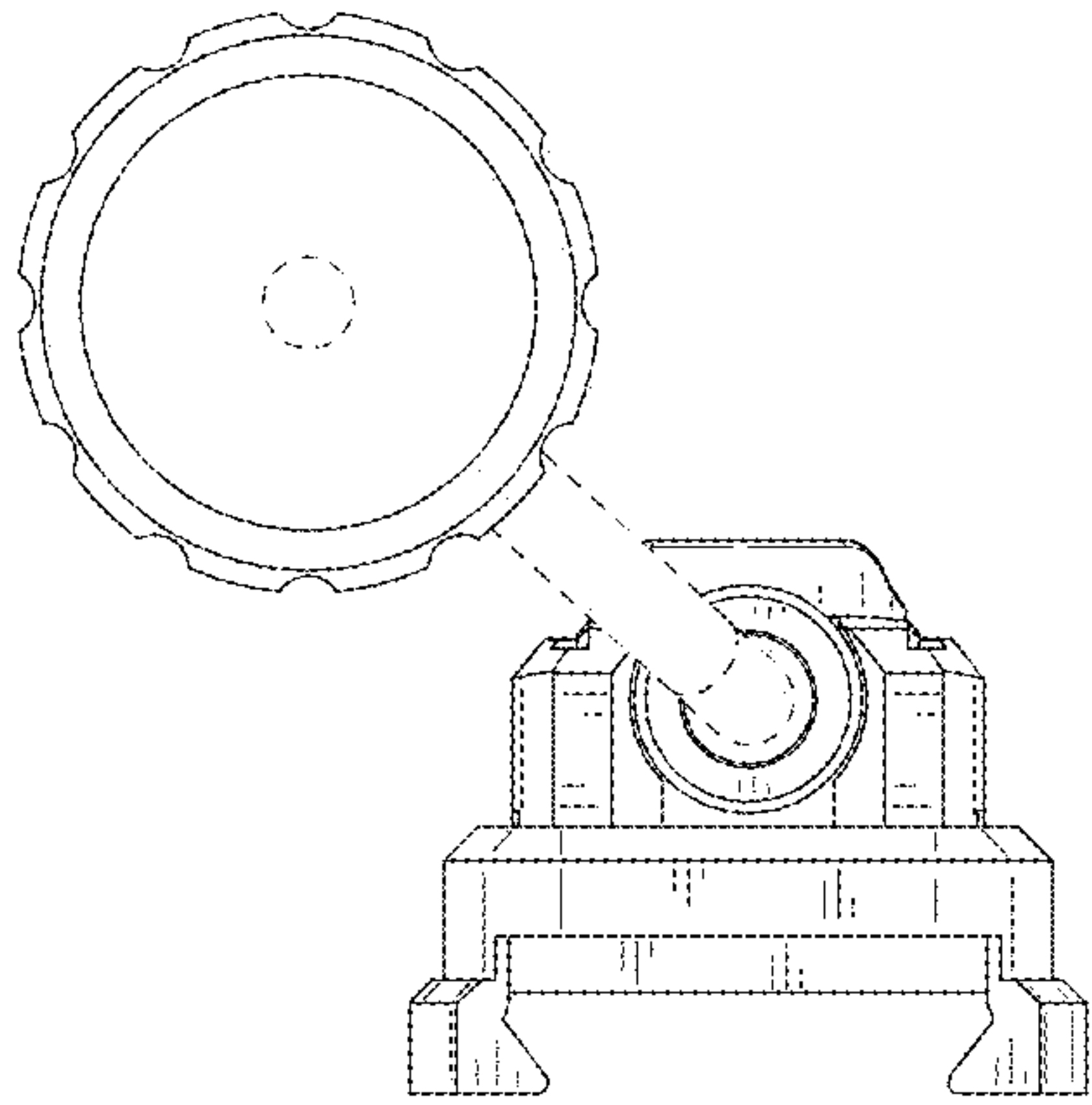


FIG. 5

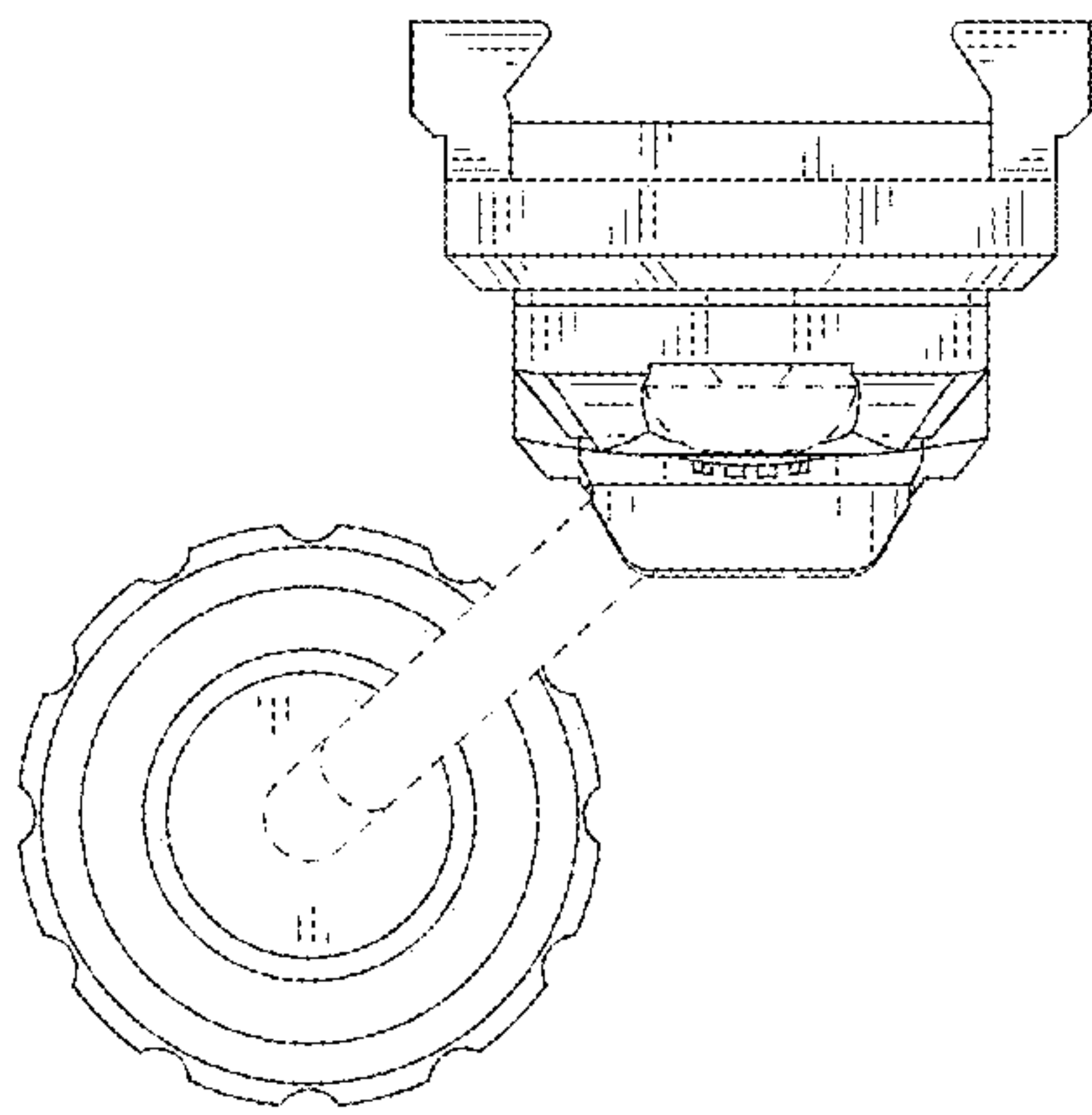


FIG. 6

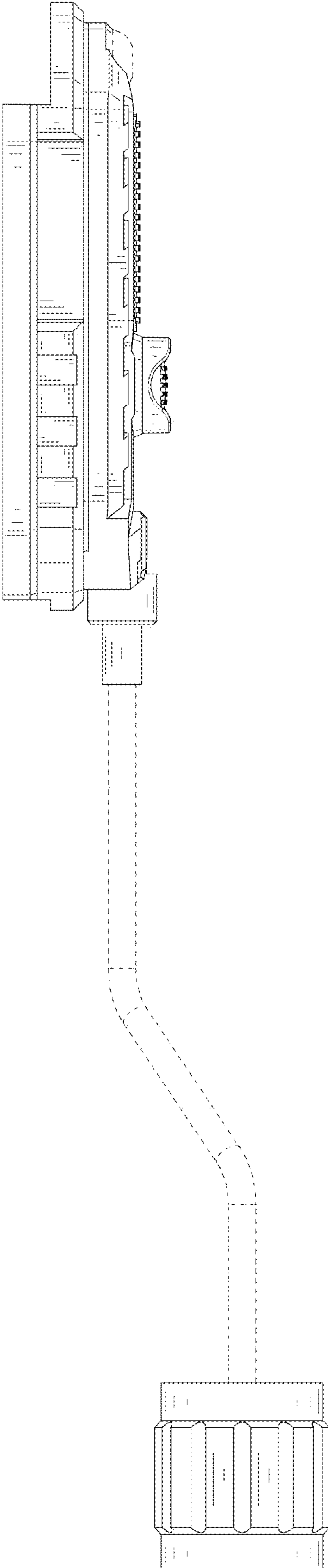


FIG. 7

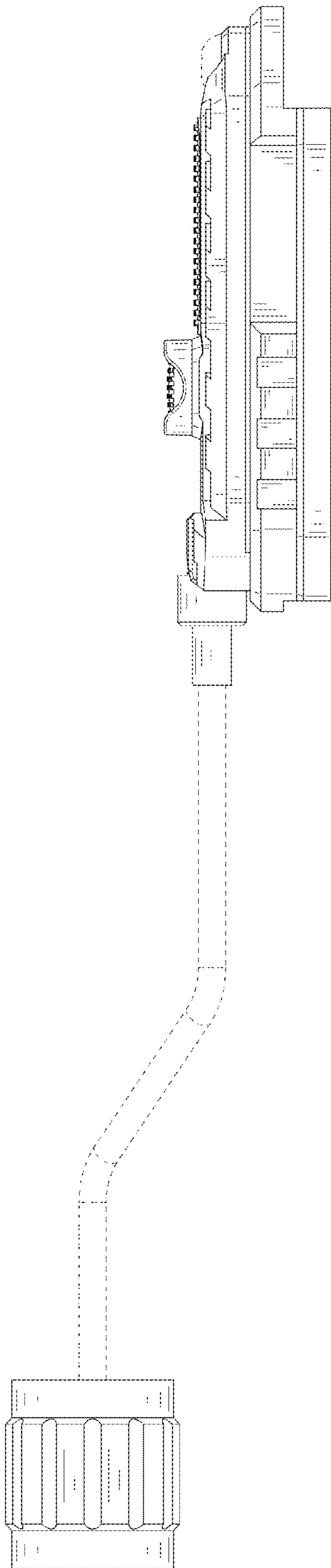


FIG. 8

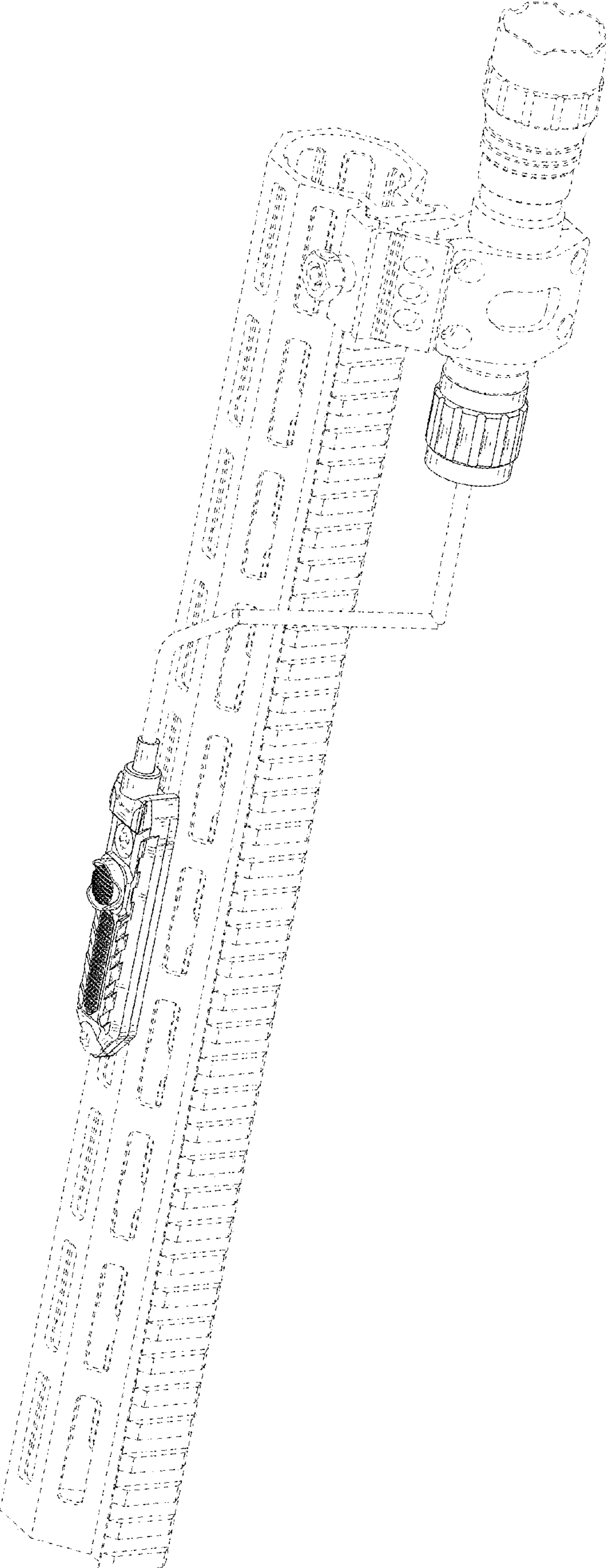


FIG. 9

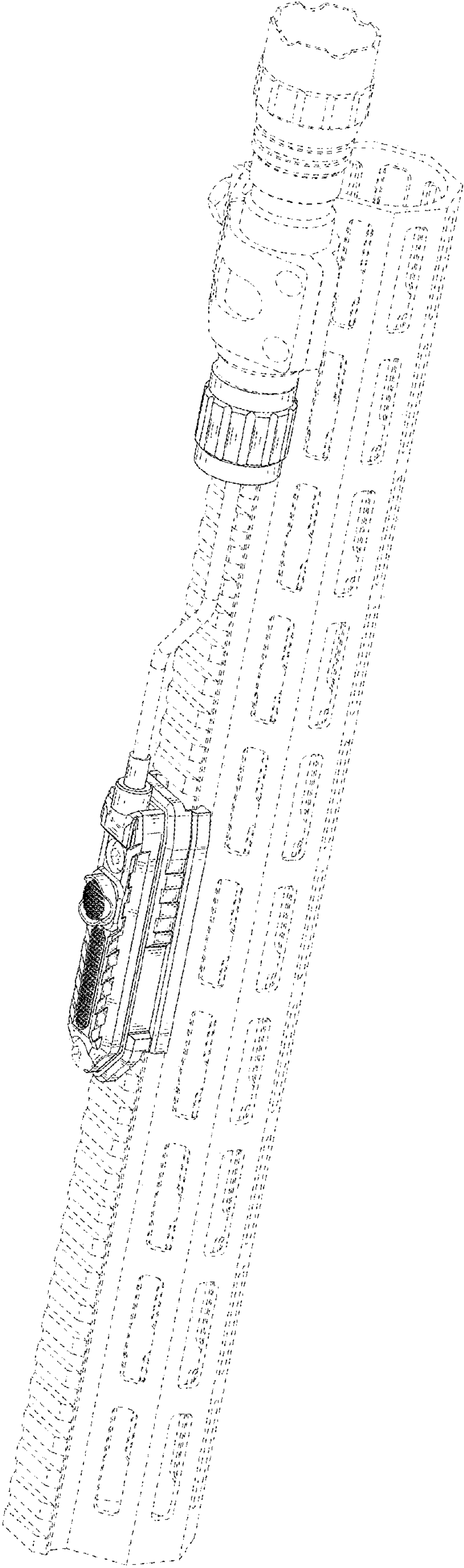


FIG. 10

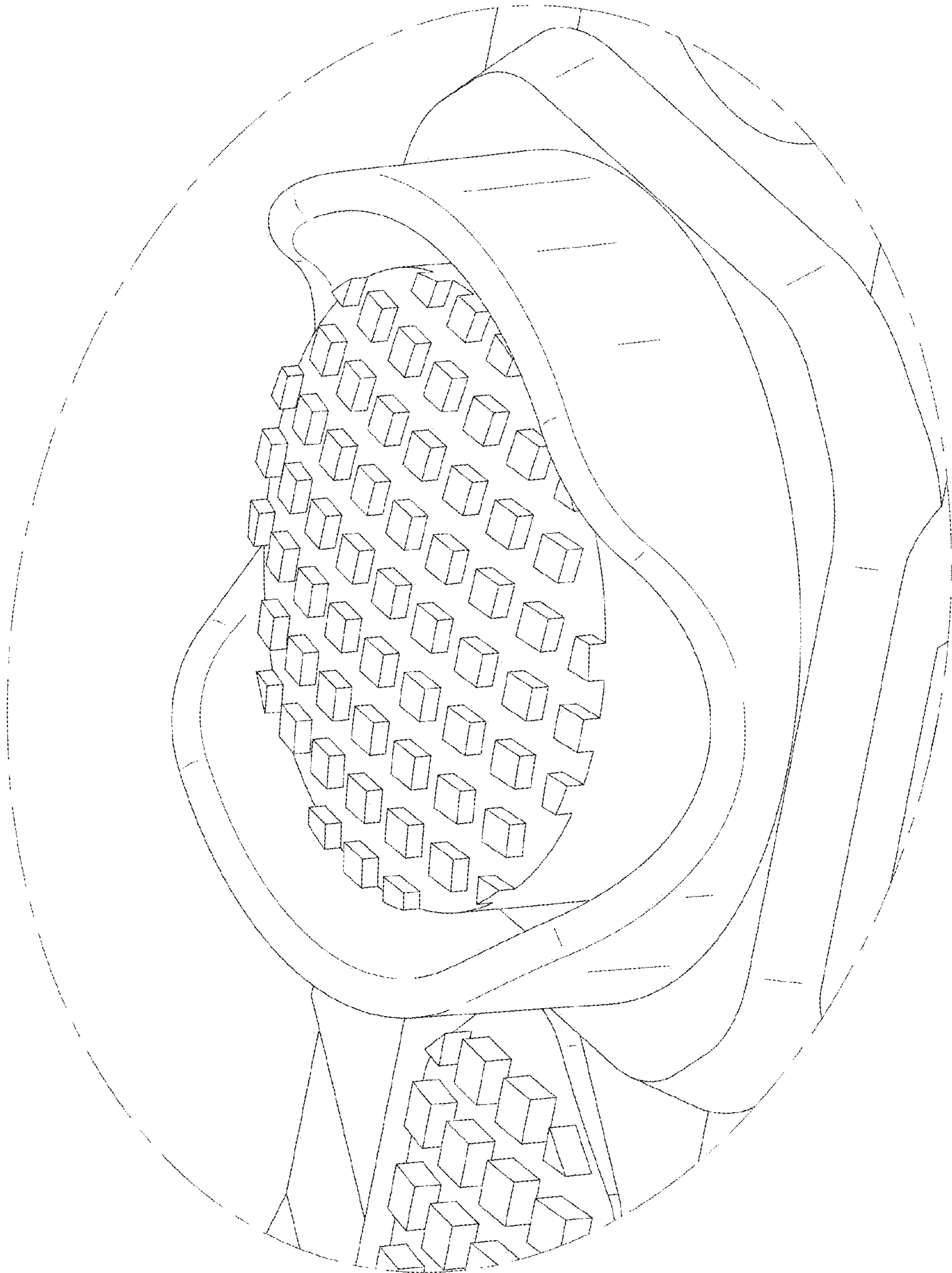


FIG. 11