



US00D931232S

(12) **United States Design Patent**
Fu et al.

(10) **Patent No.:** **US D931,232 S**
(45) **Date of Patent:** **** Sep. 21, 2021**

- (54) **SWITCH**
- (71) Applicant: **SCHNEIDER ELECTRIC (AUSTRALIA) PTY LTD**, Macquarie Park (AU)
- (72) Inventors: **Jiayu Fu**, Shenzhen (CN); **Fuhua Shan**, Shenzhen (CN)
- (73) Assignee: **Schneider Electric (Australia) PTY LTD**, Macquarie Park (AU)
- (**) Term: **15 Years**
- (21) Appl. No.: **29/703,904**
- (22) Filed: **Aug. 30, 2019**
- (51) **LOC (13) Cl.** **13-03**
- (52) **U.S. Cl.**
USPC **D13/158**
- (58) **Field of Classification Search**
USPC D13/158, 162, 164, 165, 169, 170, 171, D13/173, 174, 177, 184, 199, 125, 160; D10/106.8, 106.6; D8/353
CPC H01H 3/02; H01H 3/0213; H01H 3/12; H01H 3/122; H01H 9/061; H01H 9/02; H01H 9/16; H01H 9/161; H01H 9/18; H01H 9/182; H01H 13/12; H01H 13/04; H01H 13/14; H01H 9/181; H01H 2009/187; H01H 23/00; H05B 39/088
See application file for complete search history.

- (56) **References Cited**
U.S. PATENT DOCUMENTS
D310,814 S * 9/1990 Rosenbaum D13/117
4,973,801 A * 11/1990 Frick H01H 9/286
200/43.19
D327,471 S * 6/1992 Frick D13/158

| | | | | |
|-------------------|---------|-------------|-------|------------|
| D541,222 S * | 4/2007 | Mayo | | H01H 9/286 |
| | | | | D13/162 |
| D582,863 S * | 12/2008 | Ni | | D13/169 |
| D586,761 S * | 2/2009 | Ni | | D13/169 |
| D597,495 S * | 8/2009 | Samuels | | D13/169 |
| D616,837 S * | 6/2010 | Samuels | | D13/170 |
| D616,838 S * | 6/2010 | Samuels | | D13/170 |
| D707,637 S * | 6/2014 | Feldstein | | D13/162 |
| D797,062 S * | 9/2017 | Hakkarainen | | D13/170 |
| D830,857 S * | 10/2018 | Ni | | D10/40 |
| D836,011 S * | 12/2018 | Ni | | D10/53 |
| D836,012 S * | 12/2018 | Ni | | D10/53 |
| D840,362 S * | 2/2019 | Hakkarainen | | D13/170 |
| D851,608 S * | 6/2019 | Zheng | | D13/169 |
| 2009/0256483 A1 * | 10/2009 | Gehman | | H05B 47/19 |
| | | | | 315/129 |

* cited by examiner

Primary Examiner — Rosemary K Tarcza
Assistant Examiner — Seth David Kumpf
(74) *Attorney, Agent, or Firm* — Locke Lord LLP

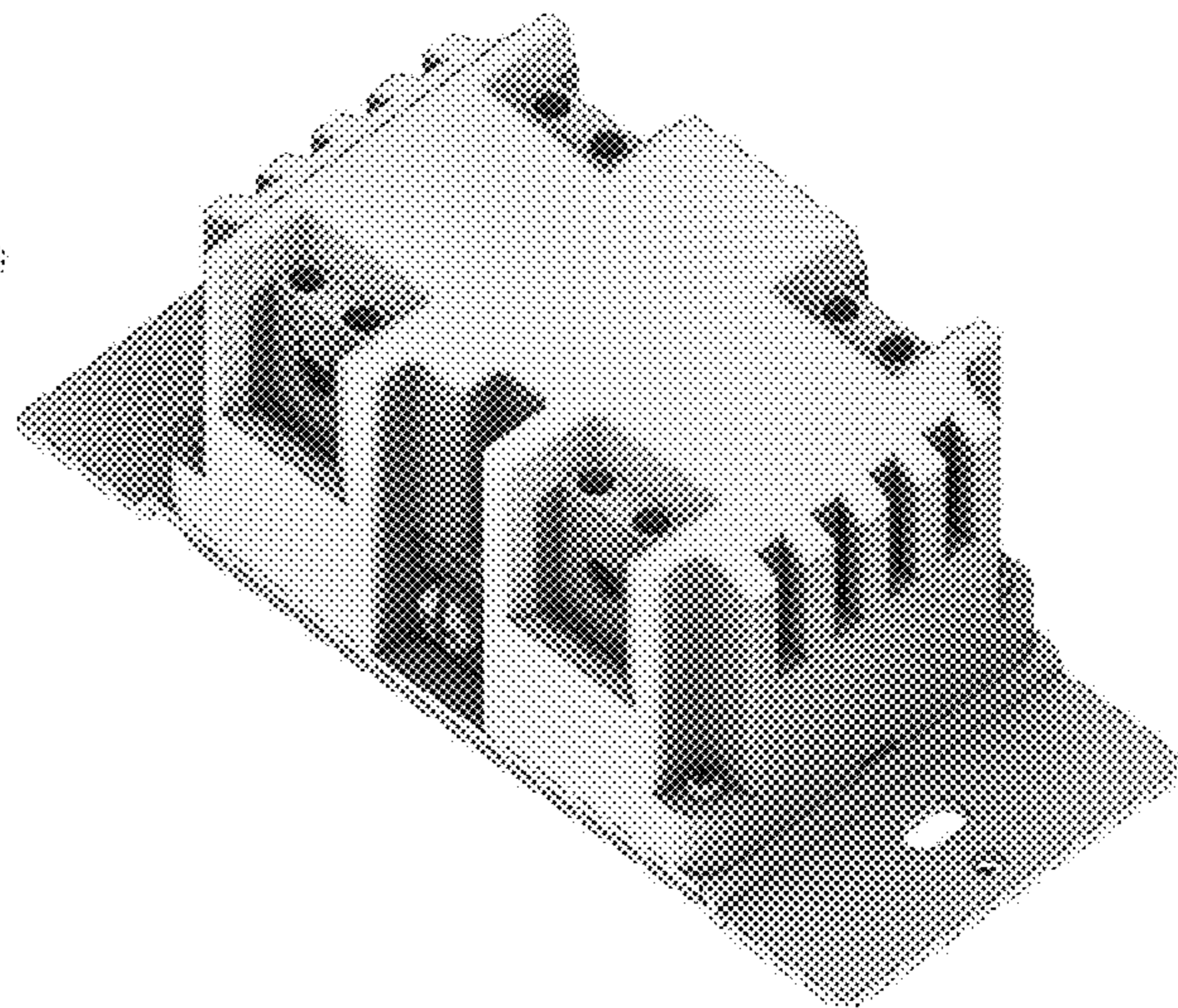
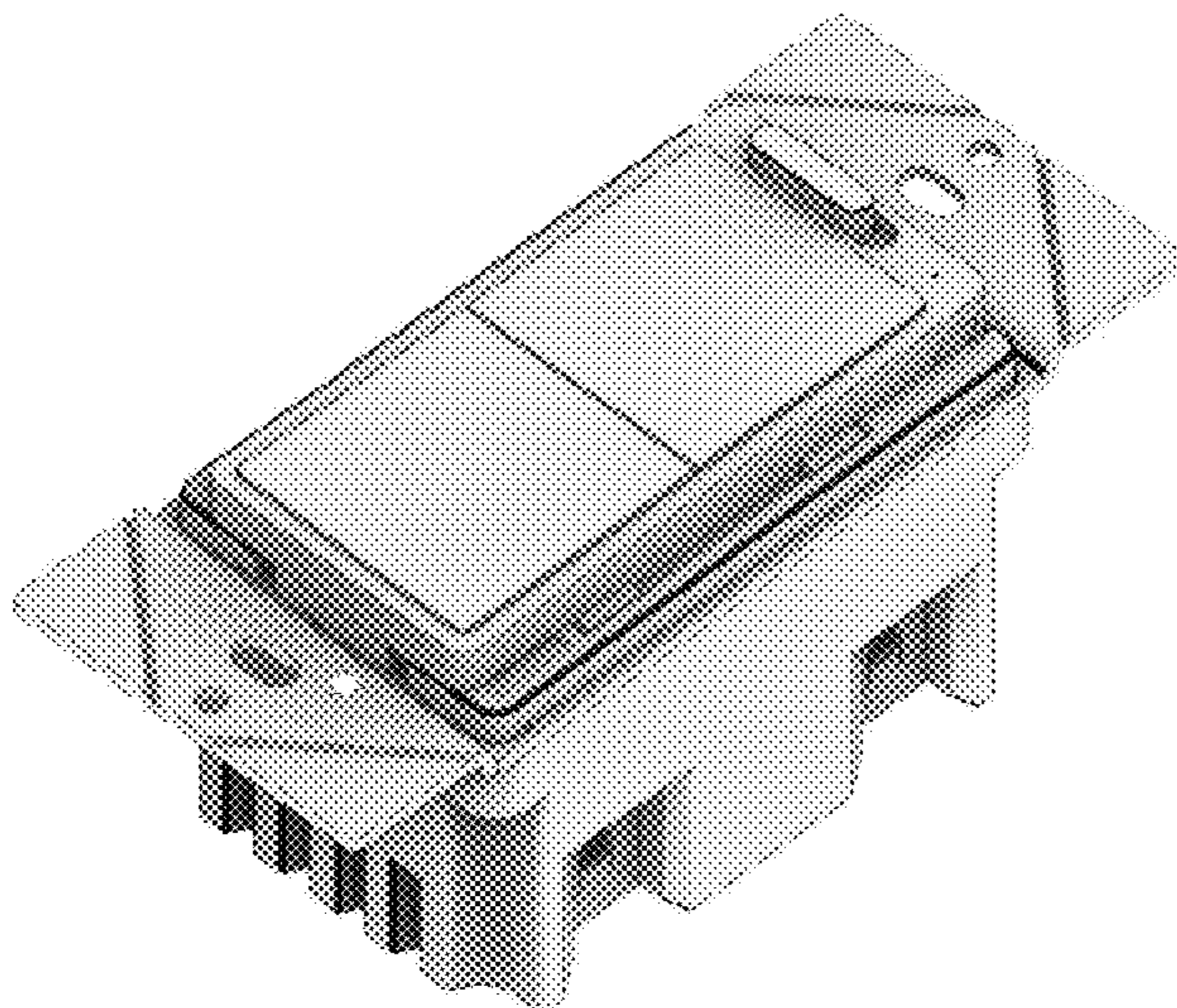
(57) **CLAIM**

The ornamental design for a switch, as shown and described.

DESCRIPTION

FIG. 1 is a front view of the switch;
FIG. 2 is a back view of the switch;
FIG. 3 is a top view of the switch;
FIG. 4 is a bottom view of the switch;
FIG. 5 is a left view of the switch;
FIG. 6 is a right view of the switch;
FIG. 7 is a first perspective of the switch; and,
FIG. 8 is a second perspective of the switch.
The broken lines in the drawings are for the purpose of illustrating portions of the switch that form no part of the claimed design.

1 Claim, 4 Drawing Sheets



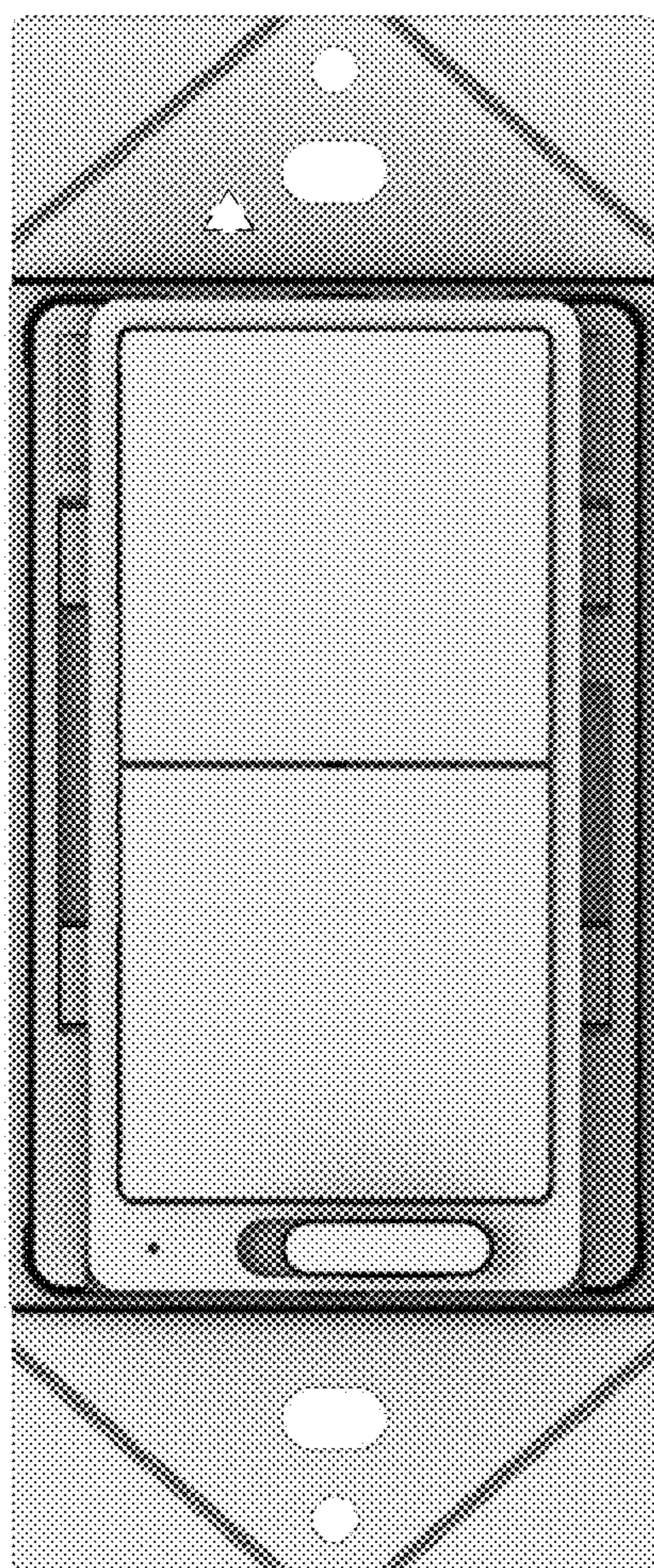


FIG. 1

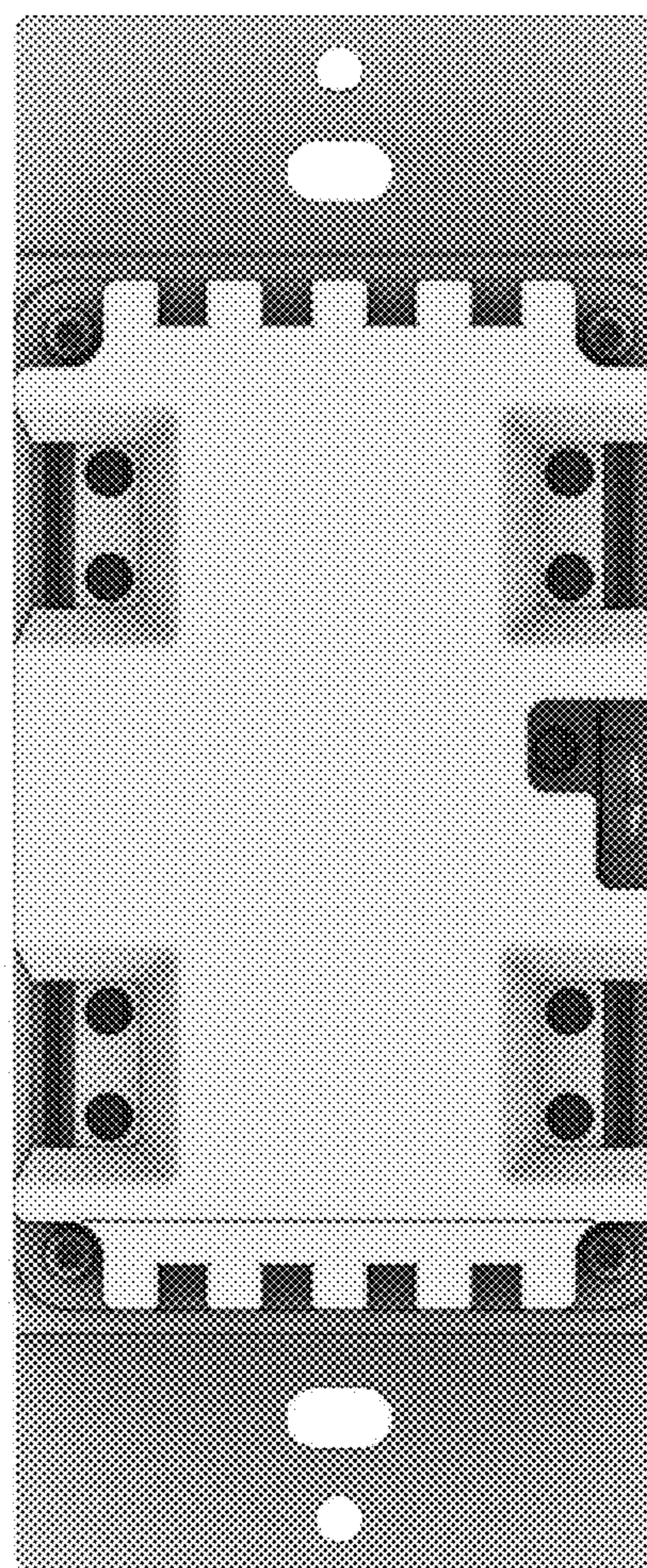


FIG. 2

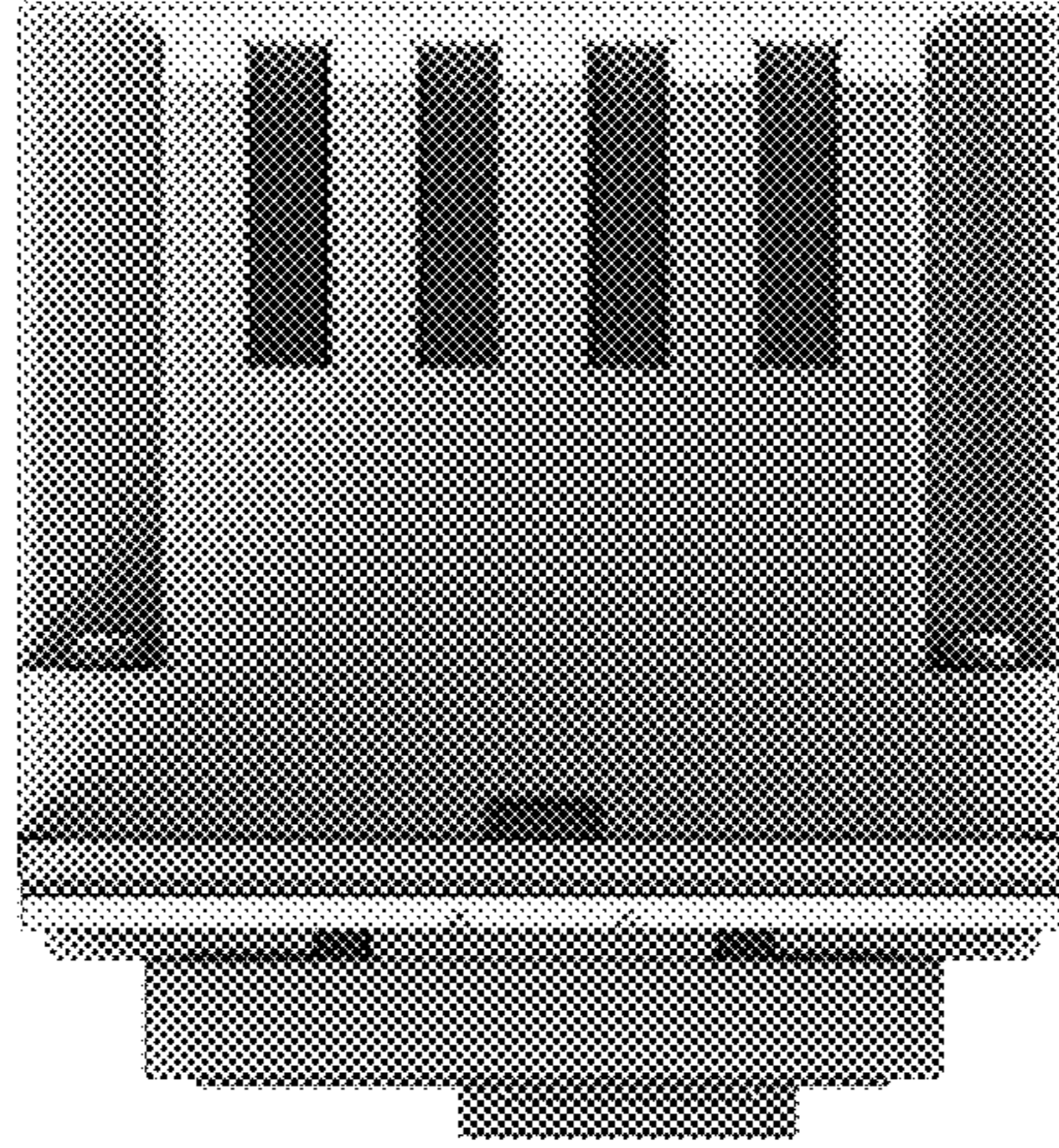


FIG. 3

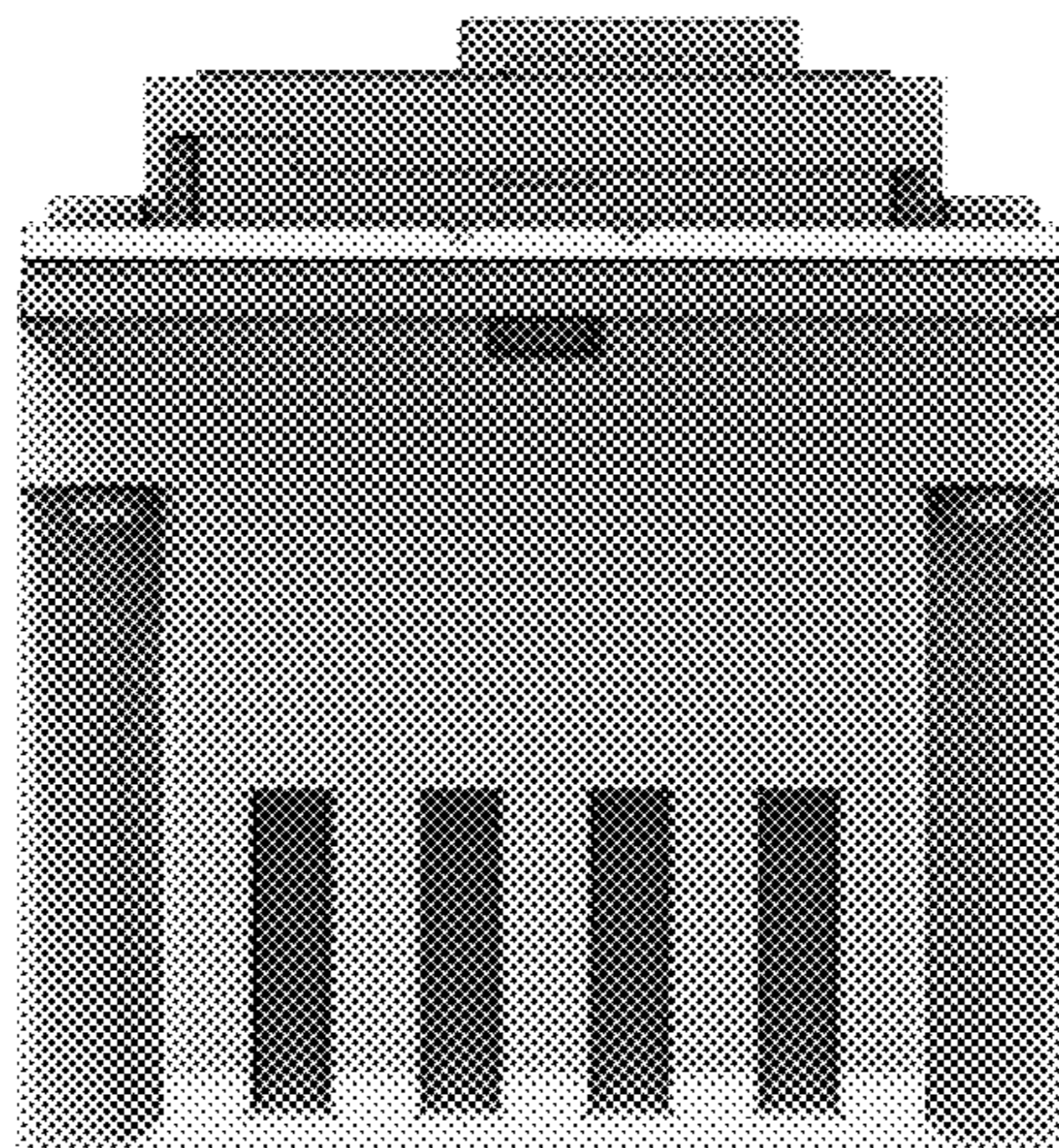


FIG. 4

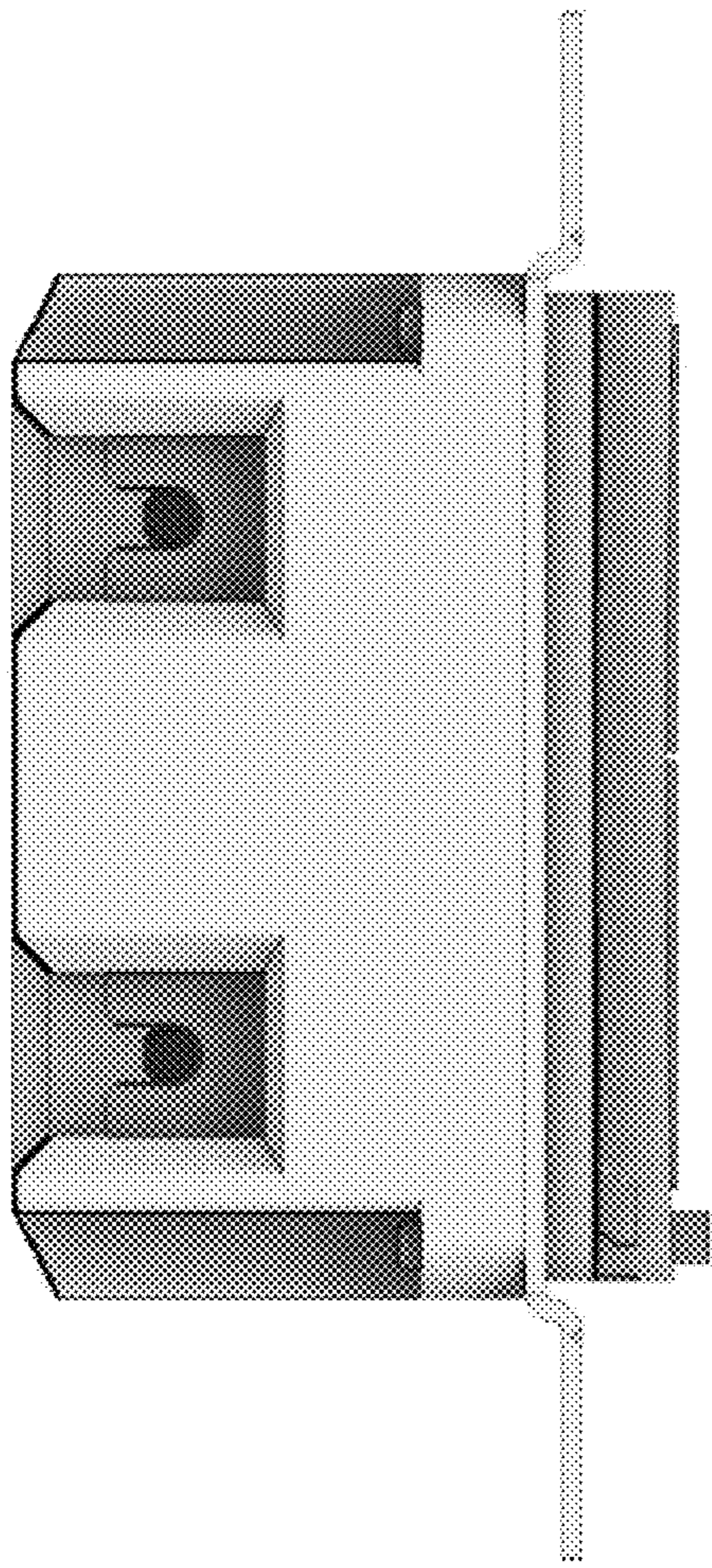


FIG. 5

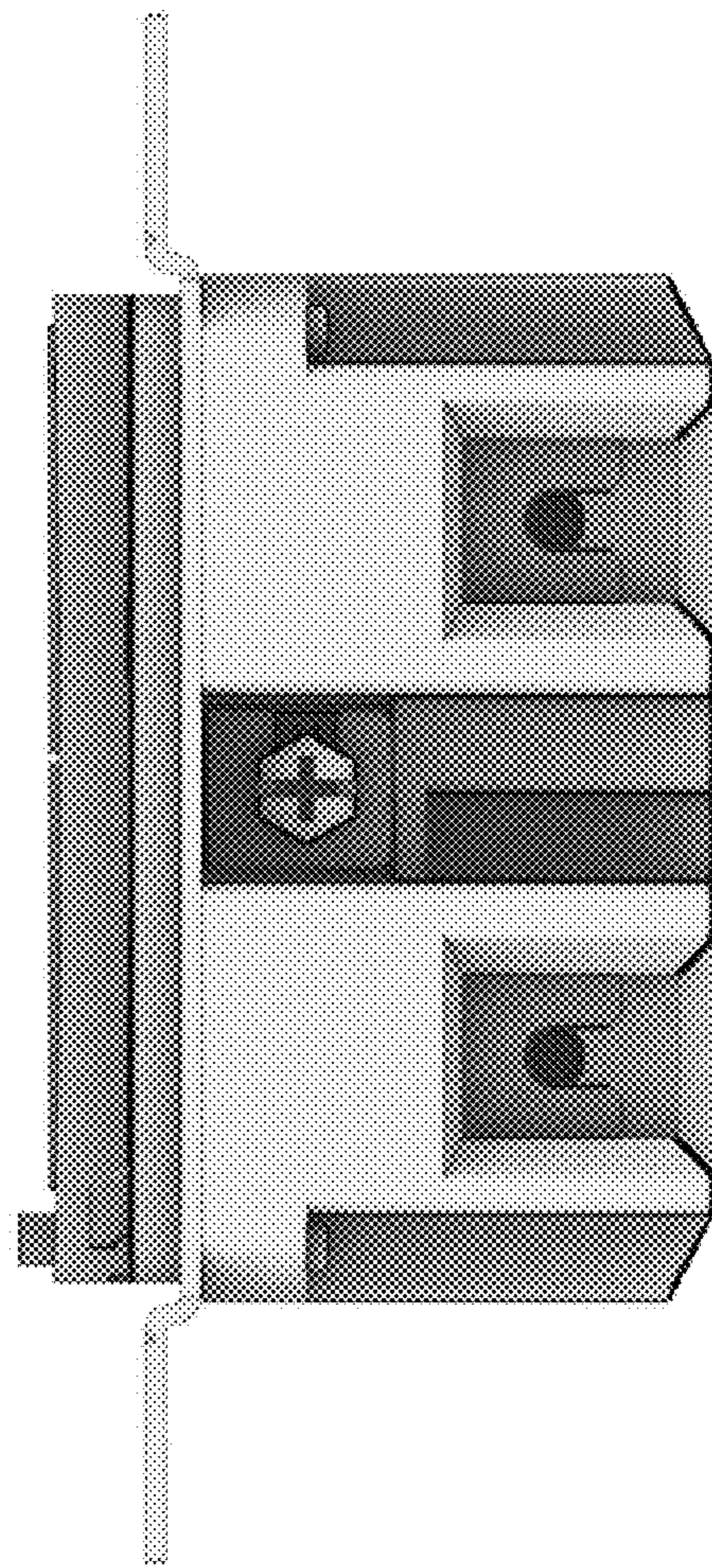


FIG. 6

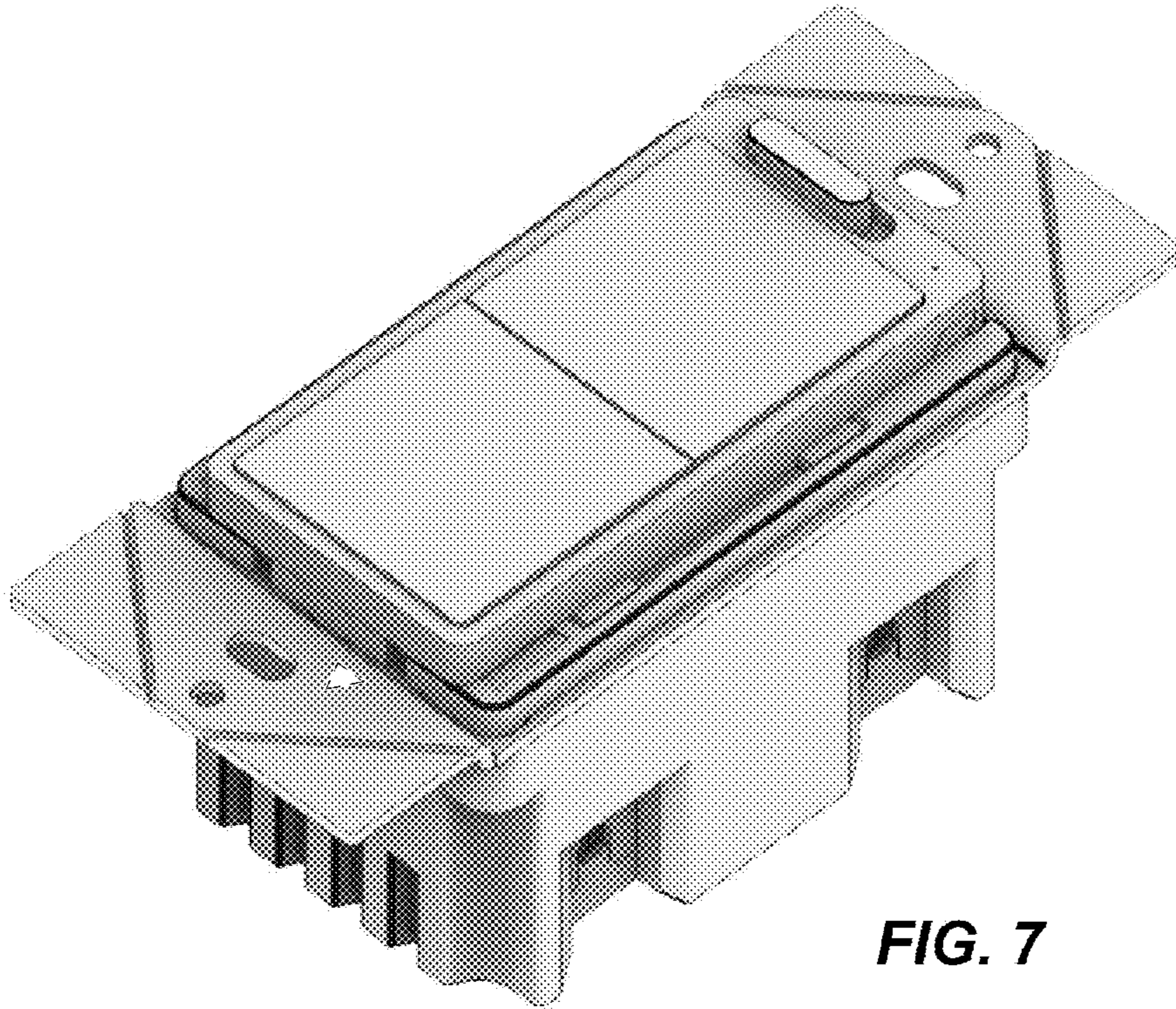


FIG. 7

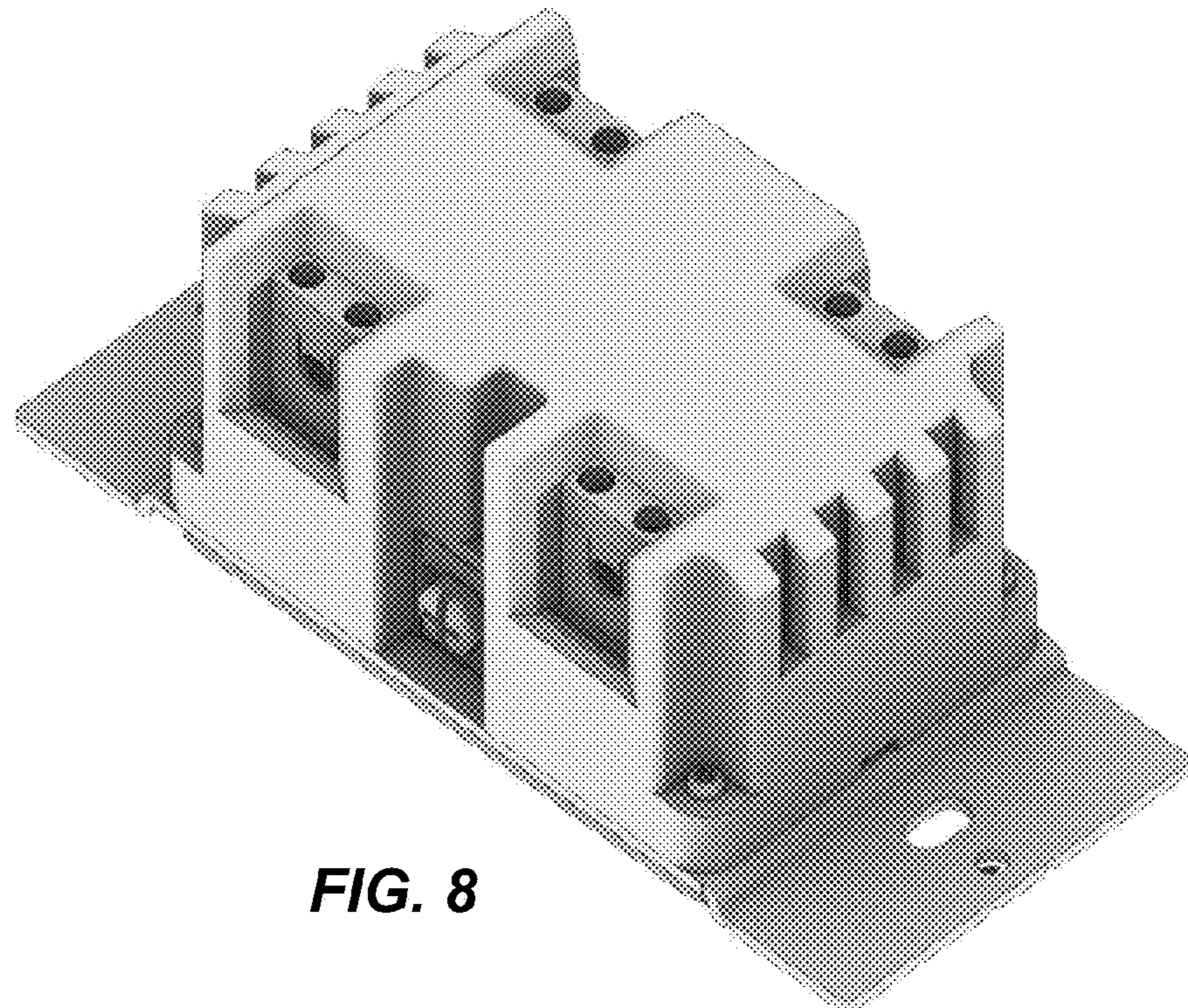


FIG. 8