



US00D931231S

(12) **United States Design Patent**
Zimmer

(10) **Patent No.: US D931,231 S**

(45) **Date of Patent: ** *Sep. 21, 2021**

(54) **PRESSURE SWITCH**

(71) Applicant: **Trent Zimmer**, Houma, LA (US)

(72) Inventor: **Trent Zimmer**, Houma, LA (US)

(*) Notice: This patent is subject to a terminal disclaimer.

(**) Term: **15 Years**

(21) Appl. No.: **29/688,455**

(22) Filed: **Apr. 22, 2019**

(51) **LOC (13) Cl.** **13-03**

(52) **U.S. Cl.**
USPC **D13/158**; D13/171; D22/108

(58) **Field of Classification Search**
USPC D13/101, 123-125, 158-160, 168, 169,
D13/171, 173, 174, 184, 199;
D22/108-110, 199
CPC F41C 23/12; F41C 27/00; G08C 17/02;
H01H 13/70; H01H 47/22; H01R 24/58;
H01R 27/02; H01R 33/88; H01R 33/955;
H05K 5/00
See application file for complete search history.

(56) **References Cited**

U.S. PATENT DOCUMENTS

D202,622	S	*	10/1965	Scanlon	D13/171
D281,580	S	*	12/1985	Stevens	D9/415
D316,539	S	*	4/1991	Judd	D13/158
D319,628	S	*	9/1991	Whitley, II	D13/171
D335,281	S	*	5/1993	Thummel	D13/158
D415,117	S	*	10/1999	Belinky	D12/162
D526,968	S	*	8/2006	Castaldo	D13/158
D538,237	S	*	3/2007	Castaldo	D13/158
D605,606	S	*	12/2009	Zheng	D13/171
D621,791	S	*	8/2010	Koskela	D13/158
D674,858	S	*	1/2013	Galli	D22/108
D747,432	S	*	1/2016	Cheng	D22/109
D757,125	S	*	5/2016	Furuki	D15/28

9,577,694	B1	*	2/2017	Albee	G06F 1/1632
D796,050	S	*	8/2017	Nishikawa	D24/186
D807,981	S	*	1/2018	Cheng	D22/108

(Continued)

OTHER PUBLICATIONS

LaRue Tactical, dated 2014, [online], [site visited Jun. 26, 2020]. Available from Internet, URL: <https://www.larue.com/products/surefire-xt07-switch/#reviews-tab> (Year: 2014).*

(Continued)

Primary Examiner — Shawn T Gingrich

(74) *Attorney, Agent, or Firm* — F. Wayne Thompson, Jr.; Asgaard Patent Services, LLC

(57) **CLAIM**

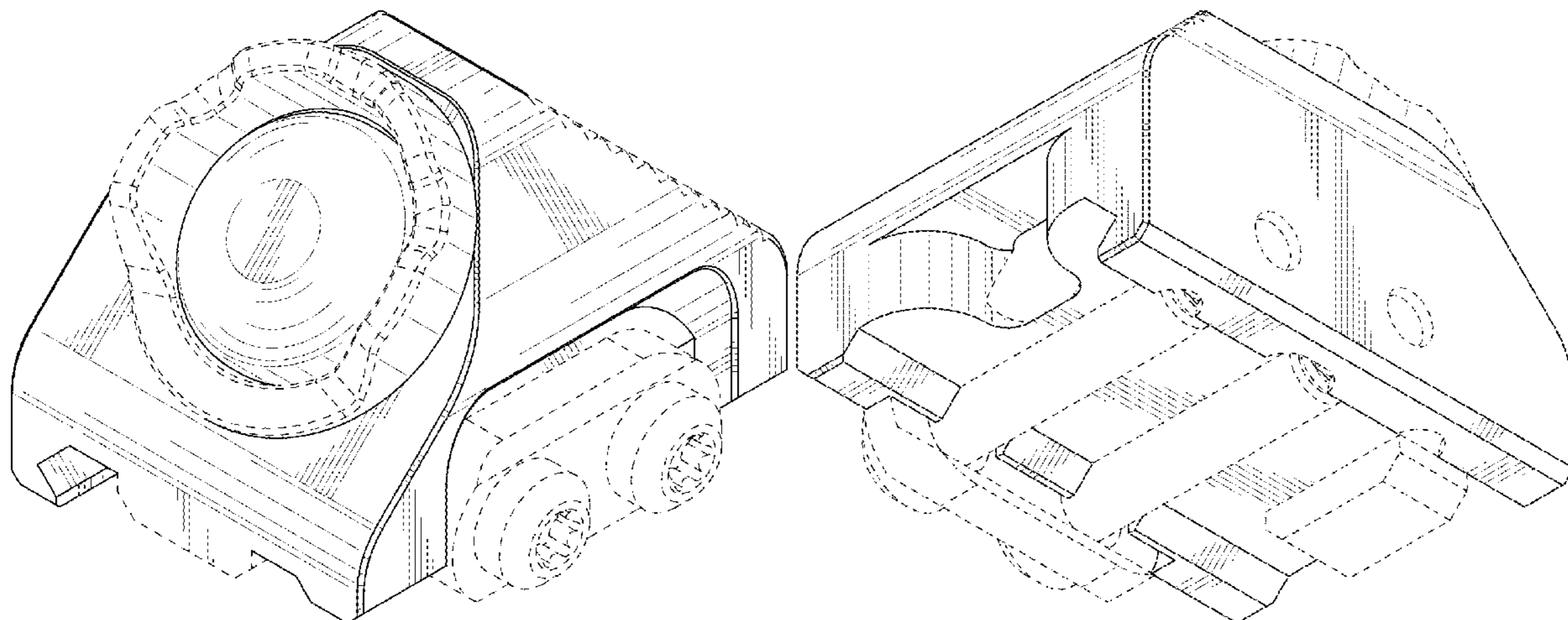
The ornamental design for a pressure switch, as shown and described.

DESCRIPTION

FIG. 1 is an isometric view of an embodiment of a pressure switch;
FIG. 2 is another isometric view of the pressure switch shown in FIG. 1;
FIG. 3 is a front view of the pressure switch shown in FIG. 1;
FIG. 4 is a right side view of the pressure switch shown in FIG. 1;
FIG. 5 is a rear view of the pressure switch shown in FIG. 1;
FIG. 6 is a left side view of the pressure switch shown in FIG. 1;
FIG. 7 is a top view of the pressure switch shown in FIG. 1;
and,
FIG. 8 is a bottom view of the pressure switch shown in FIG. 1.

The broken lines shown in the drawings represent portions of the pressure switch that form no part of the claimed design.

1 Claim, 5 Drawing Sheets



(56)

References Cited

U.S. PATENT DOCUMENTS

D808,489 S * 1/2018 Cheng D22/108
D818,555 S * 5/2018 Faxon D22/108
D841,758 S * 2/2019 Novak F41A 35/00
D22/108
D906,988 S * 1/2021 Zimmer D13/158
D907,160 S * 1/2021 McCoy, II D22/108
2012/0144991 A1 * 6/2012 Hayden F41G 5/06
89/41.02
2014/0248568 A1 * 9/2014 Deng A47J 37/074
431/89
2016/0211095 A1 * 7/2016 Zimmer F41C 27/00
2020/0143667 A1 * 5/2020 Zimmer H01R 33/955

OTHER PUBLICATIONS

Defense Review, dated Jun. 11, 2019, [online], [site visited Jun. 26, 2020]. Available from Internet, URL: <https://www.defensereview.com/unity-tactical-hot-button-mlok-remote-pressure-switch-for-your-tactical-ar-15-rifle-carbine-sbr-white-light-and-laser-aimer-illuminator-video/> (Year: 2019).*

Fenix AER-02 V2.0 tactical remote switch, dated Aug. 2, 2016, [online], [site visited Jun. 26, 2020]. Available from Internet, URL: <https://www.knivesandtools.com/en/pt/-fenix-aer-02-remote-tailcap.htm> (Year: 2016).*

Unity Tactical Hot Botton, dated May 11, 2019, [online], [site visited Jun. 26, 2020]. Available from Internet, URL: <https://www.unitytactical.com/product-category/hot-button/> (Year: 2019).*

* cited by examiner

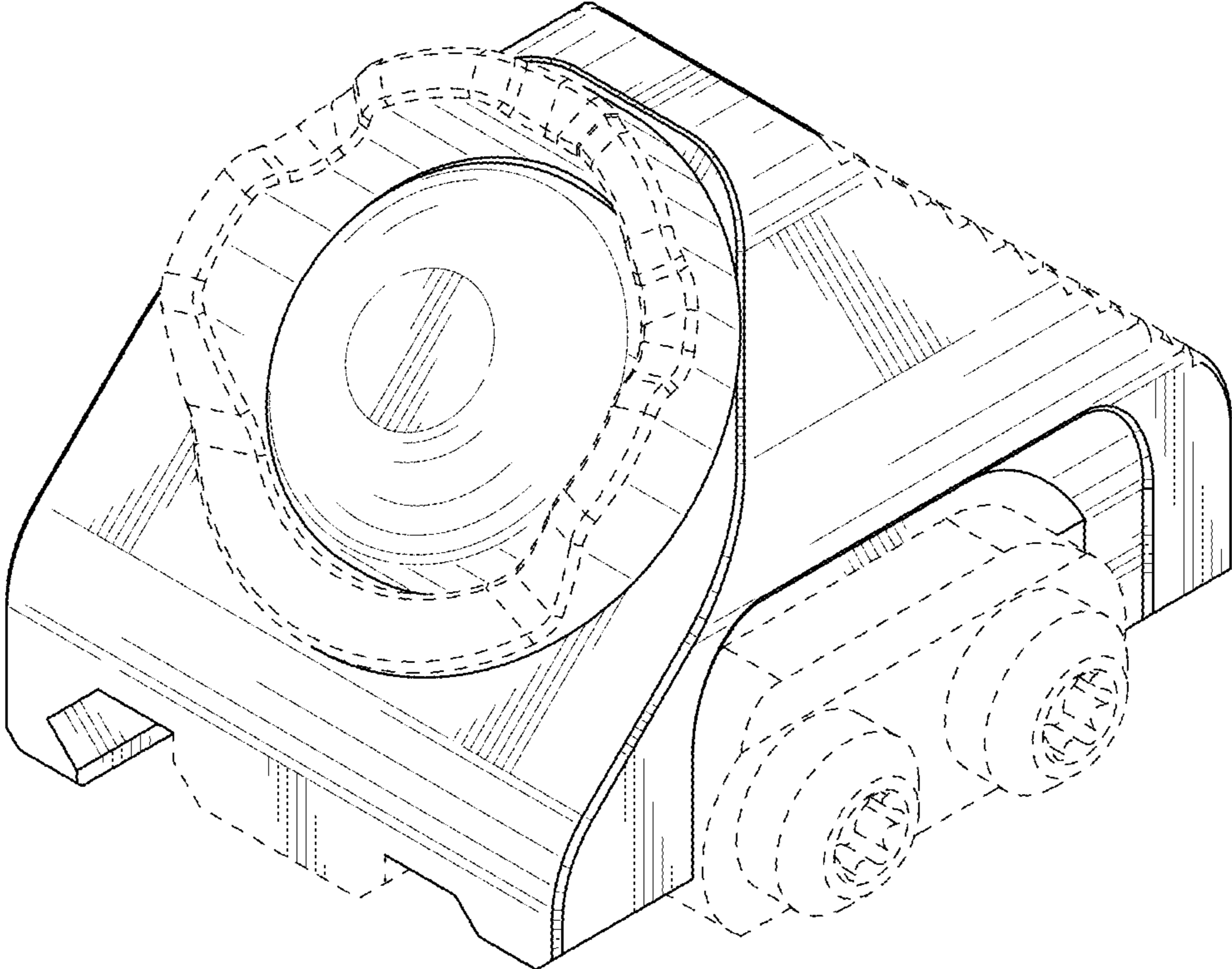


FIG. 1

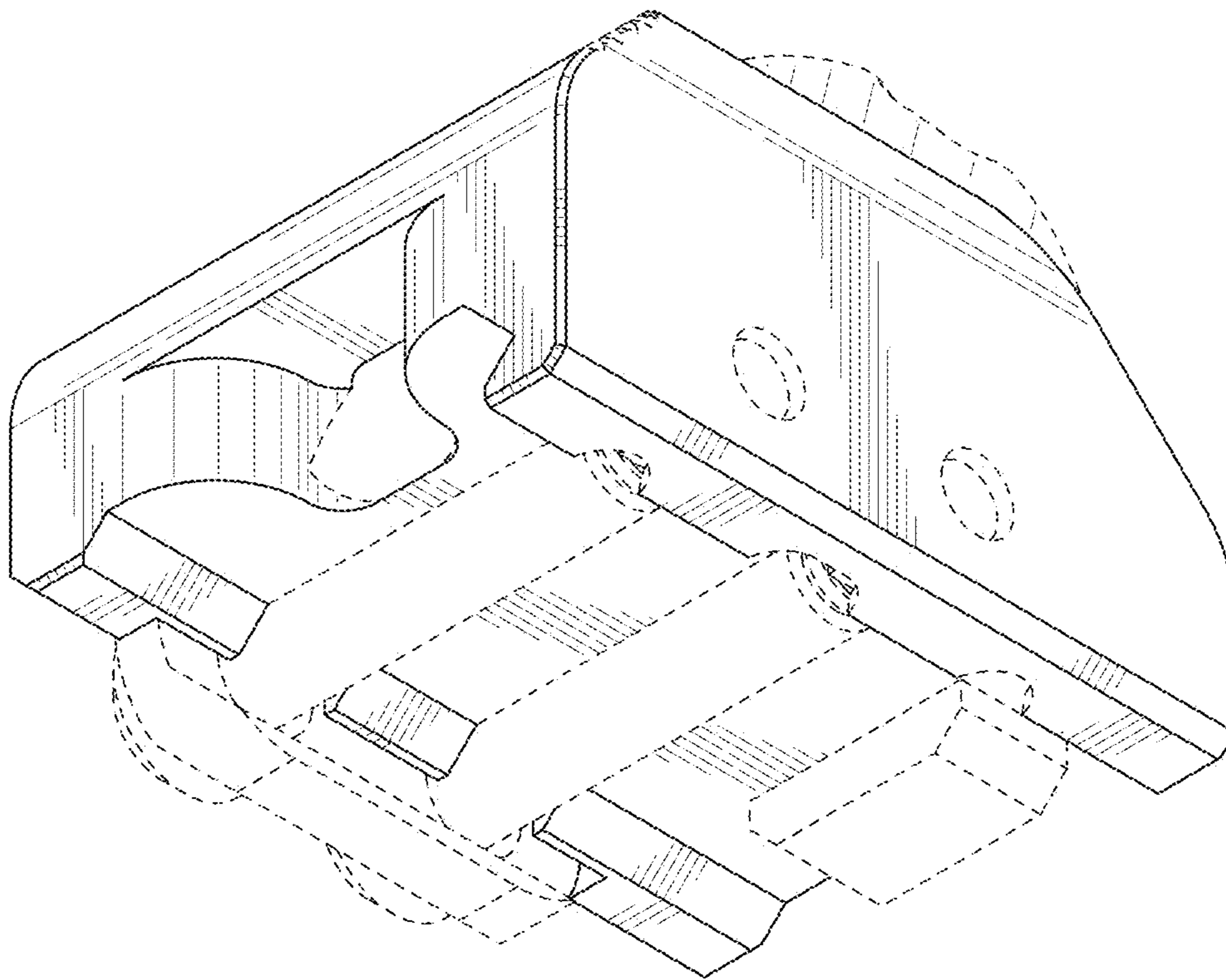


FIG. 2

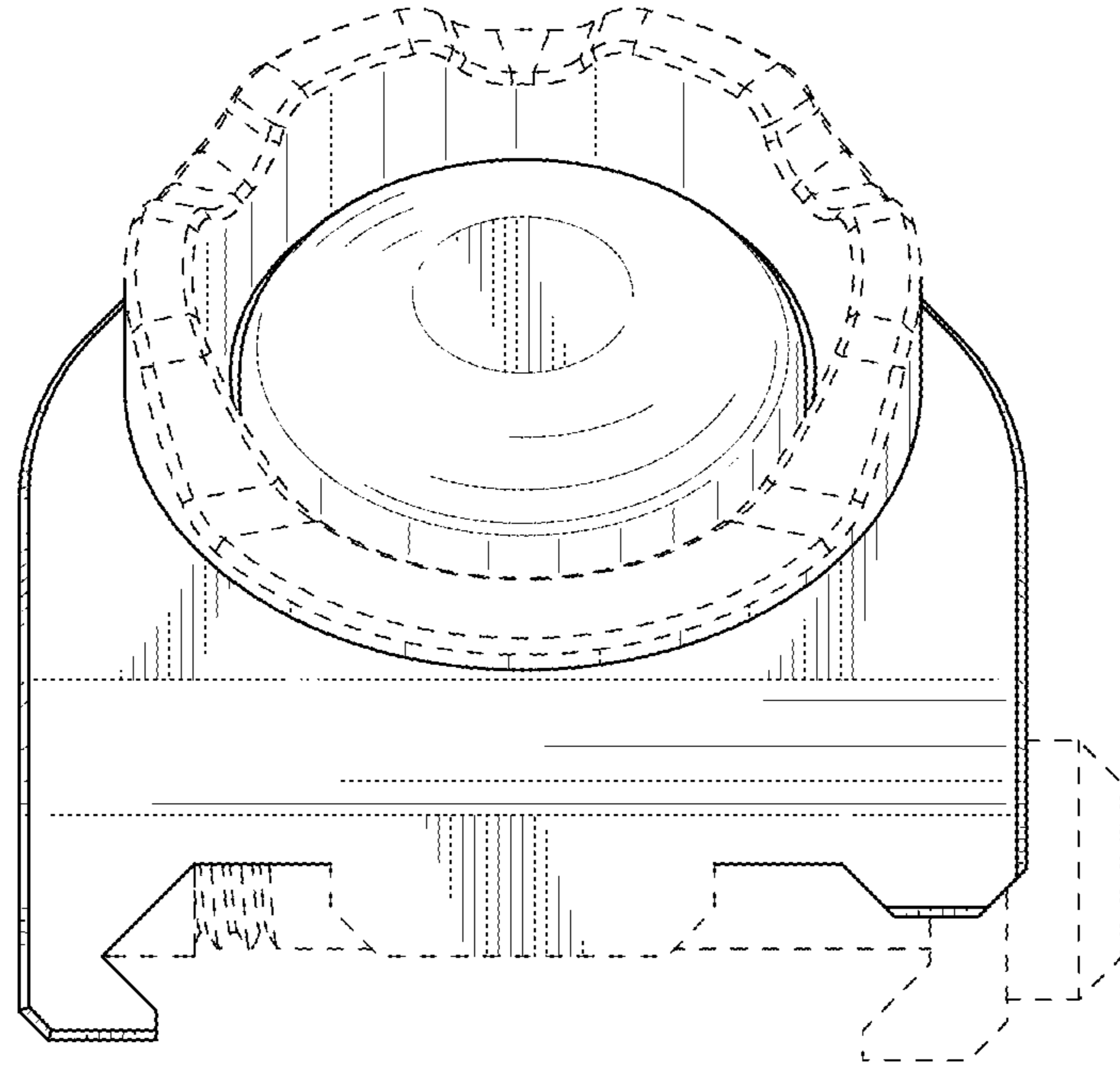


FIG. 3

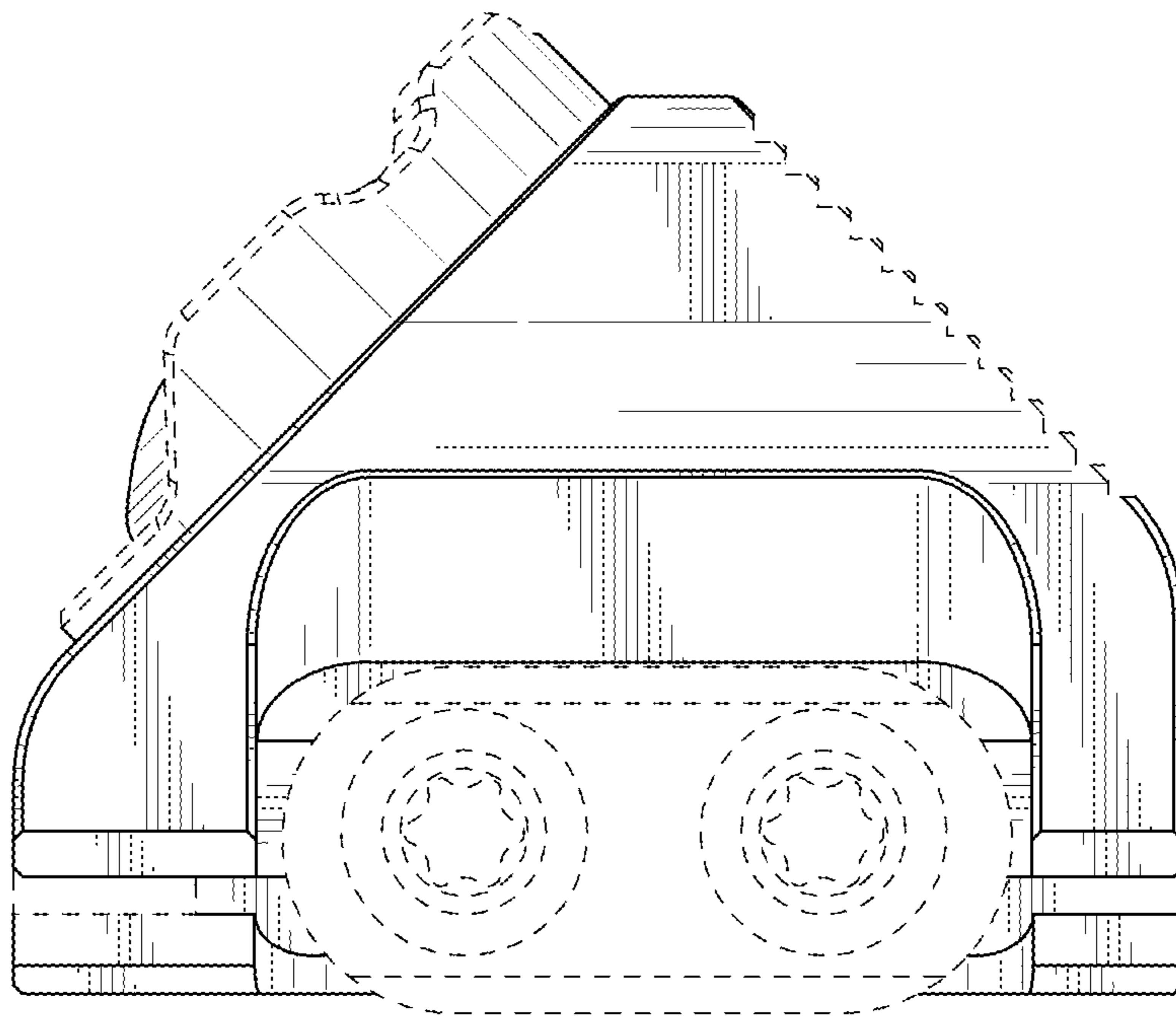


FIG. 4

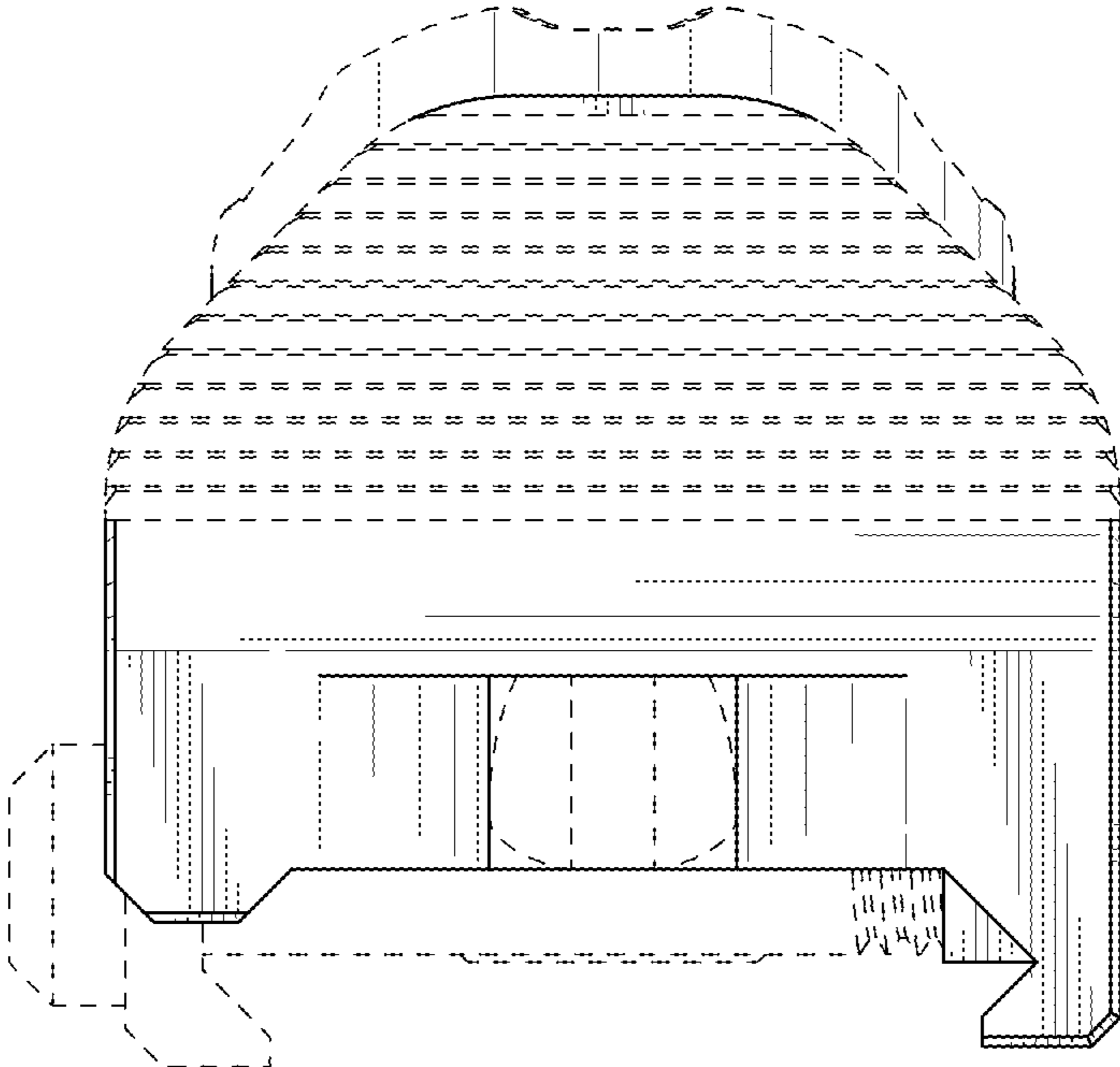


FIG. 5

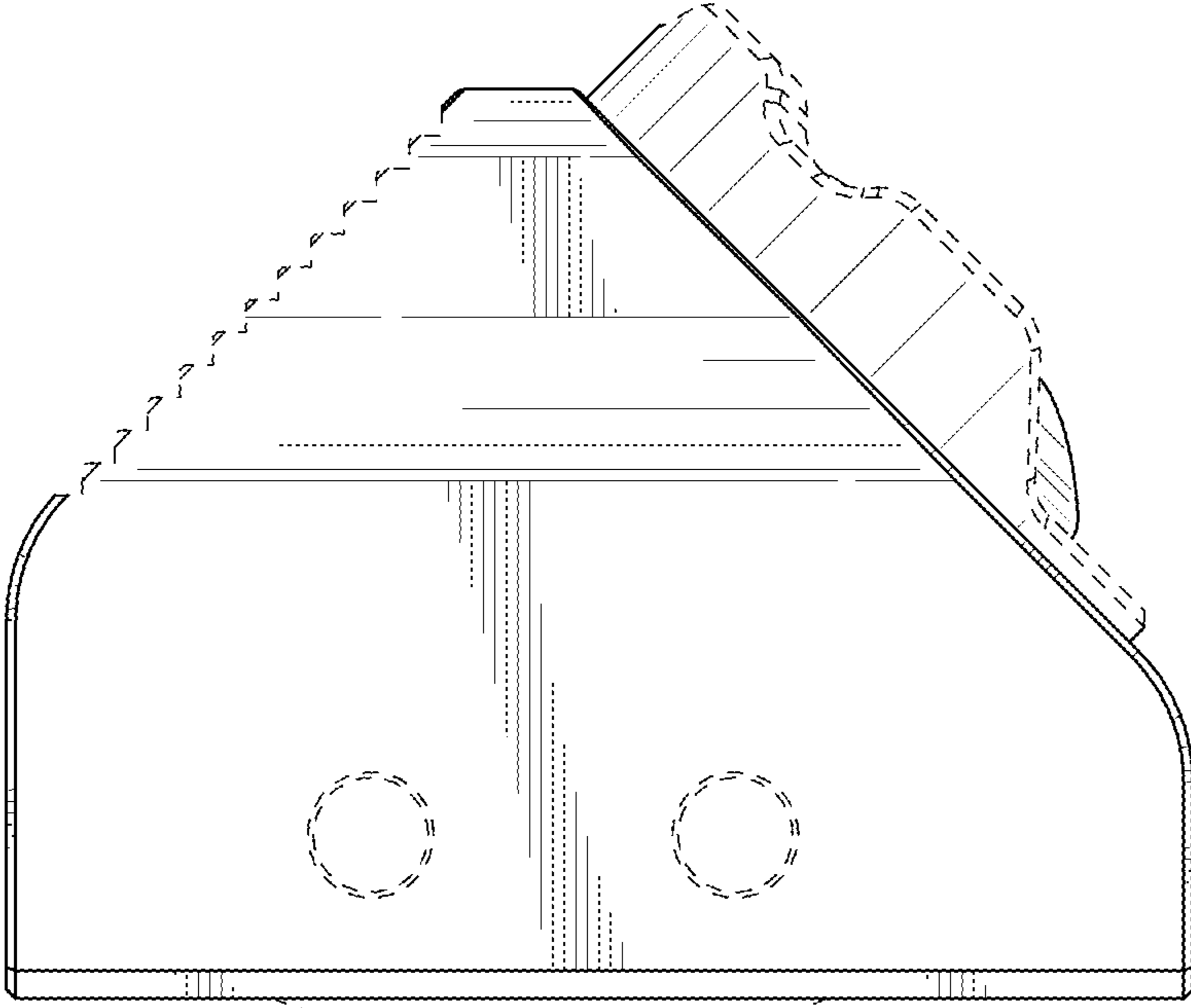


FIG. 6

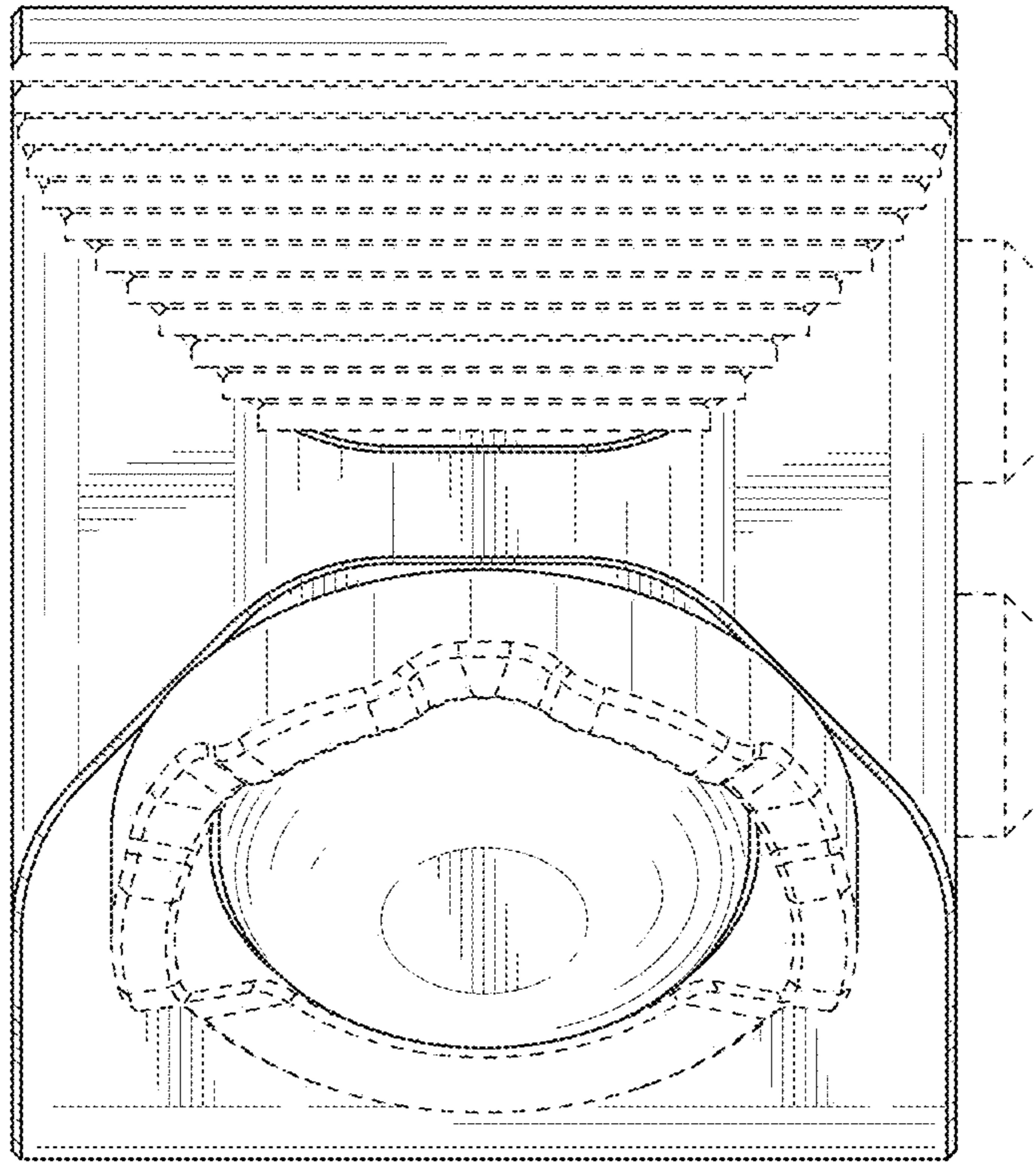


FIG. 7

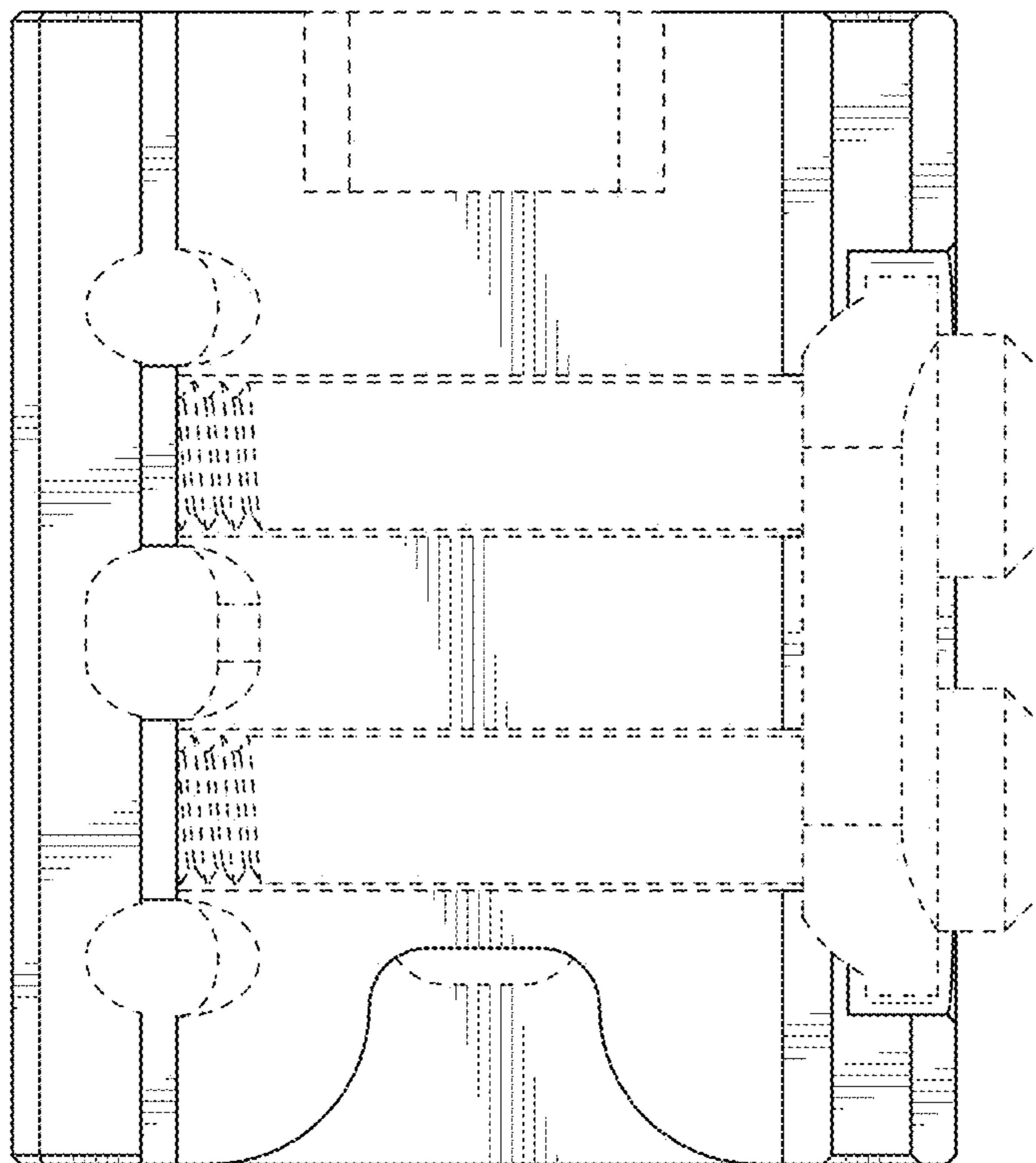


FIG. 8