



US00D931230S

(12) **United States Design Patent** (10) **Patent No.:** **US D931,230 S**  
**C et al.** (45) **Date of Patent:** **\*\* Sep. 21, 2021**

(54) **CONNECTOR SHROUD**

(71) Applicant: **Molex, LLC**, Lisle, IL (US)

(72) Inventors: **Krishnamurthy C**, Bangalore (IN);  
**Harsha Thyagaraj**, Bangalore (IN);  
**Pierre Perez**, Aurora, IL (US)

(73) Assignee: **Molex, LLC**, Lisle, IL (US)

(\*\*) Term: **15 Years**

(21) Appl. No.: **29/700,165**

(22) Filed: **Jul. 31, 2019**

(51) **LOC (13) Cl.** ..... **13-03**

(52) **U.S. Cl.**  
USPC ..... **D13/156**

(58) **Field of Classification Search**  
USPC ..... D13/110, 156, 133, 155, 184, 154, 162,  
D13/152, 118, 120  
CPC ..... H01R 13/41; H01R 13/52; H02G 3/086;  
Y10T 16/46  
See application file for complete search history.

(56) **References Cited**

**U.S. PATENT DOCUMENTS**

D603,085 S	*	10/2009	Kovacs	.....	D26/113
D633,870 S	*	3/2011	Thommes	.....	D13/139.1
D675,167 S	*	1/2013	Smith	.....	D13/156
D726,364 S	*	4/2015	Weigensberg	.....	D27/101
D726,950 S		4/2015	Serwacki et al.		
D745,211 S		12/2015	Serwacki et al.		
D747,540 S		1/2016	Serwacki et al.		
D772,170 S	*	11/2016	Watanabe	.....	D13/156
D911,965 S	*	3/2021	C	.....	D13/133
D913,964 S	*	3/2021	Smith	.....	D13/156
2012/0322298 A1	*	12/2012	Aime	.....	H01R 13/04 439/510
2018/0375310 A1	*	12/2018	Elliott	.....	H01R 13/512

(Continued)

*Primary Examiner* — Jennifer O King

(74) *Attorney, Agent, or Firm* — Banner & Witcoff, Ltd.

(57) **CLAIM**

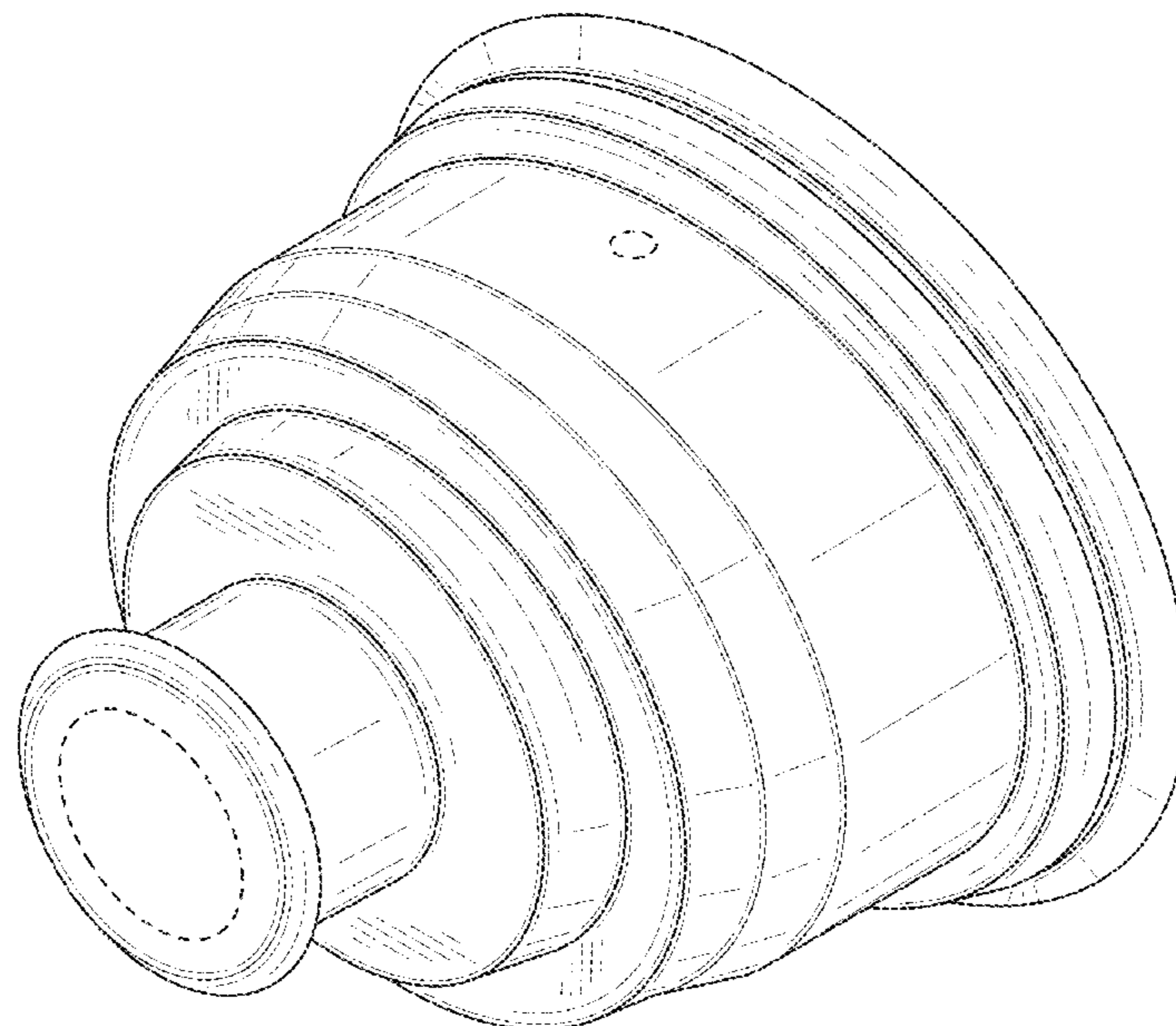
The ornamental design for a connector shroud, as shown and described.

**DESCRIPTION**

FIG. 1 is a front perspective view of a connector shroud showing our new design;  
 FIG. 2 is a rear perspective view thereof;  
 FIG. 3 is a front view thereof;  
 FIG. 4 is a rear view thereof;  
 FIG. 5 is a right side view thereof;  
 FIG. 6 is a left side view thereof;  
 FIG. 7 is a top view thereof;  
 FIG. 8 is a bottom view thereof;  
 FIG. 9 is a front perspective view of an alternate embodiment of a connector shroud showing our new design;  
 FIG. 10 is a rear perspective view thereof;  
 FIG. 11 is a front view thereof;  
 FIG. 12 is a rear view thereof;  
 FIG. 13 is a right side view thereof;  
 FIG. 14 is a left side view thereof;  
 FIG. 15 is a top view thereof;  
 FIG. 16 is a bottom view thereof;  
 FIG. 17 is a front perspective view of an alternate embodiment of a connector shroud showing our new design;  
 FIG. 18 is a rear perspective view thereof;  
 FIG. 19 is a front view thereof;  
 FIG. 20 is a rear view thereof;  
 FIG. 21 is a right side view thereof;  
 FIG. 22 is a left side view thereof;  
 FIG. 23 is a top view thereof; and,  
 FIG. 24 is a bottom view thereof.

The broken line showing of the circular regions and the unshaded areas therein form no part of the claimed design.

**1 Claim, 24 Drawing Sheets**



(56)

**References Cited**

U.S. PATENT DOCUMENTS

2019/0280425 A1\* 9/2019 Baba ..... H01R 13/639  
2019/0356075 A1\* 11/2019 Grant ..... H01R 43/005

\* cited by examiner

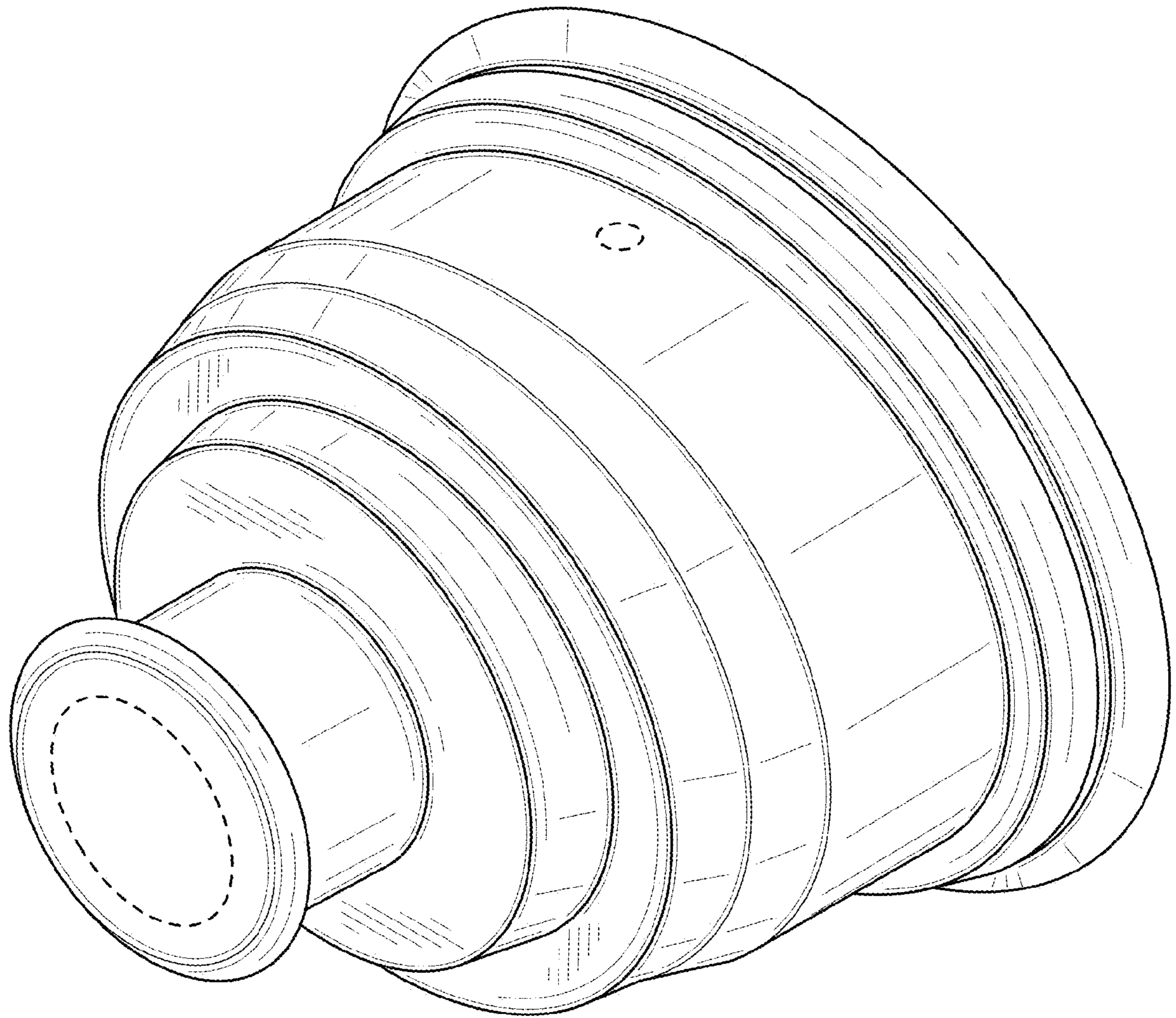


FIG. 1

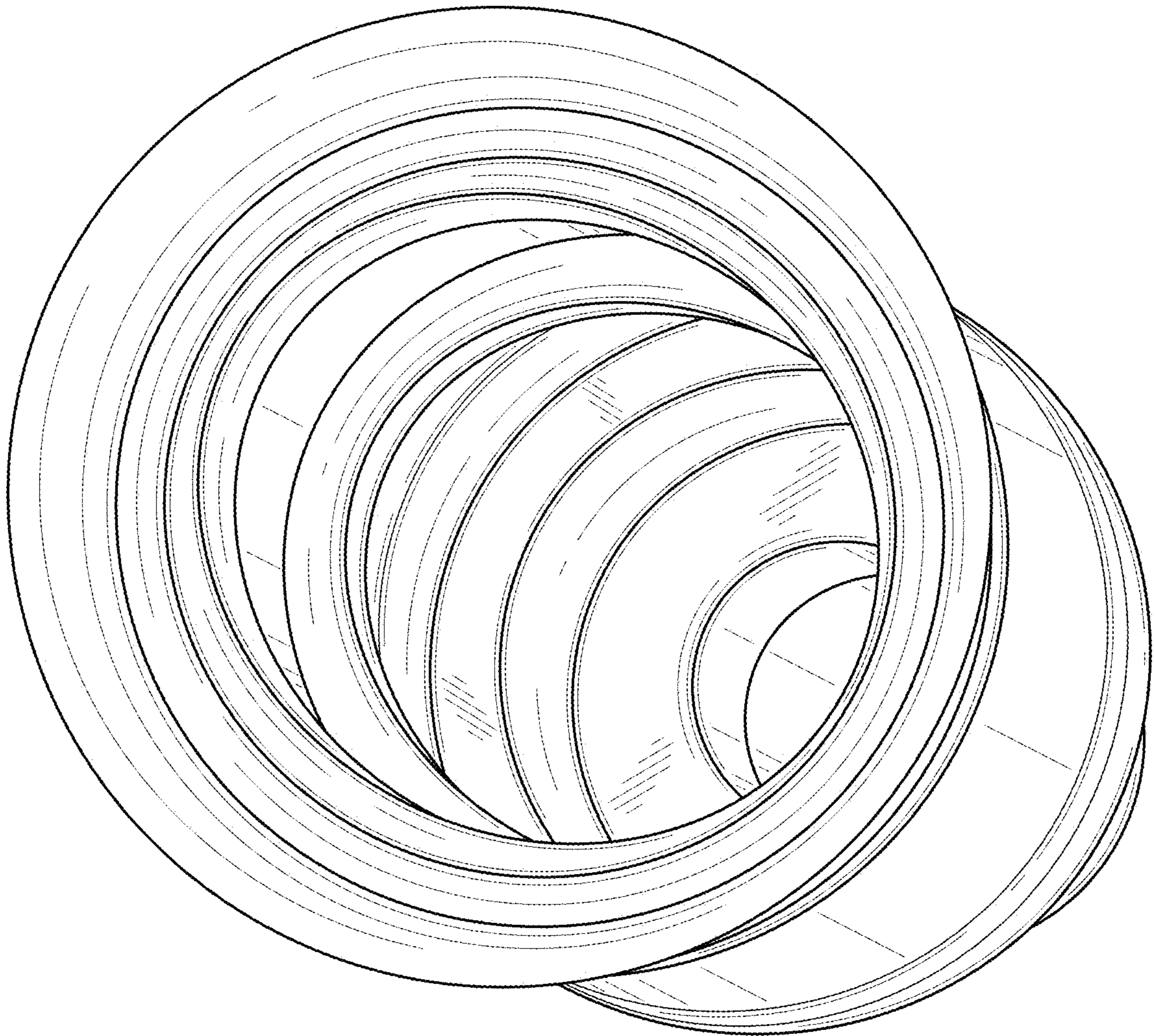


FIG. 2

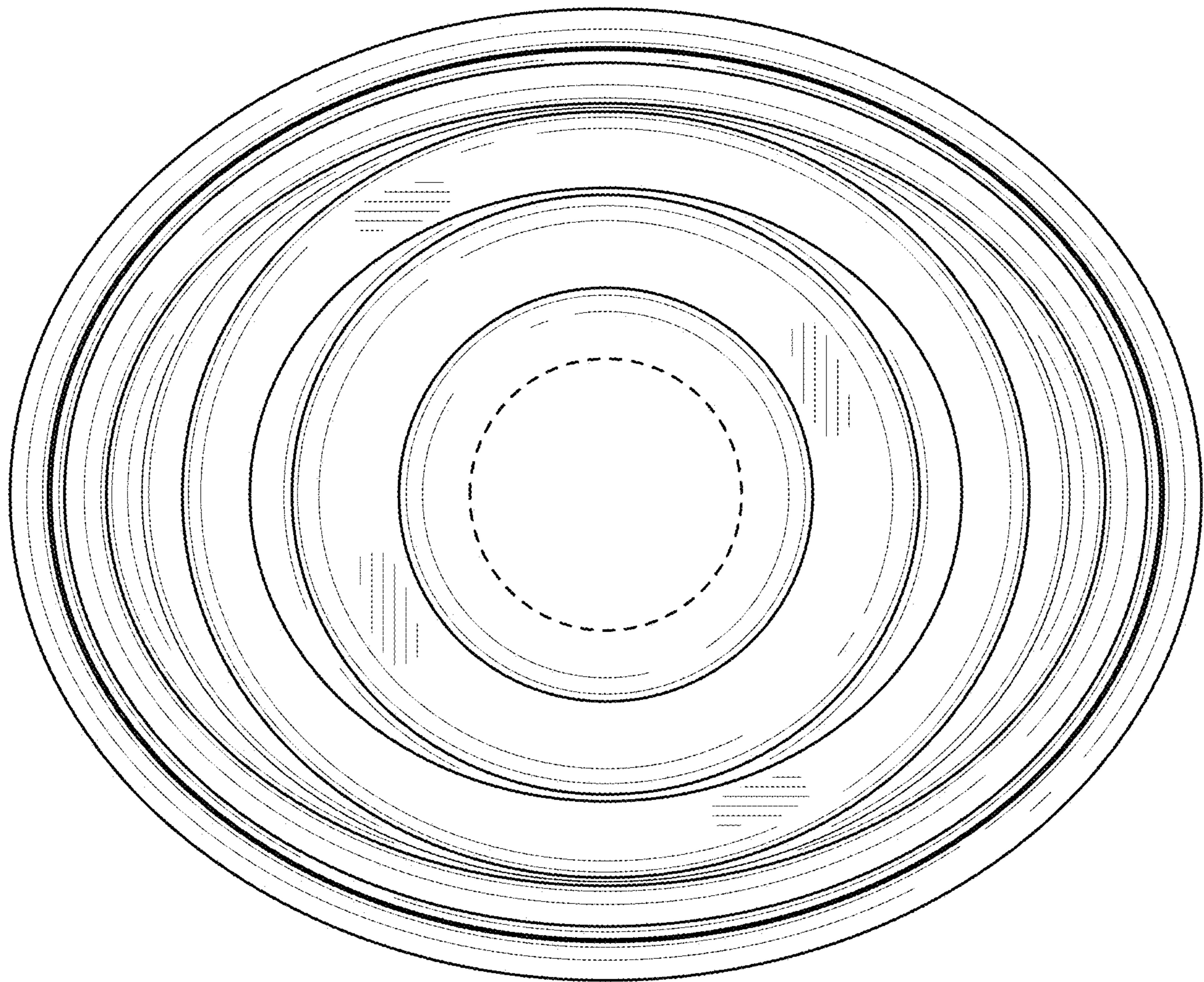


FIG. 3

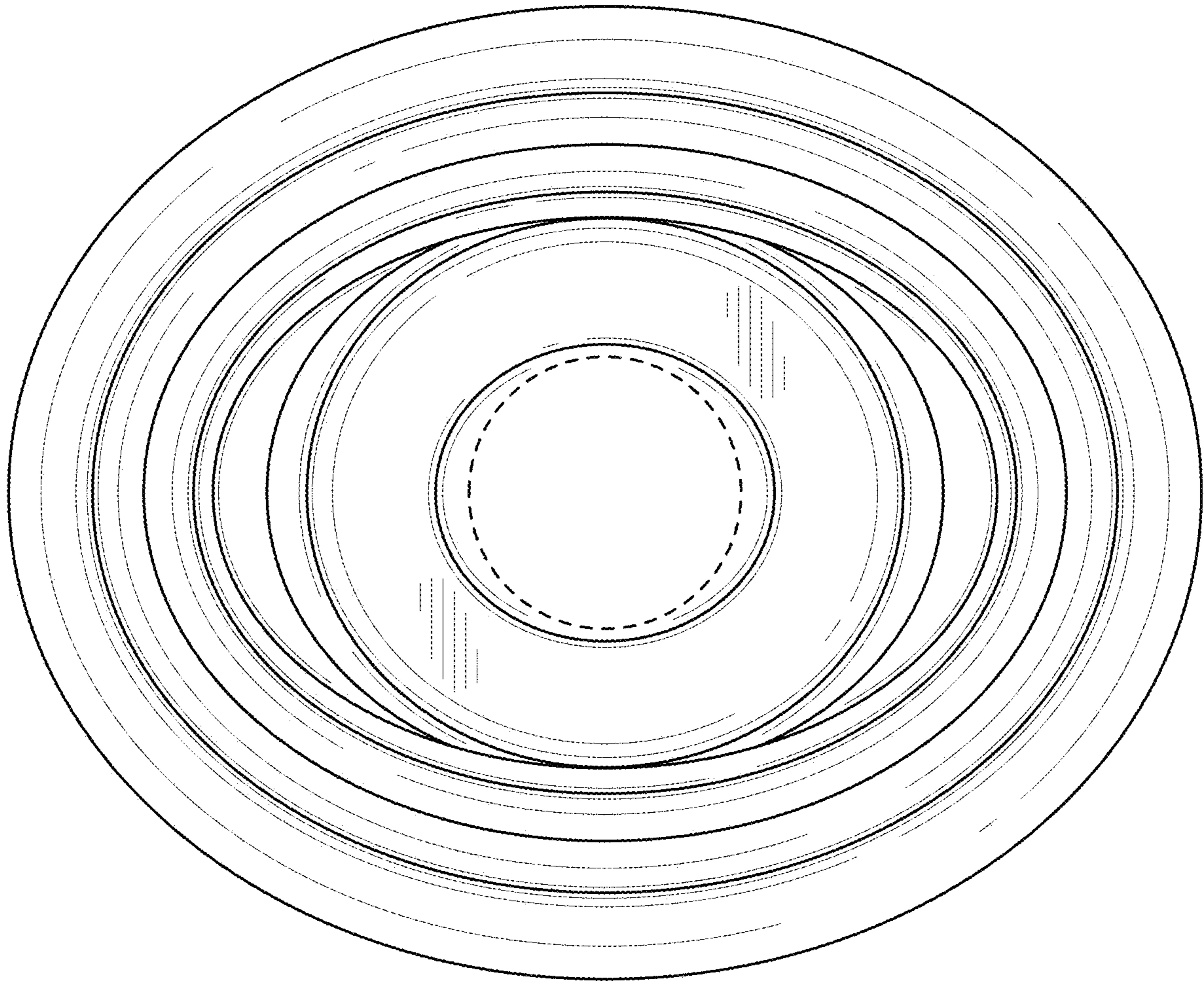


FIG. 4

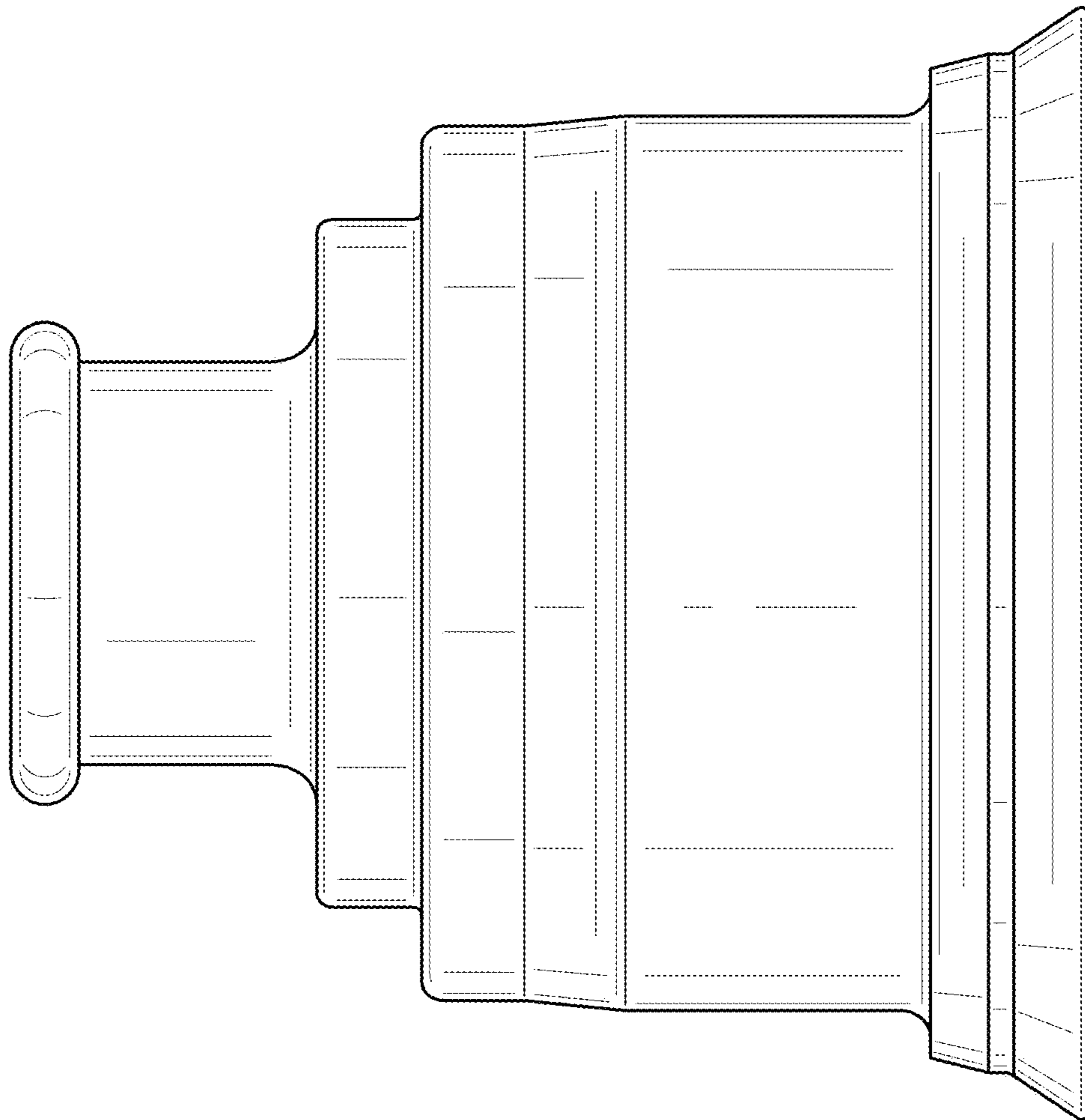


FIG. 5

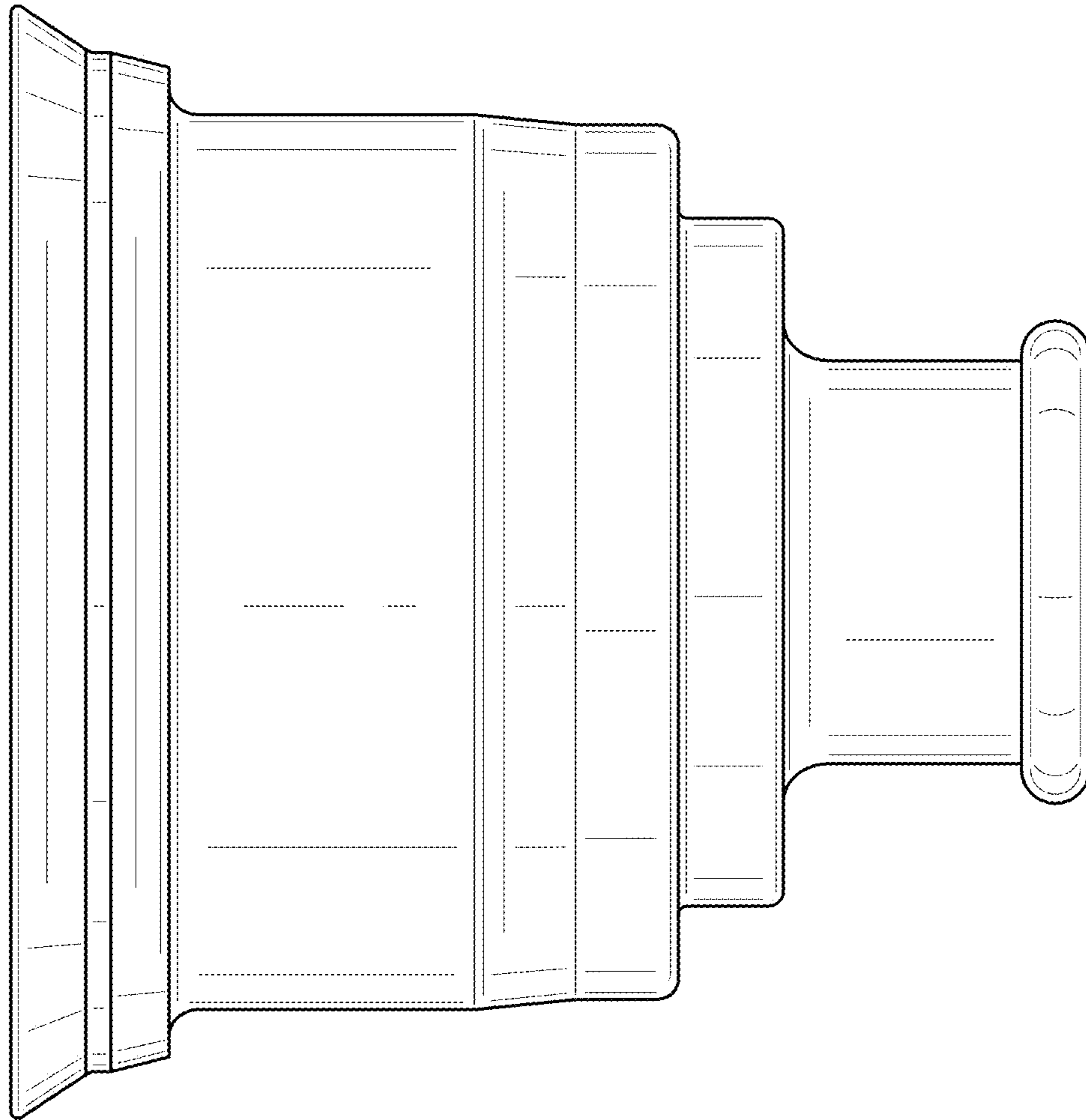


FIG. 6



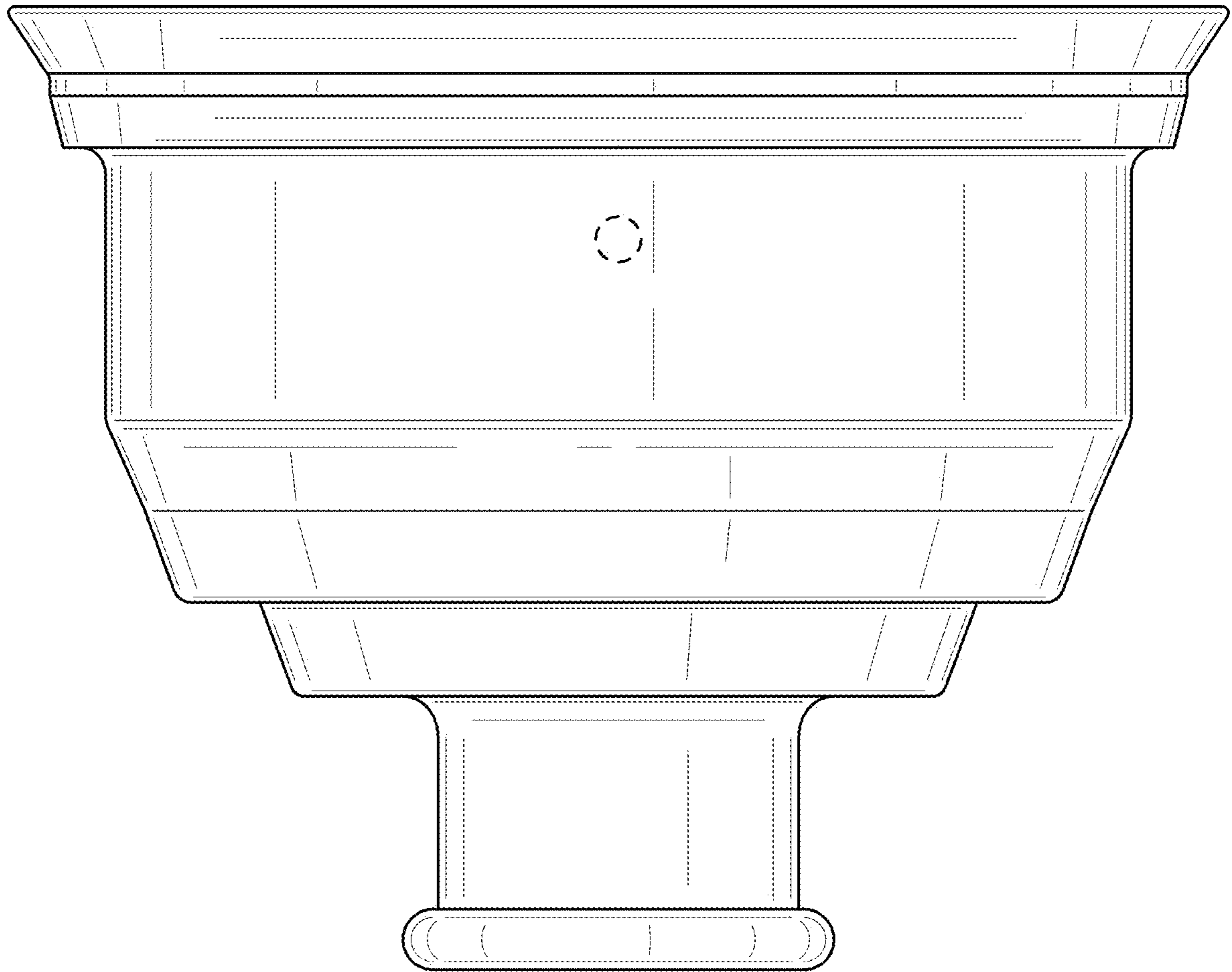


FIG. 7

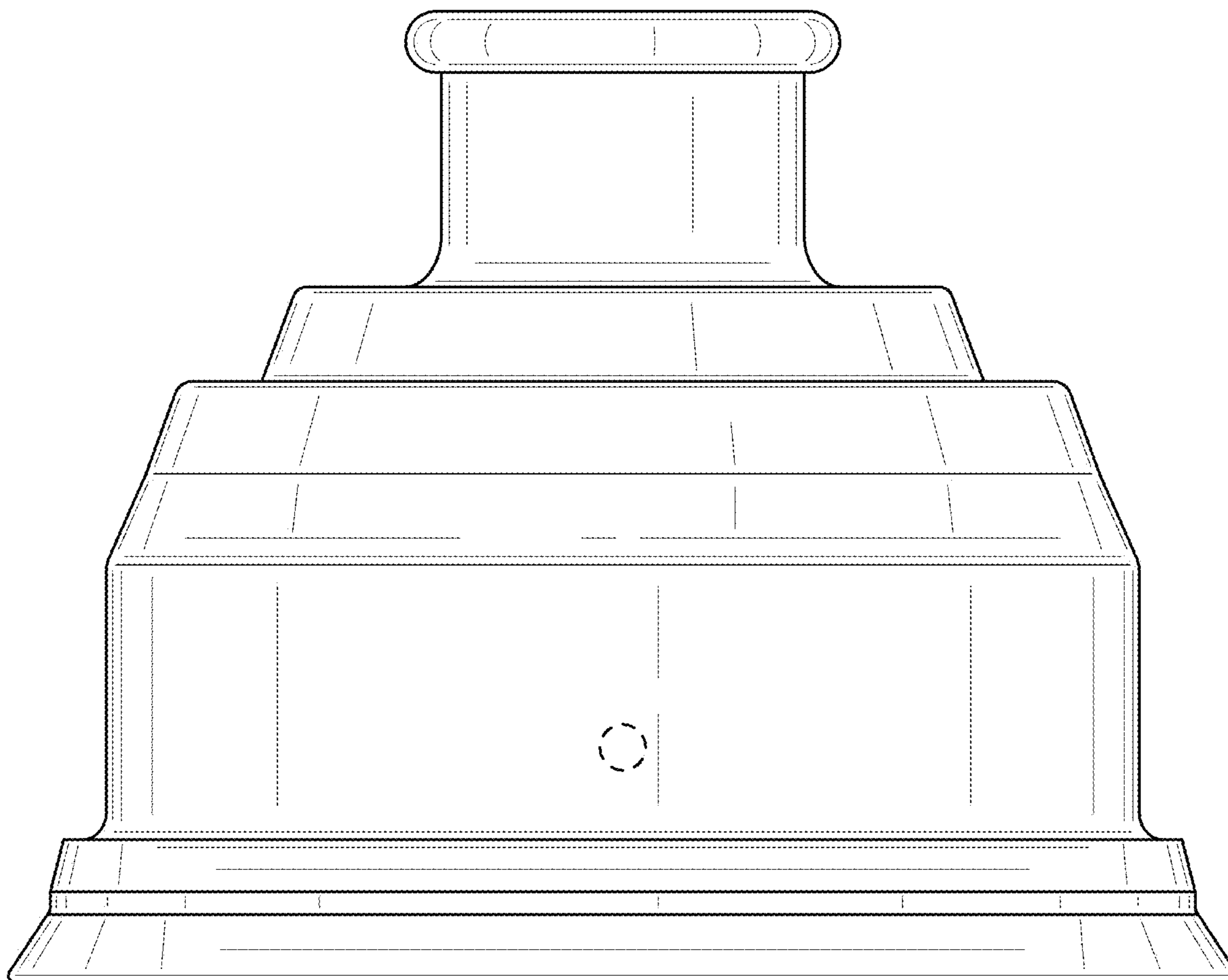


FIG. 8

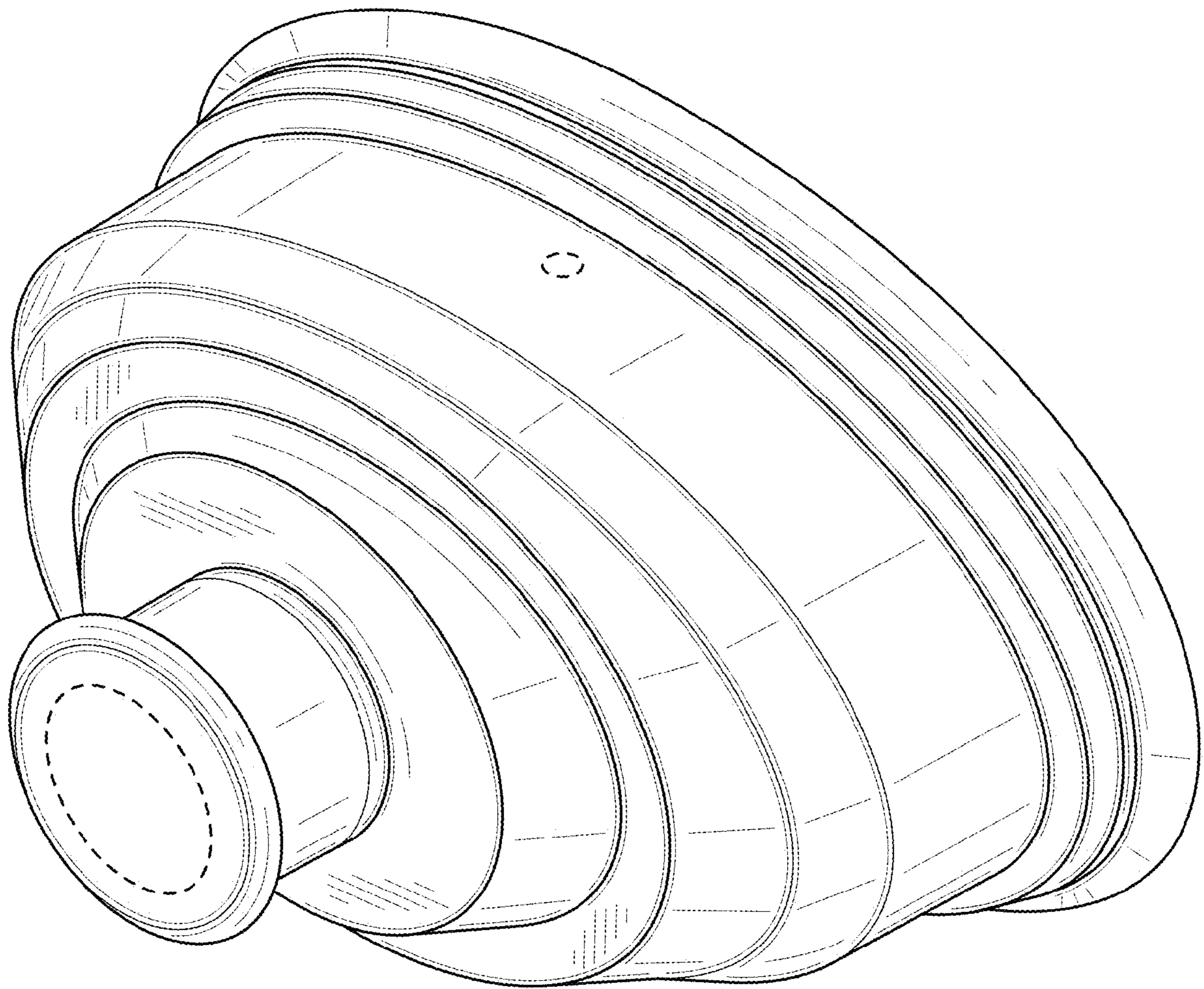


FIG. 9

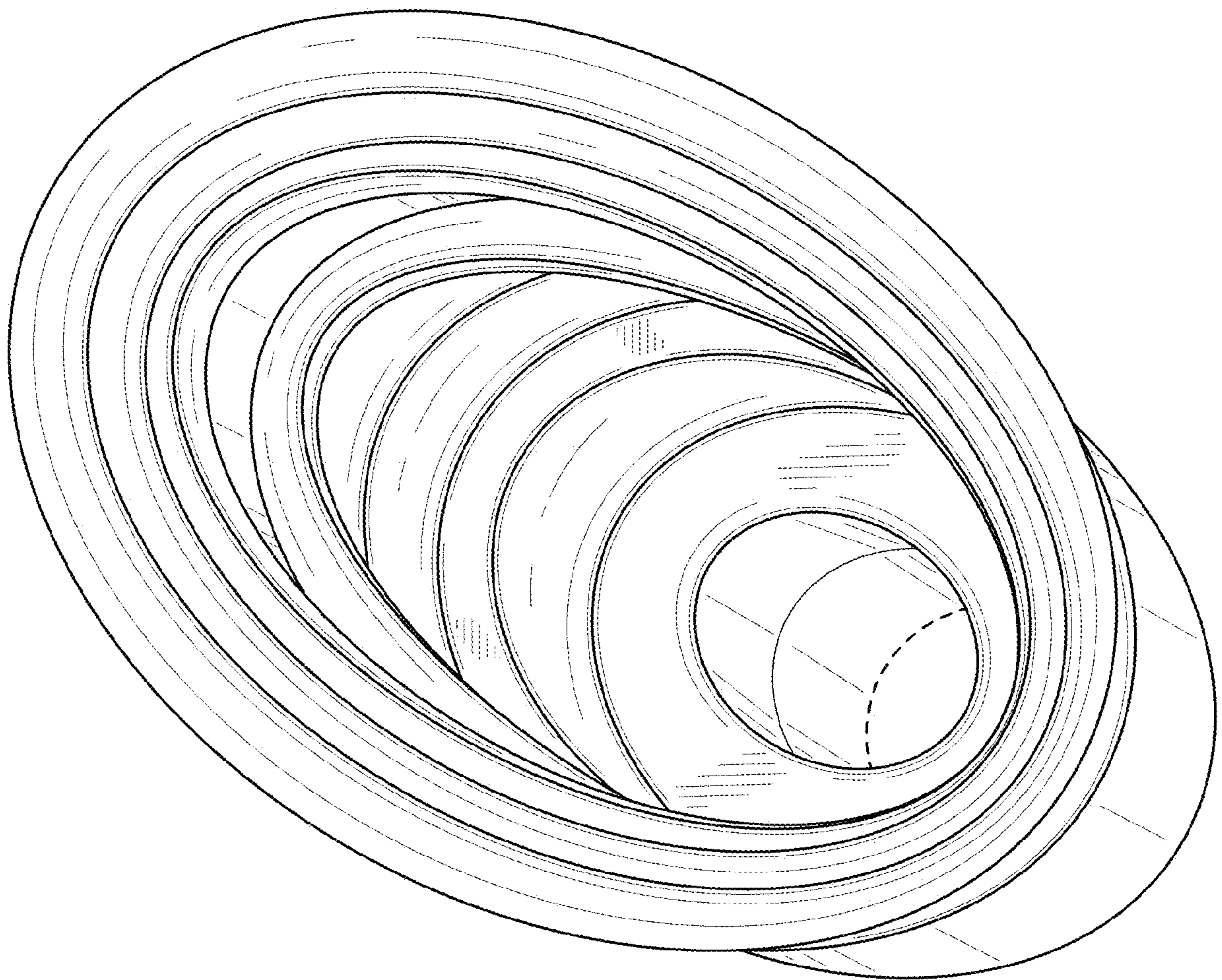


FIG. 10

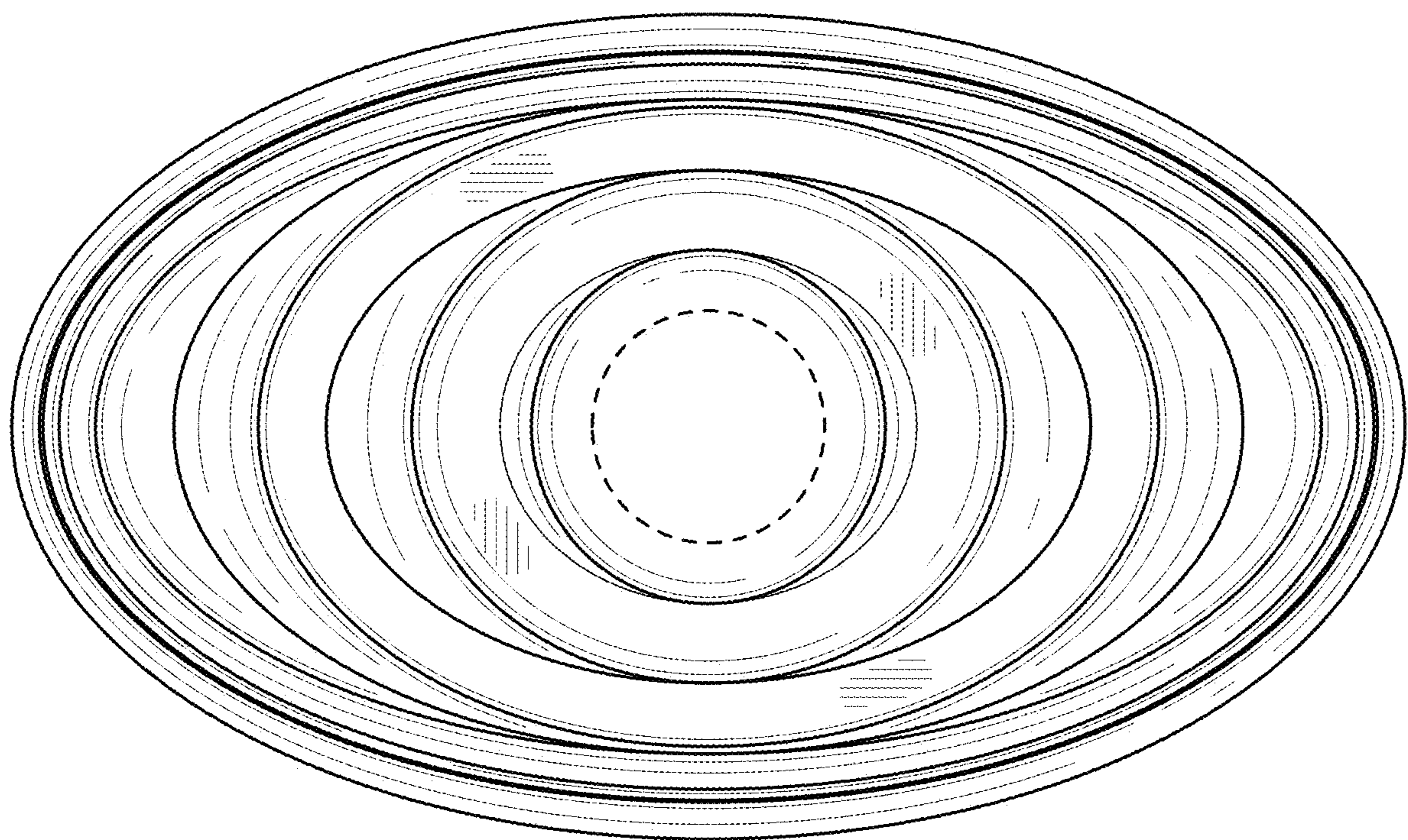


FIG. 11

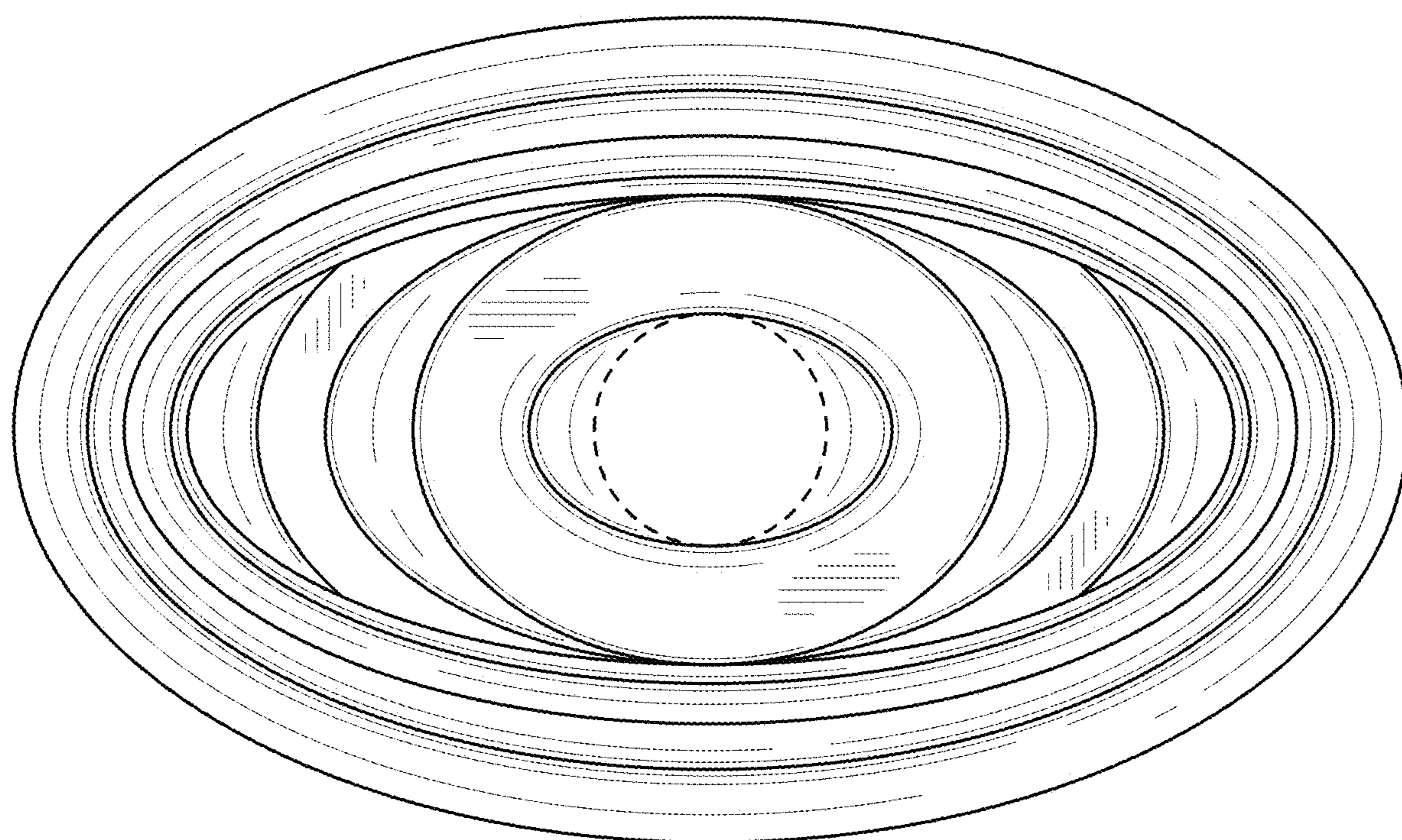


FIG. 12

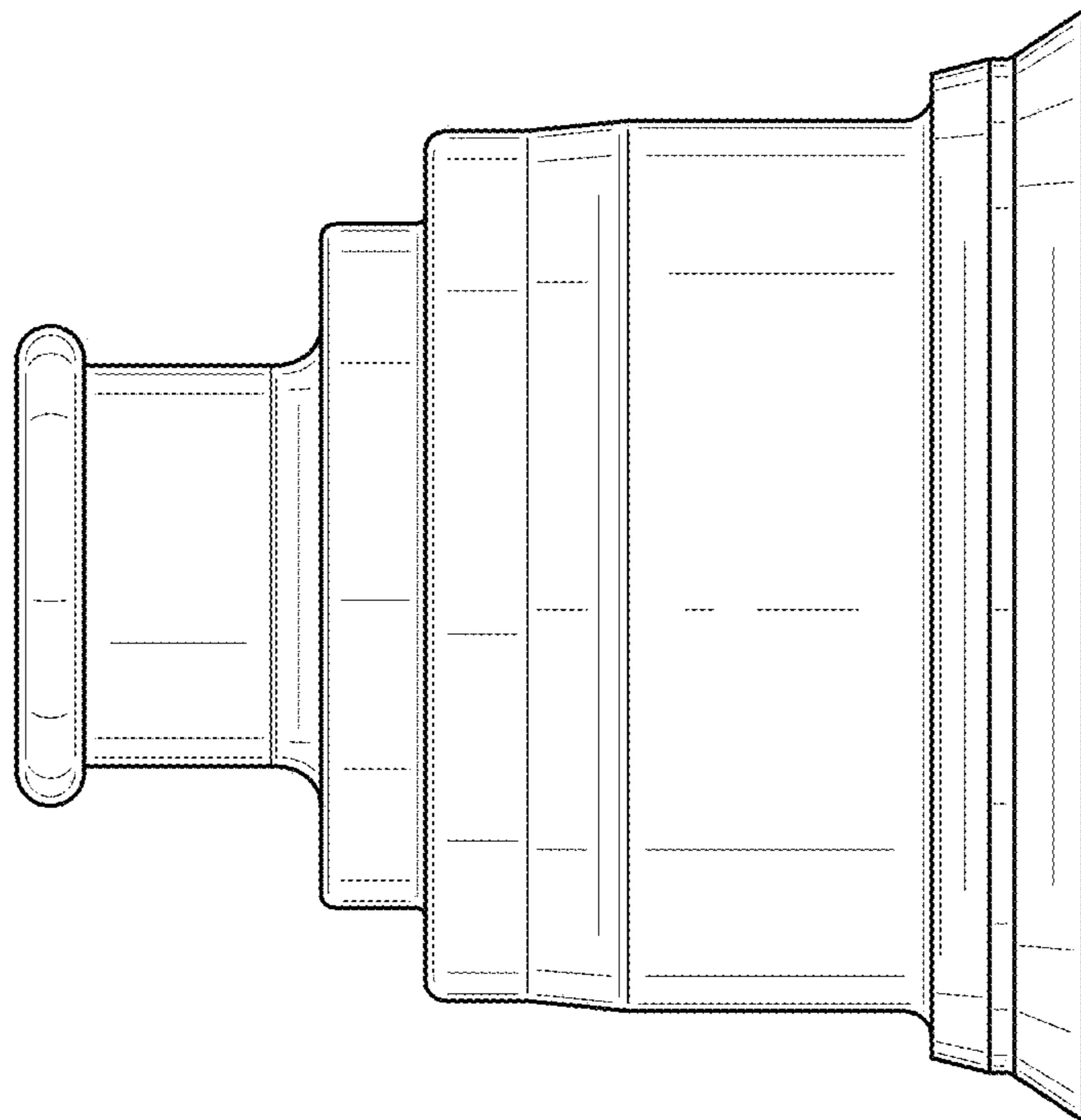


FIG. 13

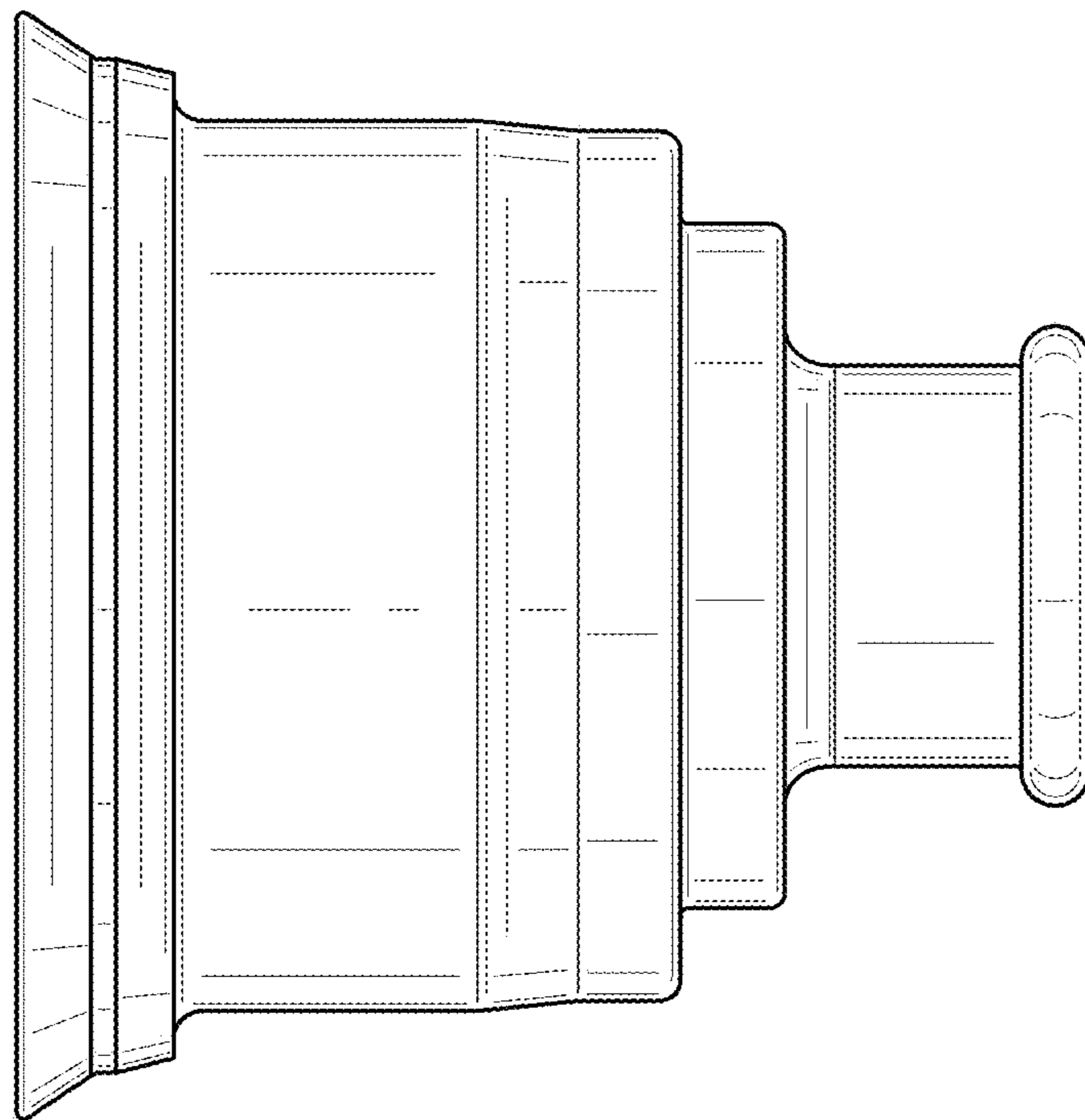


FIG. 14



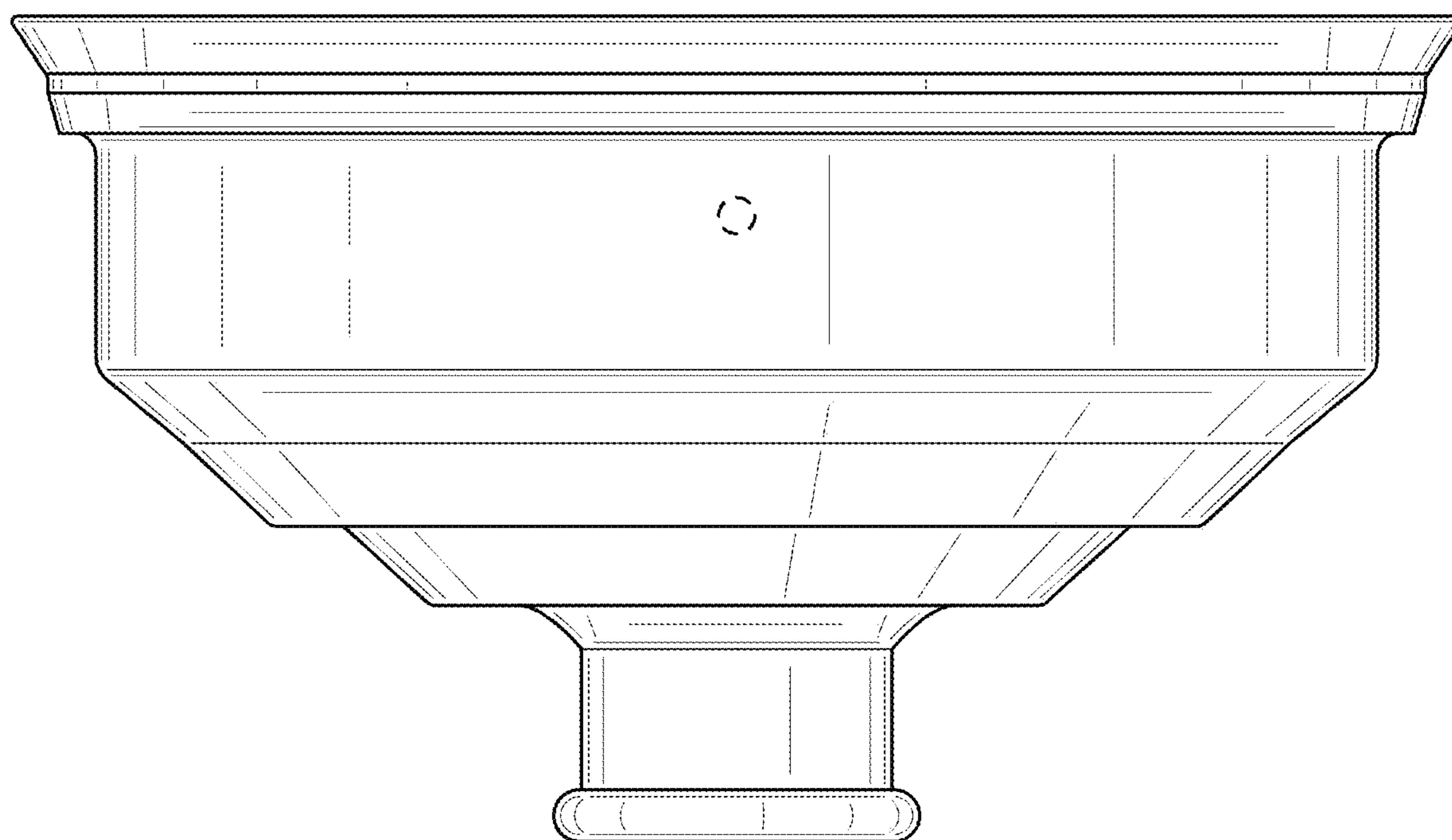


FIG. 15

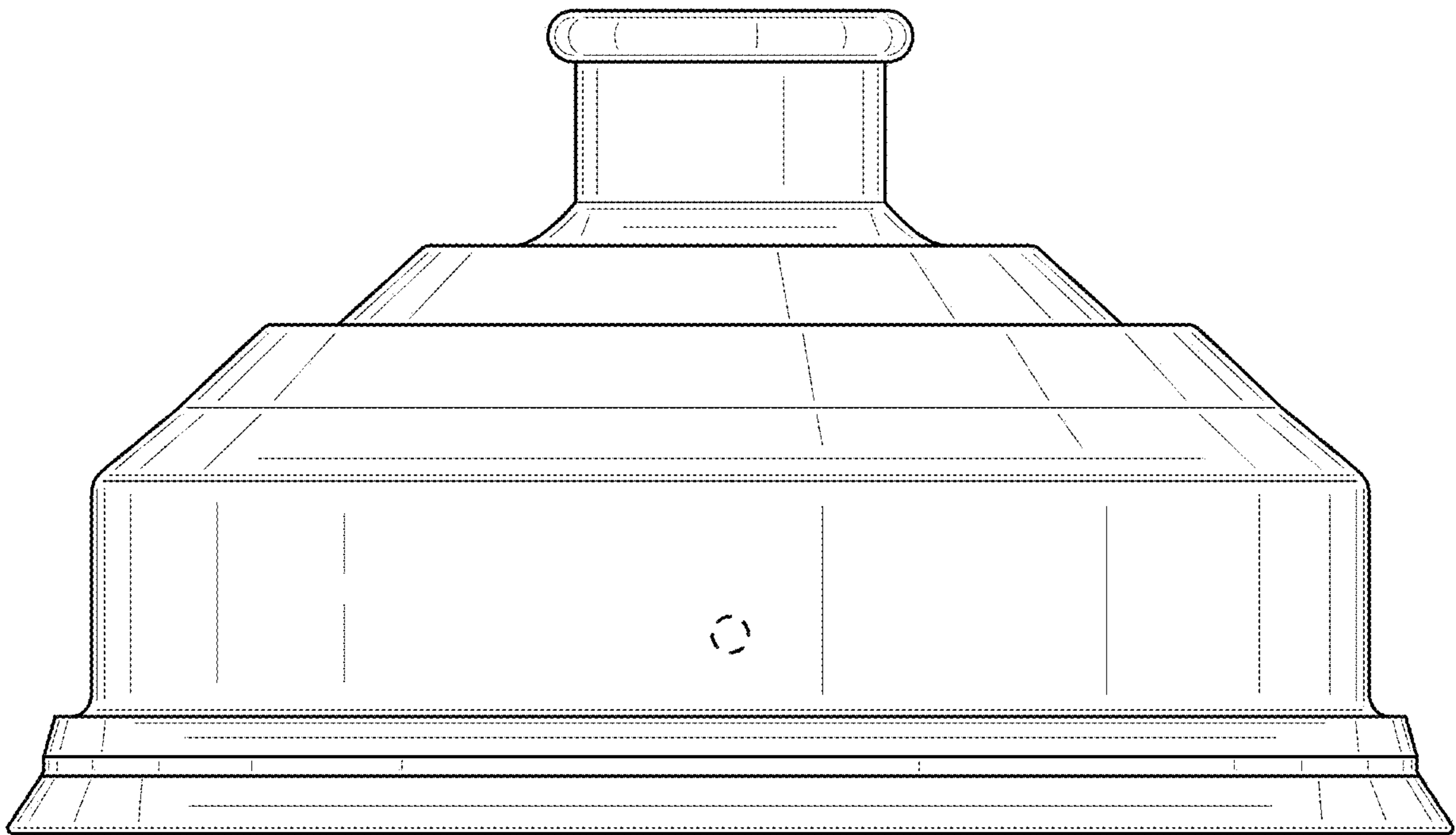


FIG. 16

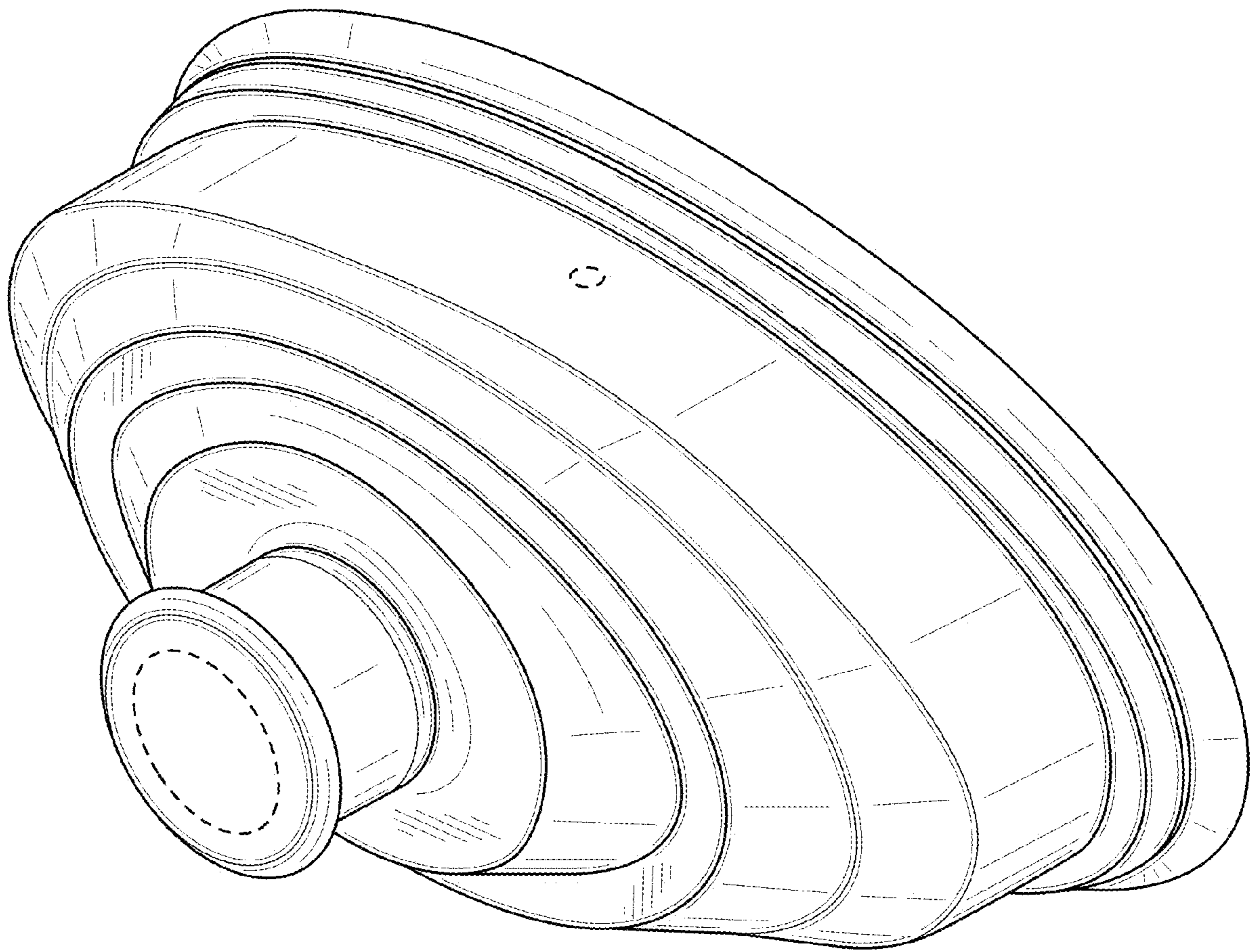


FIG. 17

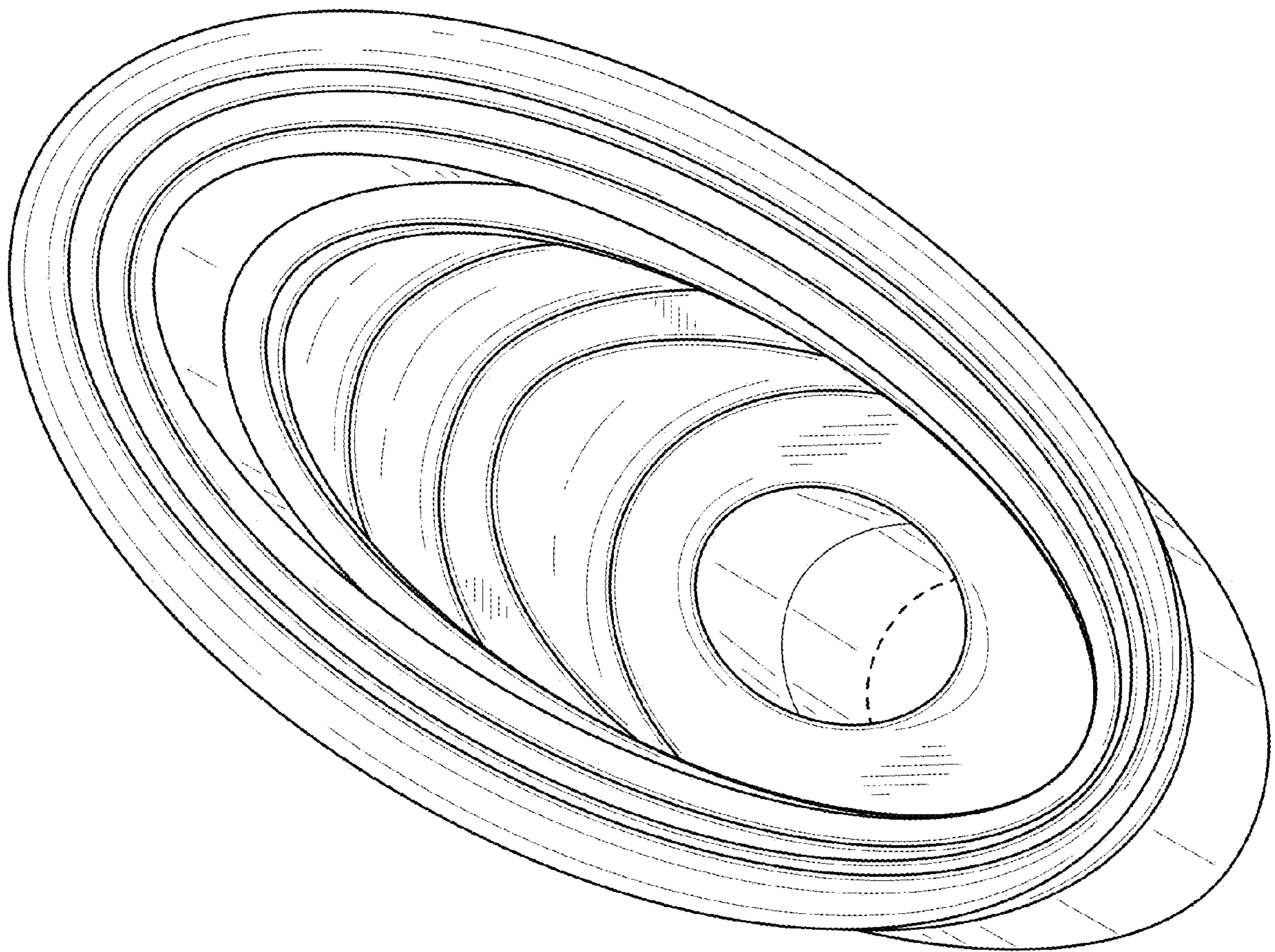


FIG. 18

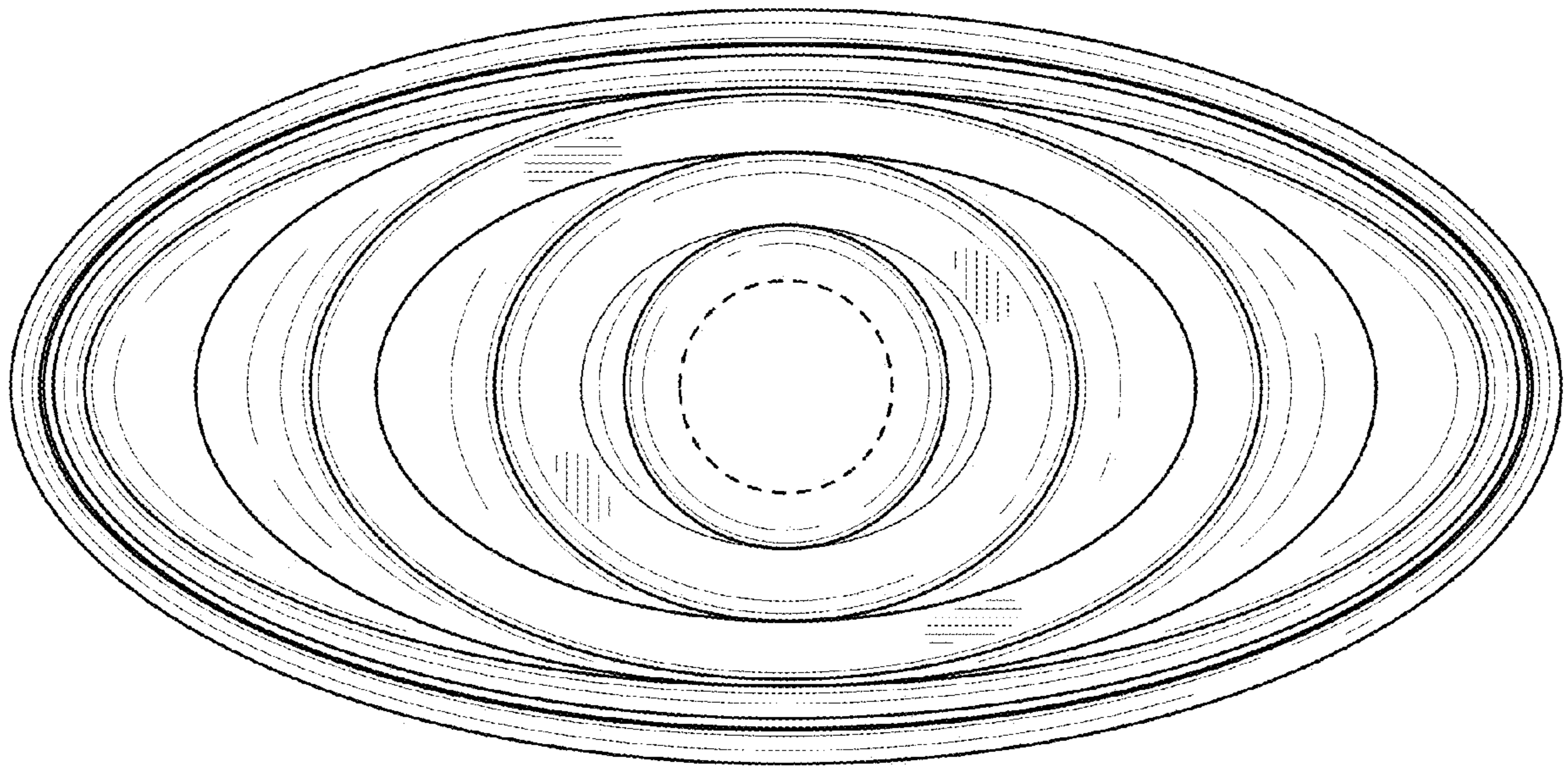


FIG. 19

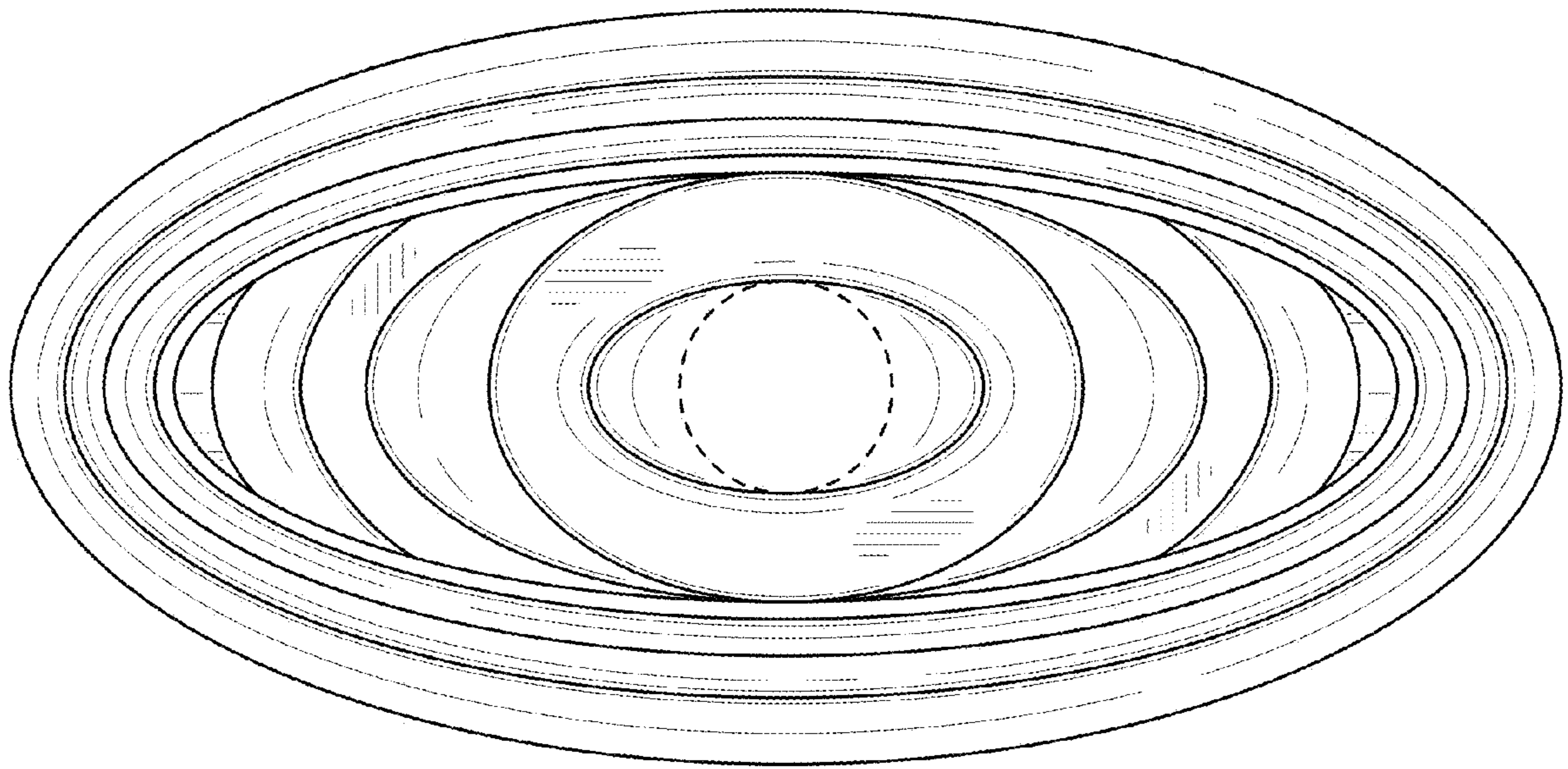


FIG. 20

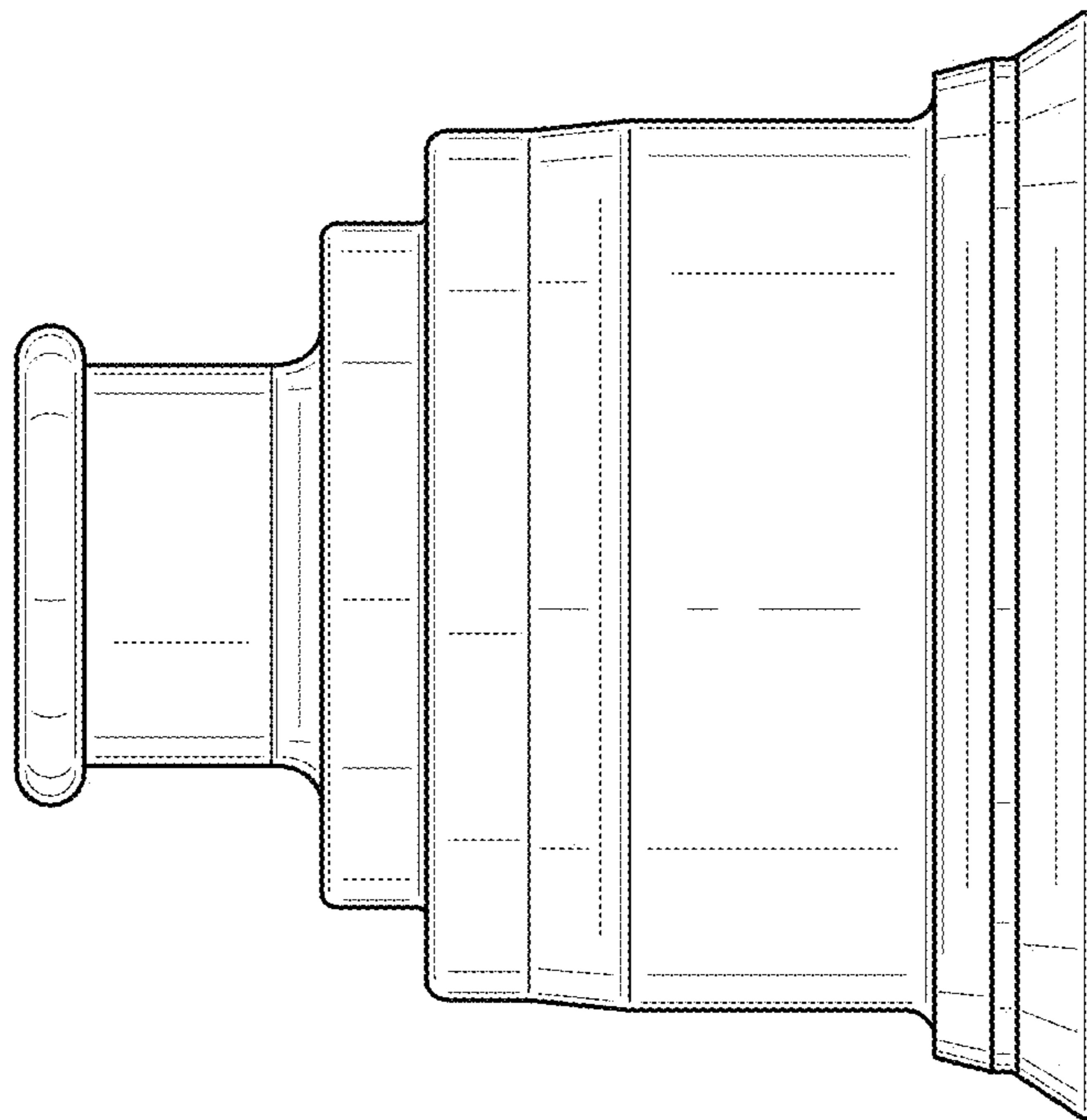


FIG. 21

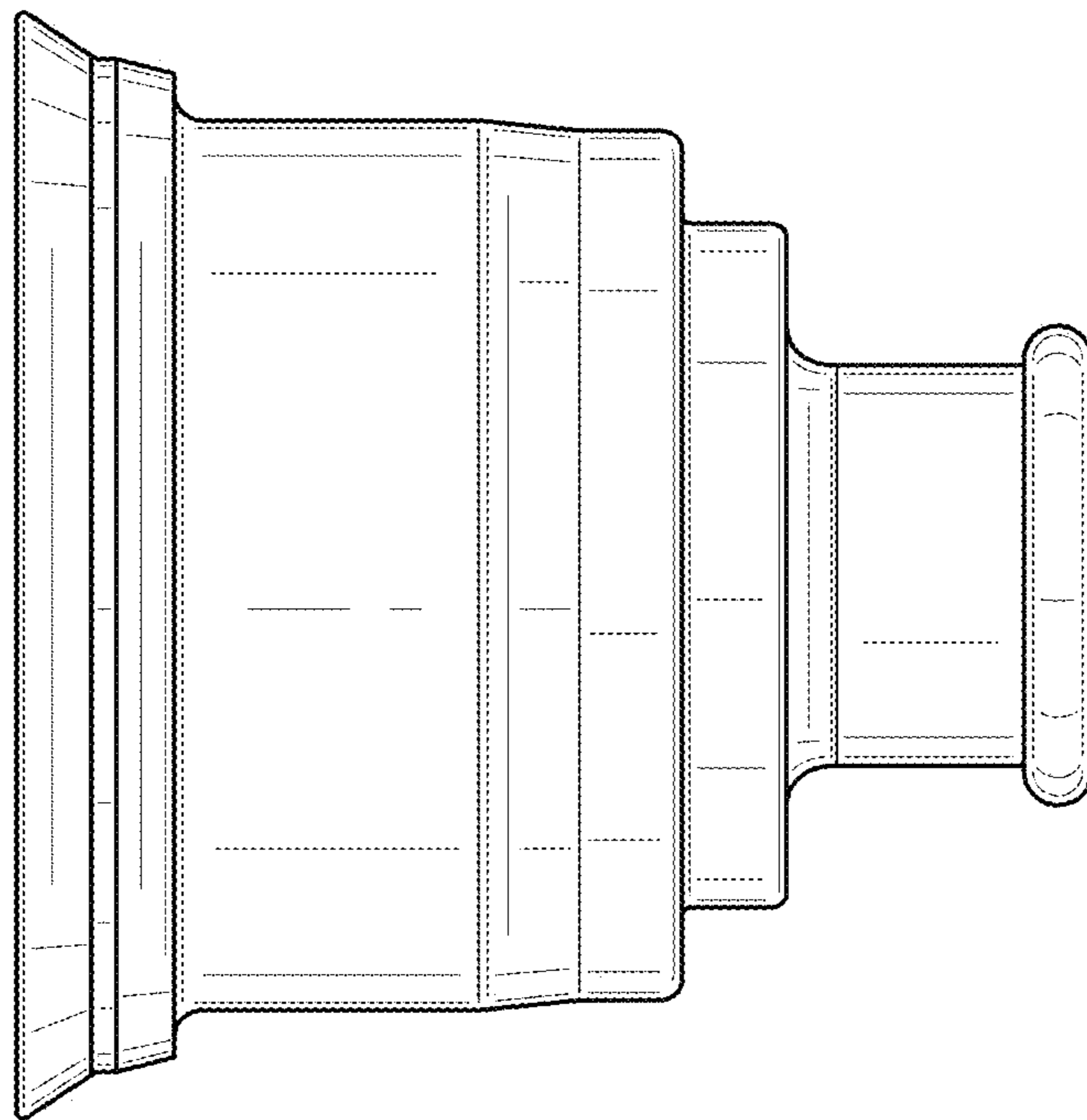


FIG. 22



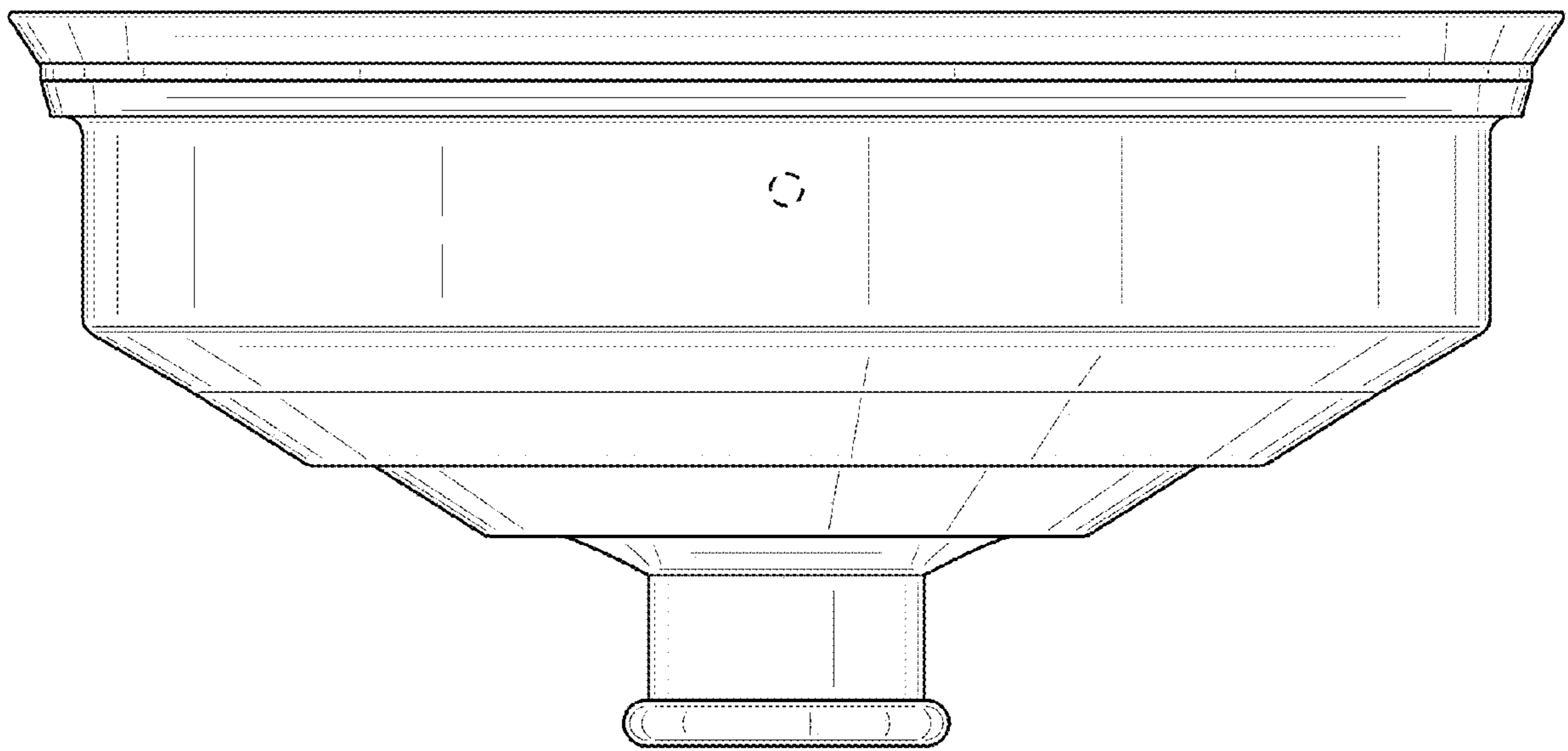


FIG. 23

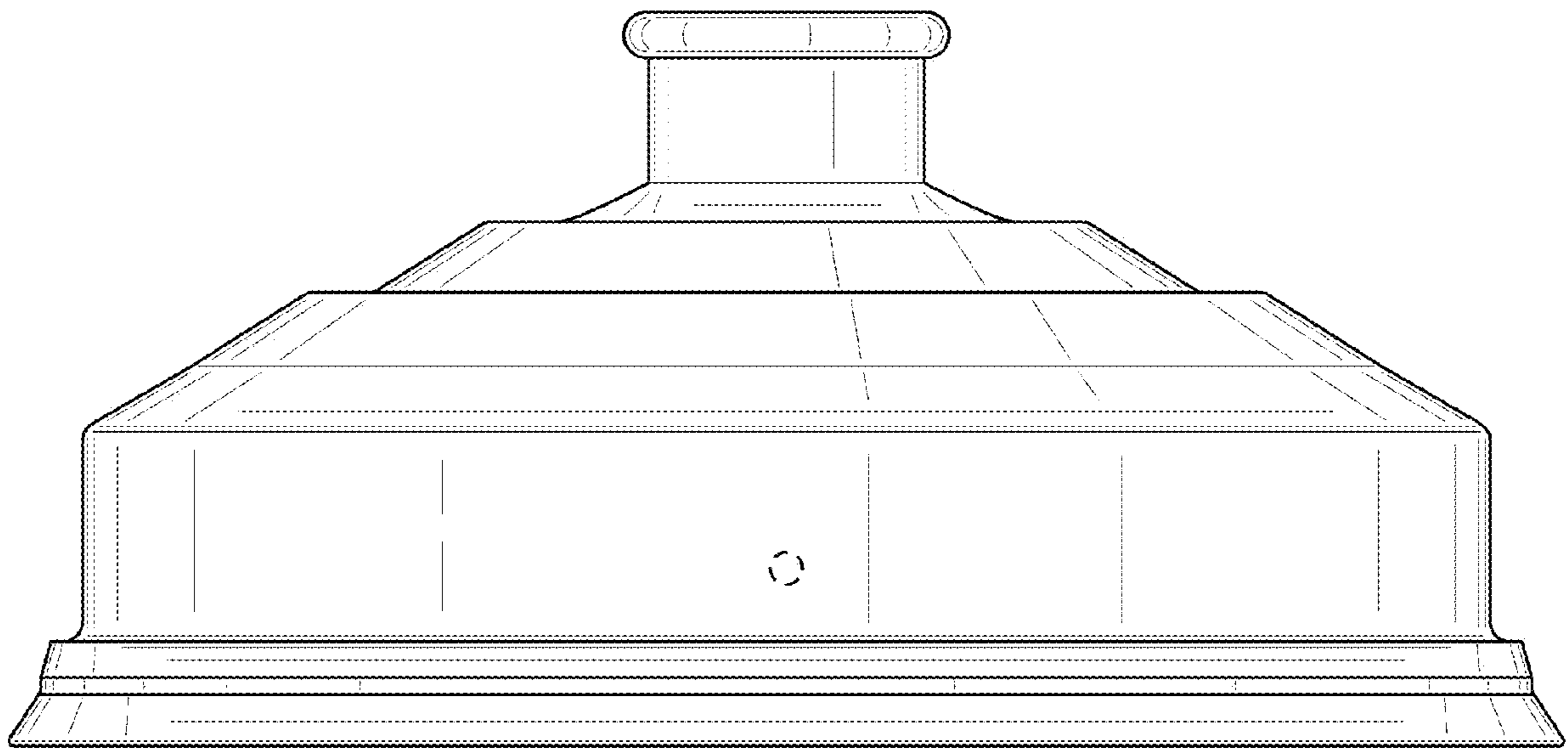


FIG. 24