



US00D931229S

(12) **United States Design Patent** (10) **Patent No.:** **US D931,229 S**  
**Saeki et al.** (45) **Date of Patent:** **\*\* Sep. 21, 2021**

(54) **HOLDER FOR OPTICAL CONNECTOR**

(71) Applicant: **SUMITOMO ELECTRIC INDUSTRIES, LTD.**, Osaka (JP)

(72) Inventors: **Tomoya Saeki**, Osaka (JP); **Michio Suzuki**, Osaka (JP); **Yasushi Fujimura**, Osaka (JP)

(73) Assignee: **Sumitomo Electric Industries, Ltd.**, Osaka (JP)

(\*\*) Term: **15 Years**

(21) Appl. No.: **29/715,536**

(22) Filed: **Dec. 3, 2019**

(30) **Foreign Application Priority Data**

Jun. 4, 2019 (JP) ..... 2019-012208

(51) **LOC (13) Cl.** ..... **13-03**

(52) **U.S. Cl.**  
USPC ..... **D13/154**

(58) **Field of Classification Search**  
USPC ..... D13/103, 110, 118-120, 123, 133, 146,  
D13/147, 154, 173, 174, 178, 184, 199;  
D8/354, 356  
CPC ... F16B 1/00; F16B 21/00; G02B 6/00; G02B  
6/36; G02B 6/38; G02B 6/44; H01R  
4/24; H01R 4/48; H01R 13/00; H01R  
13/11

See application file for complete search history.

(56) **References Cited**

**U.S. PATENT DOCUMENTS**

D186,435 S \* 10/1959 Wilson ..... D8/395  
3,363,224 A \* 1/1968 Glenn ..... H01R 13/11  
439/852  
D308,628 S \* 6/1990 Sorlien ..... D13/133  
5,358,423 A \* 10/1994 Burkhard ..... H01R 4/2454  
24/336

D353,578 S \* 12/1994 Johnson ..... D13/154  
D359,726 S \* 6/1995 Umeya ..... D13/199  
D377,754 S \* 2/1997 Abbott ..... D8/395  
D383,380 S \* 9/1997 Kempf ..... D13/154  
6,212,324 B1 \* 4/2001 Lin ..... G02B 6/3879  
385/136

(Continued)

**FOREIGN PATENT DOCUMENTS**

JP 2004361591 A \* 12/2004

*Primary Examiner* — Shawn T Gingrich

(74) *Attorney, Agent, or Firm* — Baker Botts L.L.P.;  
Michael A. Sartori

(57) **CLAIM**

The ornamental design for a holder for optical connector, as shown and described.

**DESCRIPTION**

FIG. 1 is a front view of a holder for optical connector of the present invention;

FIG. 2 is a rear view thereof;

FIG. 3 is a top plan view thereof;

FIG. 4 is a bottom view thereof;

FIG. 5 is a right side view thereof;

FIG. 6 is a left side view thereof;

FIG. 7 is a top perspective view thereof;

FIG. 8 is a bottom perspective view thereof;

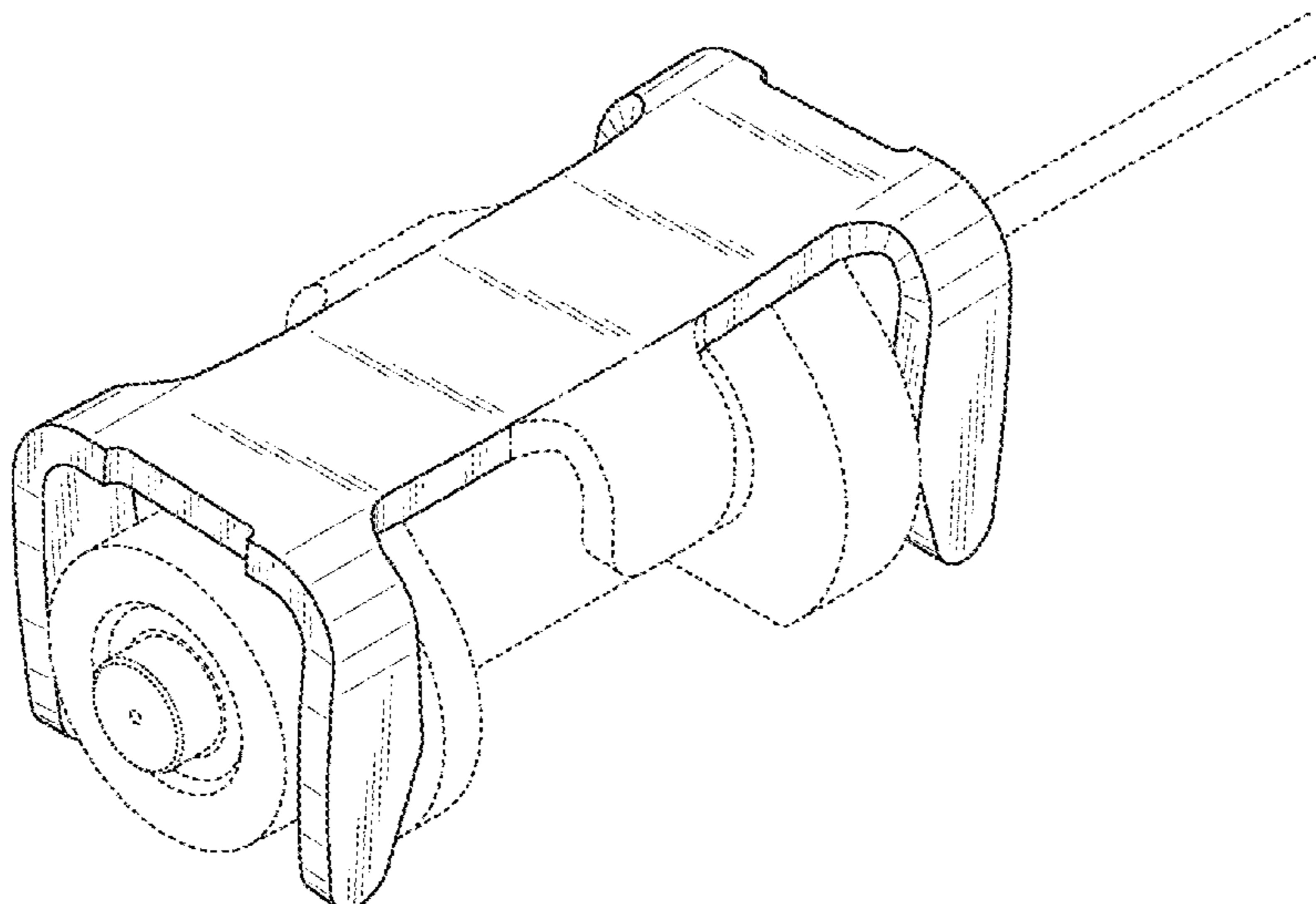
FIG. 9 is a sectional view taken along the line 9-9 thereof of FIG. 1;

FIG. 10 is a left side view thereof showing the holder for optical connector in use; and,

FIG. 11 is a perspective view thereof showing the holder for optical connector in use.

The broken lines show portions of a holder for optical connector or environment that form no part of the claimed design. The alternate long and short dash lines are merely the boundary lines between the claimed parts and the non-claimed parts that form no part of the claimed design.

**1 Claim, 11 Drawing Sheets**



(56)

**References Cited**

U.S. PATENT DOCUMENTS

D495,999	S *	9/2004	Lewis	.....	D13/154
D516,521	S *	3/2006	Yao	.....	D13/154
D576,478	S *	9/2008	Mead	.....	D8/395
D730,721	S *	6/2015	Degan	.....	D8/356
D790,528	S *	6/2017	Lindloff	.....	D14/253
D816,475	S *	5/2018	Ochi	.....	D8/395
10,312,608	B2 *	6/2019	Sabo	.....	H01R 4/2454
D908,788	S *	1/2021	Leewe	.....	D17/20
2003/0091316	A1 *	5/2003	Wu	.....	F16L 3/16
					385/137
2005/0129378	A1 *	6/2005	Yamaguchi	.....	G02B 6/3897
					385/134
2012/0149233	A1 *	6/2012	Hsueh	.....	H01R 4/2454
					439/395
2013/0252460	A1 *	9/2013	Fathauer	.....	H01R 13/6395
					439/533
2018/0145449	A1 *	5/2018	Wei	.....	H01R 24/60
2019/0014676	A1 *	1/2019	Nakamura	.....	F16B 2/245

\* cited by examiner

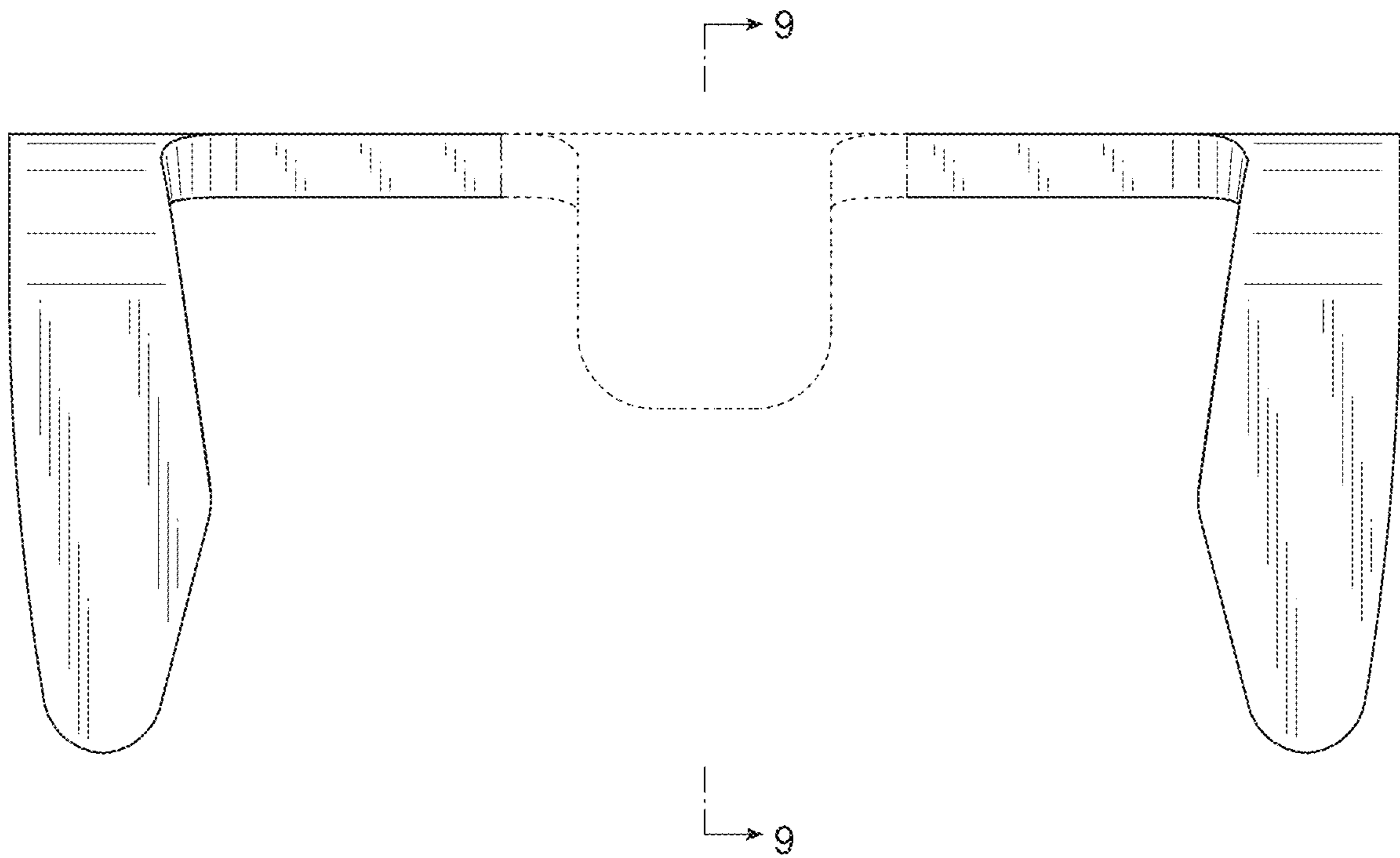


FIG. 1

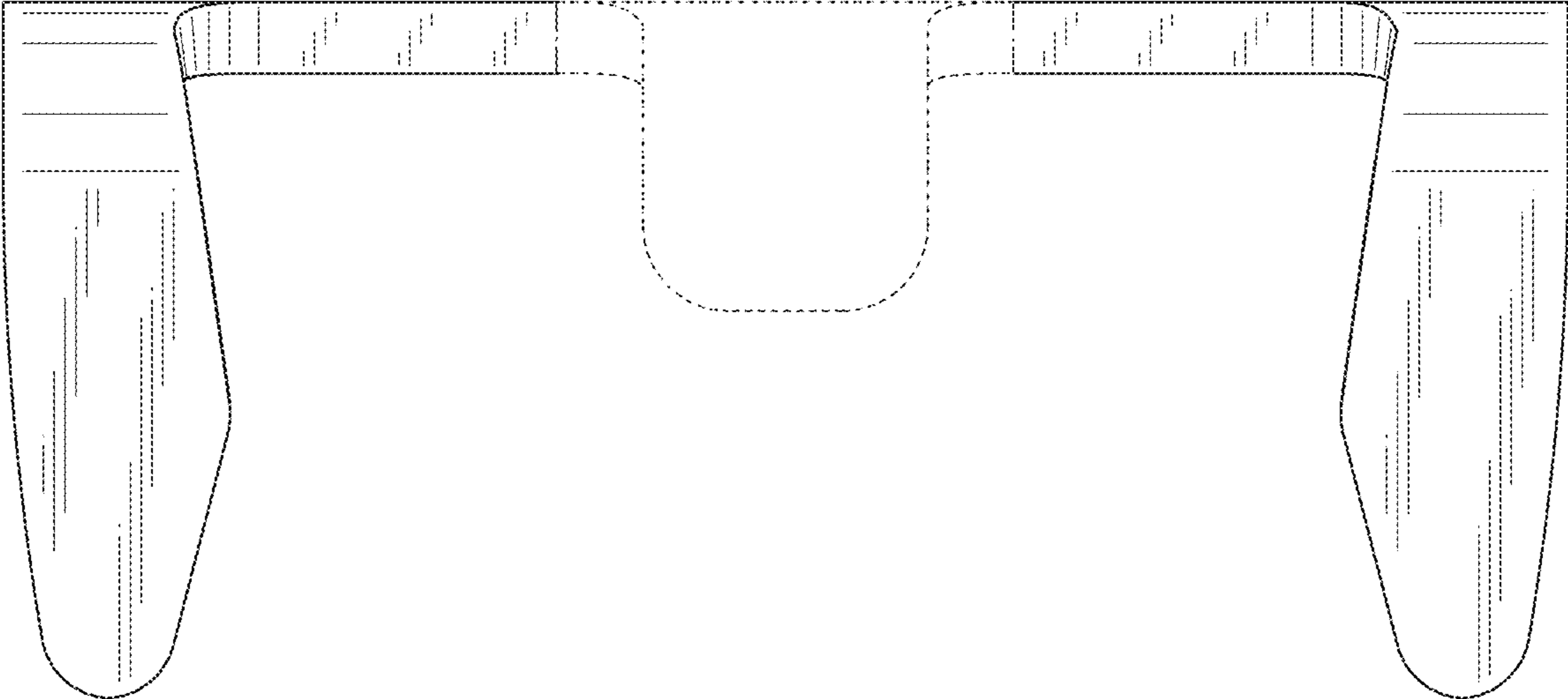


FIG. 2

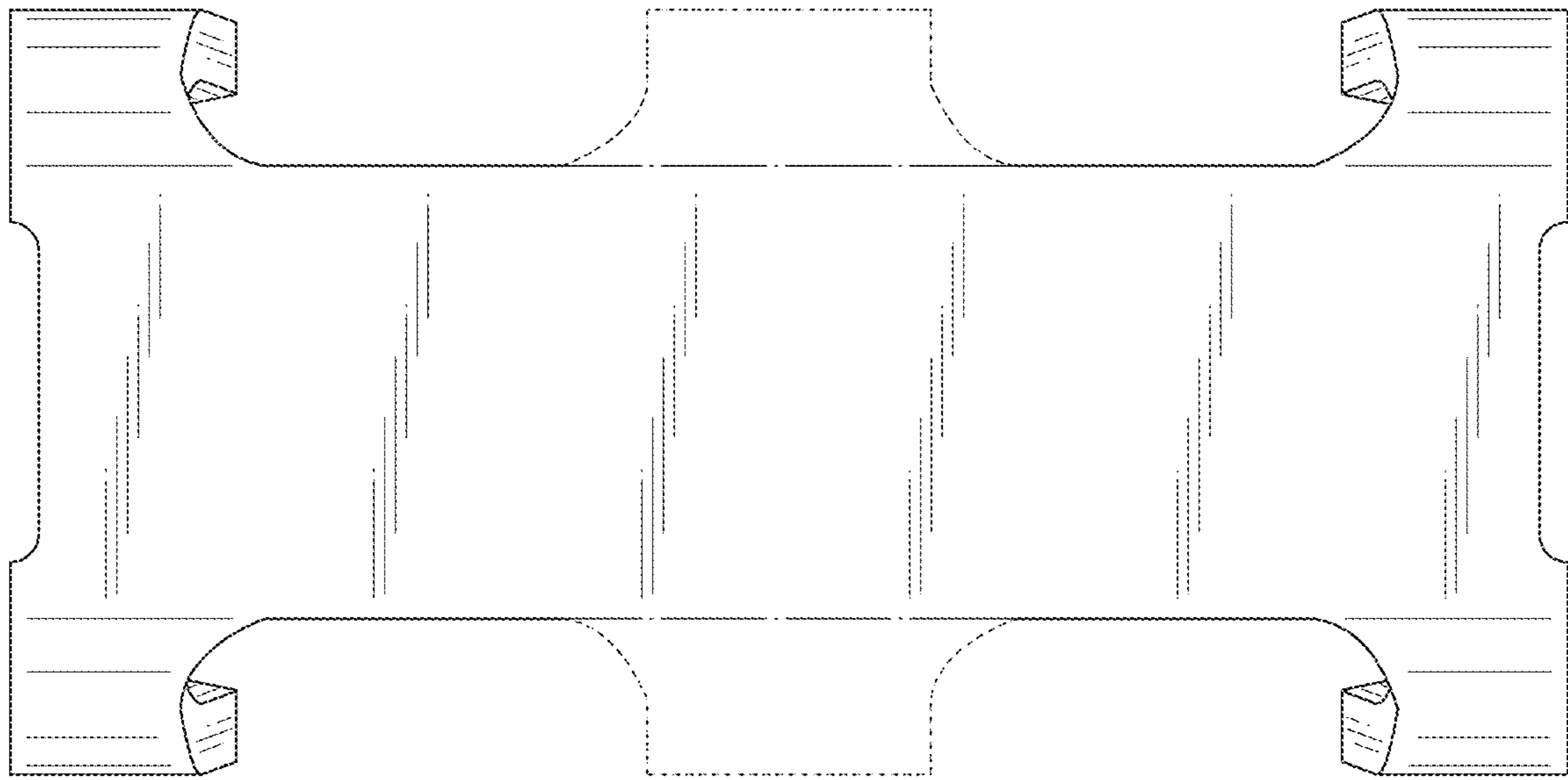


FIG. 3

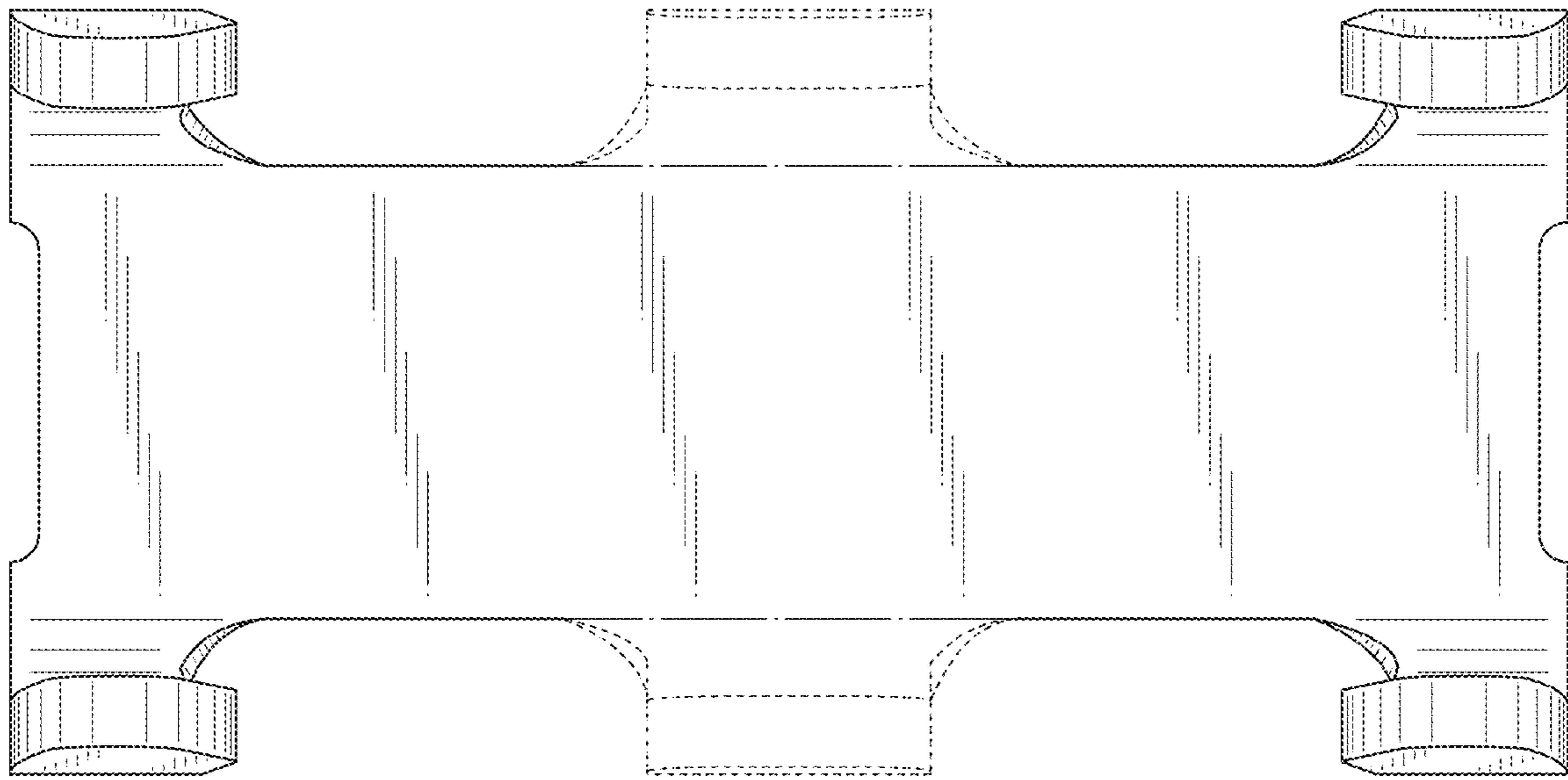


FIG. 4

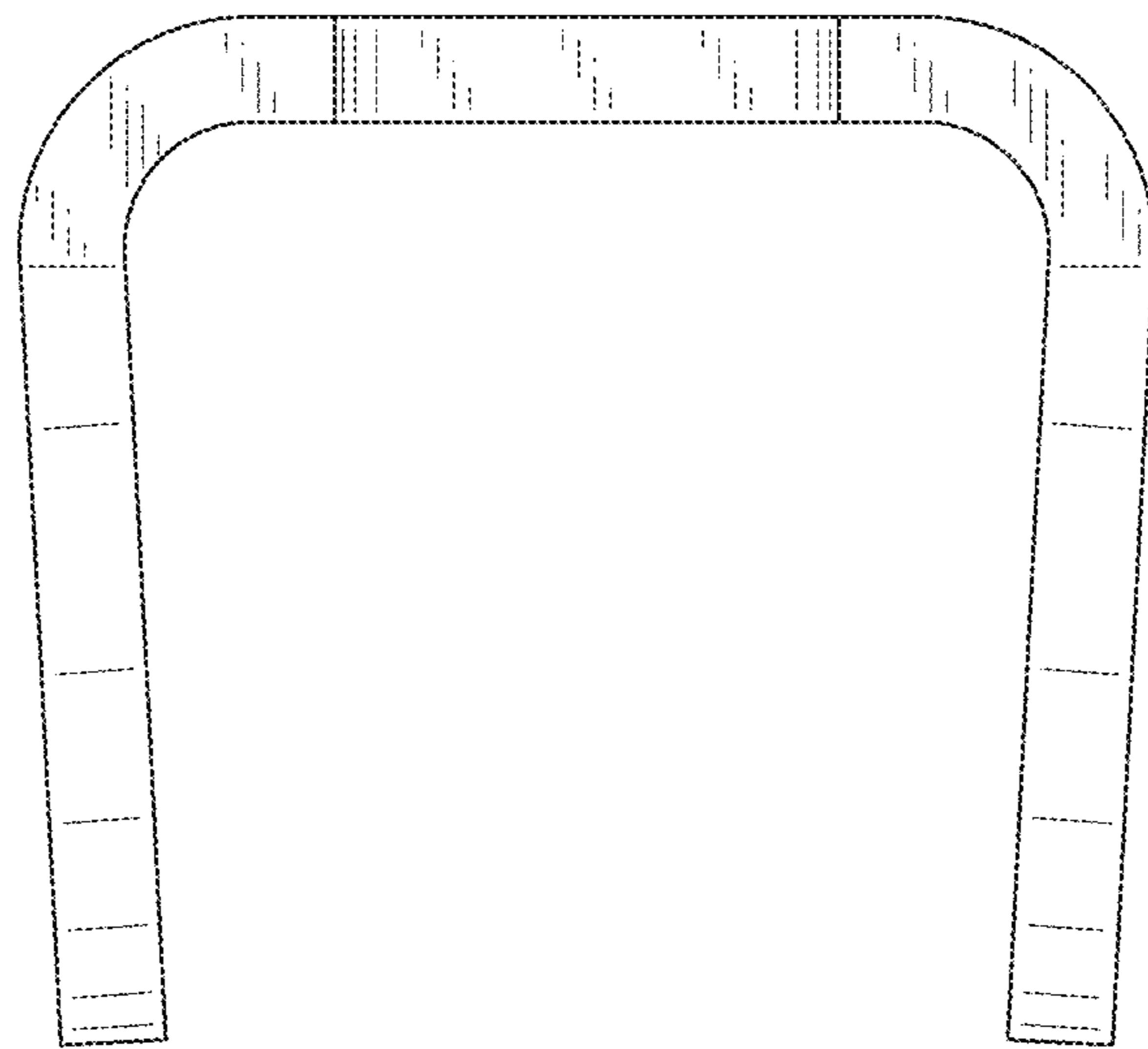


FIG. 5

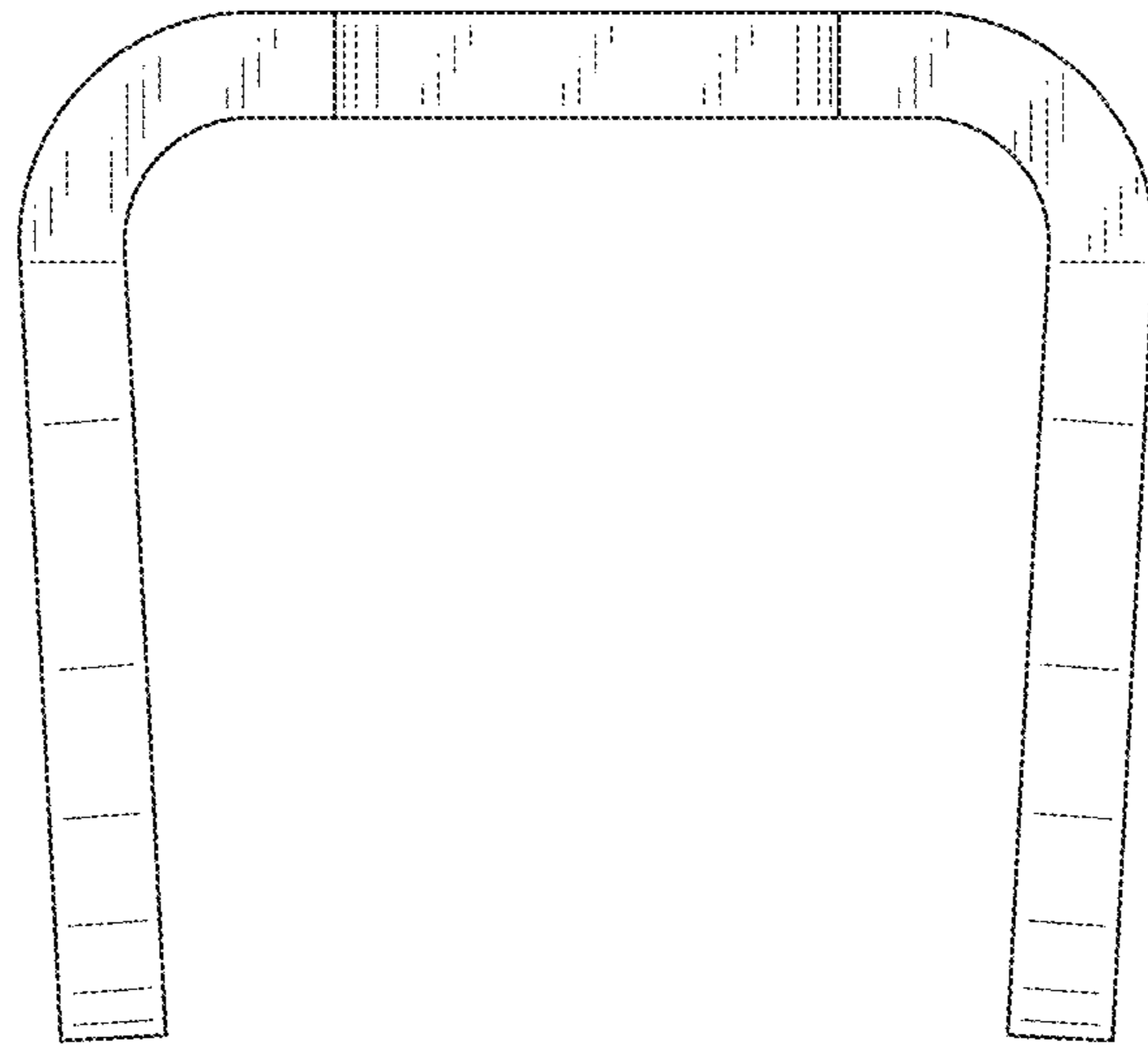


FIG. 6



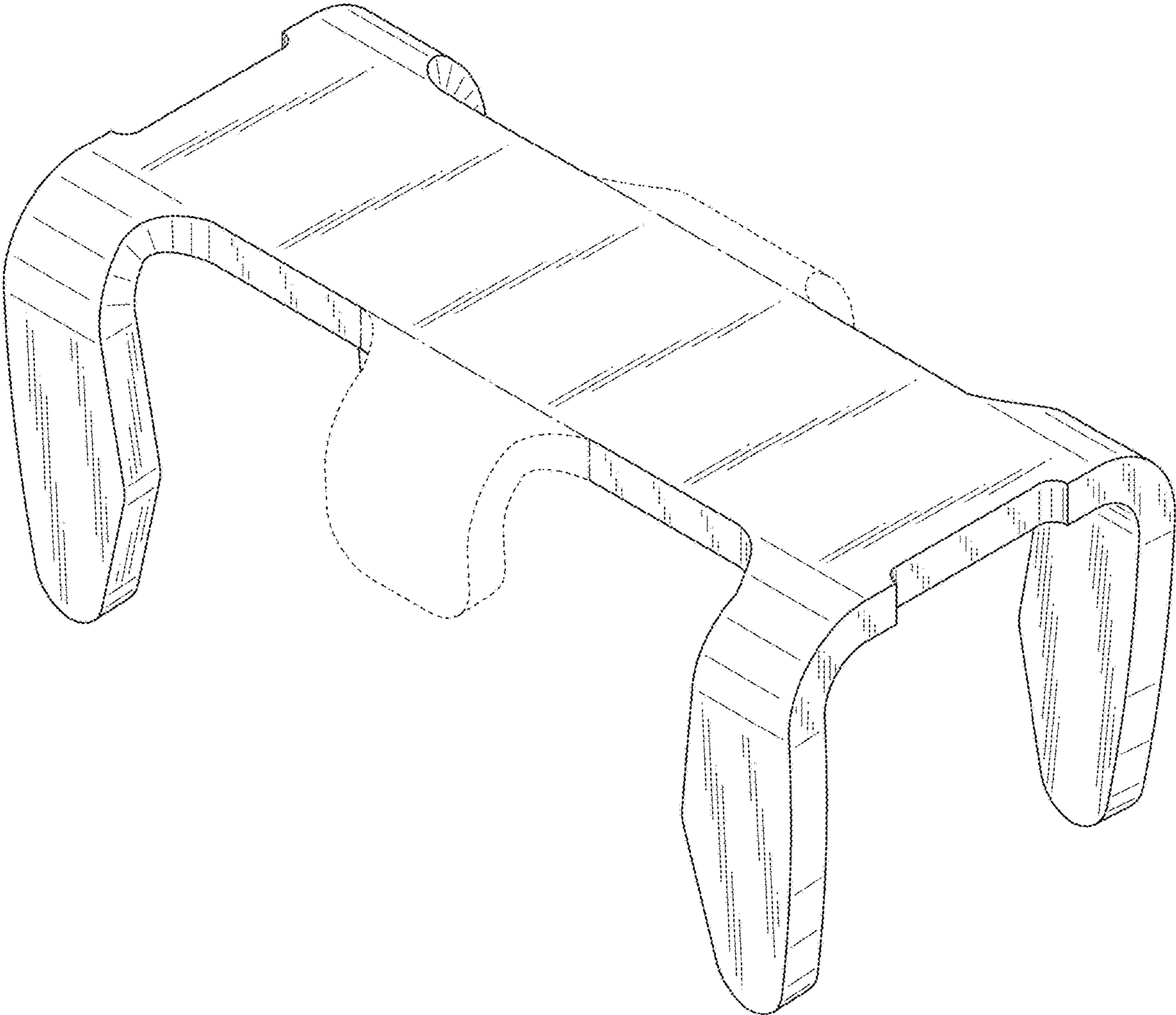


FIG. 7

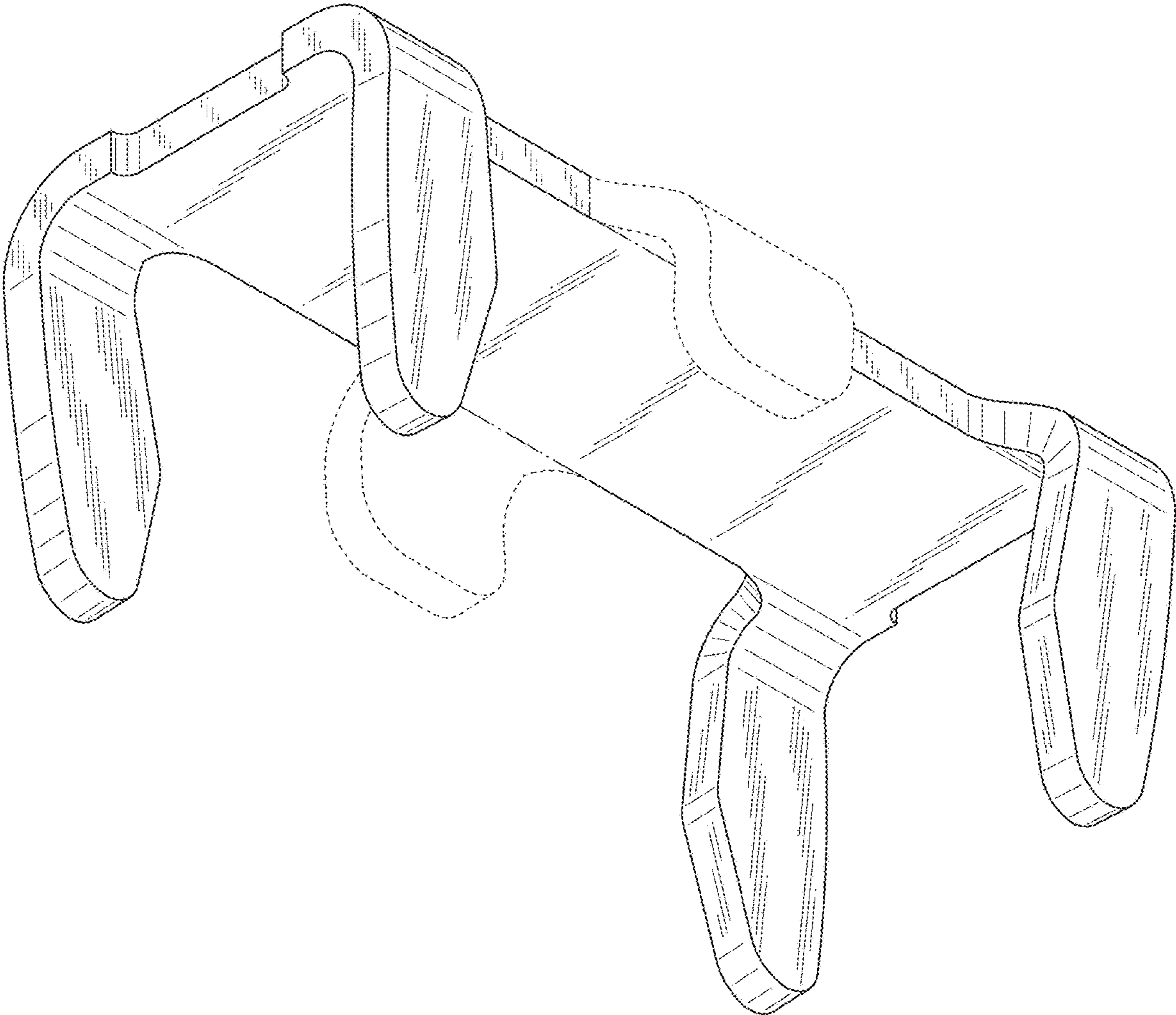


FIG. 8

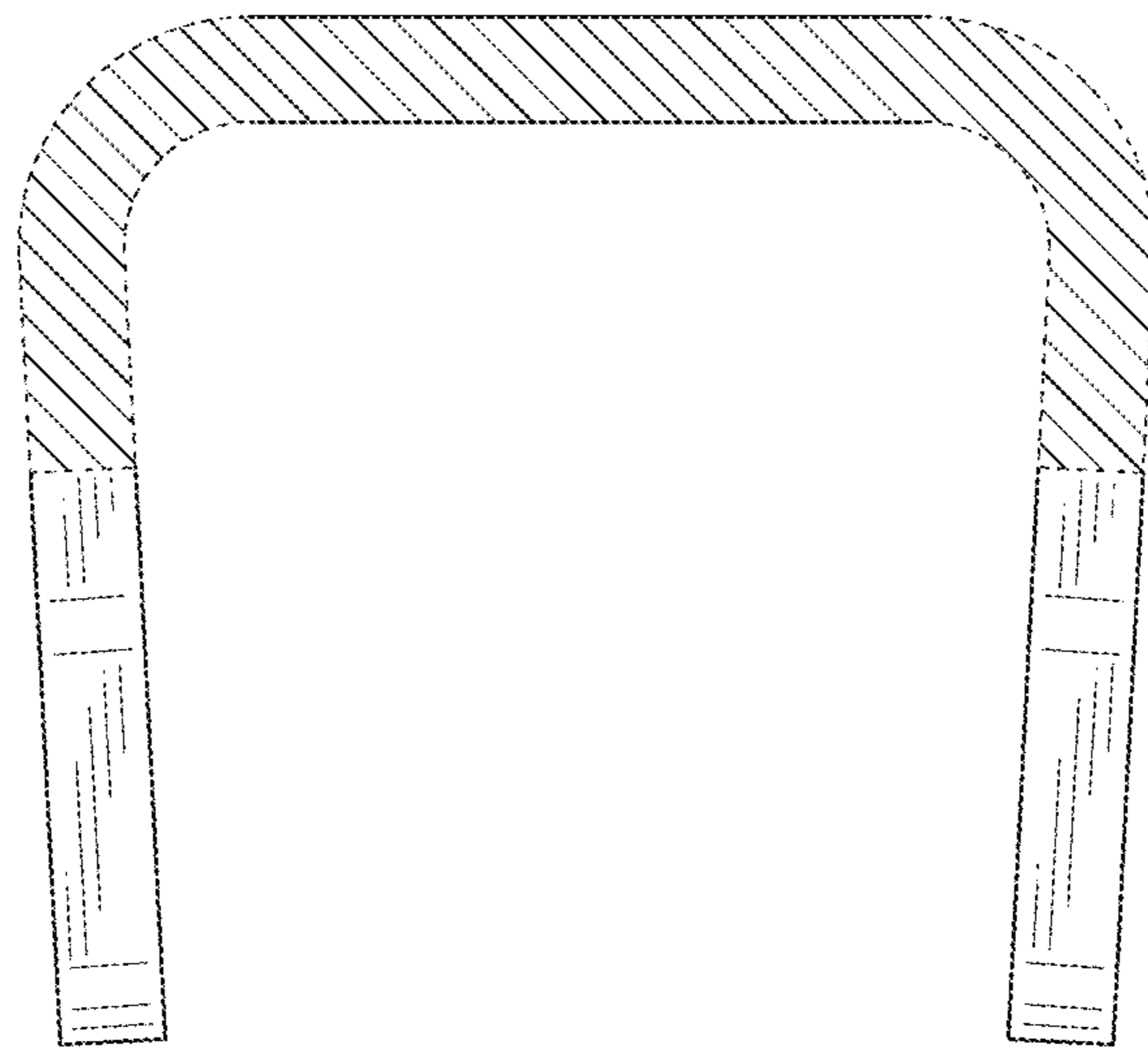


FIG. 9

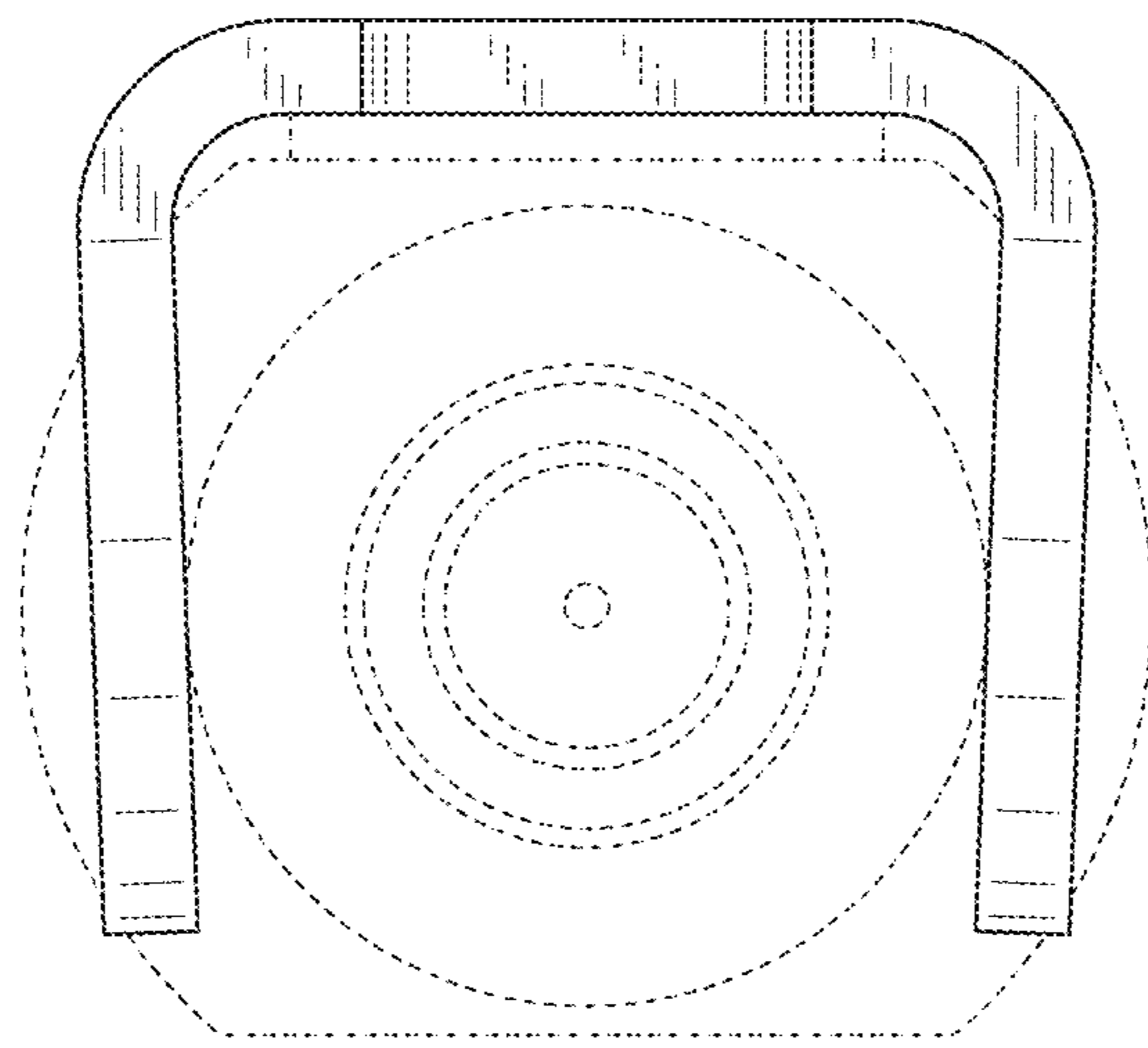


FIG. 10

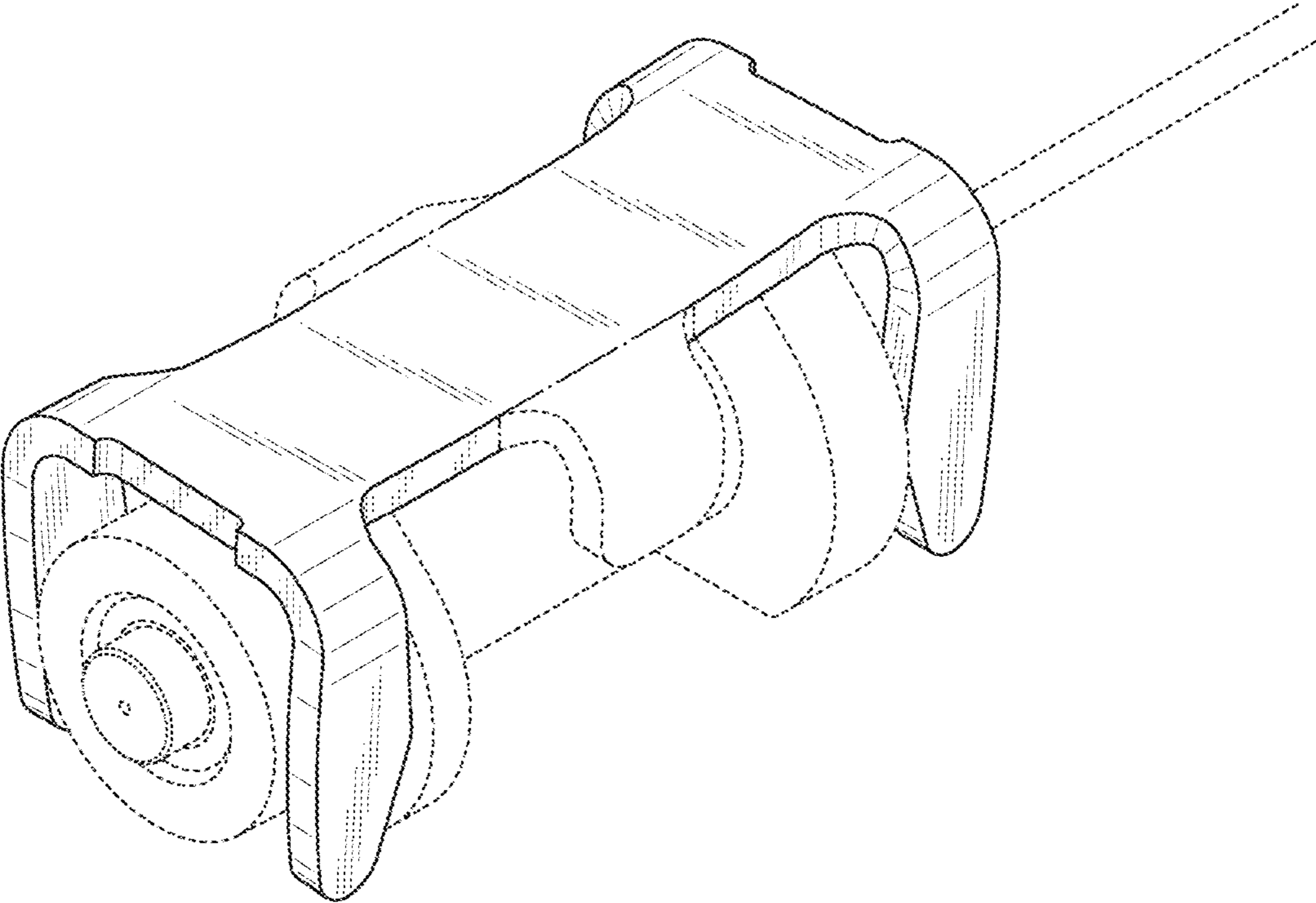


FIG. 11