



US00D931226S

(12) **United States Design Patent** (10) **Patent No.:** **US D931,226 S**  
**Mellere** (45) **Date of Patent:** **\*\* Sep. 21, 2021**

(54) **ELECTRIC ACTUATOR**  
 (71) Applicant: **Sonceboz Mechatronics Boncourt SA,**  
 Boncourt (CH)  
 (72) Inventor: **Cédric Mellere,** Soulce-Cernay (FR)  
 (\*\*) Term: **15 Years**  
 (21) Appl. No.: **35/509,647**  
 (22) Filed: **Jun. 4, 2020**

7,659,696 B2 \* 2/2010 Zeiler ..... H02J 7/0045  
 320/115  
 D614,150 S \* 4/2010 Crites ..... D13/174  
 D650,337 S \* 12/2011 Bonomi ..... D13/158  
 D701,168 S \* 3/2014 Hiemer ..... D13/112  
 D846,011 S \* 4/2019 Ishikawa ..... D15/149  
 D846,012 S \* 4/2019 Ishikawa ..... D15/149  
 D856,279 S \* 8/2019 Chen ..... D13/112  
 D868,856 S \* 12/2019 Lorenz ..... D15/144  
 D902,154 S \* 11/2020 Hirabayashi ..... D13/112  
 D914,619 S \* 3/2021 Loussert ..... D13/180  
 D921,048 S \* 6/2021 Frank ..... D15/5  
 2016/0164348 A1 \* 6/2016 Mellere ..... F02B 37/183  
 310/179

(80) **Hague Agreement Data**

Int. Filing Date: **Jun. 4, 2020**  
 Int. Reg. No.: **DM/208606**  
 Int. Reg. Date: **Jun. 4, 2020**  
 Int. Reg. Pub. Date: **Jun. 19, 2020**

(51) **LOC (13) Cl.** ..... **13-03**  
 (52) **U.S. Cl.**  
 USPC ..... **D13/147**  
 (58) **Field of Classification Search**  
 USPC ..... D13/147, 112, 180, 174, 158; D15/5,  
 D15/144, 149  
 CPC ..... H02J 7/0045; F02B 37/183  
 See application file for complete search history.

(56) **References Cited**

**U.S. PATENT DOCUMENTS**

D140,204 S \* 1/1945 Lear ..... D13/112  
 D140,211 S \* 1/1945 Lear ..... D13/112  
 D140,493 S \* 2/1945 Wehner ..... D13/112  
 D141,554 S \* 6/1945 Lear ..... D13/112  
 D288,315 S \* 2/1987 Nelson ..... D13/158  
 D587,661 S \* 3/2009 Blakesley ..... D13/158  
 D609,194 S \* 2/2010 Lin ..... D13/158

\* cited by examiner

*Primary Examiner* — Rhea Shields

(57) **CLAIM**

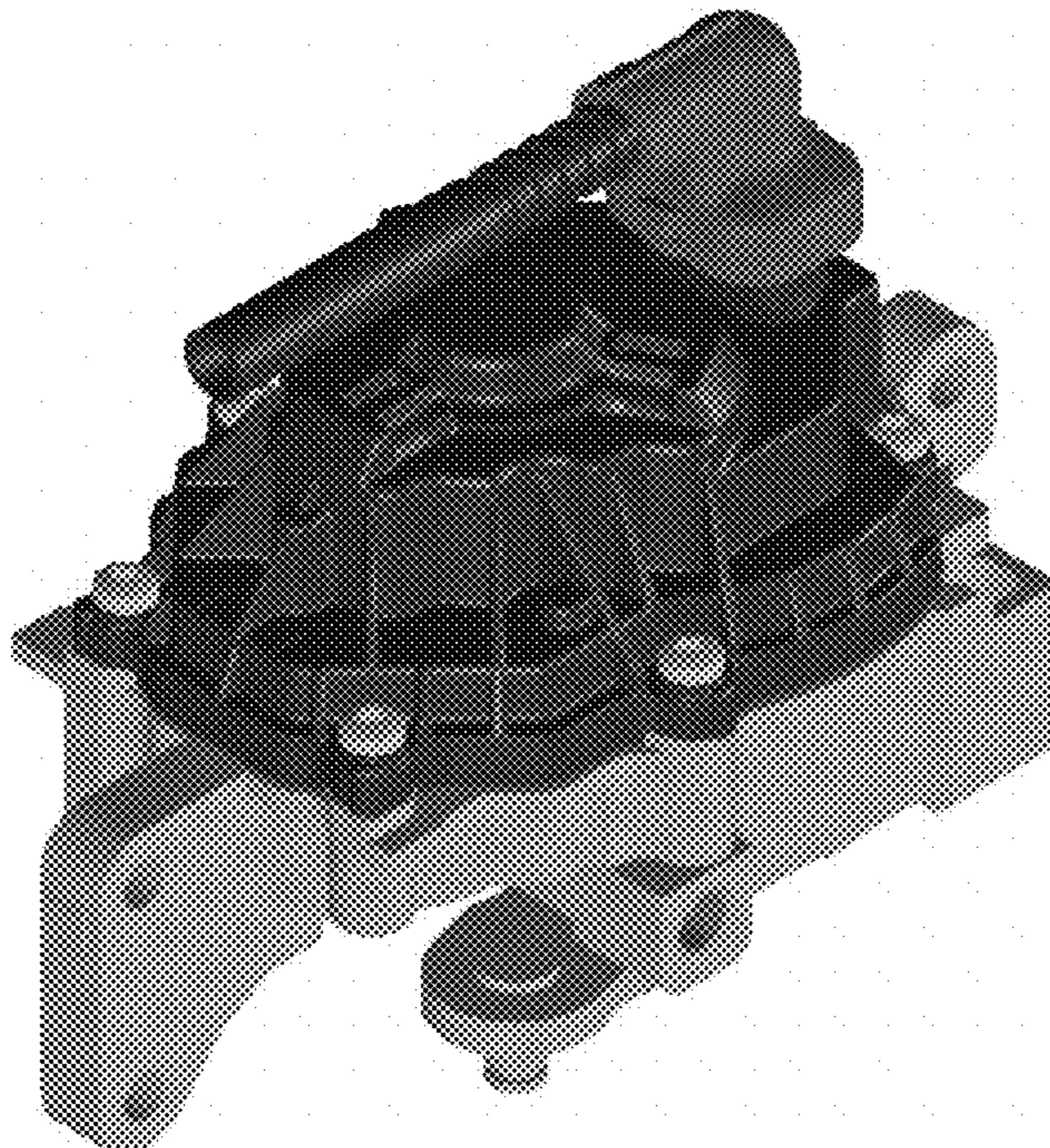
The ornamental design for an electric actuator, as shown and described.

**DESCRIPTION**

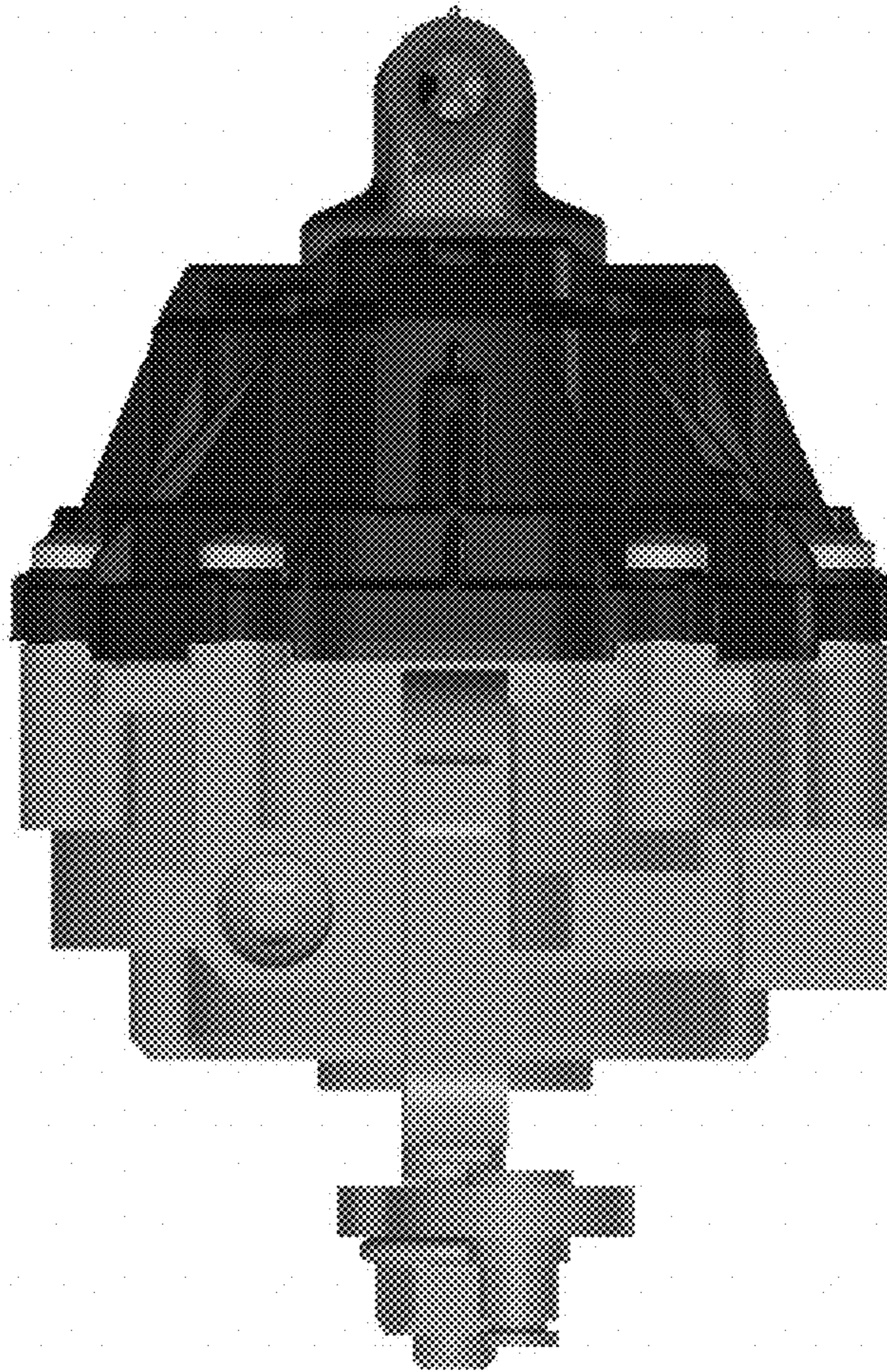
The patent or application file contains at least one drawing executed in color. Copies of this patent or patent application publication with color drawing(s) will be provided by the Office upon request and payment of the necessary fee.

1. Electric actuator
  - 1.1 : Back
  - 1.2 : Front
  - 1.3 : bottom in front right perspective
  - 1.4 : Right
  - 1.5 : Left
  - 1.6 : top in rear right perspective
  - 1.7 : Top

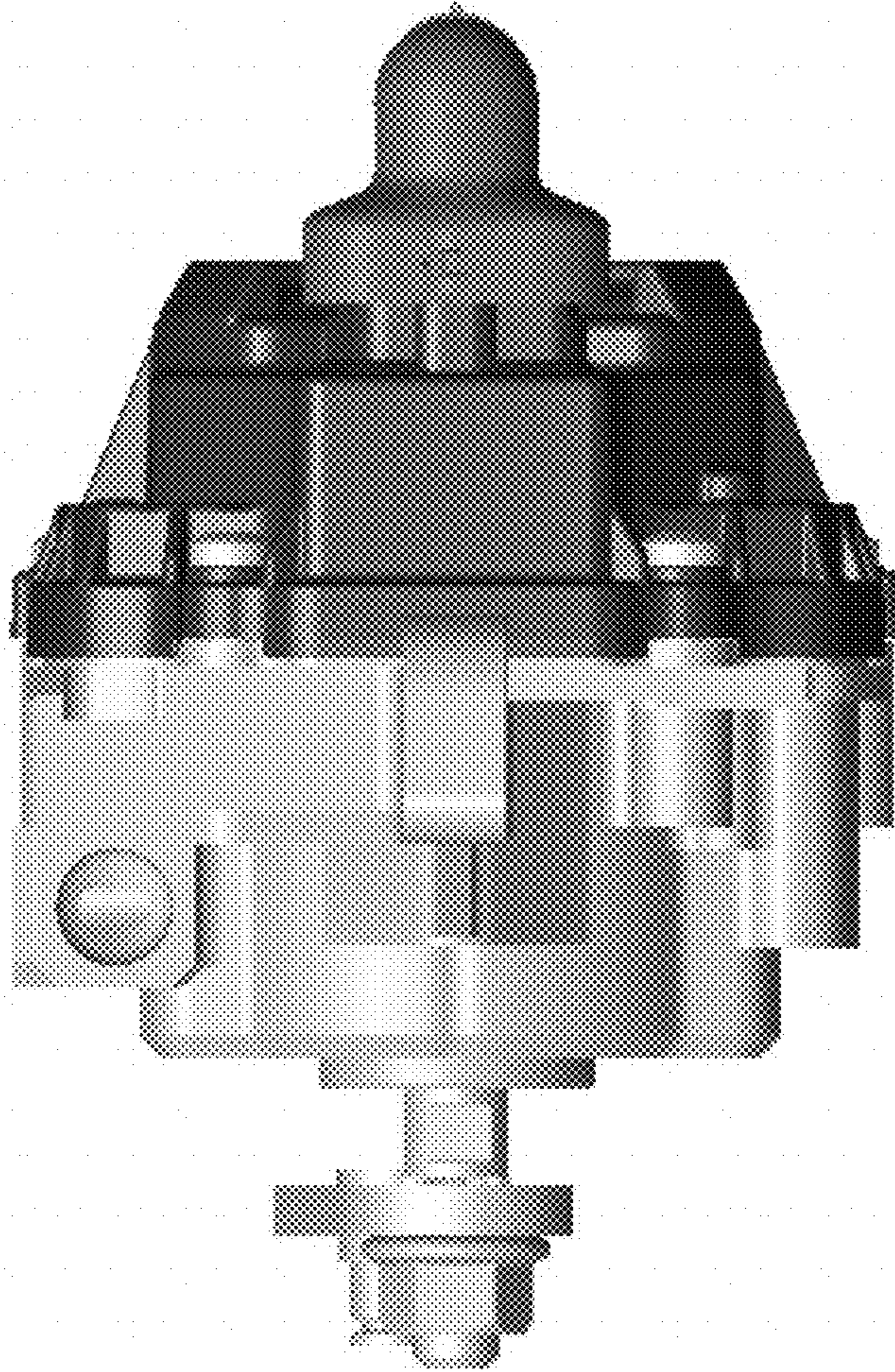
**1 Claim, 7 Drawing Sheets**  
**(7 of 7 Drawing Sheet(s) Filed in Color)**



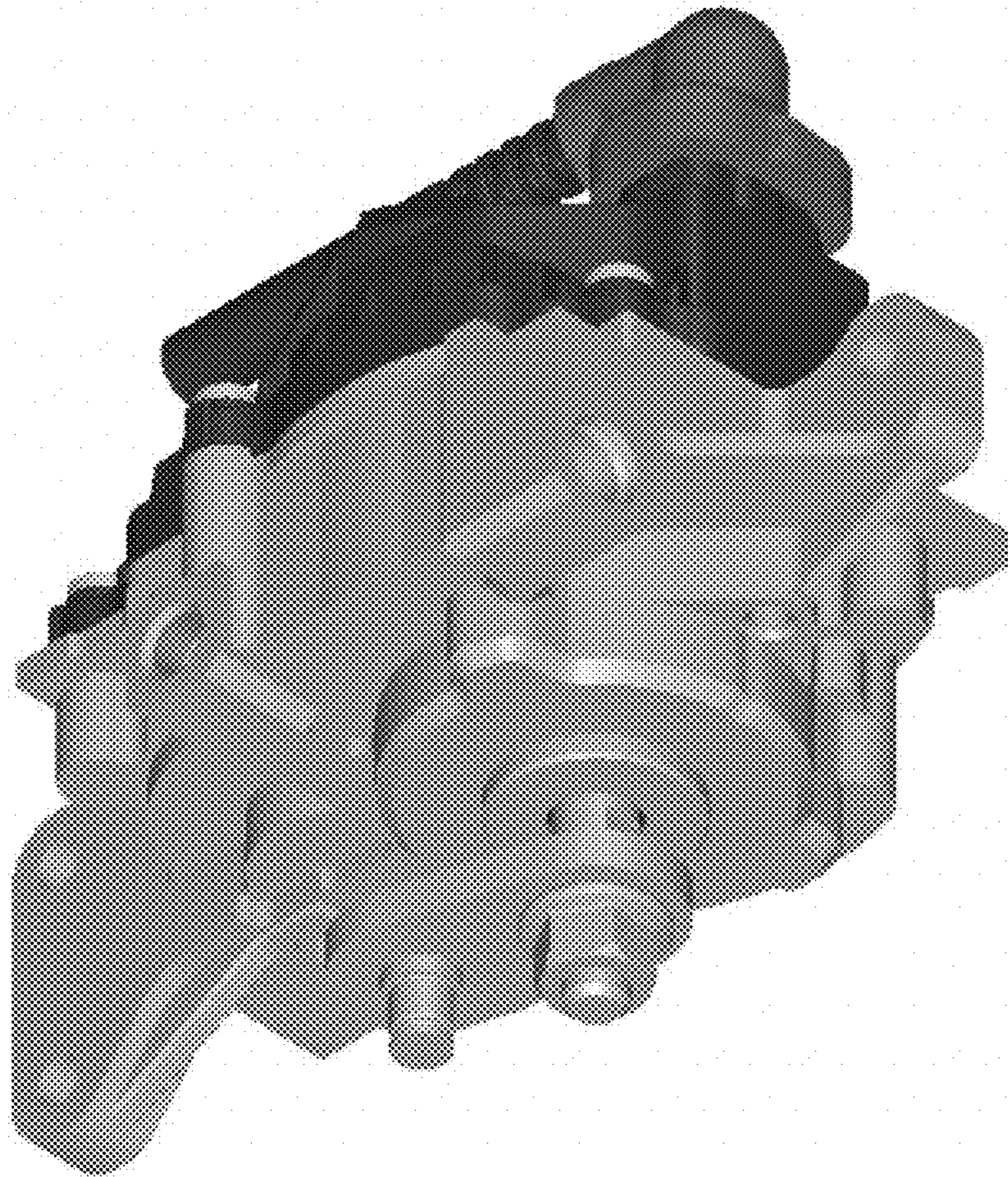
1.1



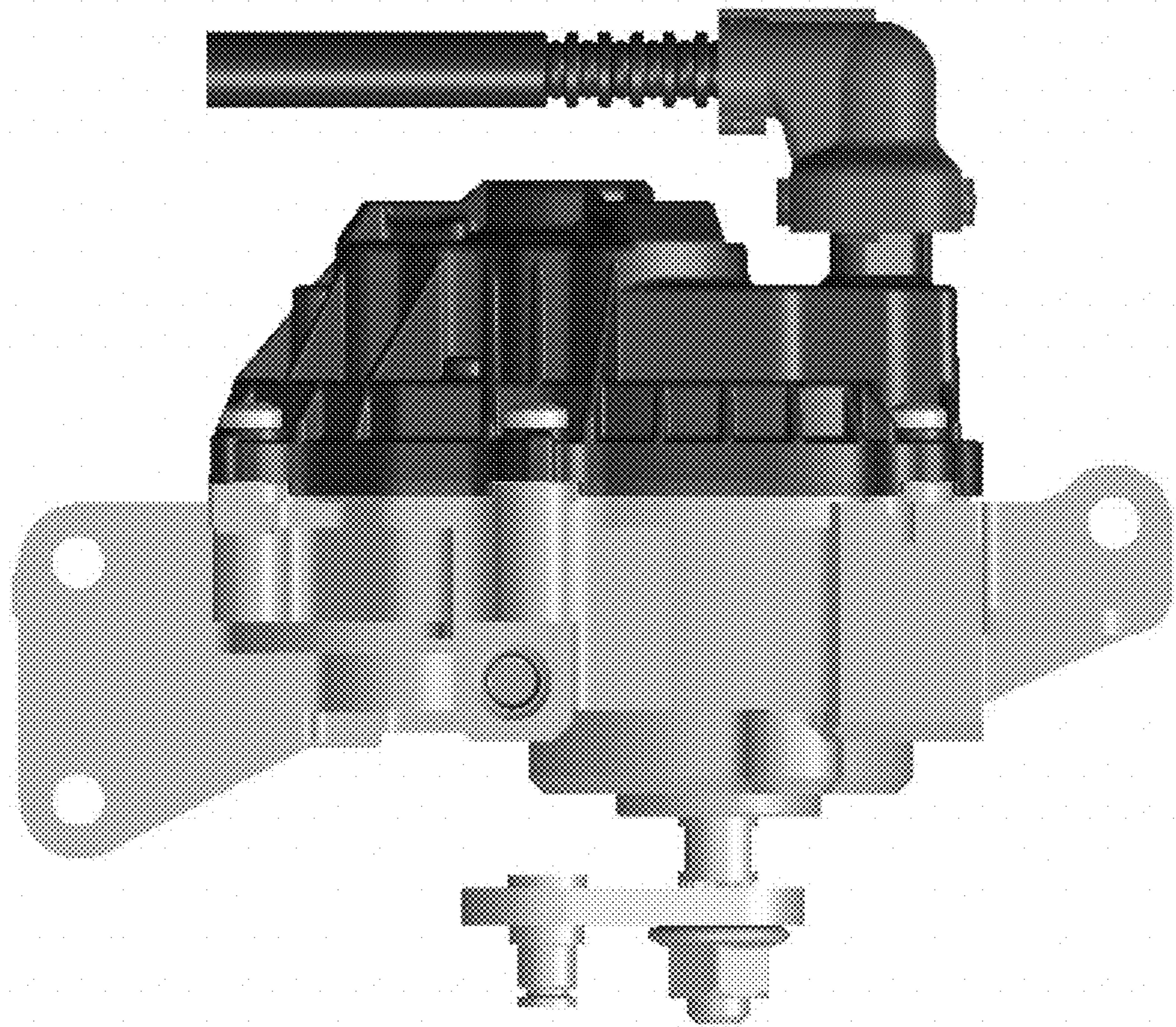
1.2



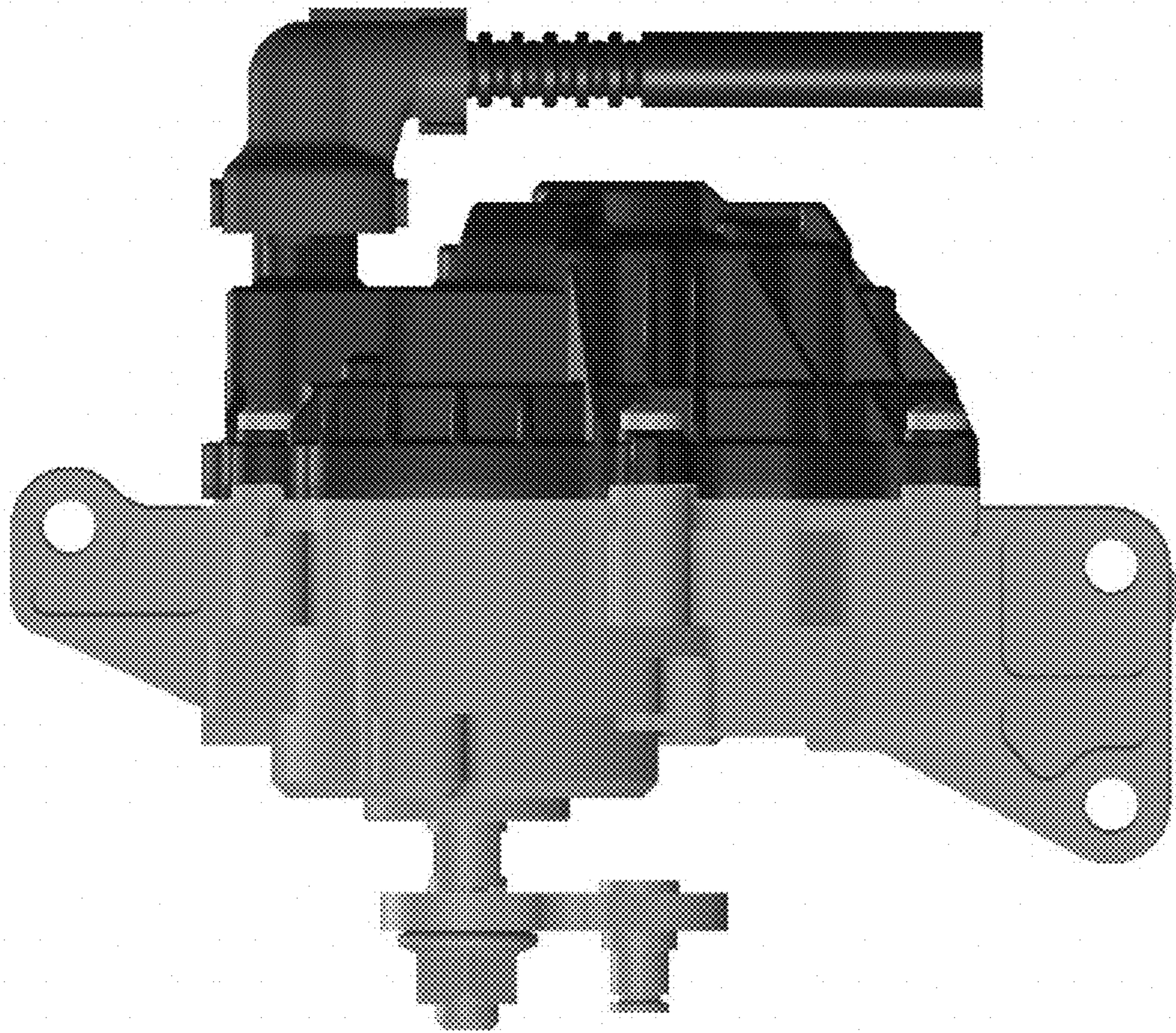
1.3



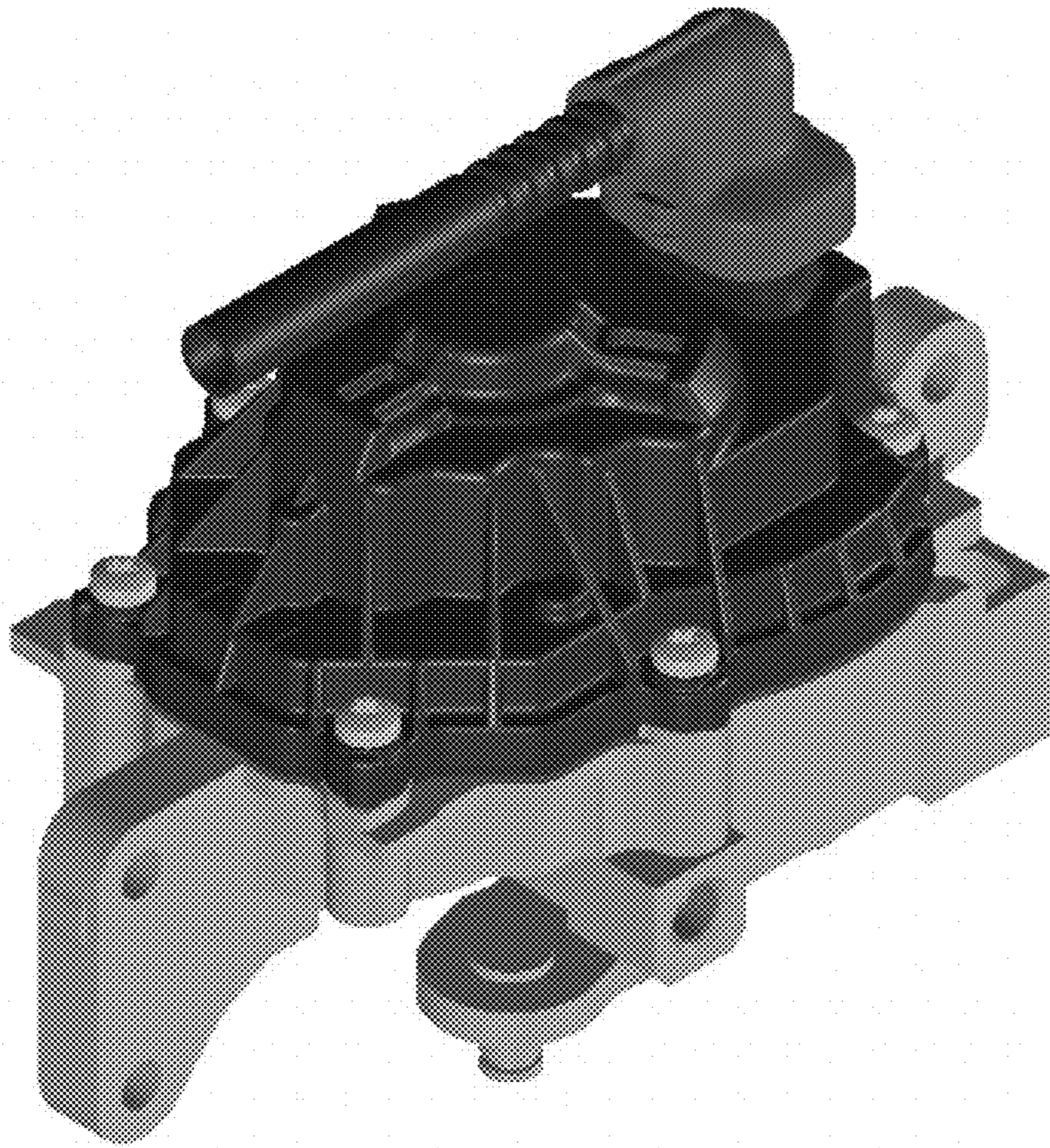
1.4



1.5



1.6



1.7

