



US00D931222S

(12) **United States Design Patent**  
**Ni et al.**

(10) **Patent No.:** **US D931,222 S**

(45) **Date of Patent:** **\*\* Sep. 21, 2021**

(54) **COMBINATION DUPLEX ELECTRICAL  
RECEPTACLE WITH USB CHARGER AND  
INTERCHANGEABLE FACE COVER**

(71) Applicant: **Wenzhou MTLC Electric Appliances  
Co., Ltd, Zhejiang (CN)**

(72) Inventors: **Lidong Ni, Zhejiang (CN); Wei Gao,  
Zhejiang (CN)**

(73) Assignee: **Wenzhou MTLC Electric Appliances  
Co., Ltd., Zhejiang (CN)**

(\*\*) Term: **15 Years**

(21) Appl. No.: **29/598,518**

(22) Filed: **Mar. 27, 2017**

(51) **LOC (13) Cl.** ..... **13-03**

(52) **U.S. Cl.**  
USPC ..... **D13/139.3**

(58) **Field of Classification Search**  
USPC ..... **D13/103, 107, 108, 110, 133,  
D13/137.1-137.4, 138.1-138.2,  
D13/139.1-139.8, 146, 147, 151-156,  
D13/173, 177, 199; D14/432, 433, 435.1,  
D14/250; D23/231, 232; D15/7-9;  
D8/350, 353-356**

CPC ..... **H01R 11/00; H01R 9/00; H01R 13/00;  
H01R 13/04; H01R 13/10; H01R  
13/6666; H01R 13/6675; H01R 25/00;  
H01R 25/006; H01H 2207/00; H01H  
2207/022; Y02E 60/12; Y02E 60/122;  
Y02E 60/124; Y02E 60/50; H01M 2/02;  
H01M 2/022; H01M 2/0202; H01M  
2/0207; H01M 2/0212; H01M 2/1061;  
H01M 2/1022; H01M 2/1055; H01M  
2/1066; H01M 2/105; H01M 2/204; H02J  
7/00; H02J 7/0003; H02J 7/0011; H02J  
7/0013; H02J 7/0054; H02J 7/0055; H02J  
7/0057; Y02T 10/7005; Y02T 10/705;  
Y02T 10/7088; B60L 11/1809; B60L  
11/1861**

See application file for complete search history.

(56) **References Cited**

U.S. PATENT DOCUMENTS

D535,255 S \* 1/2007 Bazayev ..... D13/139.3  
D535,256 S \* 1/2007 Fort ..... D13/139.3  
D558,676 S \* 1/2008 Fort ..... D13/139.3  
D571,730 S \* 6/2008 Kidman ..... D13/139.3

(Continued)

OTHER PUBLICATIONS

Amazon.com: Topgreener TU215448AC Topgreener USB  
Outlet . . . Date First Available of May 16, 2016. Retrieved from the  
internet at <[https://www.amazon.com/Topgreener-Charging-Resistant-  
Receptacle-Unbreakable/dp/B01FREZ8VE/](https://www.amazon.com/Topgreener-Charging-Resistant-<br/>Receptacle-Unbreakable/dp/B01FREZ8VE/)>, Jan. 16, 2020. 12 pages.  
(Year: 2016).\*

*Primary Examiner* — Christy Nemeth

(74) *Attorney, Agent, or Firm* — Ziegler IP Law Group,  
LLC

(57) **CLAIM**

The ornamental design for a combination duplex electrical  
receptacle with USB charger and interchangeable face  
cover, as shown and described.

**DESCRIPTION**

FIG. 1 is a perspective view of a combination duplex  
electrical receptacle with USB charger and interchangeable  
face cover;

FIG. 2 is a front elevation view thereof;

FIG. 3 is a left side view thereof;

FIG. 4 is a right side view thereof;

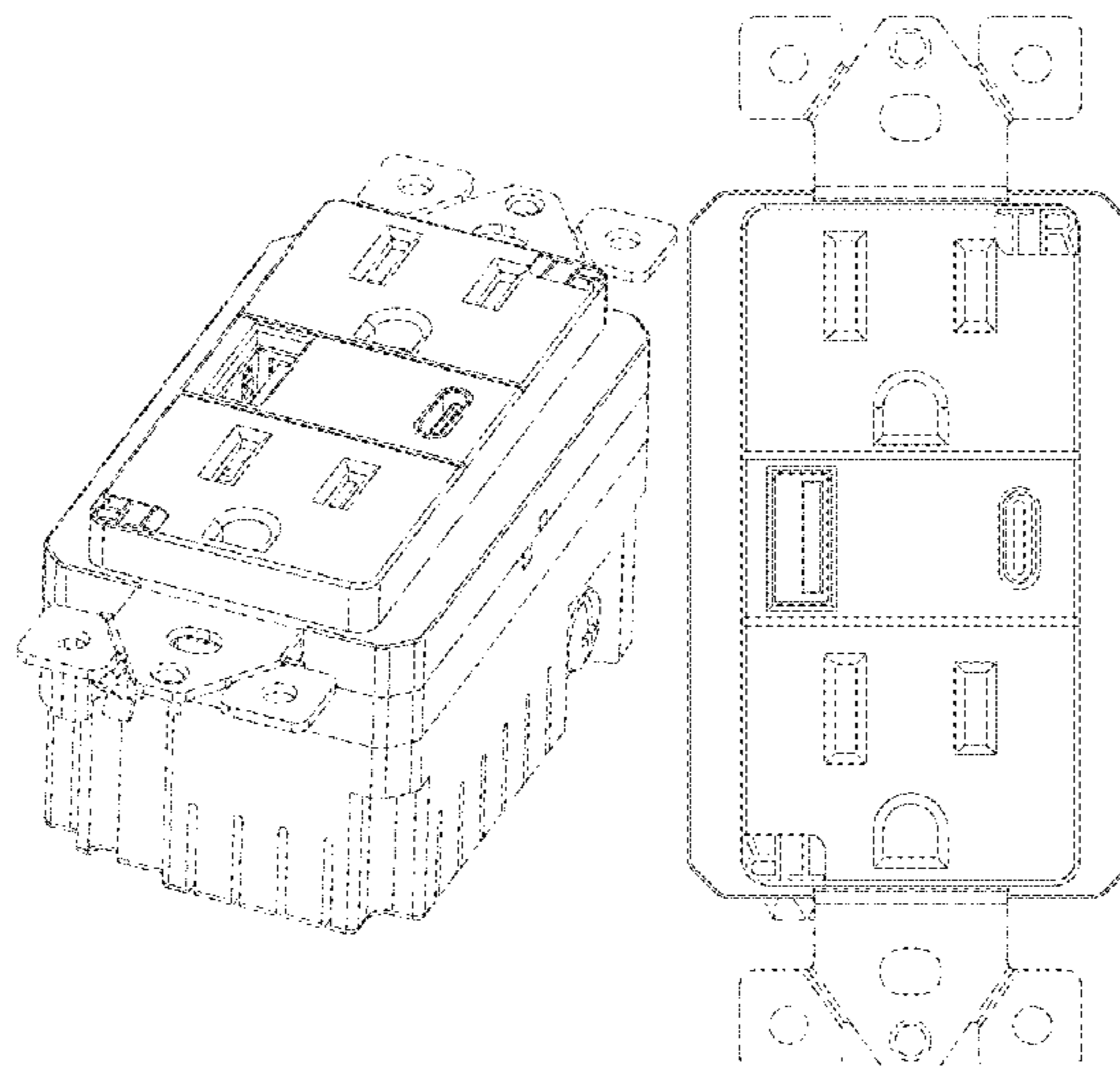
FIG. 5 is a top plan view thereof;

FIG. 6 is a bottom plan view thereof; and,

FIG. 7 is a rear elevation view thereof.

The broken lines in the drawings are for the purpose of  
illustrating portions of the combination duplex electrical  
receptacle with USB charger and interchangeable face cover  
that form no part of the claimed design.

**1 Claim, 7 Drawing Sheets**



(56)

References Cited

U.S. PATENT DOCUMENTS

D601,962 S *	10/2009	Song	.....	D13/139.6	D839,829 S *	2/2019	Weeks	.....	D13/139.6
D667,794 S *	9/2012	Junko	.....	D13/139.1	D839,830 S *	2/2019	Weeks	.....	D13/139.6
D674,753 S *	1/2013	Jansen	.....	D13/139.1	D840,346 S *	2/2019	Weeks	.....	D13/139.3
D686,577 S *	7/2013	Flagello	.....	D13/152	D840,348 S *	2/2019	Weeks	.....	D13/139.6
D702,640 S *	4/2014	Restrepo	.....	D13/139.1	D840,349 S *	2/2019	Weeks	.....	D13/139.6
D703,139 S *	4/2014	Dodal	.....	D13/139.1	D845,245 S *	4/2019	Tao	.....	D13/139.3
D705,734 S *	5/2014	Dodal	.....	D13/139.1	D851,042 S *	6/2019	Pan	.....	D13/139.1
D715,224 S *	10/2014	Junko	.....	D13/139.1	D853,333 S *	7/2019	Salas	.....	D13/139.3
D719,511 S *	12/2014	Dodal	.....	D13/139.1	D856,935 S *	8/2019	Pan	.....	D13/139.3
D719,512 S *	12/2014	Roy	.....	D13/139.6	D858,444 S *	9/2019	Ni	.....	D13/137.1
D719,915 S *	12/2014	McMahon	.....	D13/139.1	D858,445 S *	9/2019	Ni	.....	D13/137.1
D722,562 S *	2/2015	Restrepo	.....	D13/139.1	D870,046 S *	12/2019	Salas	.....	D13/139.3
D731,432 S *	6/2015	Murphy	.....	D13/139.1	D870,047 S *	12/2019	Salas	.....	D13/139.3
D732,719 S *	6/2015	Mozdzer	.....	D13/139.1	D870,671 S *	12/2019	Salas	.....	D13/139.3
D744,423 S *	12/2015	Junko	.....	D13/139.1	2011/0104919 A1 *	5/2011	Patel	.....	H01R 25/006 439/137
D744,952 S *	12/2015	Ni	.....	D13/139.3	2013/0242440 A1 *	9/2013	Bonasia	.....	H02H 3/33 361/49
9,484,682 B2 *	11/2016	Ni	.....	H01R 27/02	2015/0038006 A1 *	2/2015	Jansen	.....	H02J 7/0021 439/535
D778,239 S *	2/2017	Ni	.....	D13/108	2016/0181047 A1 *	6/2016	Simonin	.....	H01R 13/7135 200/51 R
9,564,745 B1 *	2/2017	Ni	.....	H02G 3/14	2017/0162985 A1 *	6/2017	Randall	.....	H02G 3/12
D800,662 S *	10/2017	Wu	.....	D13/137.1	2018/0366954 A1 *	12/2018	Scanzillo	.....	H02J 7/007
D813,818 S *	3/2018	Ni	.....	D13/137.2	2019/0097364 A1 *	3/2019	Mortun	.....	H01R 13/6683
D817,281 S *	5/2018	Salas	.....	D13/137.2	2019/0159318 A1 *	5/2019	Mozdzer	.....	H01R 13/7175
D817,884 S *	5/2018	Salas	.....	D13/137.2	2019/0181594 A1 *	6/2019	Ridgeway	.....	H01H 83/04
D817,885 S *	5/2018	Salas	.....	D13/137.2					
D820,211 S *	6/2018	Salas	.....	D13/137.2					
D825,469 S *	8/2018	Pan	.....	D13/139.1					

\* cited by examiner

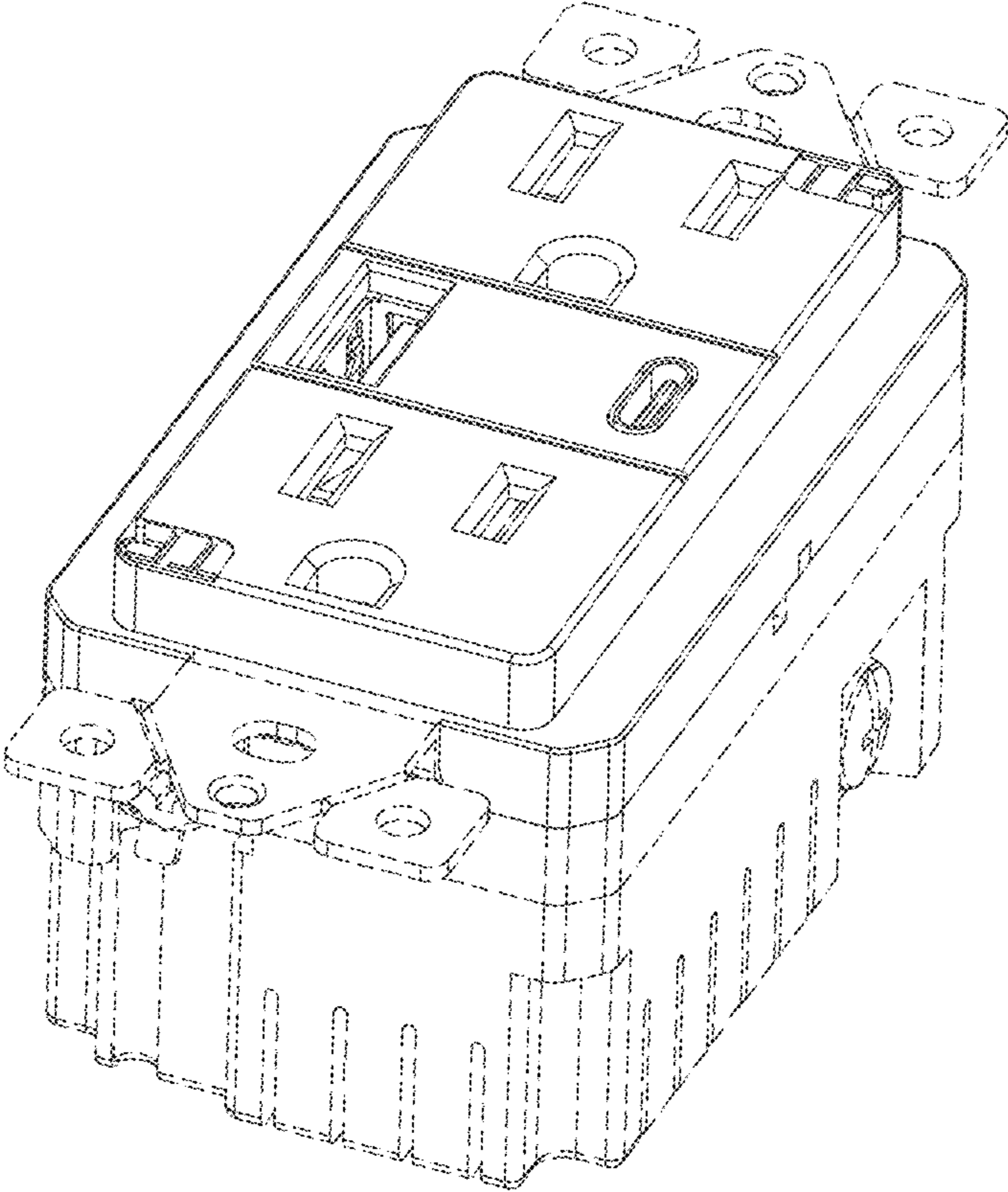


FIG 1

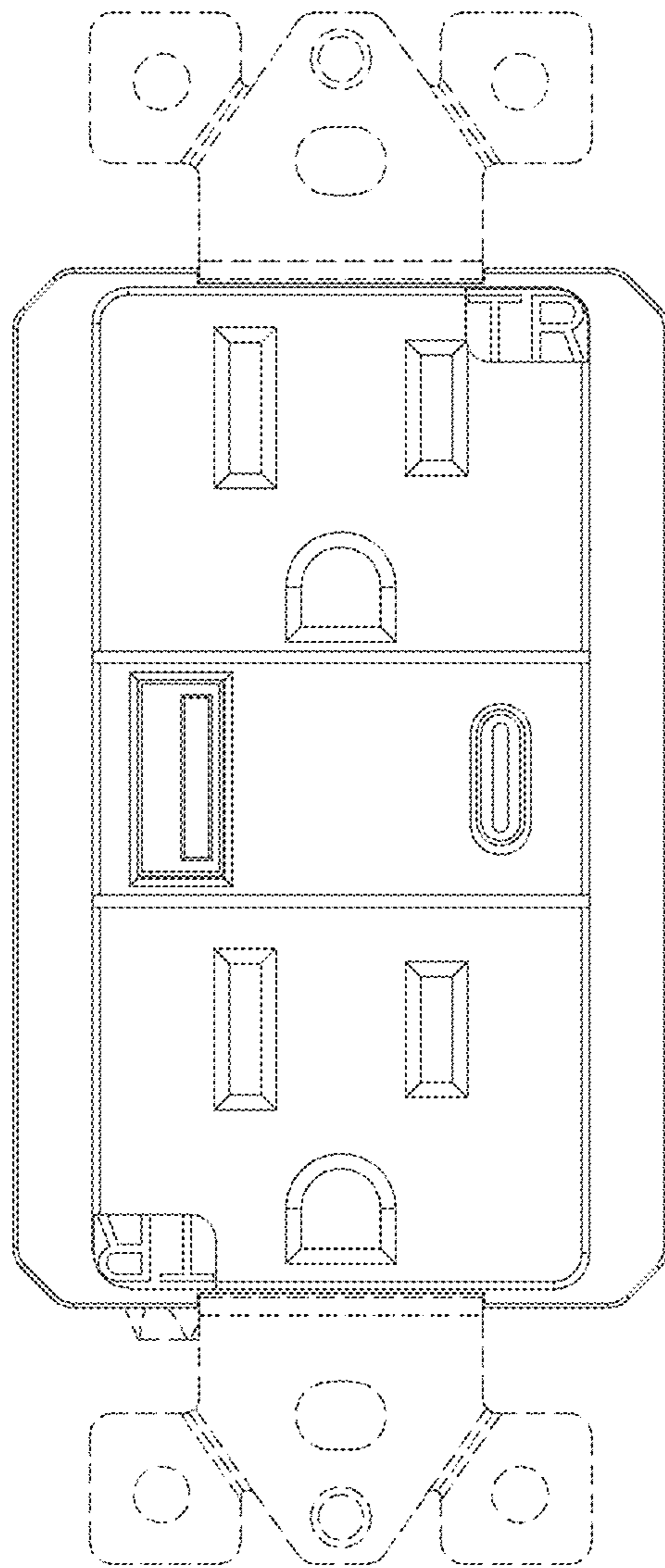


FIG 2

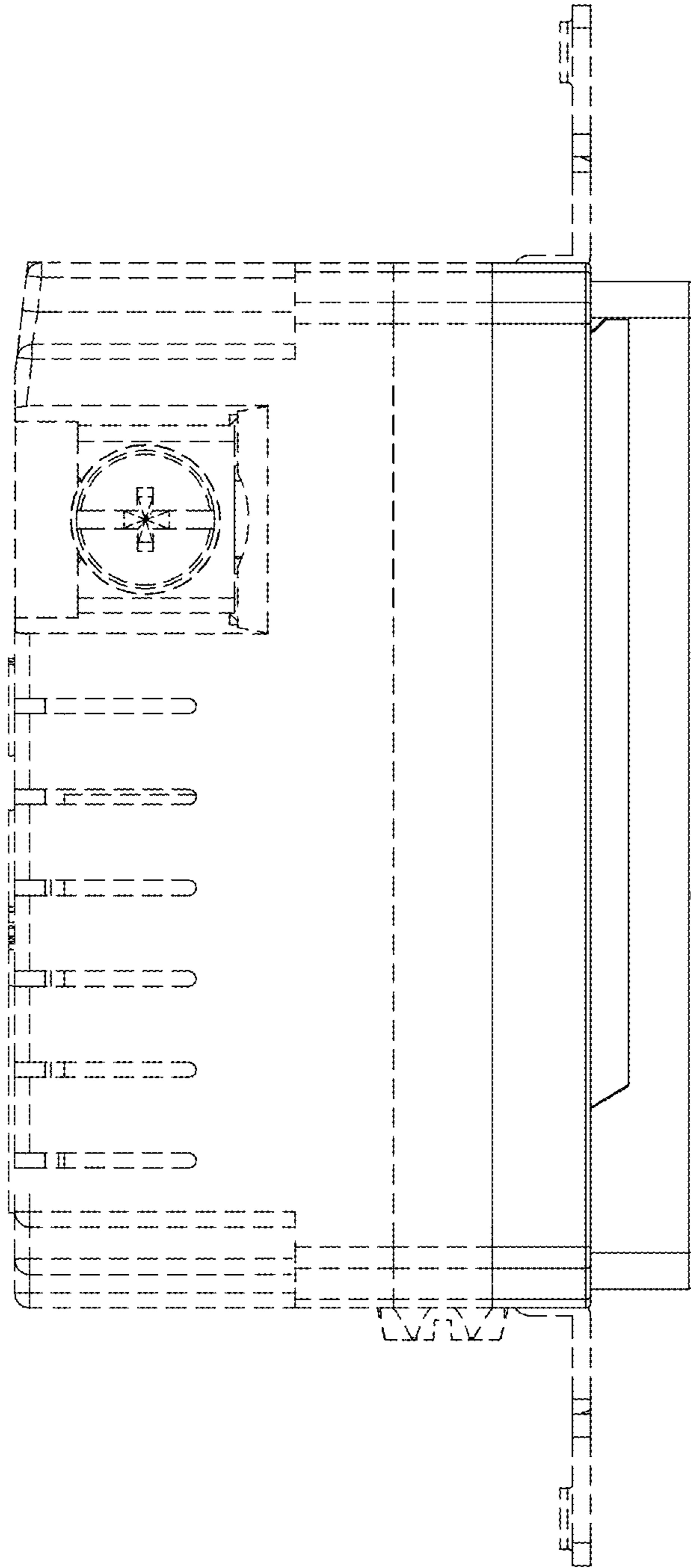


FIG 3

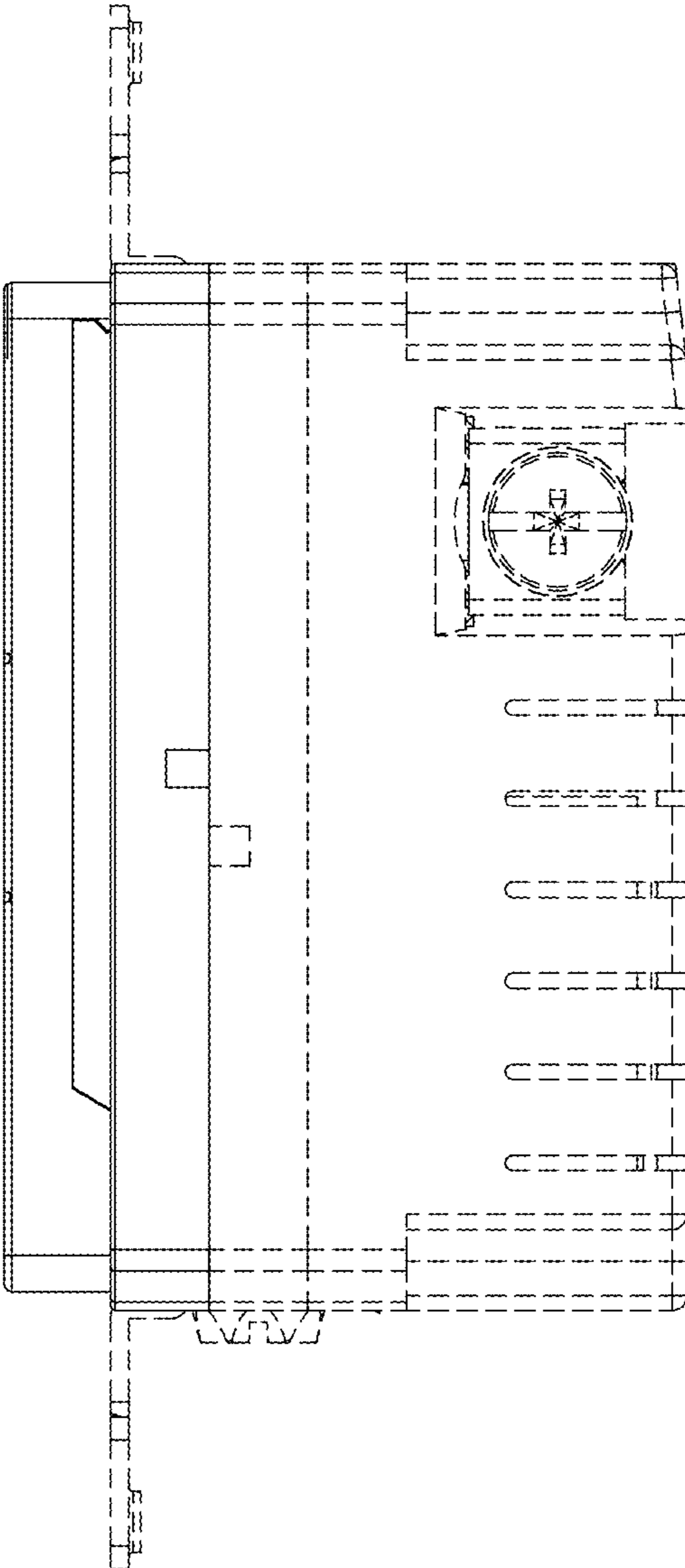


FIG 4

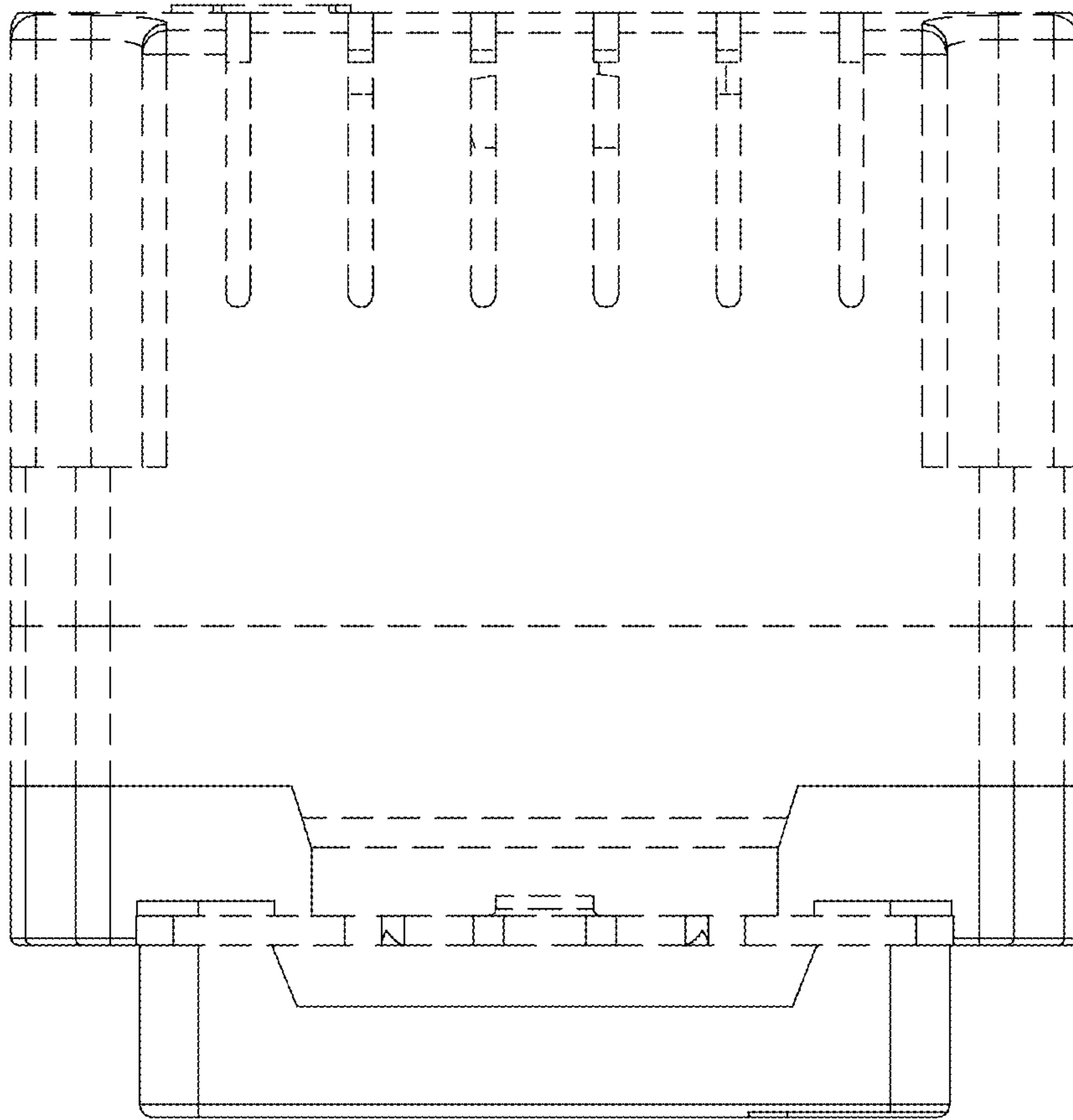


FIG 5

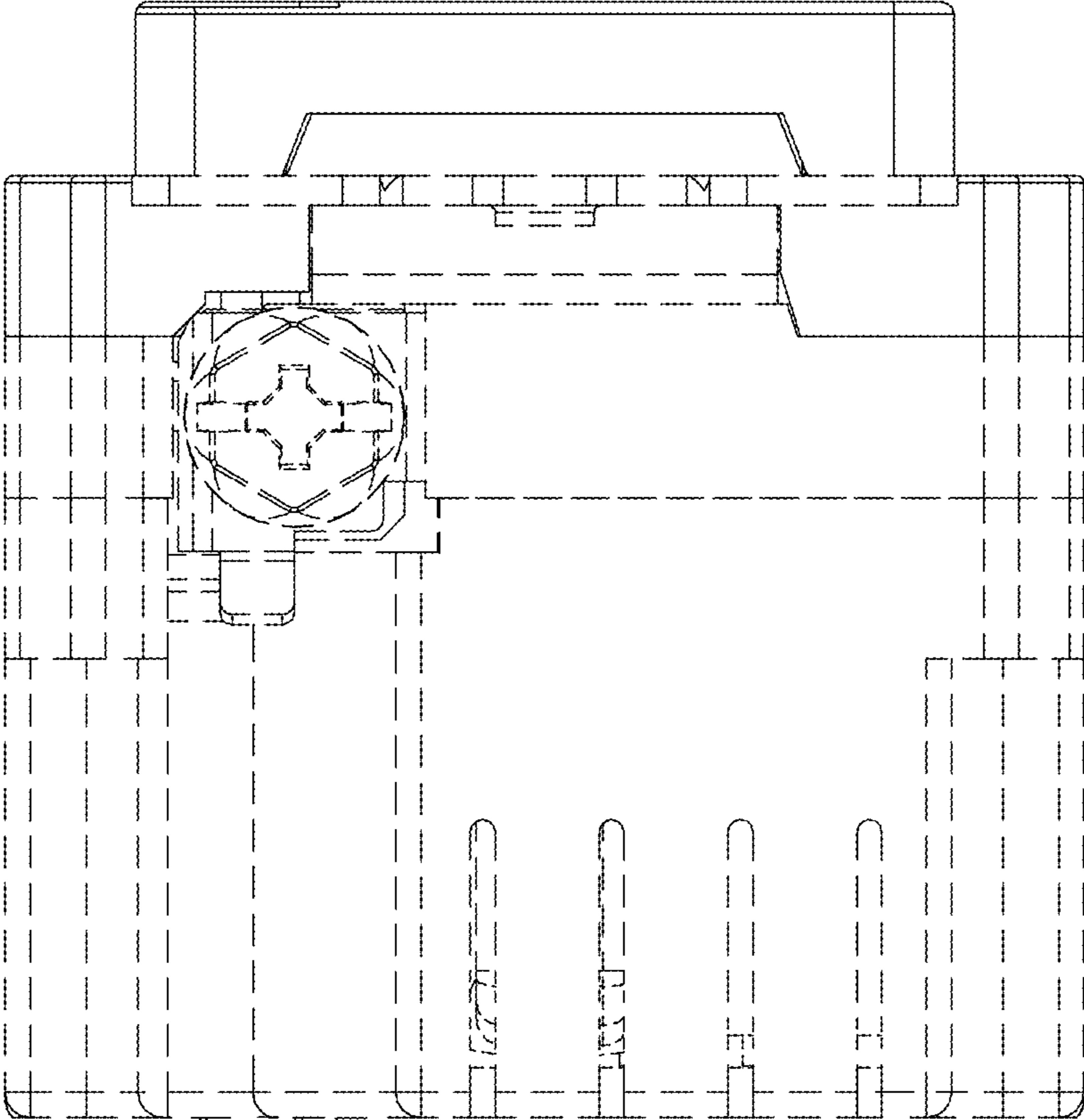


FIG 6



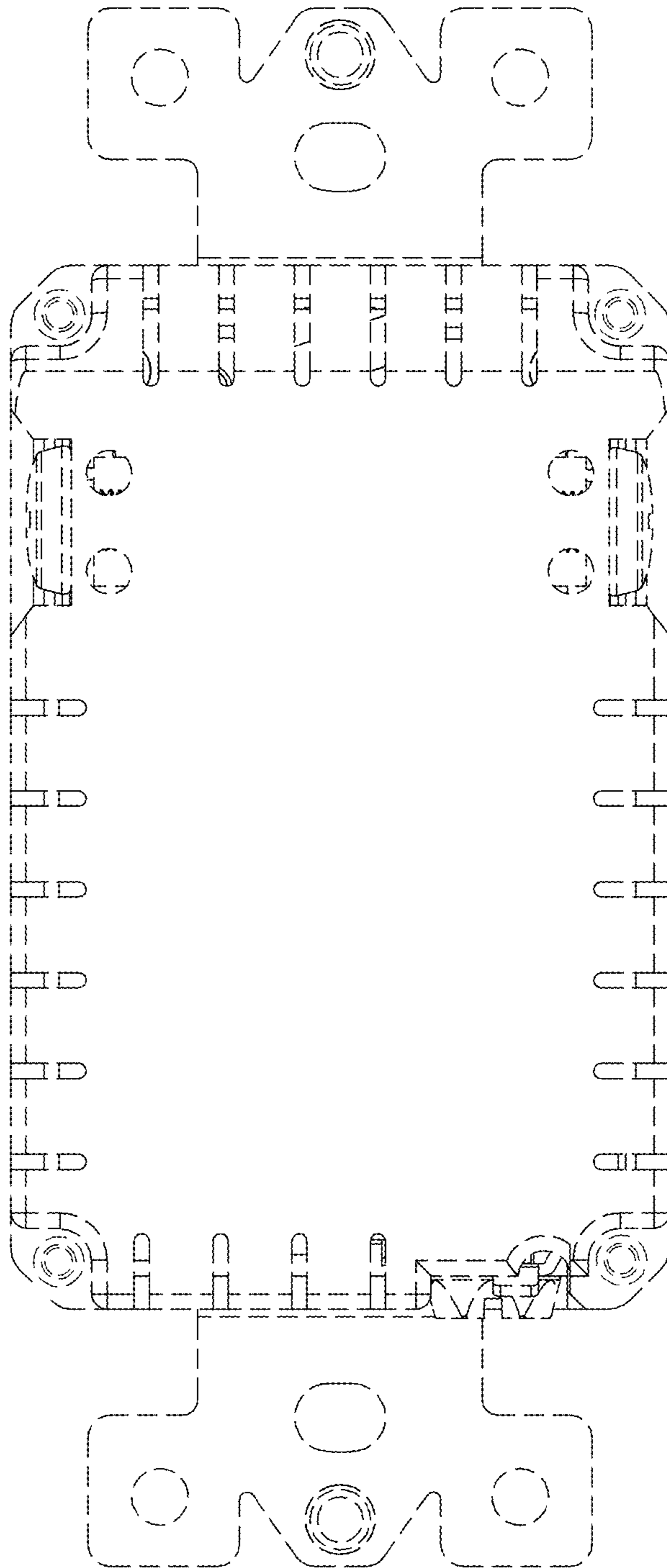


FIG 7