



US00D931221S

(12) **United States Design Patent** (10) **Patent No.:** **US D931,221 S**
Hong (45) **Date of Patent:** **** Sep. 21, 2021**

(54) **CHARGER FOR WALKIE-TALKIE**

(71) Applicant: **Shaohua Hong**, Fujian (CN)

(72) Inventor: **Shaohua Hong**, Fujian (CN)

(**) Term: **15 Years**

(21) Appl. No.: **29/710,519**

(22) Filed: **Oct. 24, 2019**

(30) **Foreign Application Priority Data**

Jul. 4, 2019 (CN) 201930351922.0

(51) **LOC (13) Cl.** **13-03**

(52) **U.S. Cl.**
USPC **D13/138.1**; D13/108

(58) **Field of Classification Search**
USPC D13/101, 103, 107, 108, 109, 110, 117,
D13/118, 119, 120, 123, 133, 137.1,
D13/137.2, 137.4, 138.1, 138.2, 139.7,
D13/146, 153, 199; D14/137, 230, 233,
D14/234, 432, 433; D16/242, 243
CPC H01R 29/00; H01R 11/00; H01R 13/46
See application file for complete search history.

(56) **References Cited**

U.S. PATENT DOCUMENTS

6,320,353	B1 *	11/2001	Chiu	H01R 31/06 320/107
D481,674	S *	11/2003	Sade	D13/108
D587,191	S *	2/2009	Kim	D13/108
D592,133	S *	5/2009	Dong	D13/108
7,638,968	B2 *	12/2009	Inoue	H01R 31/06 320/107
D614,130	S *	4/2010	Nylen	D13/108
D669,434	S *	10/2012	Kim	D13/110
D676,810	S *	2/2013	Smith	D13/110
D726,655	S *	4/2015	Yohai-Giochais	D13/138.1
D751,039	S *	3/2016	Ptok	D13/146

D773,392	S *	12/2016	Paschke	D13/108
D867,285	S *	11/2019	Akana	D13/110
2010/0253283	A1 *	10/2010	Francois	H02J 7/0042 320/114

OTHER PUBLICATIONS

“Samsung Micro Travel Adapter”. Found online Jan. 14, 2021 at egypt.souq.com. Reference dated May 4, 2015. Retrieved from <https://egypt.souq.com/eg-en/samsung-micro-travel-adapter-4596613/i/>. (Year: 2015).*

“EU Plug Power Adapter Charger”. Found online Feb. 3, 2021 at dx.com. Reference dated Jan. 21, 2013. Retrieved from <https://www.dx.com/p/universal-dual-usb-eu-plug-ac-power-adapter-charger-white-100-240v-2029928.html#customeReviewTabsPanel>. (Year: 2013).*

“Wall Charger for Midland X-Tra Talk”. Found online Jan. 28, 2021 at amazon.com. Reference dated Jan. 21, 2013. Retrieved from <https://www.amazon.com/Charger-Replacement-Midland-GXT1030VP4-GXT1050VP4/dp/B01N1TTSOC>. (Year: 2013).*

* cited by examiner

Primary Examiner — Kendra Leslie Hamilton

Assistant Examiner — Amanda Christensen

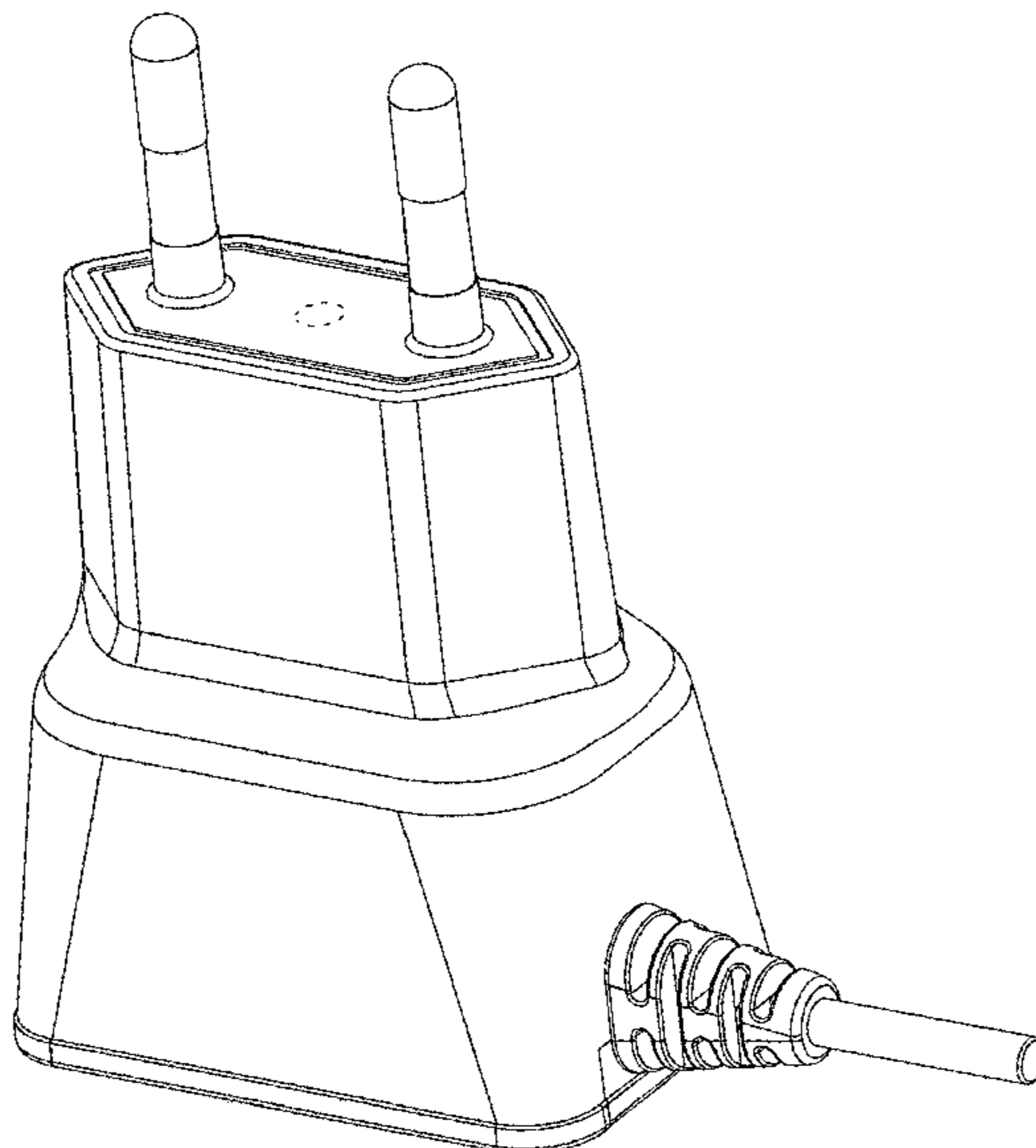
(57) **CLAIM**

The ornamental design for a charger for walkie-talkie, as shown and described.

DESCRIPTION

FIG. 1 is a front elevational view of a charger for walkie-talkie showing my new design;
FIG. 2 is a rear elevational view thereof;
FIG. 3 is a left side elevational view thereof;
FIG. 4 is a right side elevational view thereof;
FIG. 5 is a top plan view thereof;
FIG. 6 is a bottom plan view thereof; and,
FIG. 7 is a top, front, right side perspective view thereof.
The broken lines in the drawings depict portions of the charger for walkie-talkie that form no part of the claimed design.

1 Claim, 7 Drawing Sheets



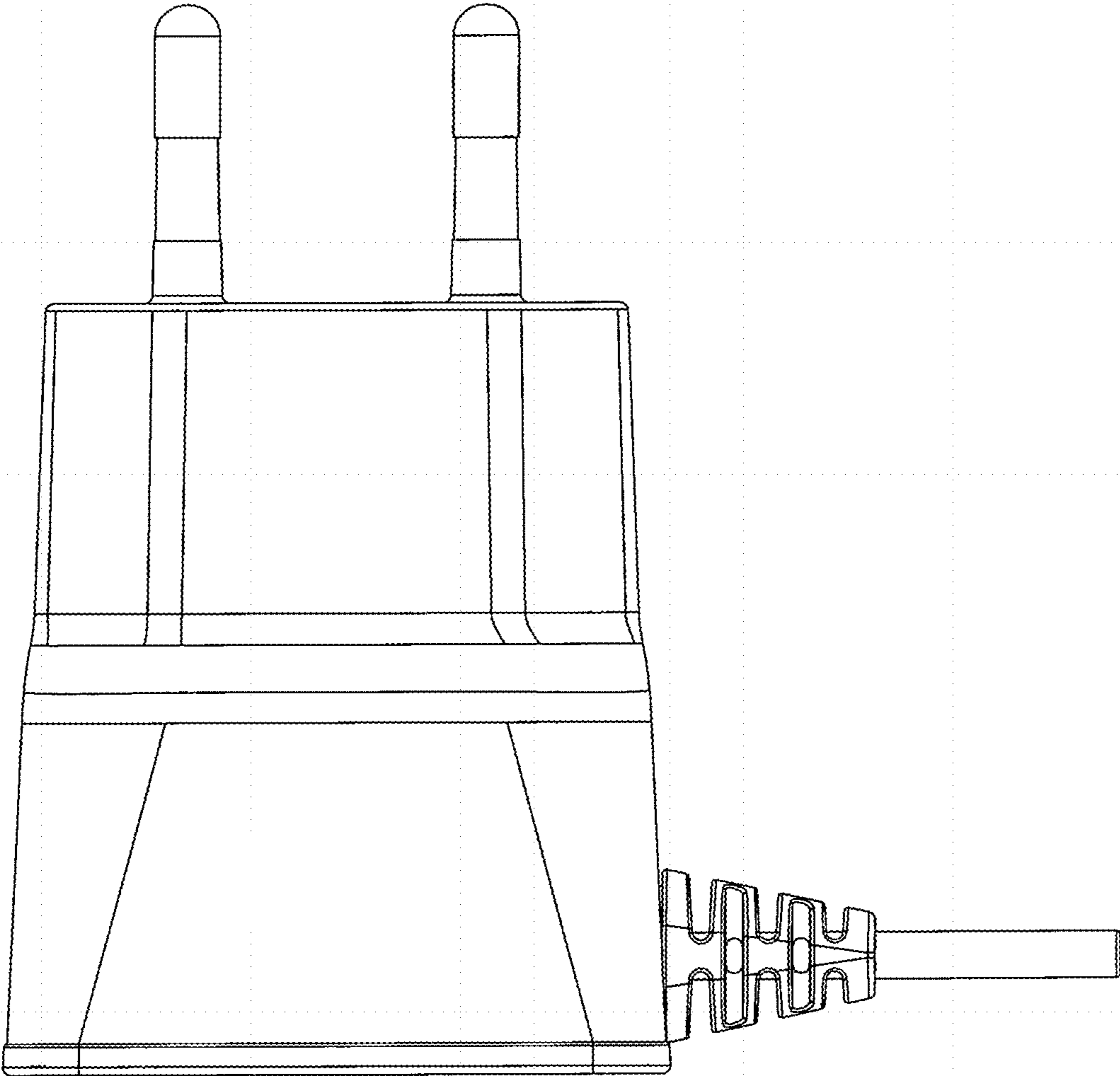


FIG. 1

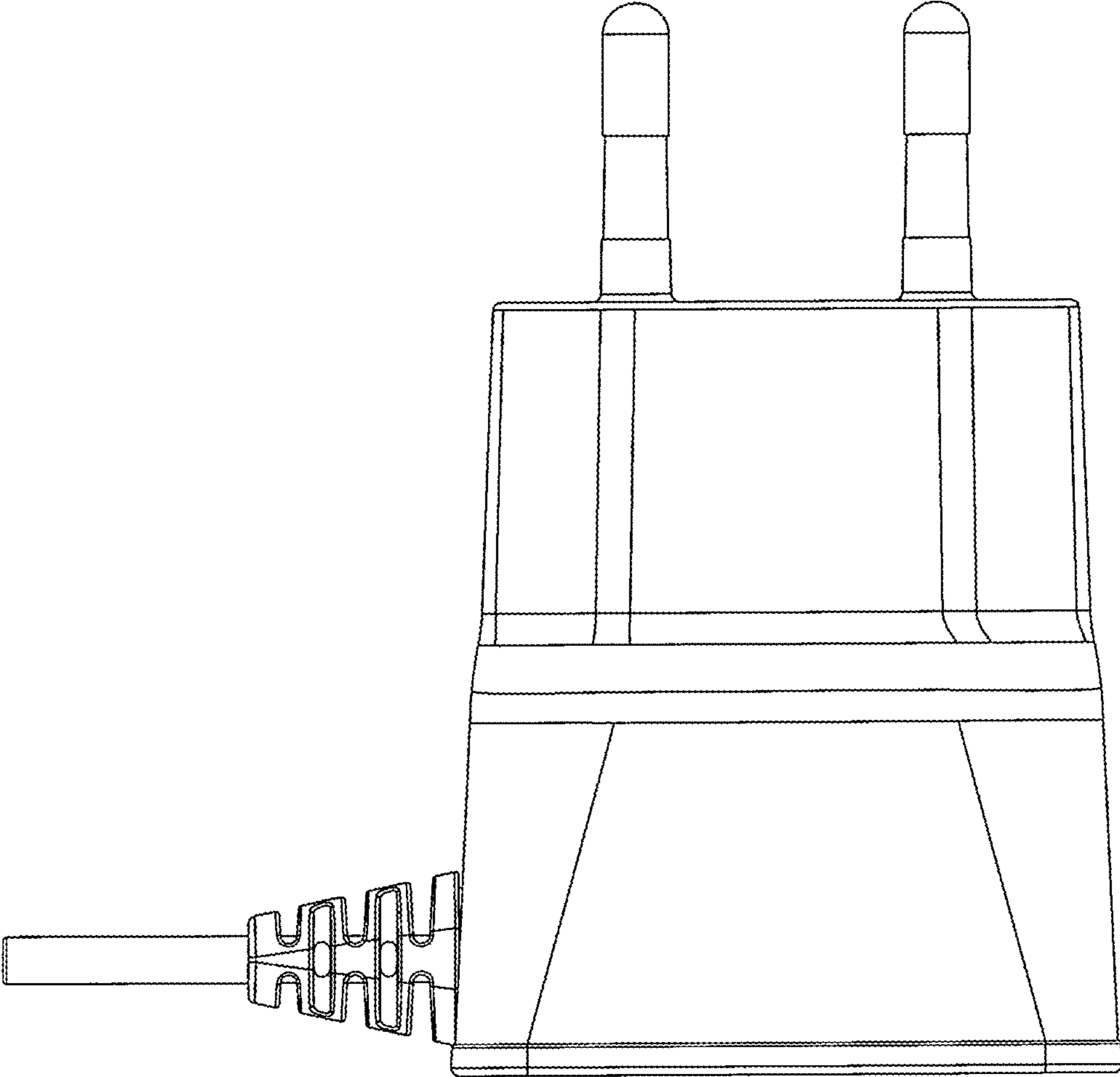


FIG. 2

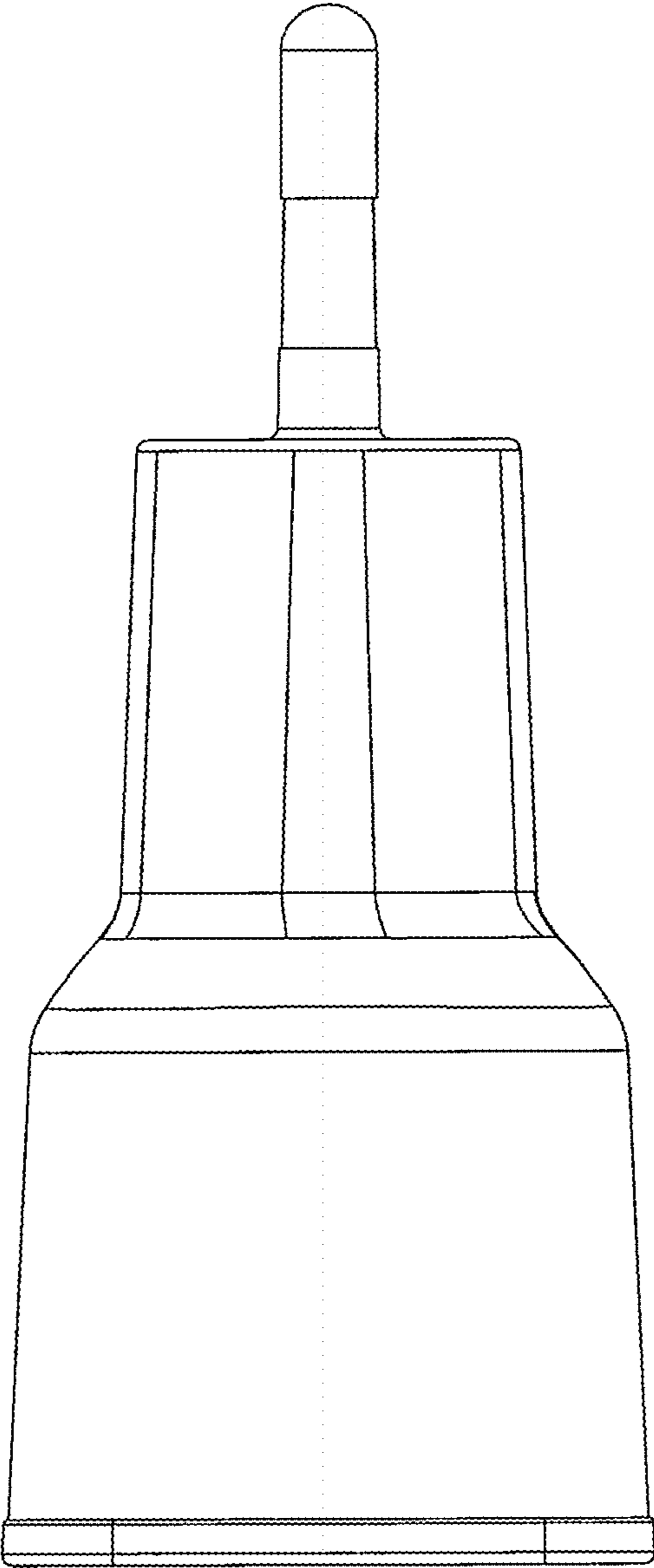


FIG. 3

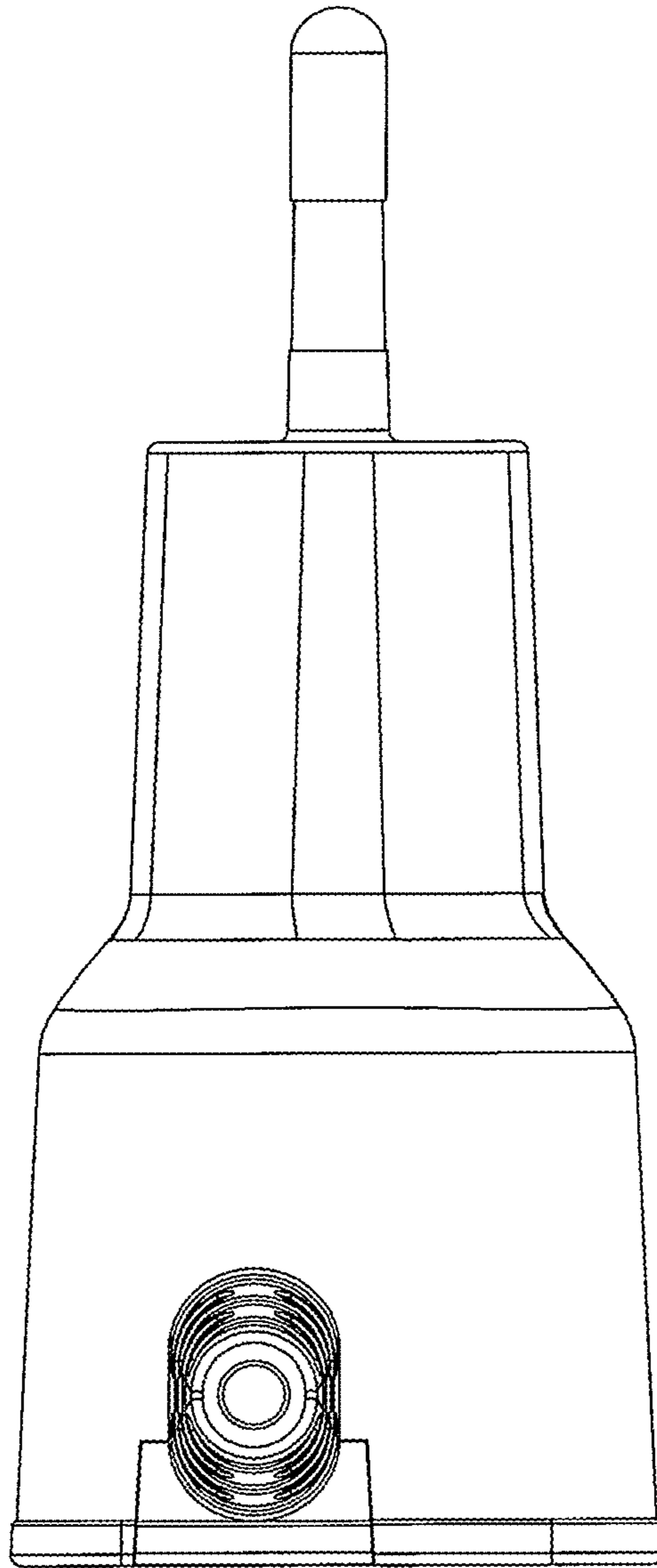


FIG. 4

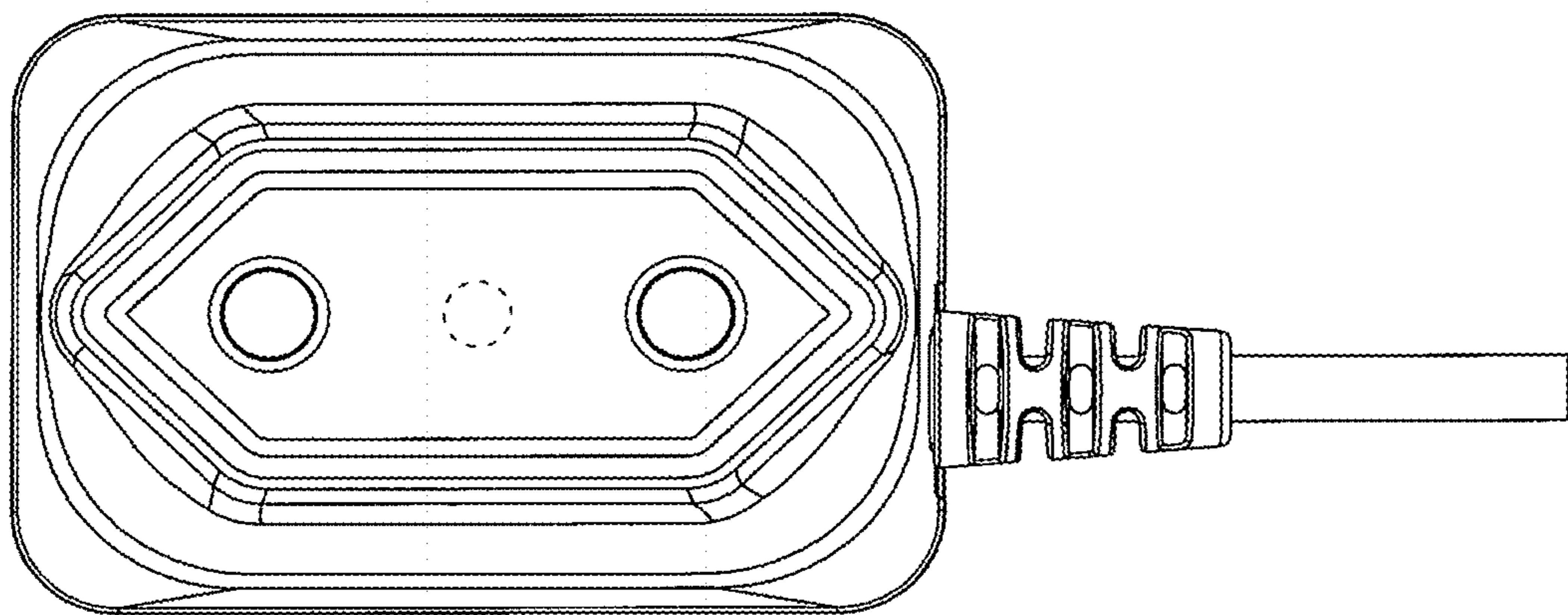


FIG. 5

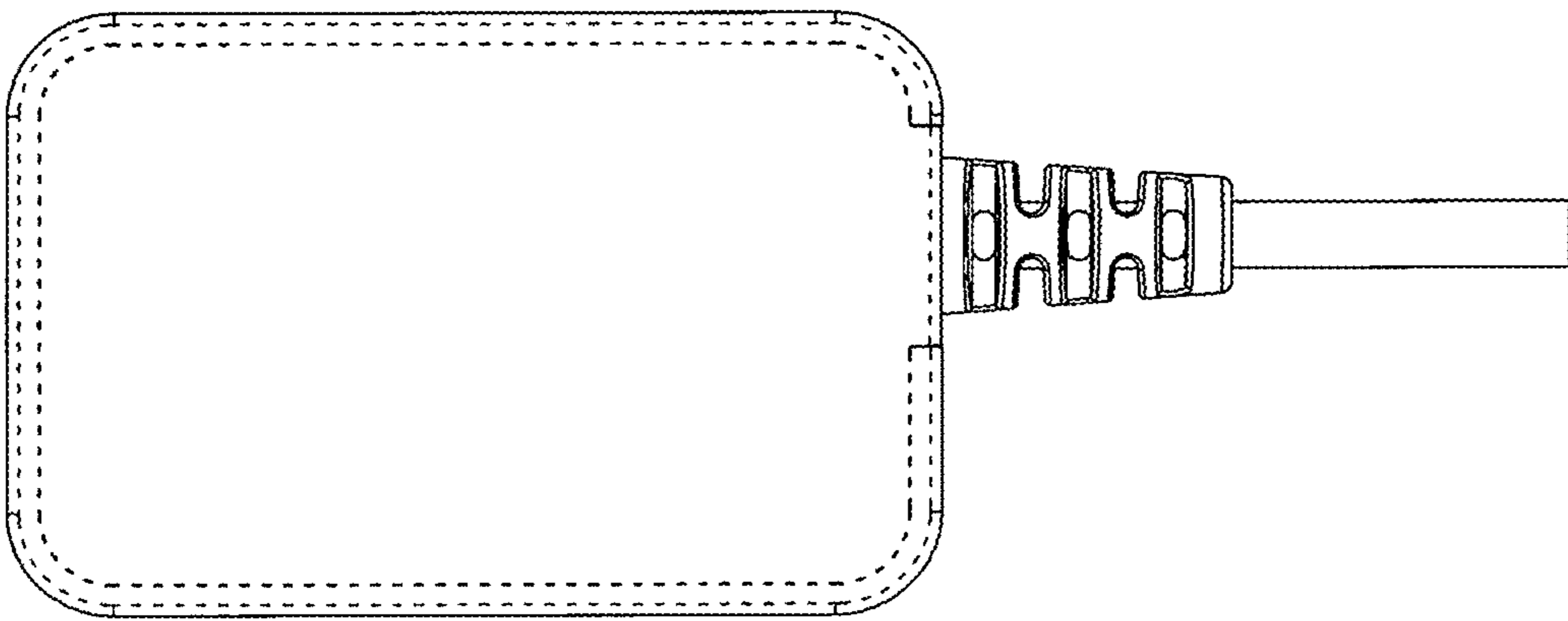


FIG. 6

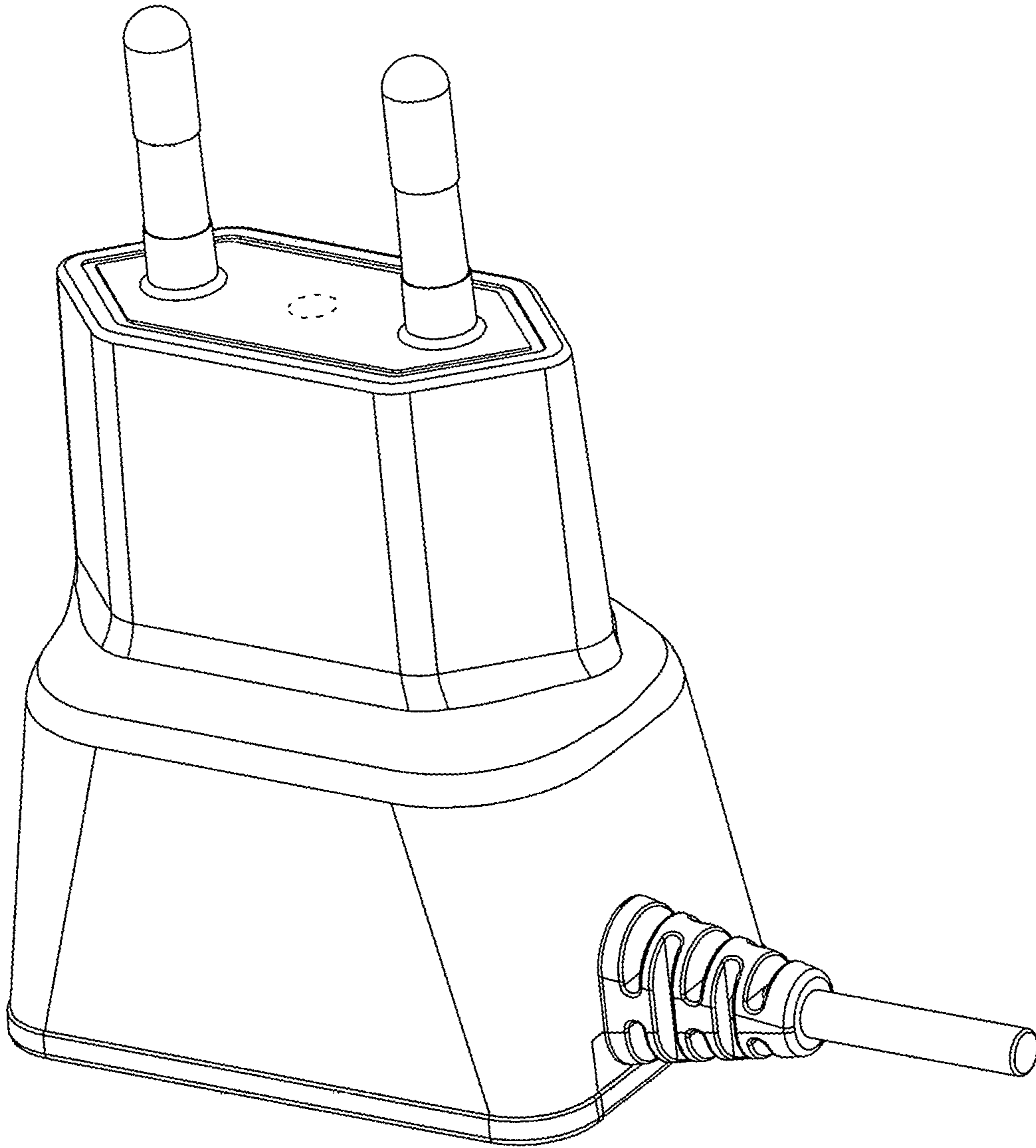


FIG. 7