

US00D931219S

(12) **United States Design Patent** (10) **Patent No.:** **US D931,219 S**
Bowman et al. (45) **Date of Patent:** **** *Sep. 21, 2021**

(54) **MEDICAL DEVICE CONNECTOR**

(71) Applicant: **Physio-Control, Inc.**, Redmond, WA (US)

(72) Inventors: **Ryan Bowman**, Redmond, WA (US);
Zack Pahlman, Redmond, WA (US);
Jeremy Wong, Redmond, WA (US)

(*) Notice: This patent is subject to a terminal disclaimer.

(**) Term: **15 Years**

(21) Appl. No.: **29/708,355**

(22) Filed: **Oct. 4, 2019**

(51) **LOC (13) Cl.** **13-03**

(52) **U.S. Cl.**
USPC **D13/133; D13/146**

(58) **Field of Classification Search**
USPC D13/107, 108, 123, 133, 146, 147, 154,
D13/184, 199; D24/107, 127, 129, 167,
D24/168, 187
CPC A61N 1/39; A61B 5/00; A61B 5/04; A61B
5/048; A61B 5/0416; A61B 6/03; H01R
9/00; H01R 9/03; H01R 13/00; H01R
13/46; H01R 13/627; H01R 13/64; H01R
13/73; H01R 24/00

See application file for complete search history.

(56) **References Cited**

U.S. PATENT DOCUMENTS

2,384,267	A *	9/1945	Andersen	H01R 24/84 439/293
D250,719	S *	1/1979	Jacobson	607/36
D263,794	S *	4/1982	Yoshizawa	D9/432
D290,458	S	6/1987	O'Leary		
D319,312	S	8/1991	Schneider		
D395,282	S *	6/1998	Rudoy	D13/133
D410,625	S *	6/1999	Kerek	D13/133

D434,377	S	11/2000	Bussett et al.		
D475,014	S	5/2003	Kano		
D523,815	S	6/2006	Lai		
D588,990	S	3/2009	Kok et al.		
D589,444	S	3/2009	Kok et al.		
D589,881	S	4/2009	Kok et al.		
D645,406	S *	9/2011	Chartrand	D13/154
D668,611	S	10/2012	Byrne et al.		
8,647,147	B2 *	2/2014	Chartrand	H01R 4/2406 439/425
D730,839	S	6/2015	Sasano		
D743,342	S	11/2015	Sasano		
D743,906	S	11/2015	Sasano		
D851,595	S	6/2019	Chen		

(Continued)

OTHER PUBLICATIONS

Aedsuperstore.com, "Physio-Control LIHEPAK 500 Data Transfer USB to QUIK-COMBO Cable", retrieved on Oct. 7, 2020 from <<<https://www.aedsuperstore.com/physio-control-lifepak-500-data-transfer-usb-to-quick-combo-cable.html>>>, Dec. 1, 2010, 3 pages.

(Continued)

Primary Examiner — Shawn T Gingrich
(74) *Attorney, Agent, or Firm* — Lee & Hayes, P.C.

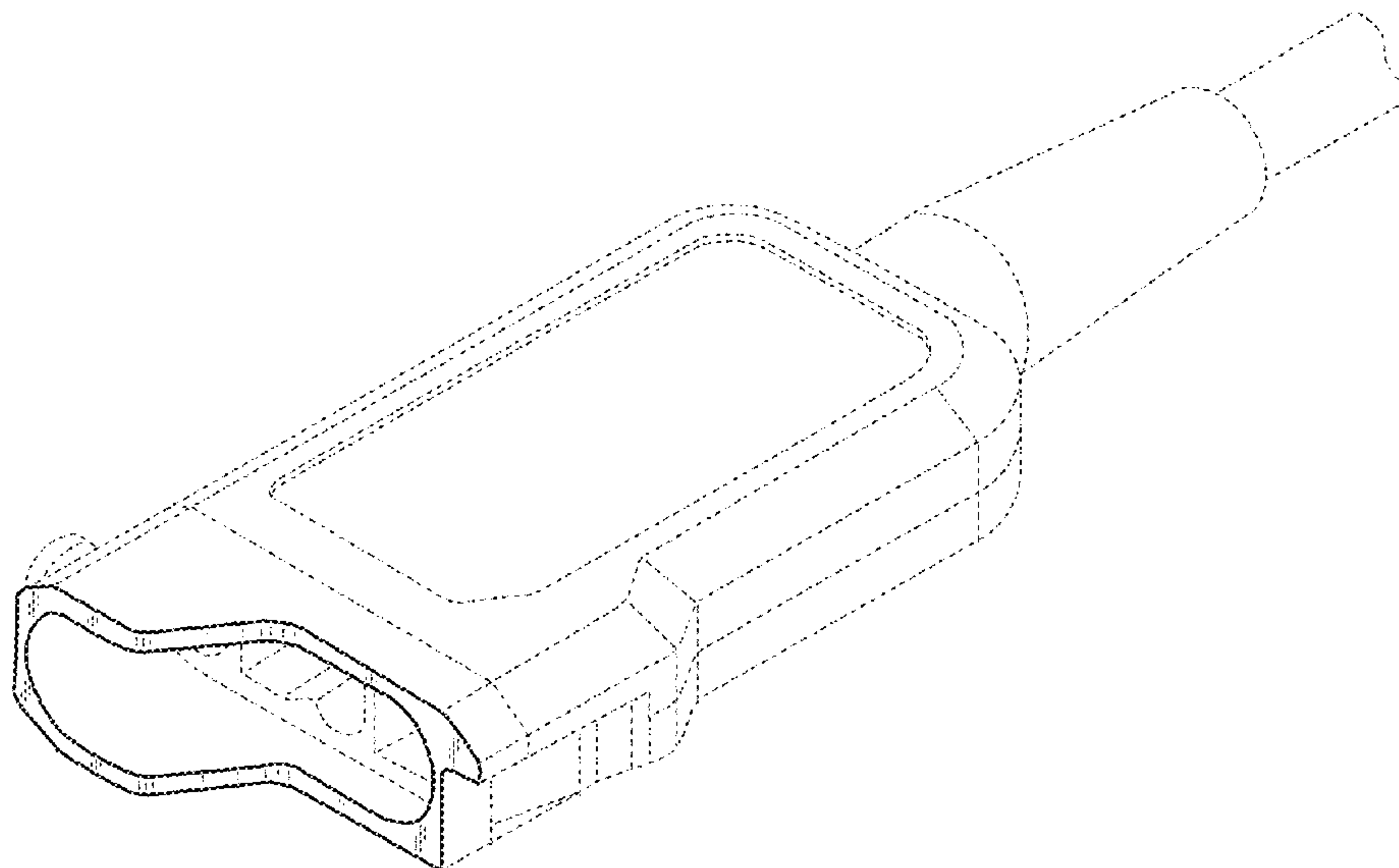
(57) **CLAIM**

The ornamental design for a medical device connector, as shown and described.

DESCRIPTION

FIG. 1 is a back perspective view of a medical device connector;
FIG. 2 is a front view thereof;
FIG. 3 is a back view thereof;
FIG. 4 is a top view thereof;
FIG. 5 is a left side view thereof; and,
FIG. 6 is a right side view thereof.
The dashed line in the drawings represent unclaimed subject matter and do not form part of the claimed design.

1 Claim, 3 Drawing Sheets



(56)

References Cited

U.S. PATENT DOCUMENTS

D864,870	S *	10/2019	Payne	D13/133
D887,987	S *	6/2020	Ganamukhi	D13/147
D896,175	S *	9/2020	Staff	D13/108
2005/0227529	A1	10/2005	Mrakovich et al.		
2011/0014821	A1	1/2011	Ko		
2012/0178270	A1*	7/2012	McElroy	H01R 13/6205 439/39
2014/0073180	A1	3/2014	Knight et al.		
2015/0017841	A1	1/2015	Chen et al.		
2016/0028169	A1	1/2016	Glick et al.		
2018/0159274	A1*	6/2018	Eriksson	H01R 24/76
2021/0011235	A1	1/2021	Wimmer		

OTHER PUBLICATIONS

Amazon.com, "Physio-Control 11113-000002 Quik-Combo Test Plug for Testing QC Cable", retrieved on Oct. 7, 2020 from <<<https://www.amazon.com/physio-control-11113-000002-quik-combo-testing-cable/dp/B085D4M7B3>>>, Nov. 27, 2009, 2 pages.

DHgate.com, "T4 T5 T8 Bracket Light Male and Female Plug Connector", retrieved on Oct. 7, 2020 from <<https://www.dhgate.com/product/t4-t5-t8-bracket-light-male-and-female-plug/410219373.html#redirect_detail=WAP2PC>>, Nov. 20, 2019.

Non Final Office Action dated Oct. 28, 2020 for U.S. Appl. No. 29/708,366, "Medical Device Connector", Bowman, 9 pages.

Non Final Office Action dated Oct. 28, 2020 for U.S. Appl. No. 29/708,367, "Medical Device Connector", Bowman, 7 pages.

Office Action for U.S. Appl. No. 29/708,317, dated Nov. 10, 2020, Bowman, "Medical Device Connector", 5 Pages.

Non Final Office Action dated Dec. 8, 2020 for U.S. Appl. No. 29/708,322, "Medical Device Connector", Bowman, 10 pages.

Office Action for U.S. Appl. No. 29/708,366, dated Apr. 29, 2021, Bowman, "Medical Device Connector", 13 Pages.

Power Cord Adapter YLA-03010 for Waterpik WP360 WP360W WP462 WP462W WP450 WP450W, retrieved on Apr. 22, 2021, at <<<https://www.amazon.sg/Adapter-YLA-03010-Waterpik-Charger-110V-240V/dp/B07VNVTXG>>>, 2019, 2 pgs.

Replacement Part for Waterpik Charger WP462 WP462W, retrieved on Apr. 22, 2021 at <<https://www.waterpik.com/oral-health/tips-accessories/TRANS_WP-450/>>, 2014, 2 pgs.

Waterpik, 2 Prong Charger for Cordless Water Flossers, retrieved on Apr. 22, 2021, at <<https://www.waterpik.com/oral-health/tips-accessories/TRANS_WP-450/>>, 2014, 2 pgs.

* cited by examiner

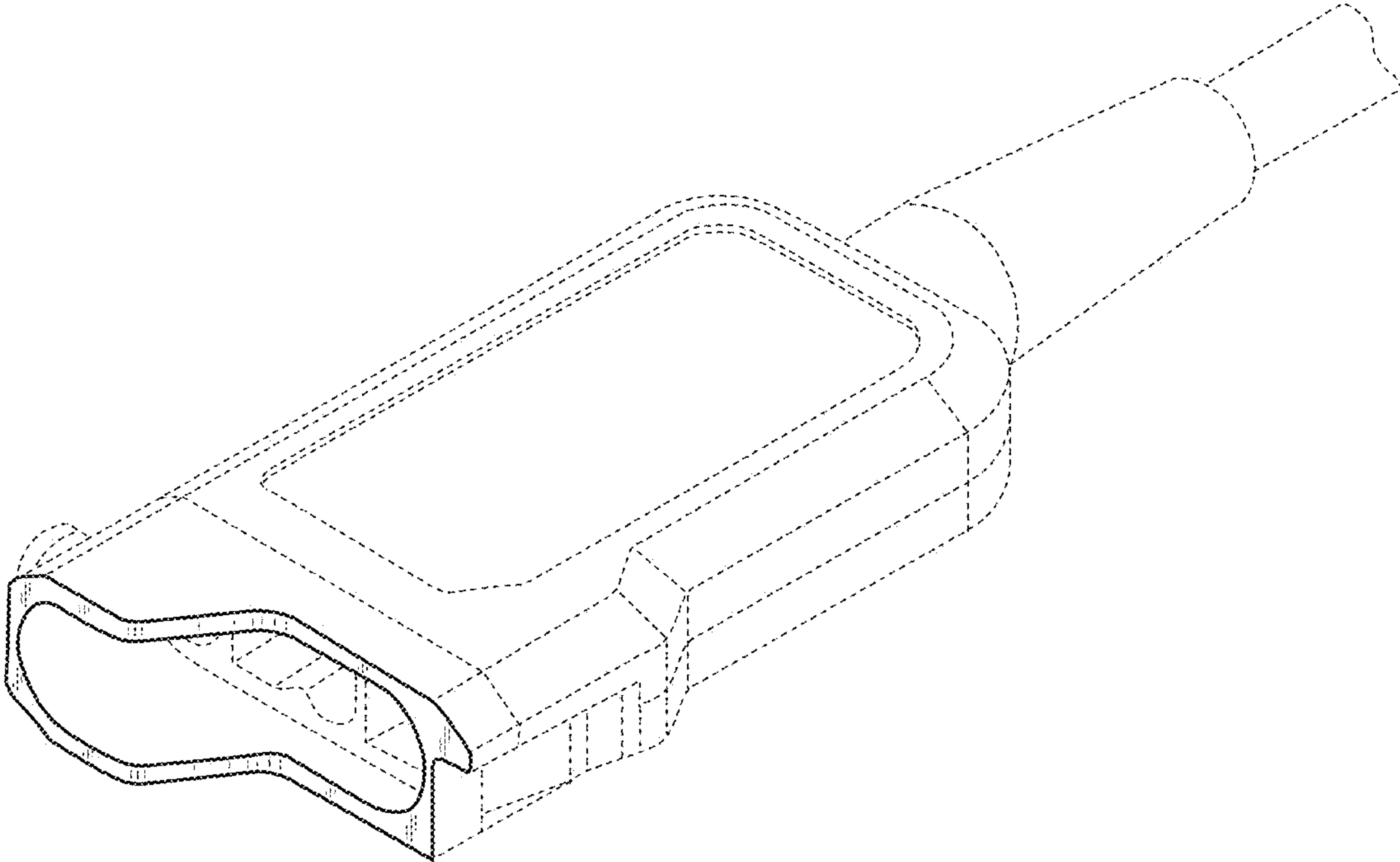


FIG. 1

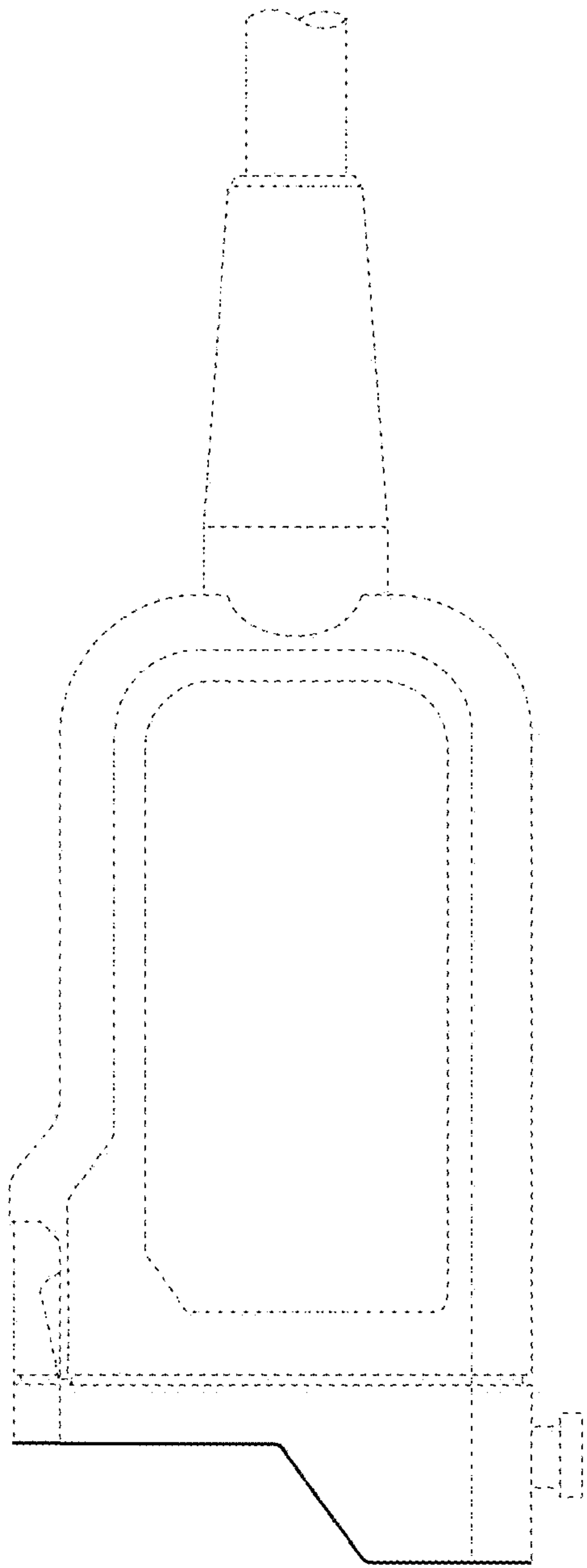


FIG. 2

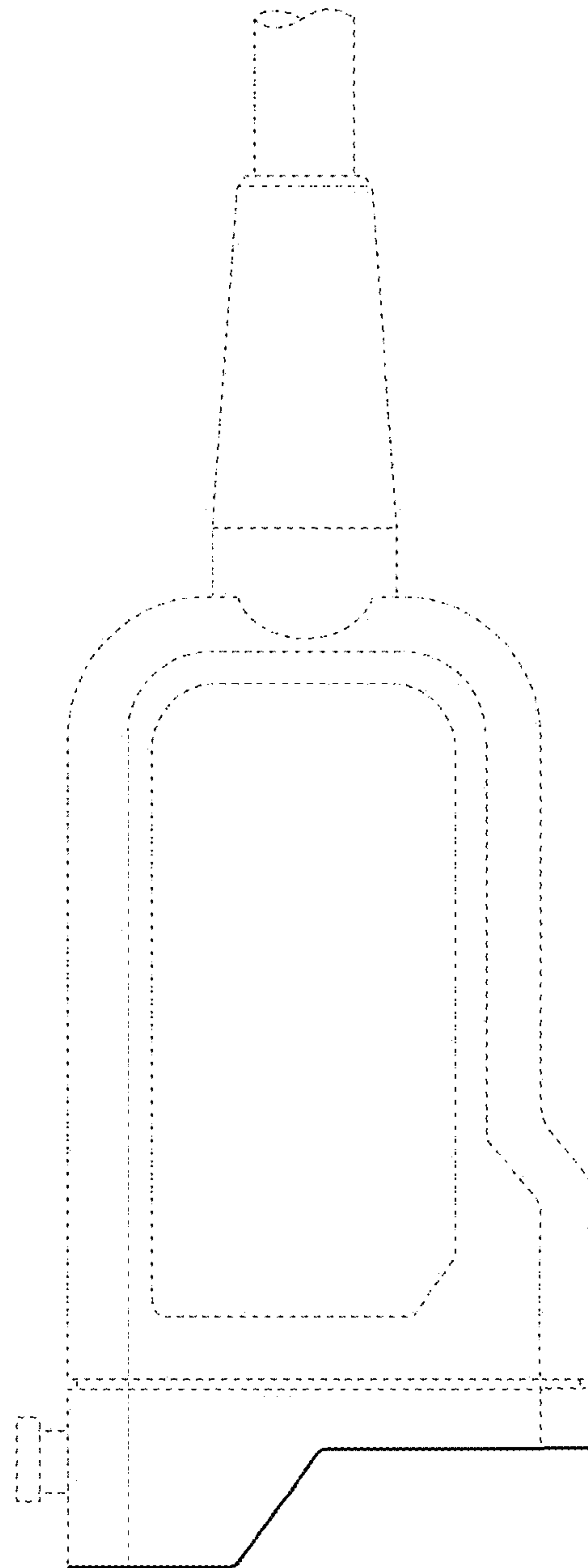


FIG. 3

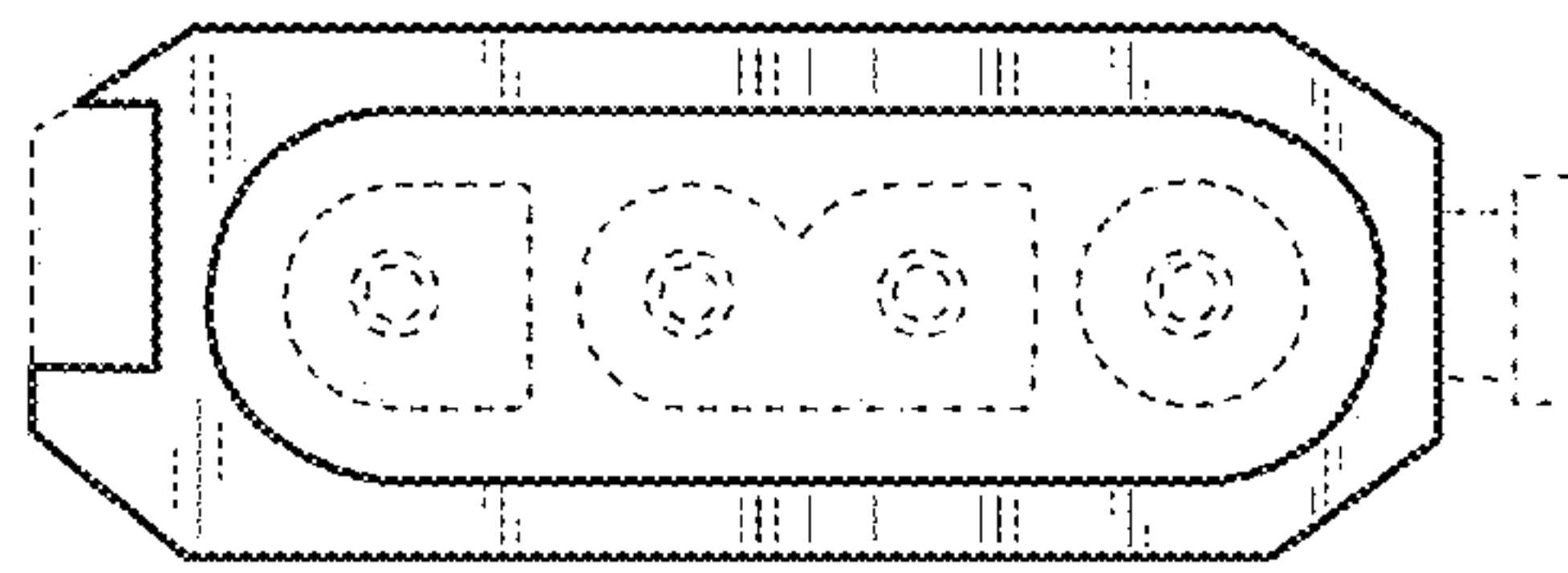


FIG. 4

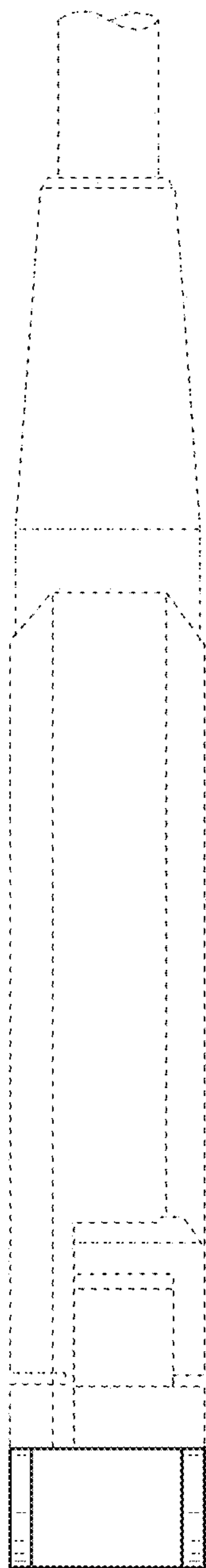


FIG. 5

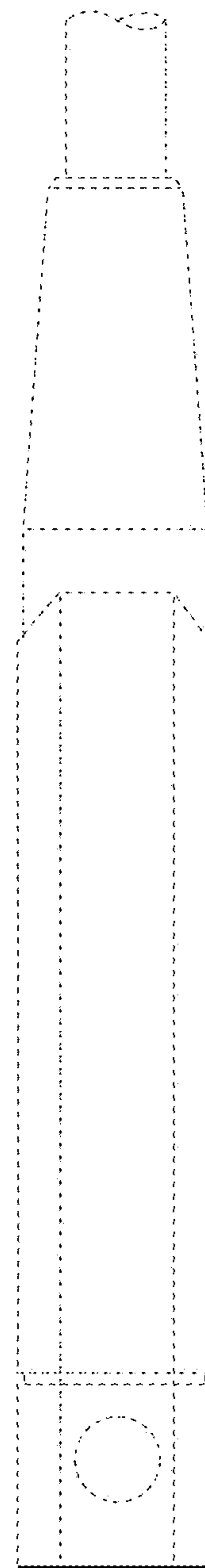


FIG. 6