



US00D931214S

(12) **United States Design Patent**  
**Murillo, Jr.**

(10) **Patent No.:** **US D931,214 S**  
(45) **Date of Patent:** **\*\* Sep. 21, 2021**

(54) **VEHICLE BATTERY HOLDER**  
(71) Applicant: **Victor Murillo, Jr.**, Jurupa Valley, CA (US)  
(72) Inventor: **Victor Murillo, Jr.**, Jurupa Valley, CA (US)  
(\*\*) Term: **15 Years**

4,607,904 A \* 8/1986 D'Alessandro ..... H01R 31/02 439/476.1  
4,754,827 A 7/1988 Hirabayashi  
D321,856 S 11/1991 Whitley, II et al.  
5,547,160 A \* 8/1996 Johnson ..... B60R 16/04 248/503  
7,014,002 B2 3/2006 Mizuta  
D561,097 S 2/2008 Koeske  
D588,060 S \* 3/2009 Okuda ..... D13/119  
D611,413 S 3/2010 Brockington  
8,632,902 B2 \* 1/2014 Wendorf ..... H01M 50/20 429/97

(21) Appl. No.: **29/722,111**

(22) Filed: **Jan. 27, 2020**

(51) **LOC (13) Cl.** ..... **13-02**

(52) **U.S. Cl.**  
USPC ..... **D13/119**

(58) **Field of Classification Search**  
USPC ..... D13/103, 104, 107, 108, 110, 119, 120, D13/149, 184, 199; D10/77  
CPC .... H01M 220/20; H01M 50/20; H01M 10/48; B60R 16/04  
See application file for complete search history.

\* cited by examiner

*Primary Examiner* — Jennifer O King

(74) *Attorney, Agent, or Firm* — Kirk A. Buhler; Buhler & Associates Patenting

(57) **CLAIM**

The ornamental design for a vehicle battery holder, as shown and described.

**DESCRIPTION**

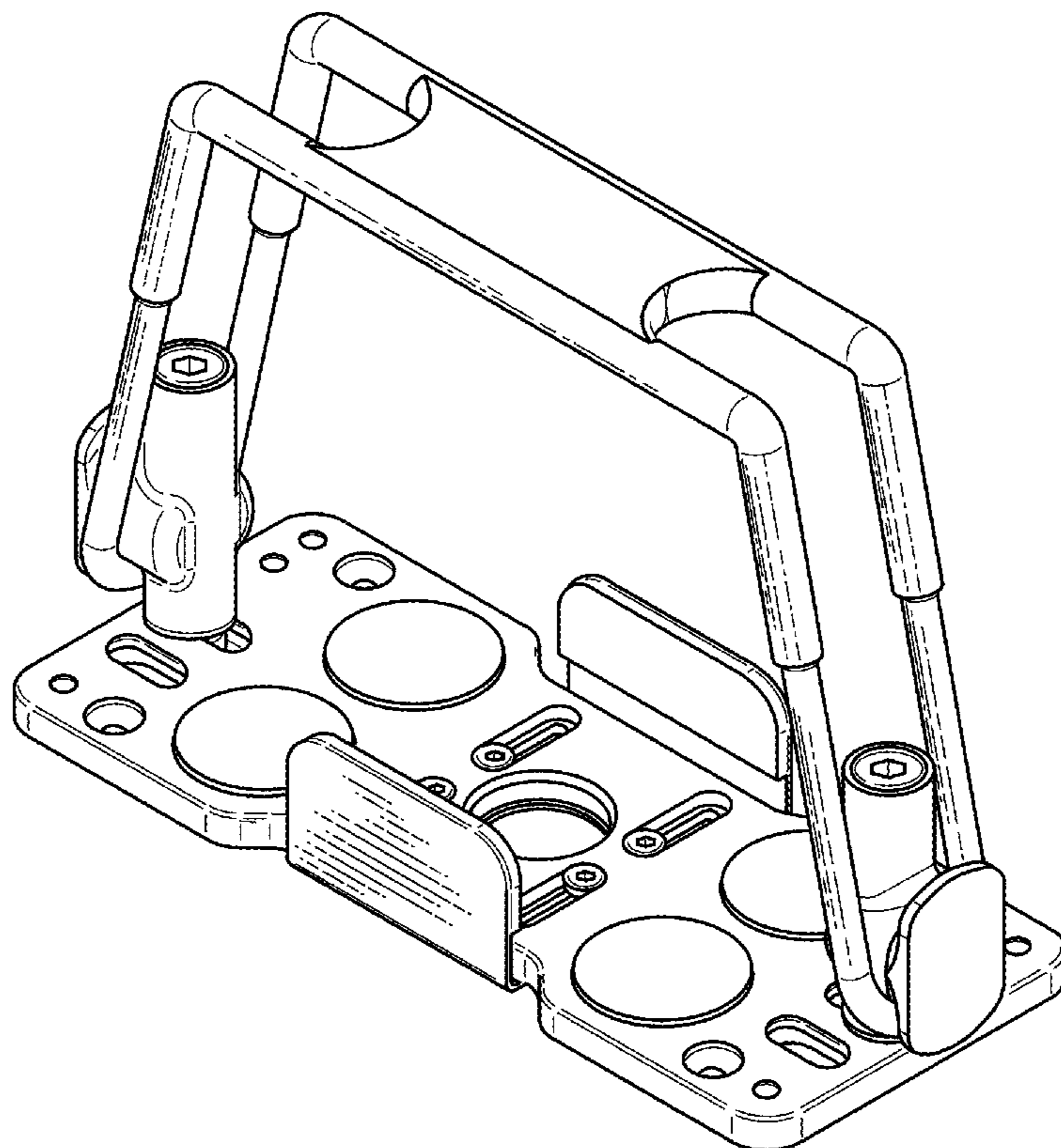
FIG. 1 is a top perspective view of a vehicle battery holder, showing my new design;  
FIG. 2 is a top plan view thereof;  
FIG. 3 is a bottom view thereof;  
FIG. 4 is a left side elevation view, the right side elevation view being a mirror image thereof; and,  
FIG. 5 is a front elevation view, the rear elevation view being a mirror image thereof.

(56) **References Cited**

**U.S. PATENT DOCUMENTS**

D106,423 S \* 10/1937 Brodeen ..... D13/119  
3,557,895 A \* 1/1971 Thomas ..... H01M 50/20 180/68.5  
D222,804 S \* 1/1972 Delzer ..... D13/119  
3,826,115 A \* 7/1974 Davis ..... B60R 16/04 70/258  
4,327,809 A 5/1982 Fenstermaker

**1 Claim, 5 Drawing Sheets**



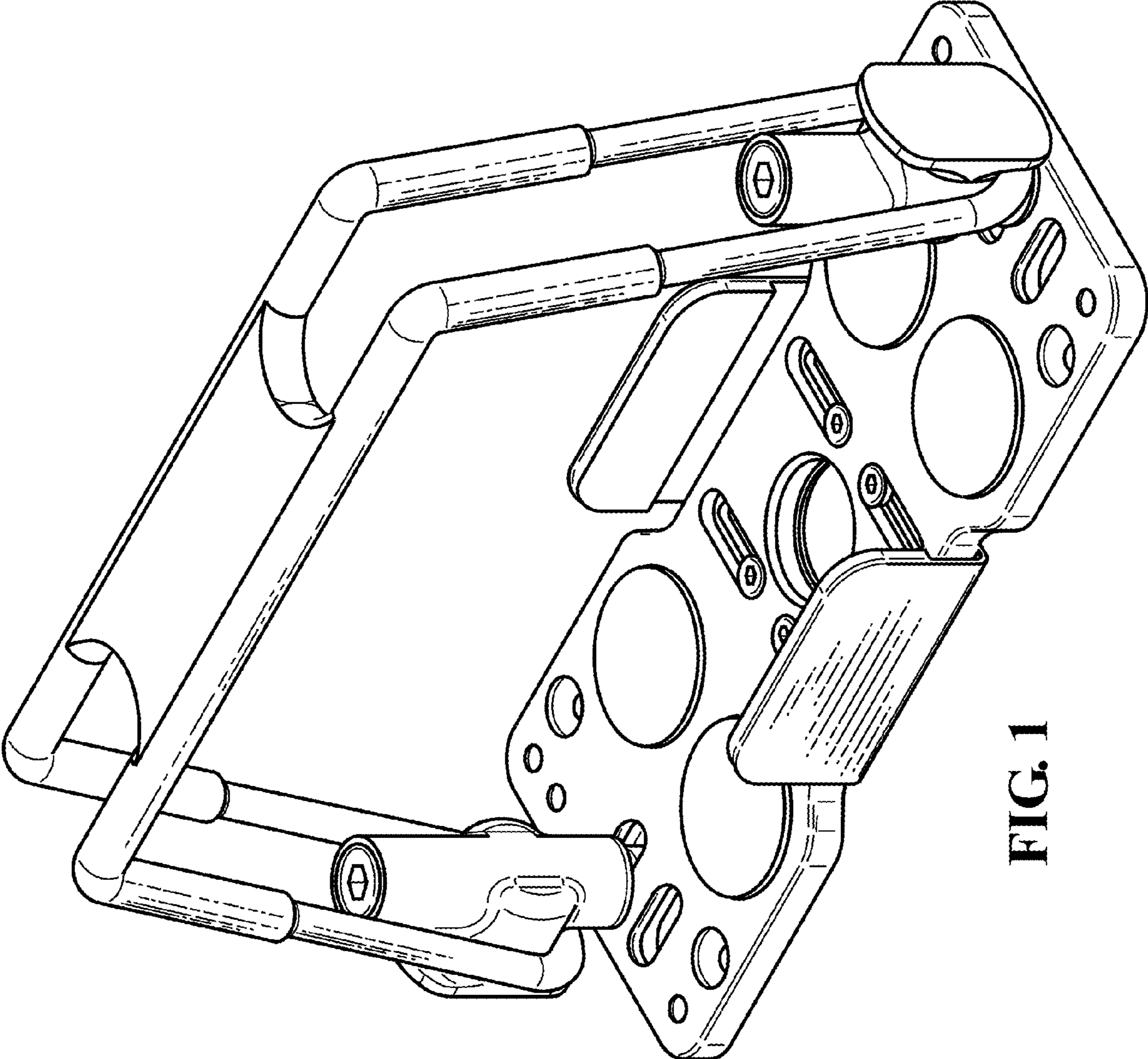


FIG. 1

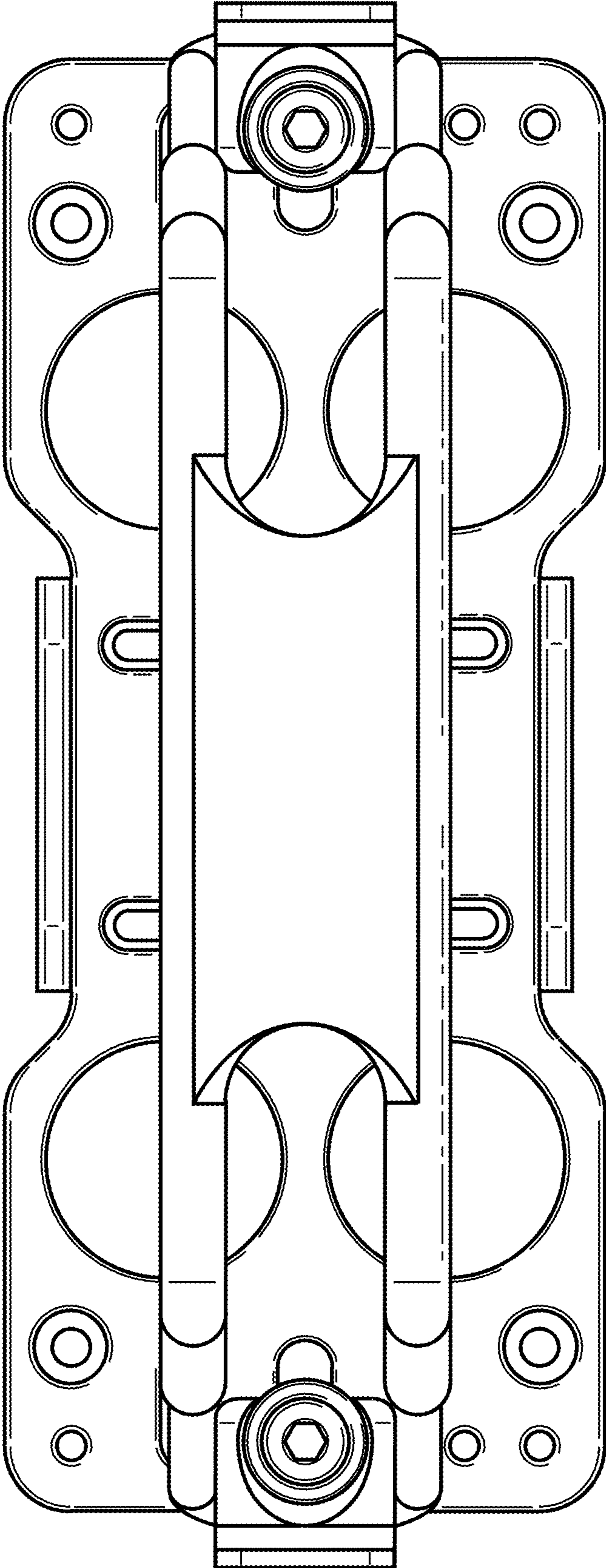


FIG. 2

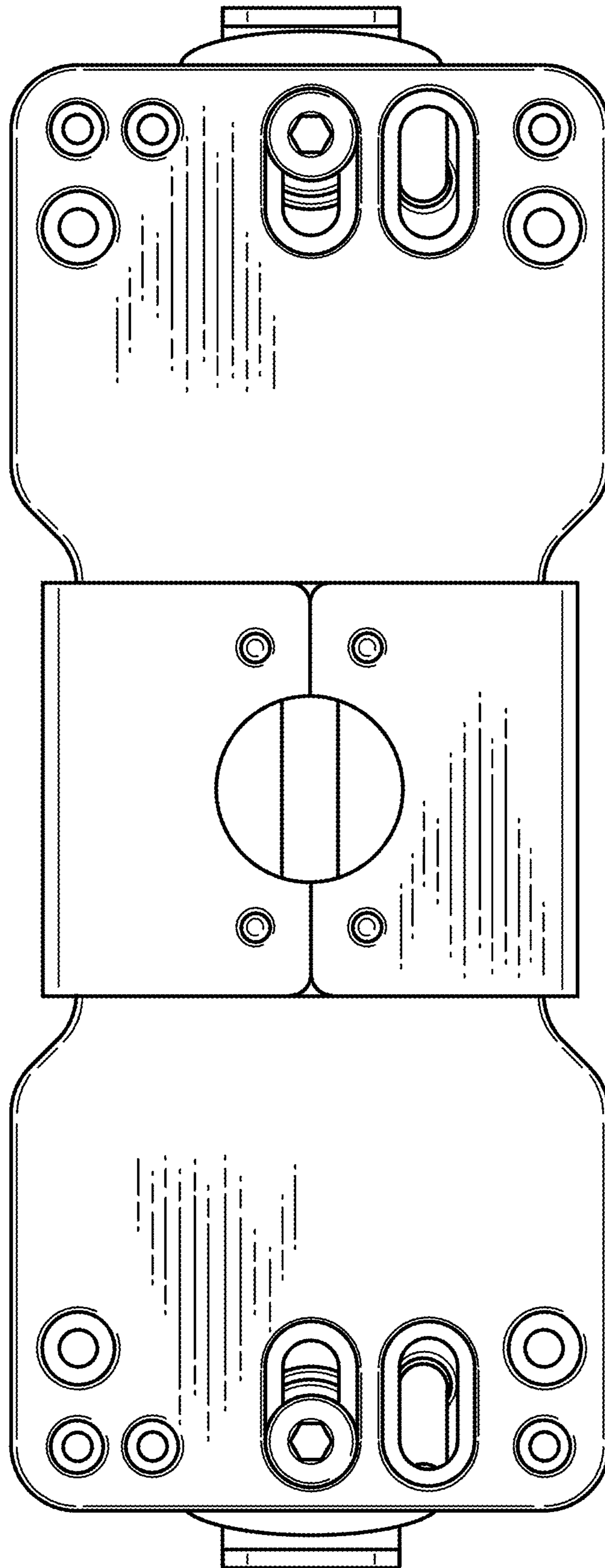


FIG. 3

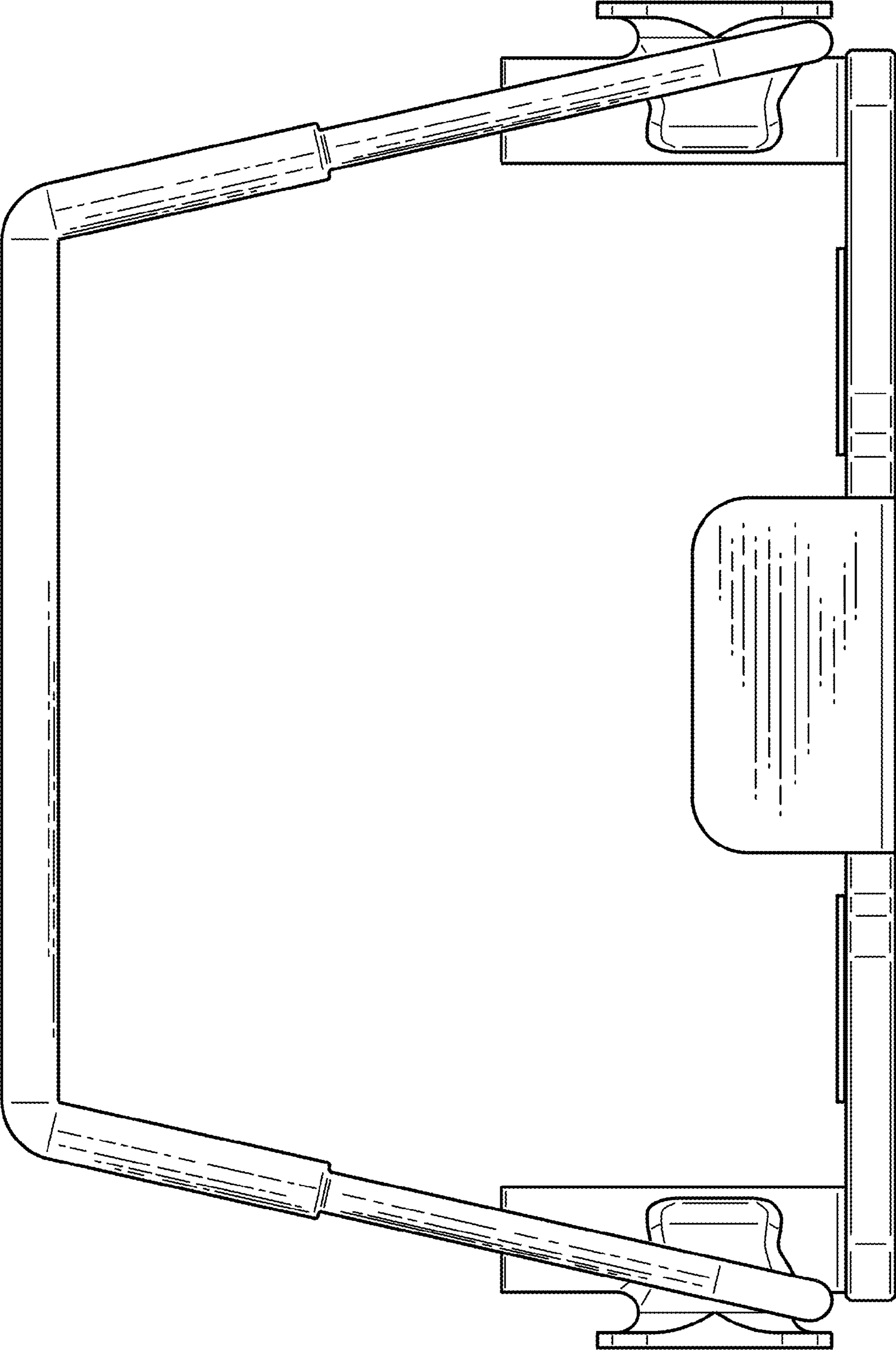


FIG. 4

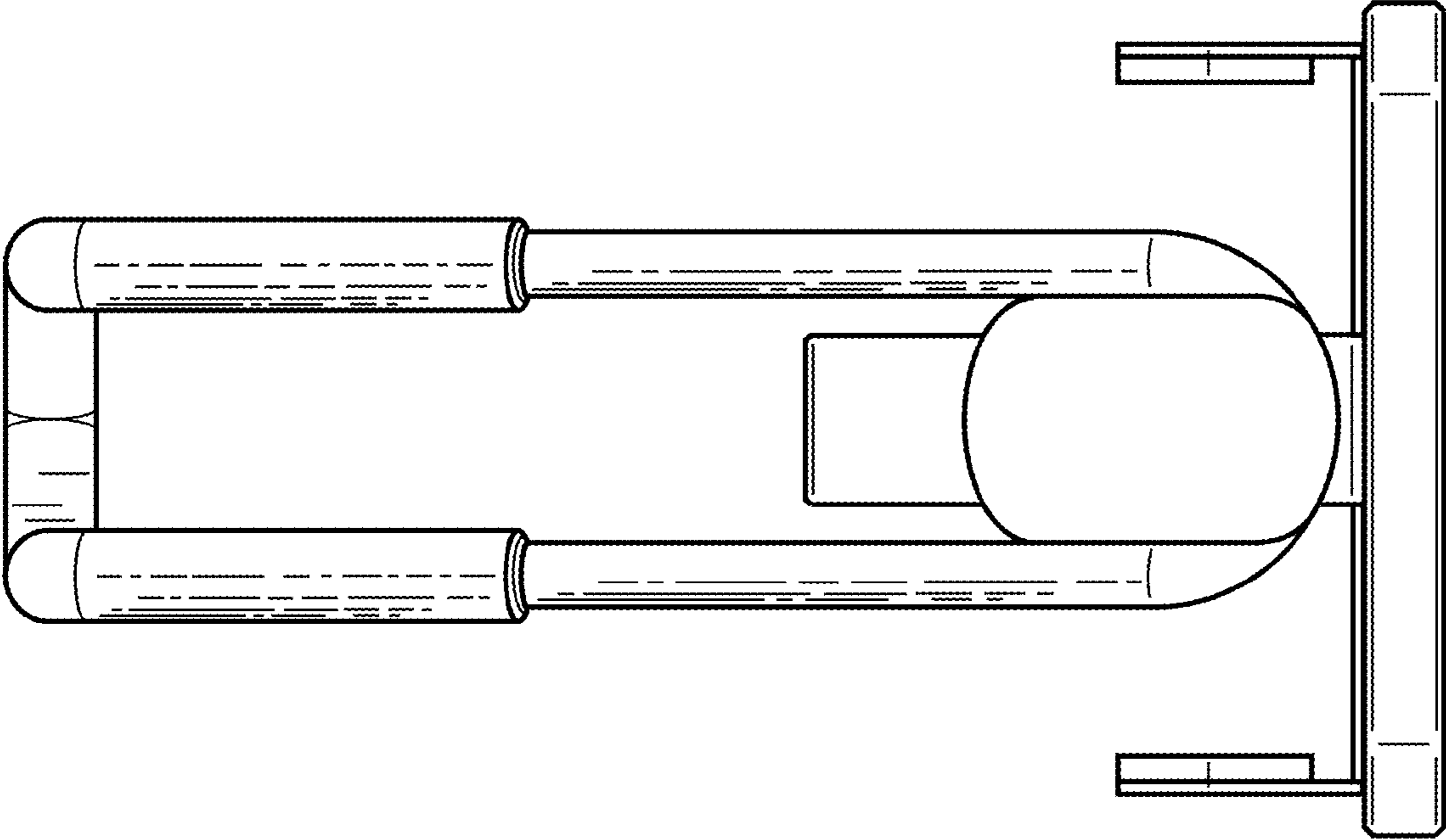


FIG. 5