



US00D931213S

(12) **United States Design Patent** (10) **Patent No.:** **US D931,213 S**
Heroux (45) **Date of Patent:** **** Sep. 21, 2021**

(54) **BATTERY CASE**
(71) Applicant: **Hip Innovations, LLC**, Calabasas, CA (US)
(72) Inventor: **Steve Heroux**, Hidden Hills, CA (US)
(73) Assignee: **HIP INNOVATIONS, LLC**, Calabasas, CA (US)

(**) Term: **15 Years**

(21) Appl. No.: **29/676,889**

(22) Filed: **Jan. 15, 2019**

(51) **LOC (13) Cl.** **13-02**

(52) **U.S. Cl.**
USPC **D13/119**

(58) **Field of Classification Search**
USPC D13/102, 103, 107, 108, 110, 112, 113, D13/118, 119, 184, 199; D3/221, 226, D3/282, 285, 303
CPC Y02T 10/7005; Y02T 10/705; Y02T 10/7088; H02J 7/025; H02J 7/0042; H02J 7/0044; H02J 7/0045; H02J 7/0003; H01F 38/14; H01M 2/02; H01M 2/022; H01M 2/0202; H01M 2/0207; H01M 2/0212; H01M 2/1061; H01M 2/1022; H01M 2/1055; H01M 2/1066; H01M 2/105; H01M 2/204; H01M 2/10; Y02E 60/12; Y02E 60/122; Y02E 60/124; Y02E 60/50
See application file for complete search history.

(56) **References Cited**

U.S. PATENT DOCUMENTS

4,106,597 A 8/1978 Shook et al.
D249,589 S 9/1978 Adams
D249,590 S 9/1978 Berkman
D249,743 S 9/1978 Berkman
4,129,346 A 12/1978 Hofman
D251,214 S 2/1979 Coleman et al.

D252,115 S 6/1979 Herring
D253,438 S 11/1979 Markley
4,344,646 A 8/1982 Michel
D275,833 S 10/1984 Malpass
D278,096 S 3/1985 Walker et al.
4,671,405 A 6/1987 Hagan
D301,575 S * 6/1989 Crawford, Jr. D13/119
D332,442 S * 1/1993 Simpson, Sr. D13/119
D343,289 S 1/1994 Duley
D351,503 S 10/1994 Bach

(Continued)

OTHER PUBLICATIONS

Amazon.com: Bee Neat Battery Organizer . . . Date first available of Feb. 27, 2018. Retrieved from the internet at <<https://www.amazon.com/dp/B07B45741Z/>>, Jan. 30, 2021. 1 page. (Year: 2018).*

(Continued)

Primary Examiner — Christy Nemeth
(74) *Attorney, Agent, or Firm* — Cislo & Thomas, LLP

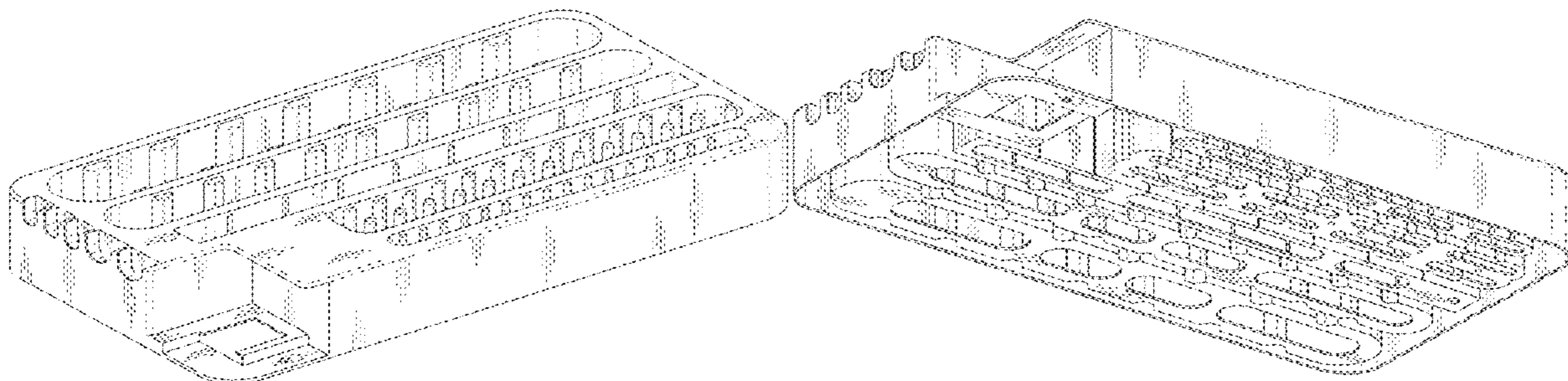
(57) **CLAIM**

The ornamental design for a battery case, as shown and described.

DESCRIPTION

FIG. 1 is a top perspective view of my battery case; FIG. 2 is a front view thereof; FIG. 3 is a rear view thereof; FIG. 4 is a left side view thereof; FIG. 5 is a right side view thereof; FIG. 6 is a top view thereof; and FIG. 7 is a bottom view thereof; FIG. 8 is a bottom perspective view thereof; and, FIG. 9 is a cross-sectional view taken along line 9-9 of FIG. 6.
The broken lines in the drawings are for the purpose of illustrating portions of the battery case that form no part of the claimed design.

1 Claim, 6 Drawing Sheets



(56)

References Cited

U.S. PATENT DOCUMENTS

D351,504 S 10/1994 Tarozzi
 D358,709 S 5/1995 Chang
 5,470,255 A 11/1995 McCleerey et al.
 D367,557 S 3/1996 Chang
 D368,159 S 3/1996 Calmeise et al.
 D376,690 S 12/1996 Lockerby
 D380,611 S * 7/1997 Mancusi D13/119
 5,670,268 A 9/1997 Mancusi
 D412,397 S 8/1999 Liu
 D418,678 S 1/2000 Robson
 D426,705 S 6/2000 Fang
 D428,699 S 8/2000 Gibson et al.
 6,152,303 A 11/2000 Ducote et al.
 D439,879 S 4/2001 Rotundo
 D440,043 S 4/2001 Miller et al.
 D440,401 S 4/2001 Pauser et al.
 D445,758 S 7/2001 Killebrew et al.
 D462,520 S 9/2002 Snider
 D463,911 S 10/2002 Chen
 D468,688 S * 1/2003 Helman D13/119
 D476,950 S 7/2003 Peress et al.
 D478,209 S 8/2003 Chen
 D479,630 S 9/2003 Lai
 D481,026 S 10/2003 Chunn et al.
 D482,869 S 12/2003 Chen
 D485,435 S 1/2004 Coppedge et al.
 D485,682 S 1/2004 Wolf
 D489,684 S 5/2004 Takeshima et al.
 D490,056 S 5/2004 Johnson et al.
 D490,375 S * 5/2004 Pomerance D13/119
 D490,977 S 6/2004 Freeman
 D505,549 S 5/2005 Hosking
 D506,833 S 6/2005 Wescott, III
 D516,811 S 3/2006 Kahle et al.
 D529,716 S 10/2006 Wang
 D543,358 S 5/2007 Vasudeva et al.
 D561,993 S 2/2008 Bum
 D563,669 S 3/2008 Bosak et al.
 D566,392 S 4/2008 Aglassinger
 D568,046 S 5/2008 Hsu

D578,962 S * 10/2008 Foreman D13/119
 D603,189 S * 11/2009 Raile D6/682.2
 D632,651 S * 2/2011 Foreman D13/119
 D666,419 S * 9/2012 Riedesel D3/313
 D677,625 S * 3/2013 Rowe D13/119
 D721,891 S 2/2015 Ben-Gigi
 D723,802 S 3/2015 Jones
 D726,647 S 4/2015 Laurino et al.
 9,166,425 B1 * 10/2015 White H02J 7/0042
 D804,175 S 12/2017 Nam et al.
 D825,465 S 8/2018 Deng
 D882,511 S * 4/2020 Heroux D13/103
 D886,202 S * 6/2020 Hsu D21/342
 D886,738 S * 6/2020 Huang D13/119
 D890,694 S * 7/2020 Heroux D13/103

OTHER PUBLICATIONS

Amazon.com: 2-in-1 Battery Tester and Organizer . . . Date first available of Oct. 26, 2018. Retrieved from the internet at <<https://www.amazon.com/2-1-Battery-Tester-Organizer/dp/B085P1HPJZ/>>, Jan. 30, 2021. 1 page. (Year: 2018).*

Amazon.com: Stalwart Battery Organizer . . . Date first available of Jul. 8, 2016. Retrieved from the internet at <<https://www.amazon.com/Stalwart-Battery-Organizer-Removeable-Tester/dp/B011540NFA/>>, Jan. 30, 2021. 1 page. (Year: 2016).*

Amazon.com: D-FantiX Battery Organizer . . . Date first available of Jun. 27, 2018. Retrieved from the internet at <<https://www.amazon.com/D-FantiX-Battery-Organizer-Universal-Batteries/dp/B07DXF4K2Z/>>, Jan. 30, 2021. 1 page. (Year: 2018).*

Amazon.com: The Battery Organizer . . . Date first available of Dec. 19, 2018. Retrieved from the internet at <<https://www.amazon.com/Battery-Organizer-TBO1531-Removable-Batteries/dp/B07LH5YD13/>>, Jan. 30, 2021. 1 page. (Year: 2018).*

Massca Battery Storage Box. Amazon.com [online][published Apr. 17, 2018][Accessed Mar. 26, 2019]. <[url:https://www.amazon.com/Massca-Battery-Storage-Organizer-compartments/product-reviews/B07BTP8W7/ref=cm_cr_arp_d_paging_btm_next_13?UTF8&reviewerType=all_reviews&pageNumber=13&sortBy=recent](https://www.amazon.com/Massca-Battery-Storage-Organizer-compartments/product-reviews/B07BTP8W7/ref=cm_cr_arp_d_paging_btm_next_13?UTF8&reviewerType=all_reviews&pageNumber=13&sortBy=recent)> (Year: 2018).

* cited by examiner

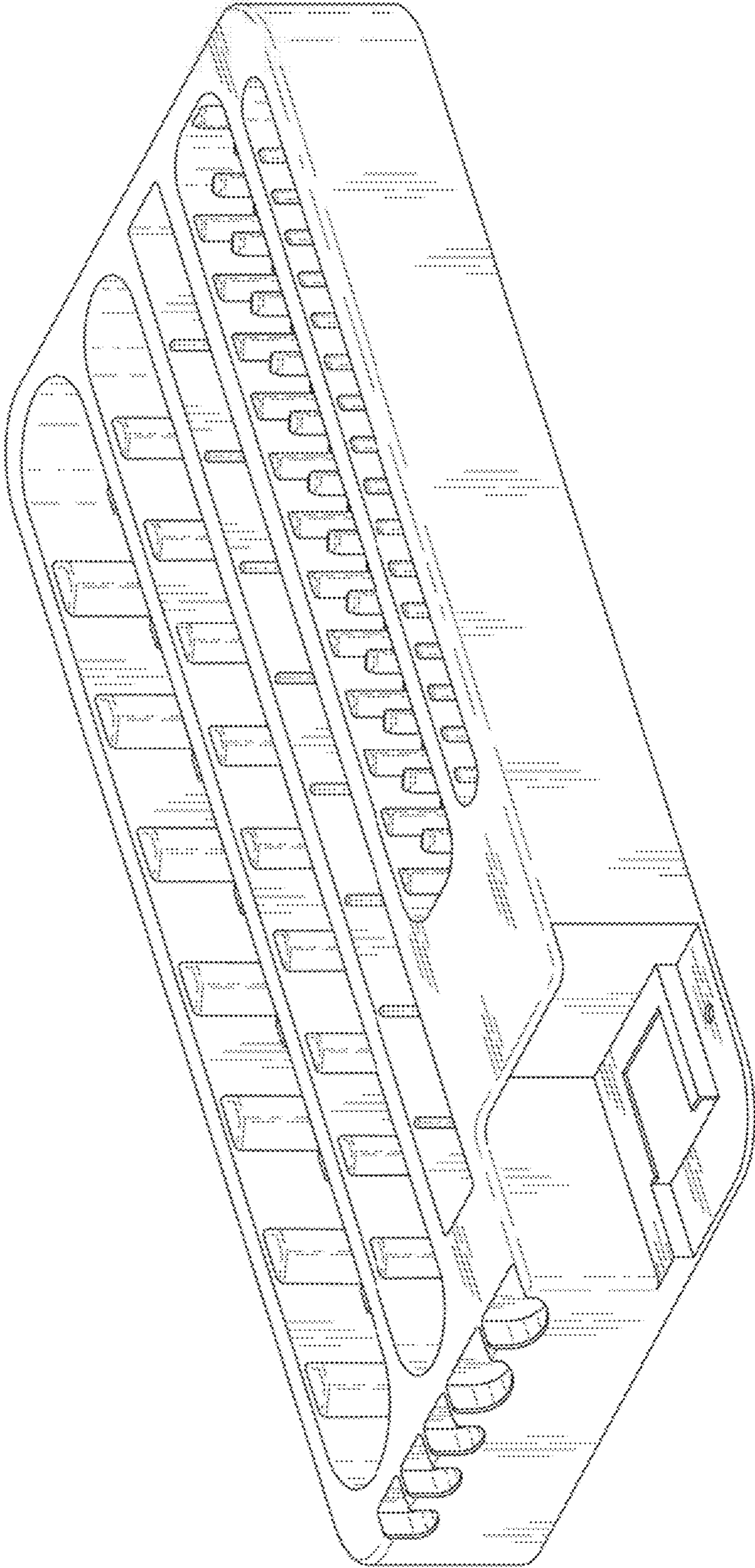


Fig. 1

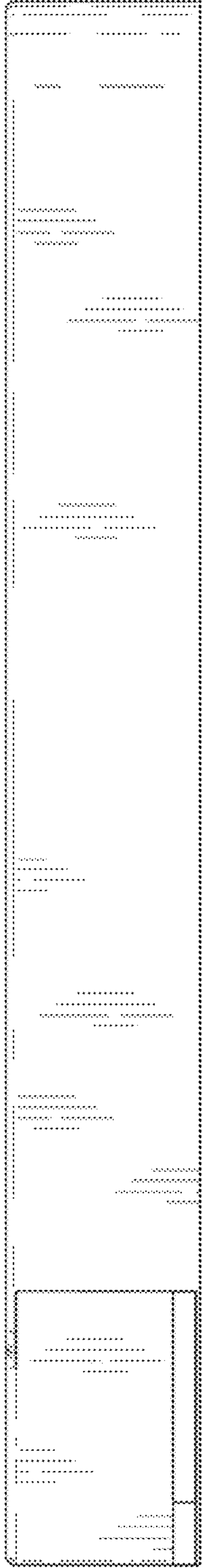


Fig. 2

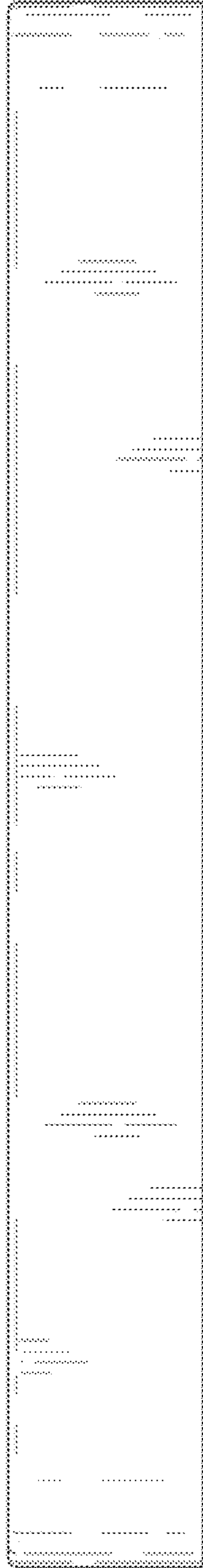


Fig. 3

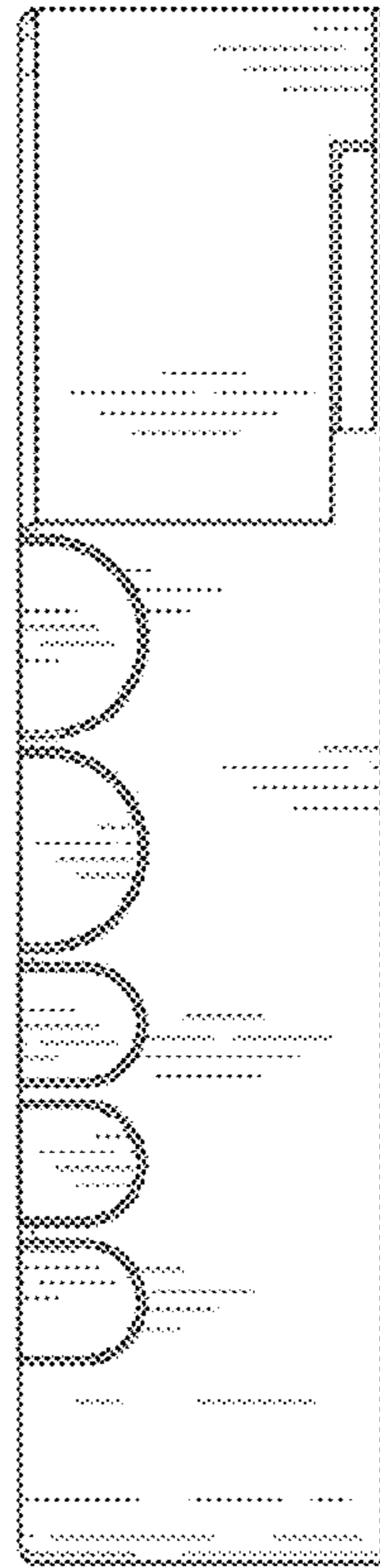


Fig. 4

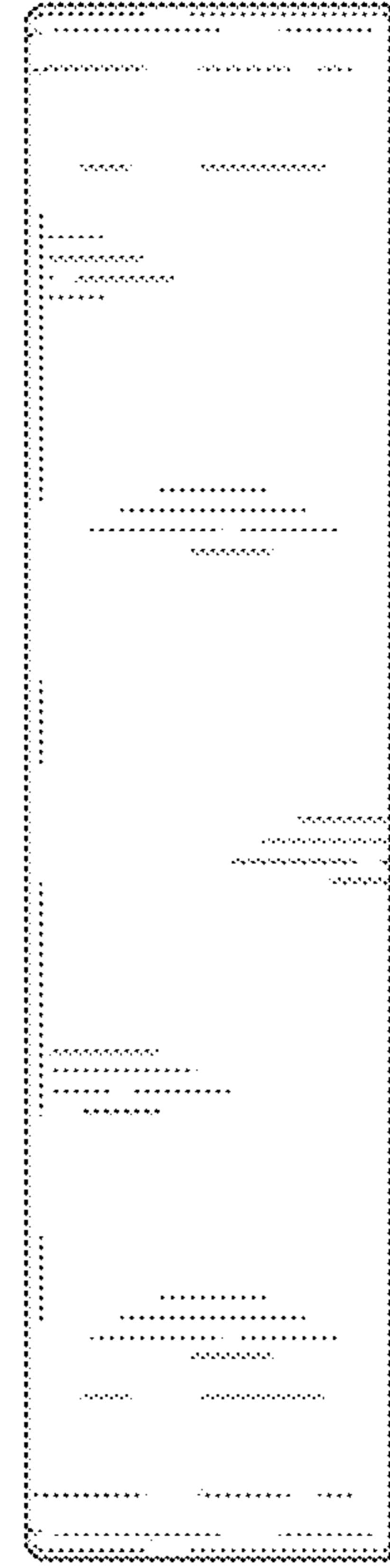


Fig. 5

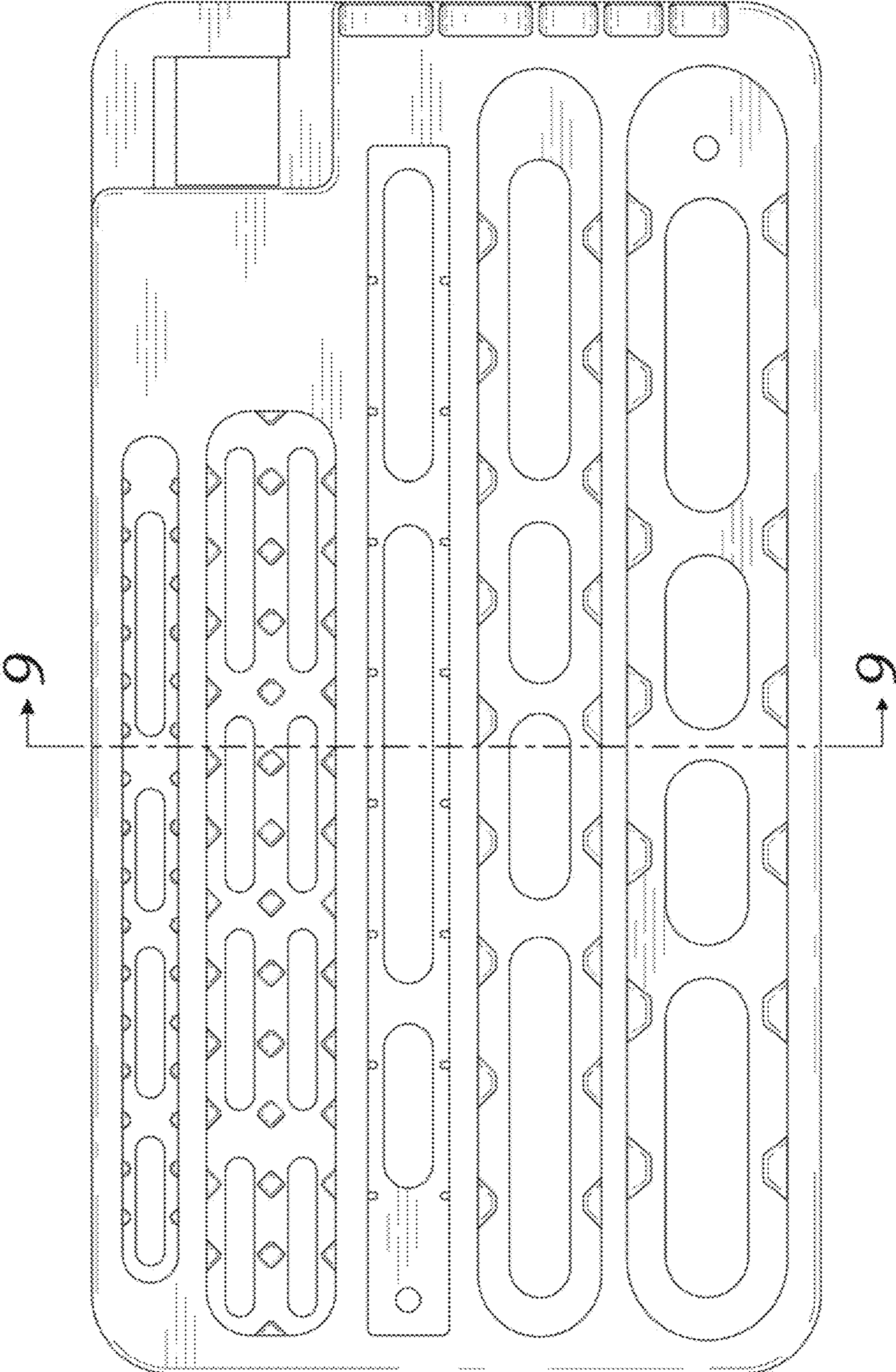


Fig. 6

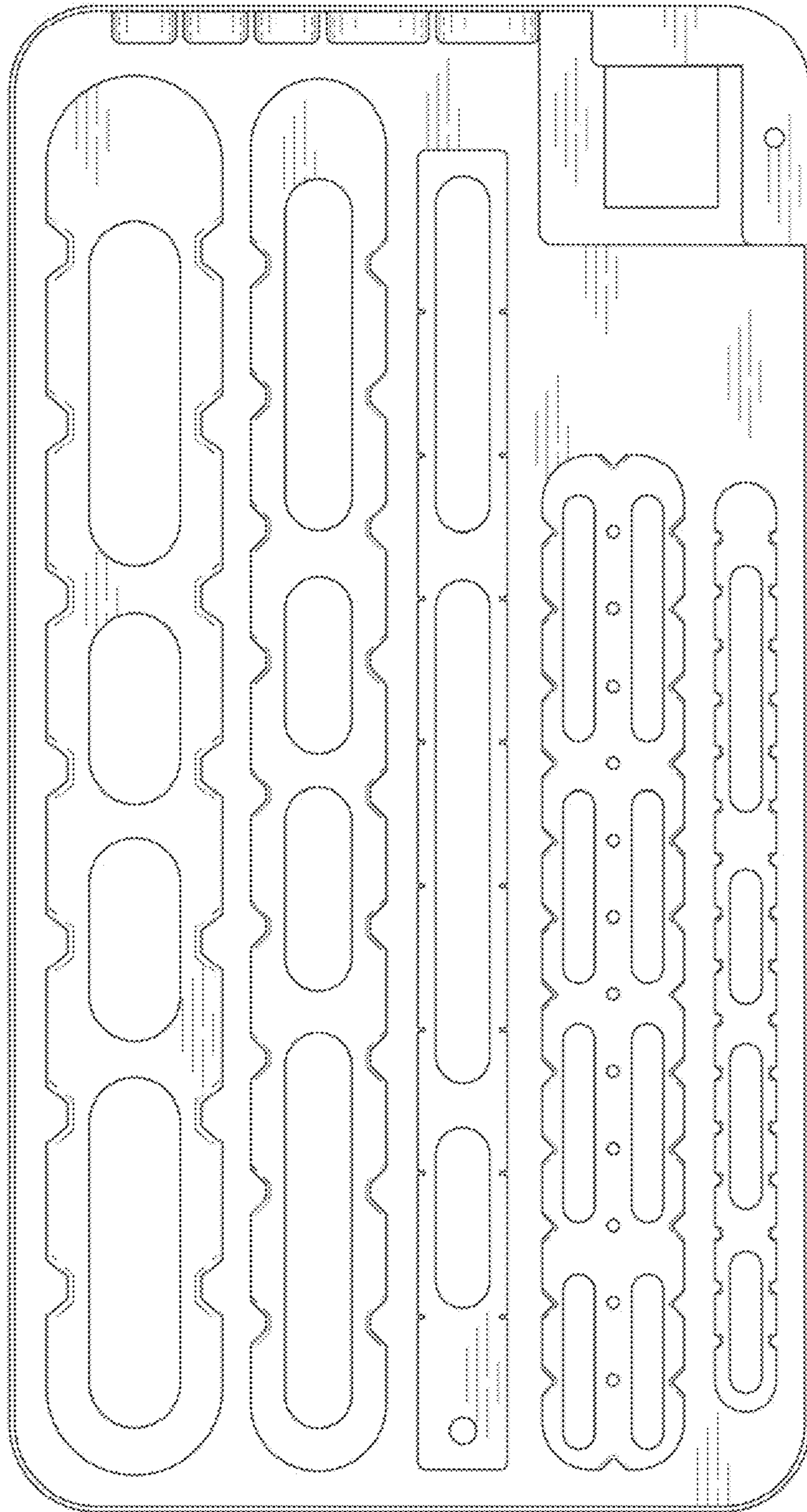


Fig. 7

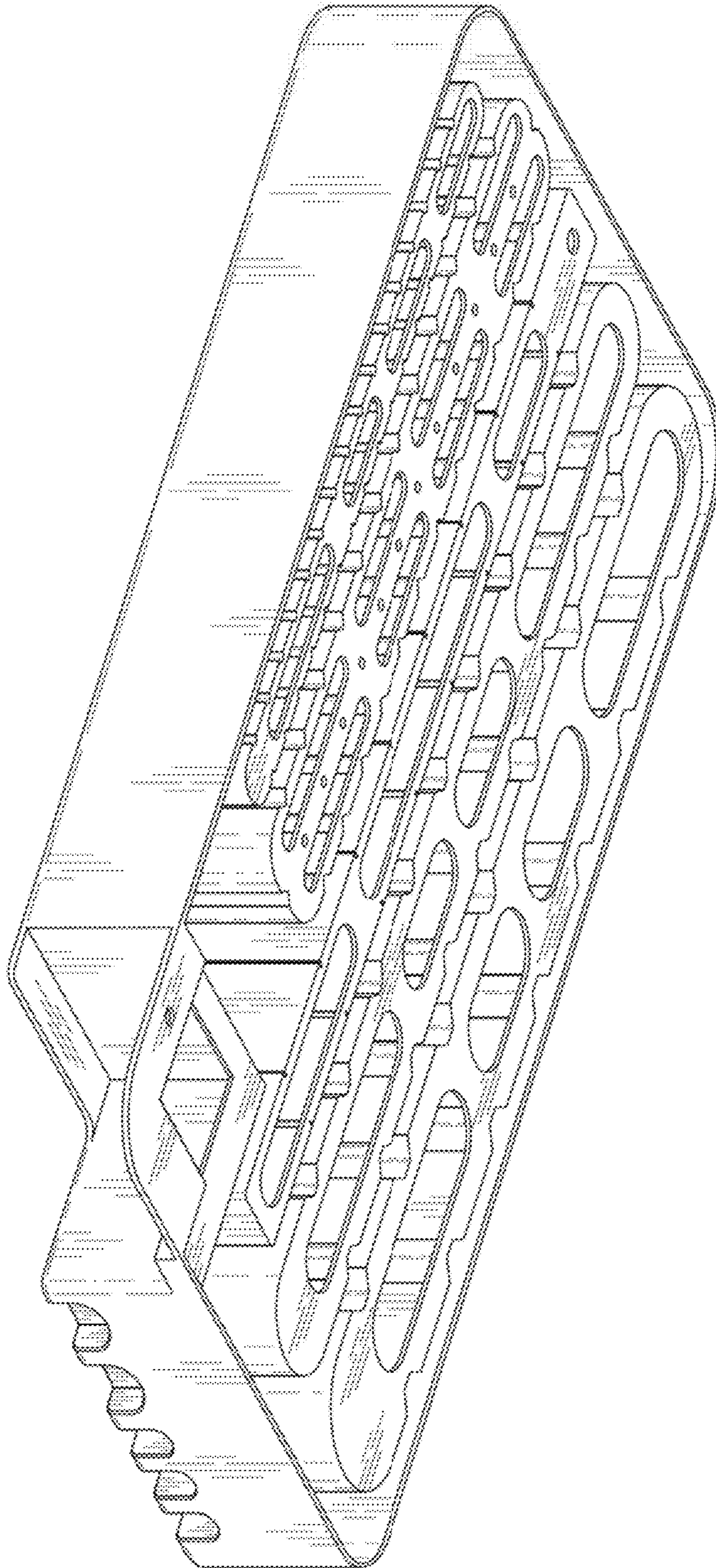


Fig. 8

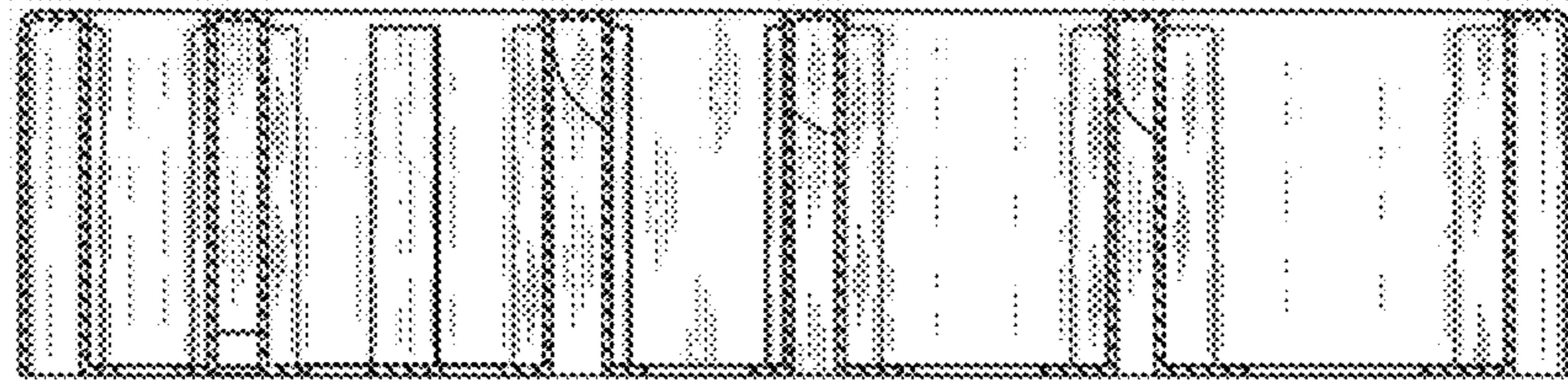


Fig. 9