



US00D931212S

(12) **United States Design Patent** (10) **Patent No.:** **US D931,212 S**
Briggs et al. (45) **Date of Patent:** **** Sep. 21, 2021**

- (54) **EARPIECE CHARGING CASE**
- (71) Applicant: **New Audio LLC**, New York, NY (US)
- (72) Inventors: **Drew Stone Briggs**, Brooklyn, NY (US); **Nicholas Slaney**, Jersey City, NJ (US); **Thomas C. Wilson**, Brooklyn, NY (US); **Marten Wallby**, Malmo (SE)
- (73) Assignee: **New Audio, LLC**, New York, NY (US)
- (**) Term: **15 Years**
- (21) Appl. No.: **29/763,105**
- (22) Filed: **Dec. 21, 2020**

Related U.S. Application Data

- (62) Division of application No. 29/647,389, filed on May 11, 2018, now Pat. No. Des. 908,617.
- (51) **LOC (13) Cl.** **13-02**
- (52) **U.S. Cl.**
USPC **D13/108; D3/294**
- (58) **Field of Classification Search**
USPC D13/103, 107-110, 118-119, 184, 199; D3/201, 205, 208, 218, 273, 274, 294
CPC .. H02J 50/00; H02J 50/10; H02J 50/12; H02J 50/80; H02J 7/025; H02J 7/005; H02J 7/0026; H02J 7/0042; H02J 7/0044; H02J 7/0045; H02J 7/0013; H02J 7/0003; H02J 50/40; H02J 50/402; H02J 7/007; H02J 7/0027; A45C 2011/001; A45C 2011/002; A45C 2011/003
See application file for complete search history.

(56) **References Cited**

U.S. PATENT DOCUMENTS

- D552,029 S * 10/2007 Kingston D13/108
- D553,077 S * 10/2007 Kim D13/108
- D561,470 S 2/2008 Jalet

- D740,223 S * 10/2015 Yoneta D13/108
- D772,572 S 11/2016 Palmberg et al.
- D774,455 S 12/2016 Kim et al.
- D806,648 S 1/2018 Beedham et al.
- D817,640 S * 5/2018 Dang D3/294
- D829,168 S * 9/2018 Masee D13/108
- D839,583 S 2/2019 Cao
- D841,580 S * 2/2019 Bao D13/108
- D841,581 S * 2/2019 Bonahoom D13/108
- D851,035 S 6/2019 Hong
- D853,116 S 7/2019 Bergman et al.

(Continued)

Primary Examiner — Rosemary K Tarcza

(74) *Attorney, Agent, or Firm* — Holzer Patel Drennan

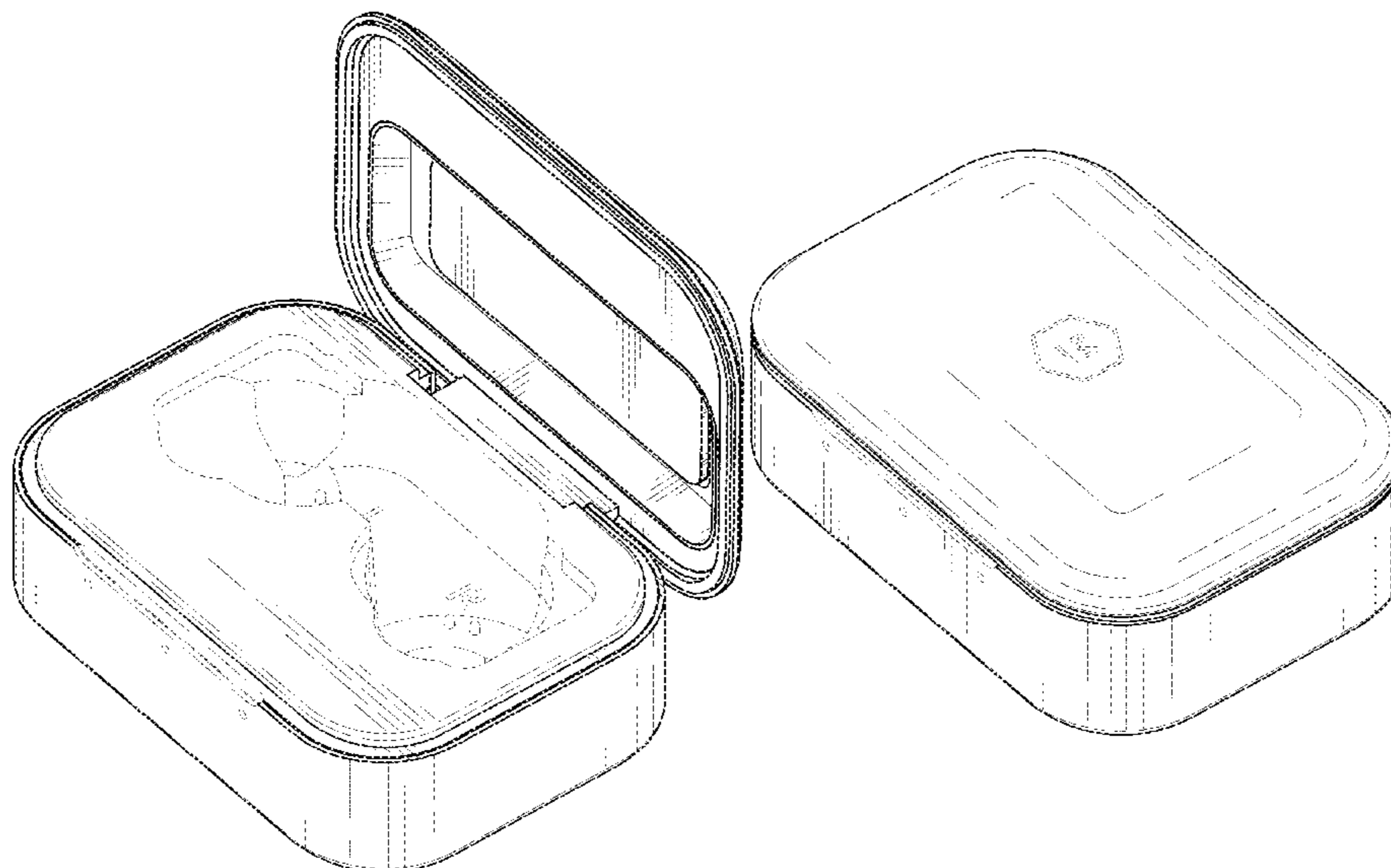
(57) **CLAIM**

The ornamental design for an earpiece charging case, as shown and described.

DESCRIPTION

FIG. 1 is a perspective view of an earpiece charging case showing our design, as viewed from the top and front and with the charging case in an open state.
 FIG. 2 is a front elevational view thereof.
 FIG. 3 is a back elevational view thereof.
 FIG. 4 is a right side elevational view thereof.
 FIG. 5 is a left side elevational view thereof.
 FIG. 6 is a top plan view thereof.
 FIG. 7 is a bottom plan view thereof.
 FIG. 8 is a perspective view of the earpiece charging case showing our design, as viewed from the top and front and with the charging case in a closed state.
 FIG. 9 is a front elevational view thereof.
 FIG. 10 is a back elevational view thereof.
 FIG. 11 is a right side elevational view thereof.
 FIG. 12 is a left side elevational view thereof.
 FIG. 13 is a top plan view thereof; and,
 FIG. 14 is a bottom plan view thereof.
 The broken lines depict portions of the earpiece charging case that forms no part of the claimed design.

1 Claim, 8 Drawing Sheets



(56)

References Cited

U.S. PATENT DOCUMENTS

D864,110	S	*	10/2019	Yoshimura	D13/108
D865,663	S		11/2019	Yao	
D870,451	S		12/2019	Birger	
D872,689	S	*	1/2020	Vardi	D13/108
D873,217	S	*	1/2020	Zhang	D13/108
D881,810	S	*	4/2020	Zhang	D13/108
D881,812	S		4/2020	Yang	
D886,454	S		6/2020	Williamson et al.	
D886,455	S		6/2020	Williamson et al.	
D886,738	S		6/2020	Huang	
D887,351	S		6/2020	Bonahoom et al.	
D888,664	S		6/2020	Ma	
10,701,472	B1	*	6/2020	Xu	H02J 7/0044
D890,696	S		7/2020	Sweet et al.	
D892,045	S		8/2020	Zhang	
D894,122	S		8/2020	Ye	
D894,123	S	*	8/2020	Xiong	D13/108
D899,089	S		10/2020	Yu	
D902,589	S		11/2020	Li	
D906,238	S	*	12/2020	Zhang	D13/108
D908,617	S	*	1/2021	Briggs	D13/108
2018/0123367	A1	*	5/2018	Higgins	H02J 7/0027
2020/0304899	A1		9/2020	Cramer et al.	

* cited by examiner

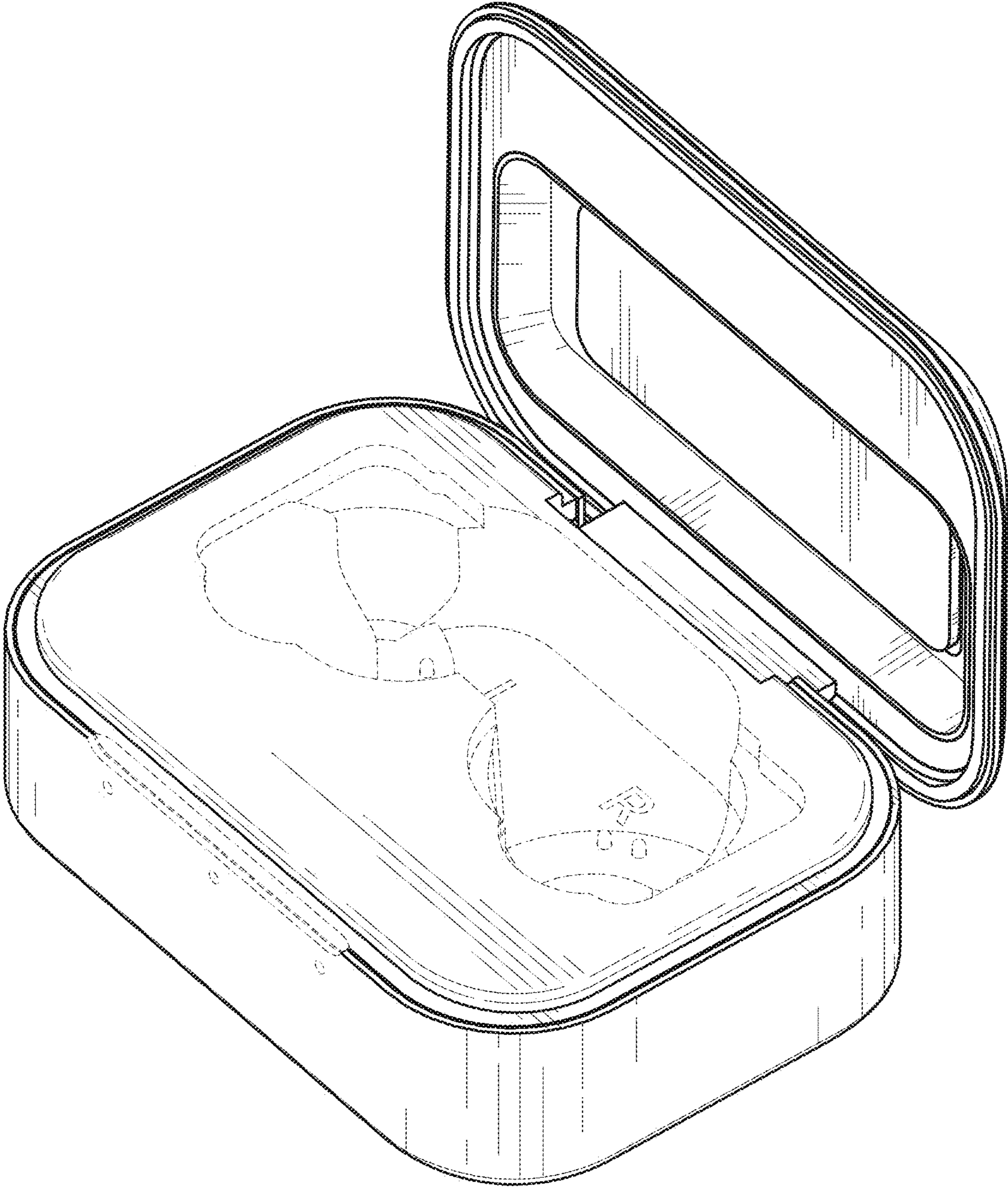


Fig. 1

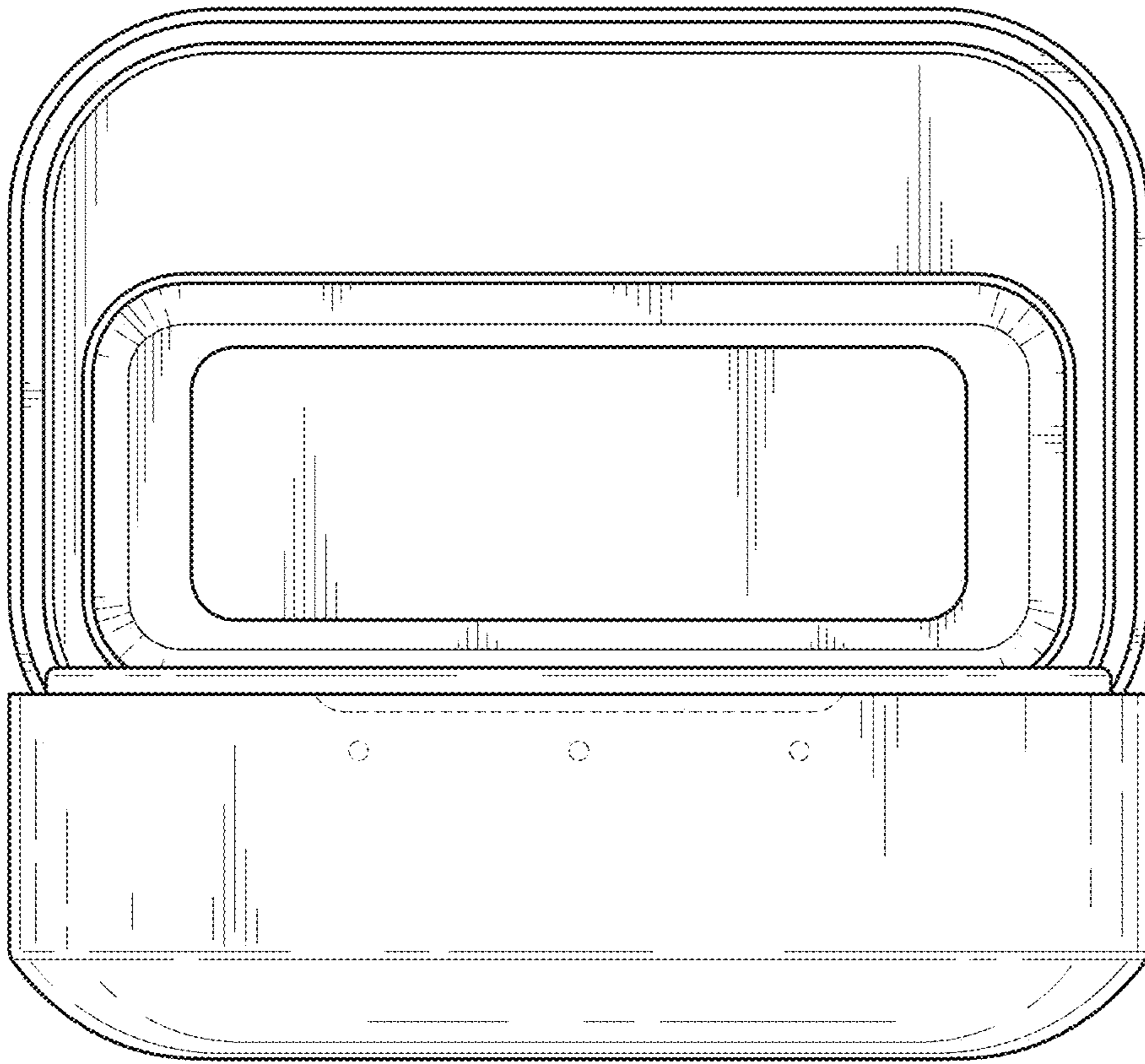


Fig. 2

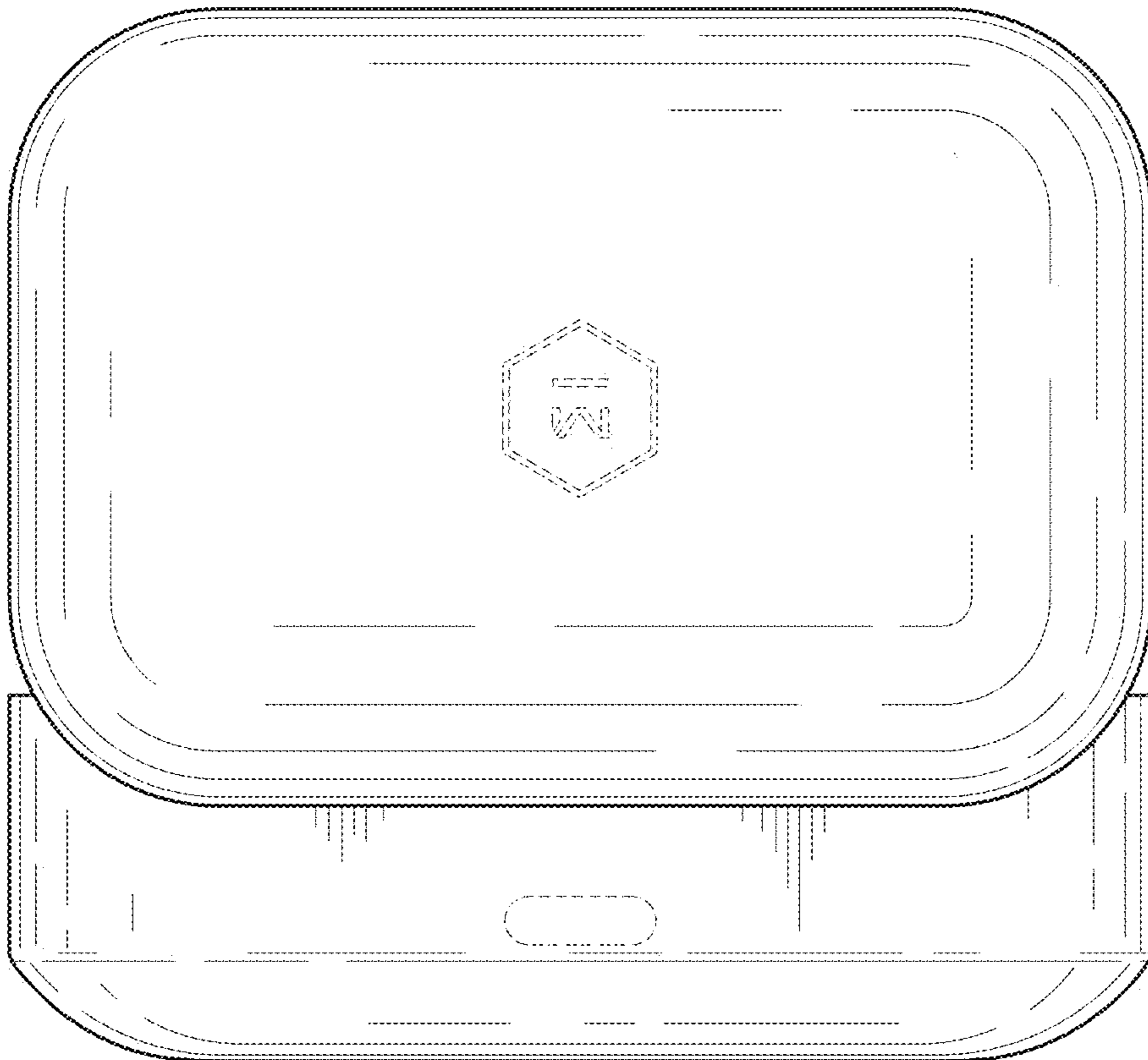


Fig. 3

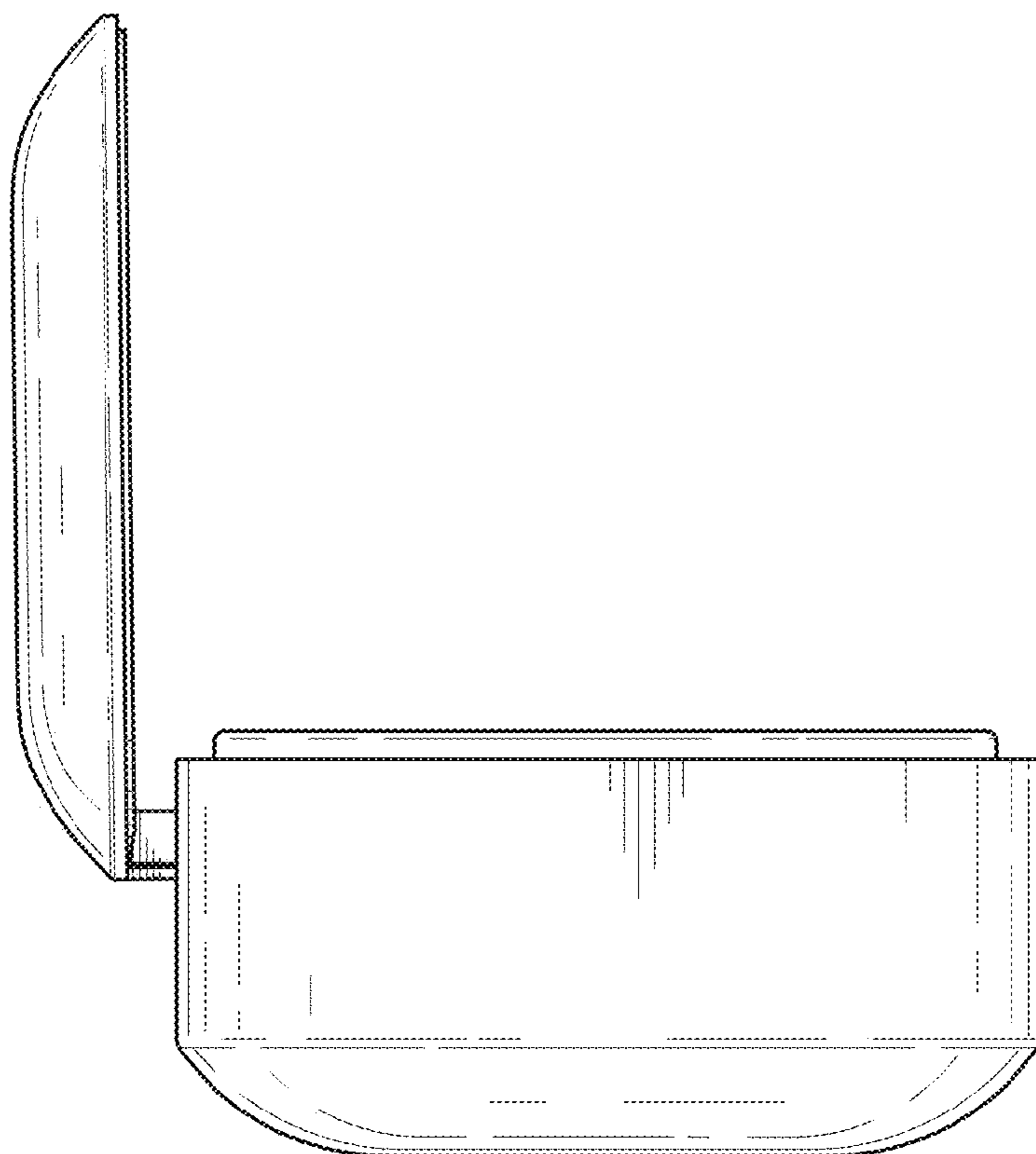


Fig. 4

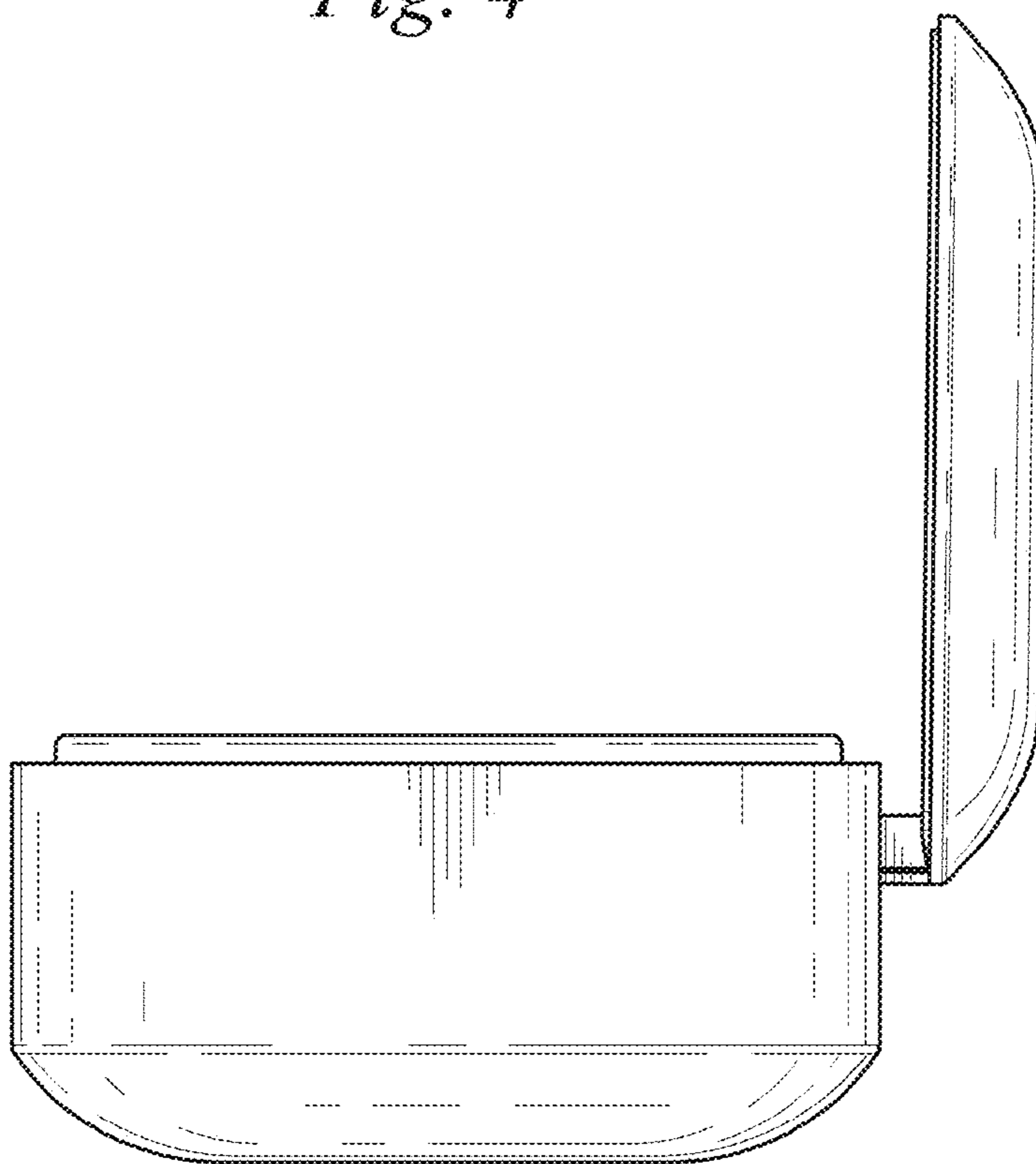


Fig. 5

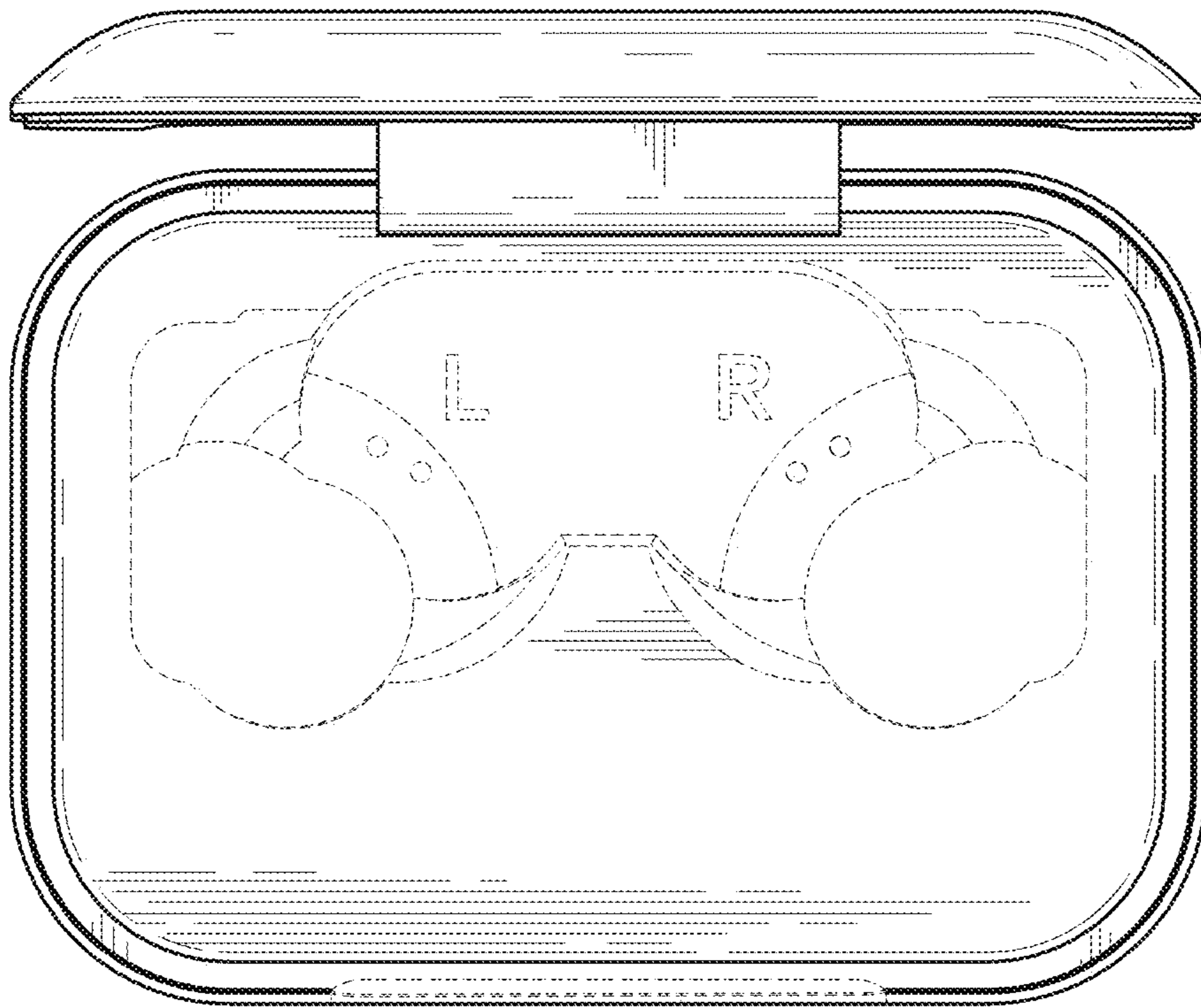


Fig. 6

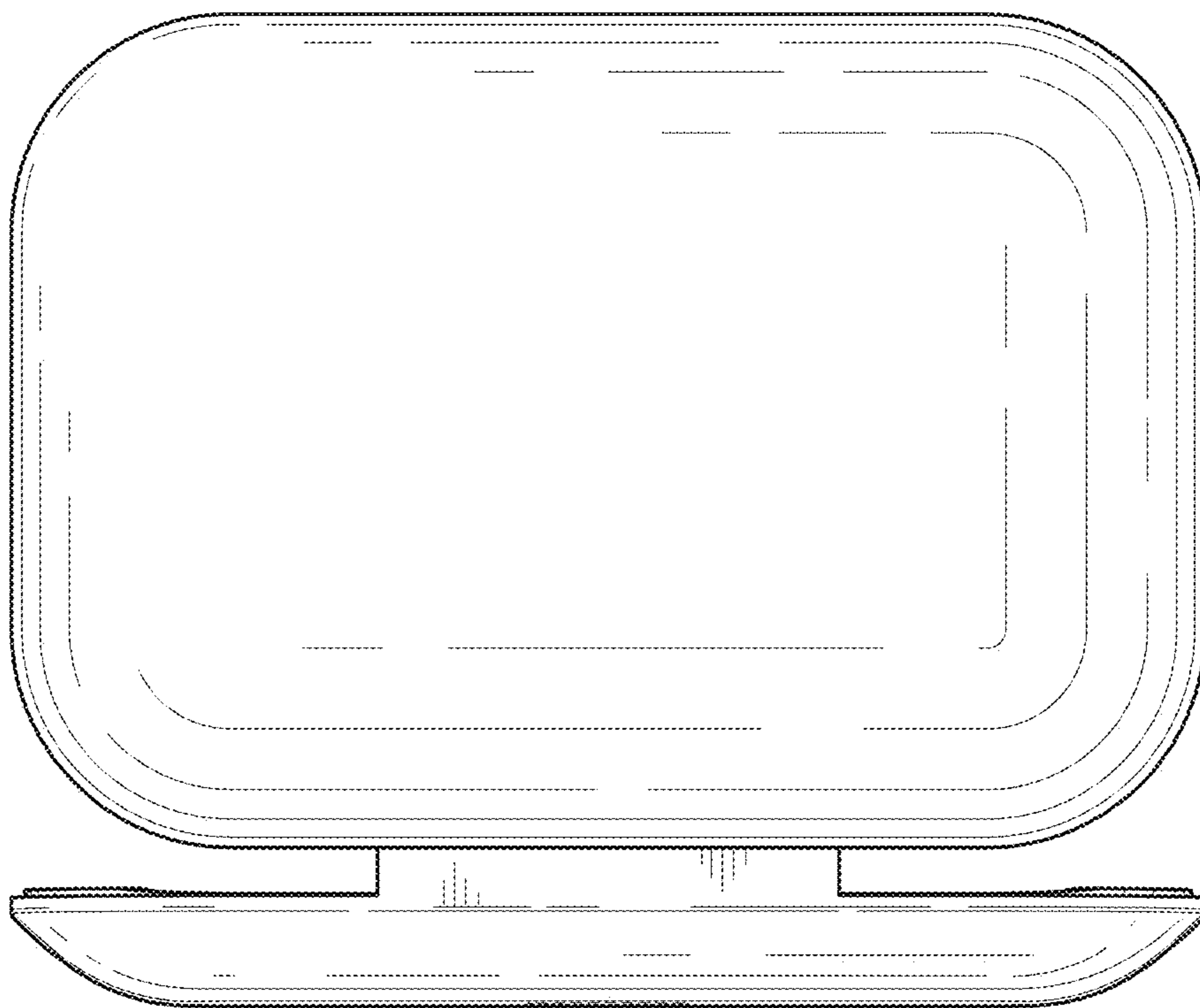


Fig. 7

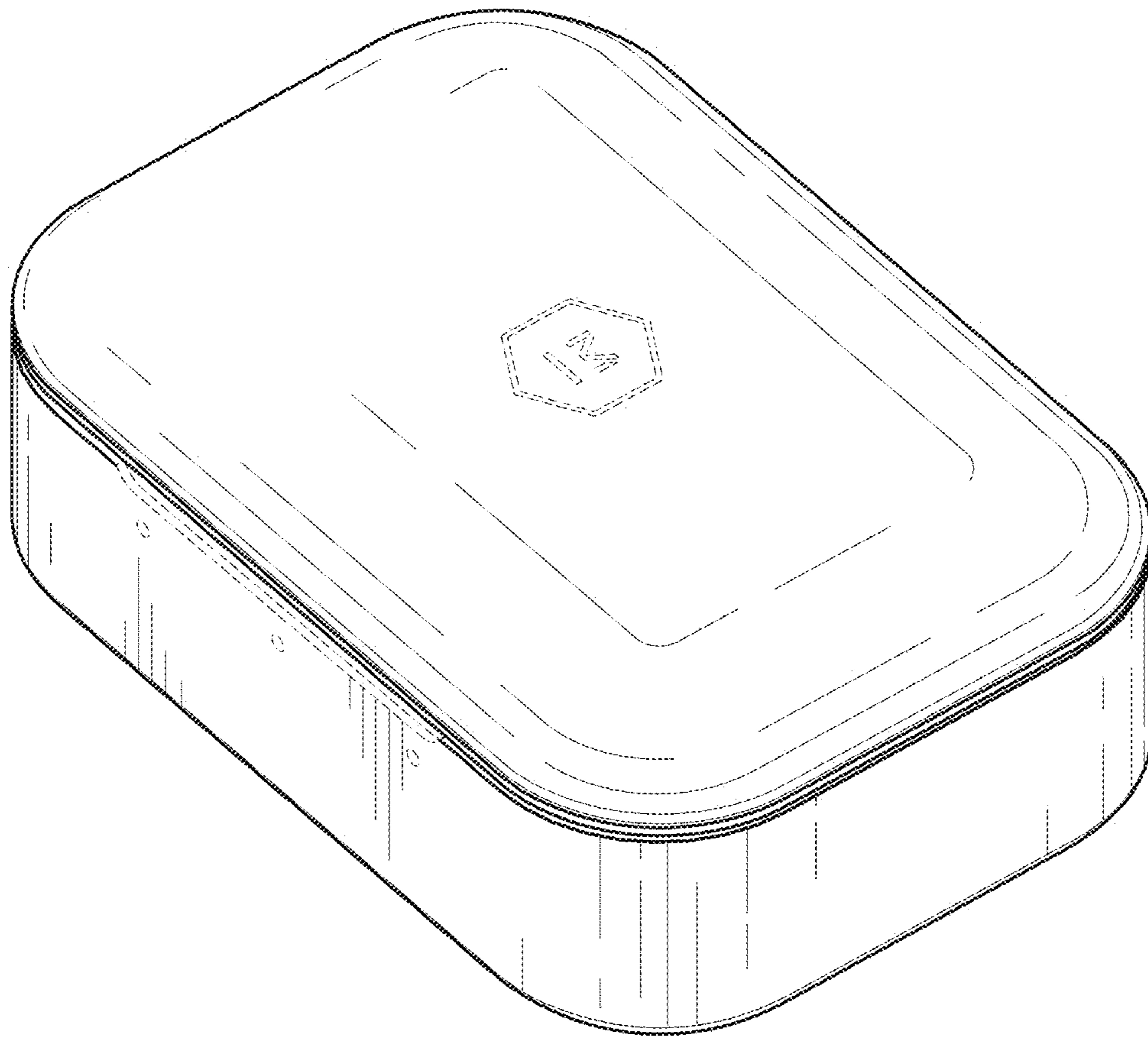


Fig. 8

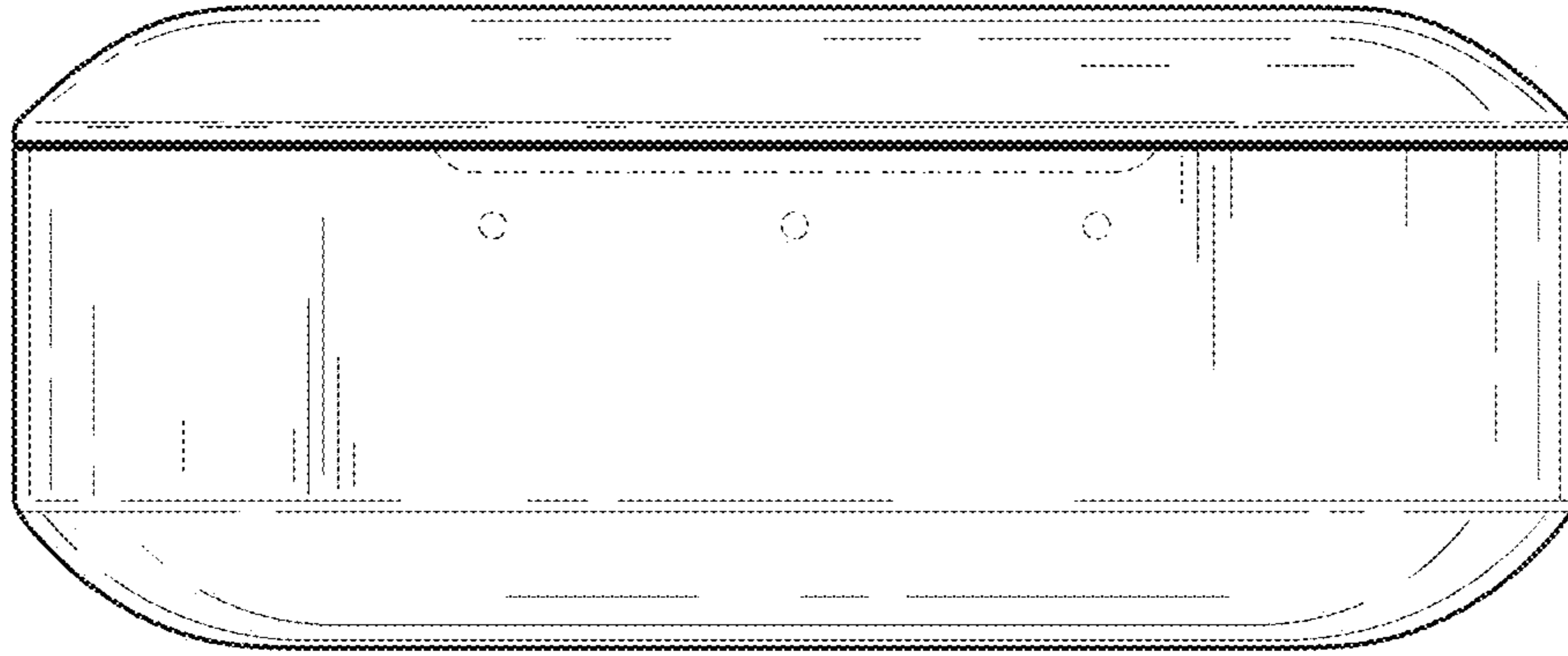


Fig. 9

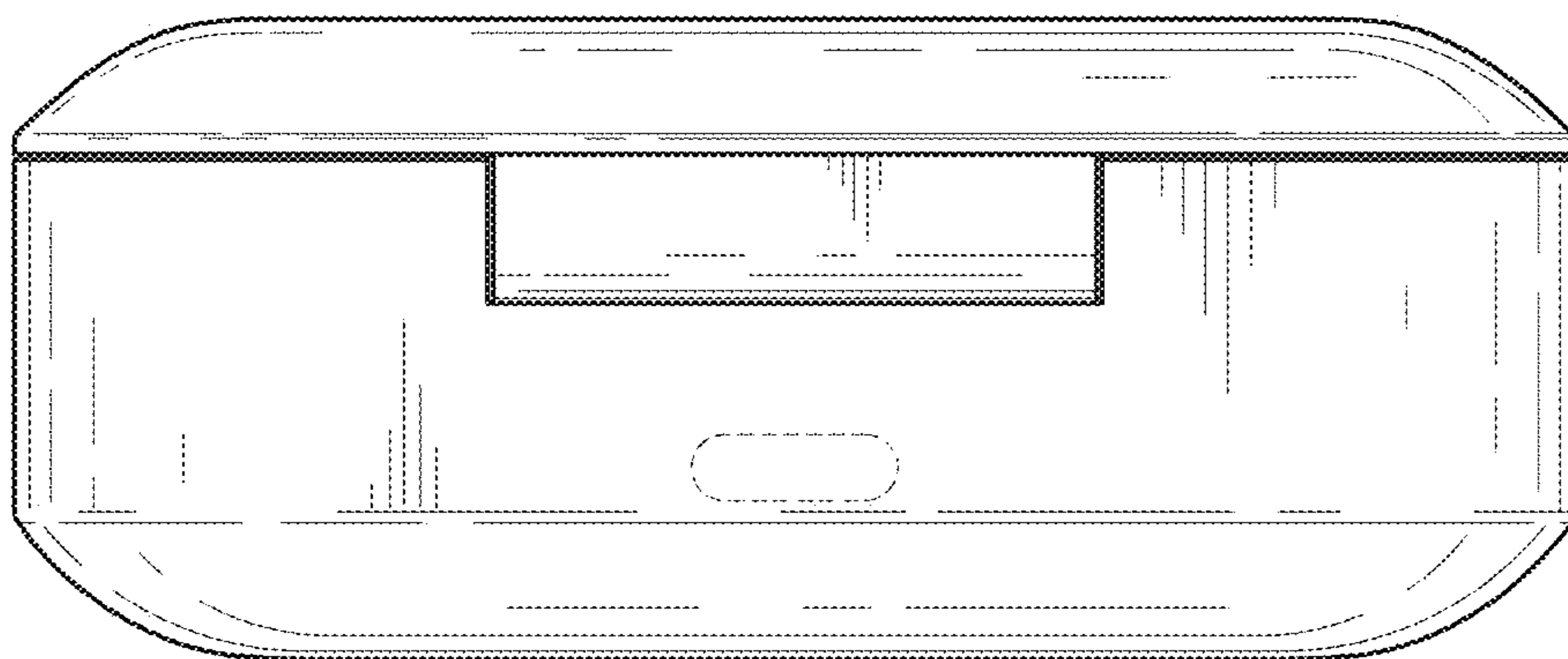


Fig. 10

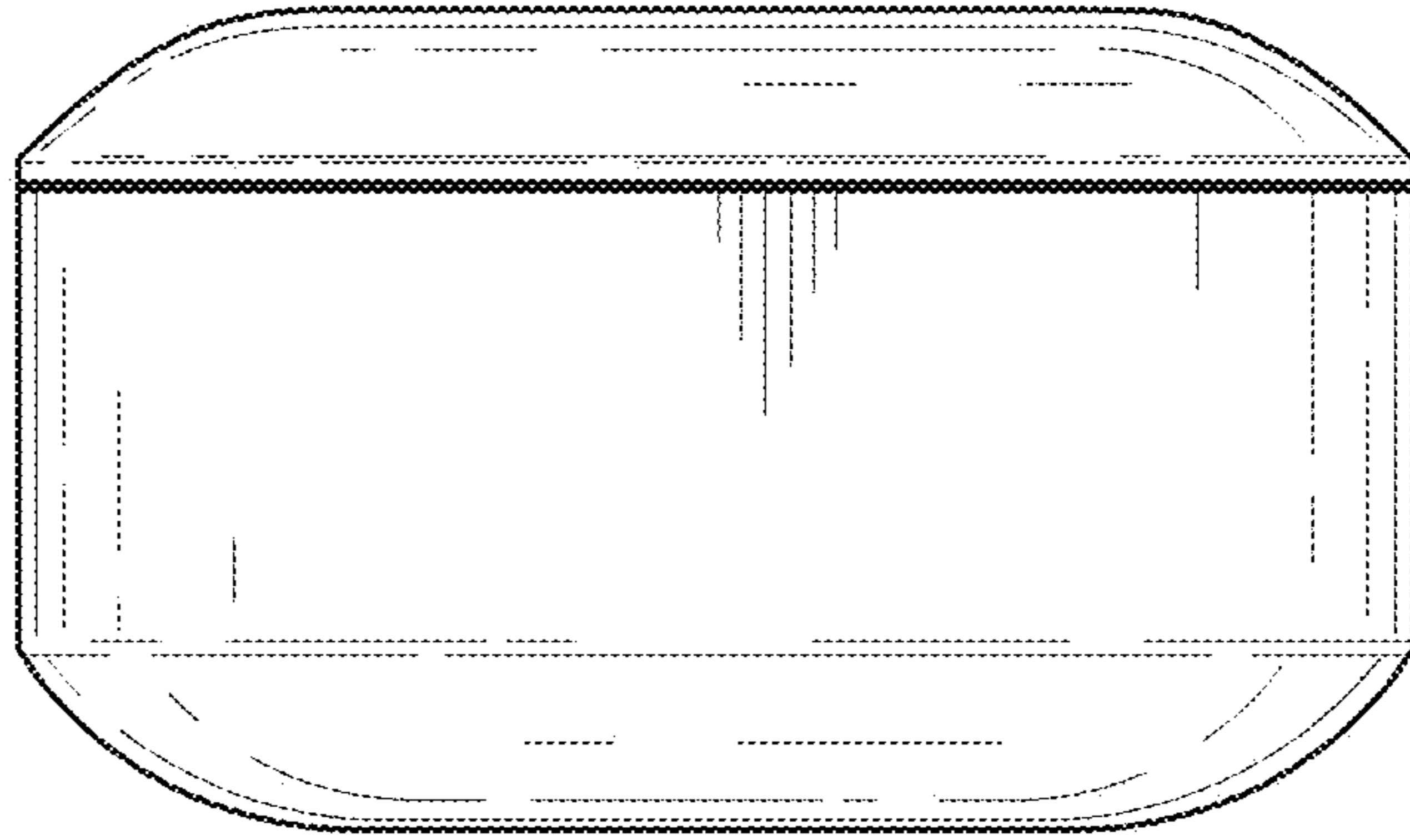


Fig. 11

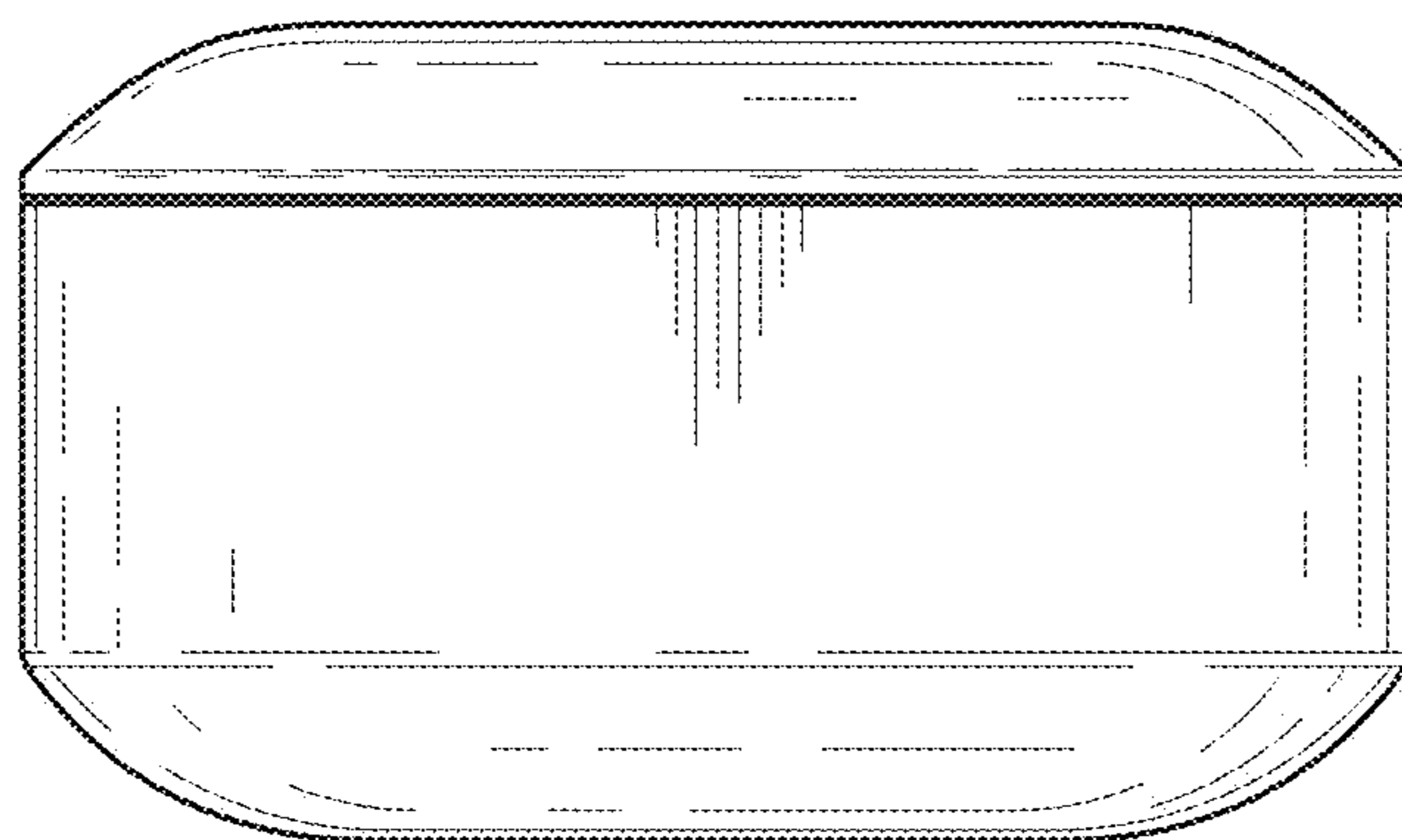


Fig. 12

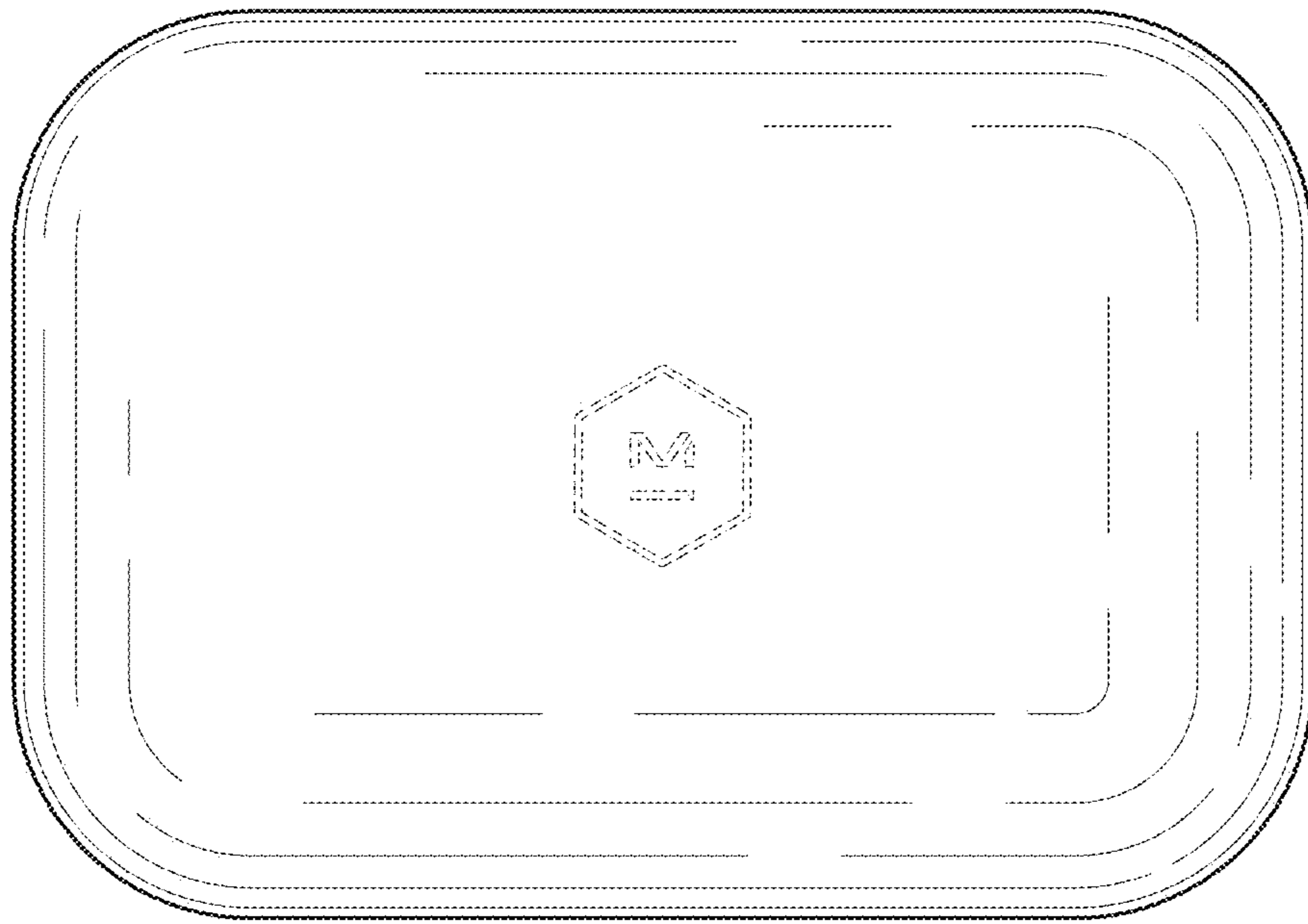


Fig. 13

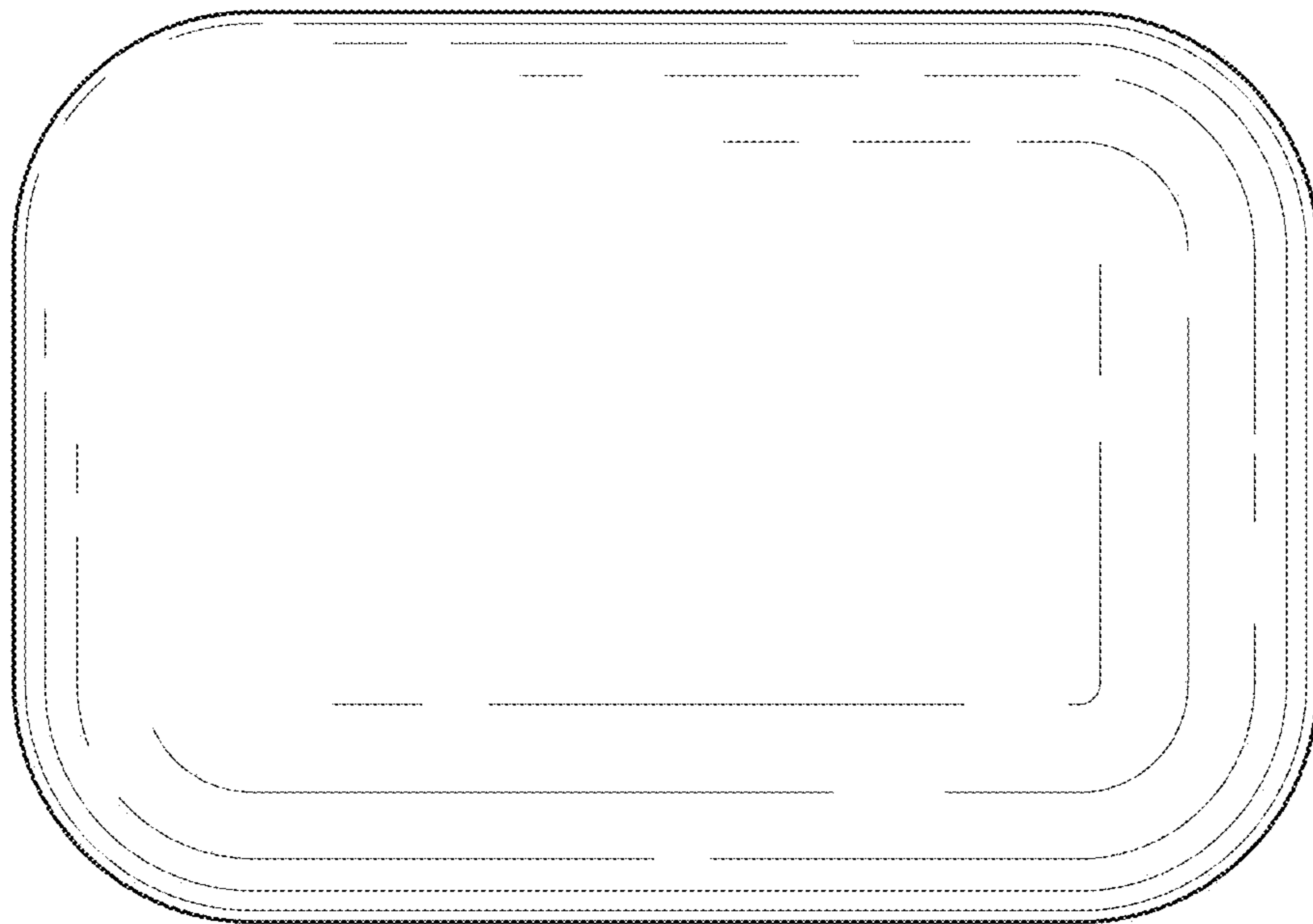


Fig. 14