



US00D931211S

(12) **United States Design Patent**
Cheng

(10) **Patent No.:** **US D931,211 S**

(45) **Date of Patent:** **** Sep. 21, 2021**

- (54) **WIRELESS CHARGER**
- (71) Applicant: **SHENZHEN SHUNWEI TRADING CO., LTD.**, Shenzhen (CN)
- (72) Inventor: **Haibo Cheng**, Shenzhen (CN)
- (73) Assignee: **SHENZHEN SHUNWEI TRADING CO., LTD.**, Shenzhen (CN)
- (**) Term: **15 Years**

D845,896 S	4/2019	Hu	
D859,308 S	9/2019	Connell et al.	
D868,691 S	12/2019	Sun	
D880,418 S *	4/2020	Zhang	D13/108
D884,622 S *	5/2020	Huang	D13/108
D886,051 S *	6/2020	Chen	D13/108
D892,046 S *	8/2020	Peng	D13/108
D893,422 S *	8/2020	Xiao	D13/108
D920,237 S *	5/2021	Huang	D13/108
D920,238 S *	5/2021	Xiao	D13/108
D920,240 S *	5/2021	Xiao	D13/108
D920,241 S *	5/2021	Xiao	D13/108
D926,126 S *	7/2021	DeMaio	D13/108

- (21) Appl. No.: **29/759,123**
- (22) Filed: **Nov. 20, 2020**
- (51) **LOC (13) Cl.** **13-02**
- (52) **U.S. Cl.**
USPC **D13/108**
- (58) **Field of Classification Search**
USPC D13/103, 107-110, 118-119, 184, 199;
D14/251, 253, 432, 434
CPC .. H02J 50/00; H02J 50/10; H02J 50/12; H02J
50/80; H02J 7/025; H02J 7/005; H02J
7/0026; H02J 7/0042; H02J 7/0044; H02J
7/0045; H02J 7/0013; H02J 7/0003
See application file for complete search history.

* cited by examiner

Primary Examiner — Rosemary K Tarcza

(57) **CLAIM**

The ornamental design for a wireless charger, as shown and described.

DESCRIPTION

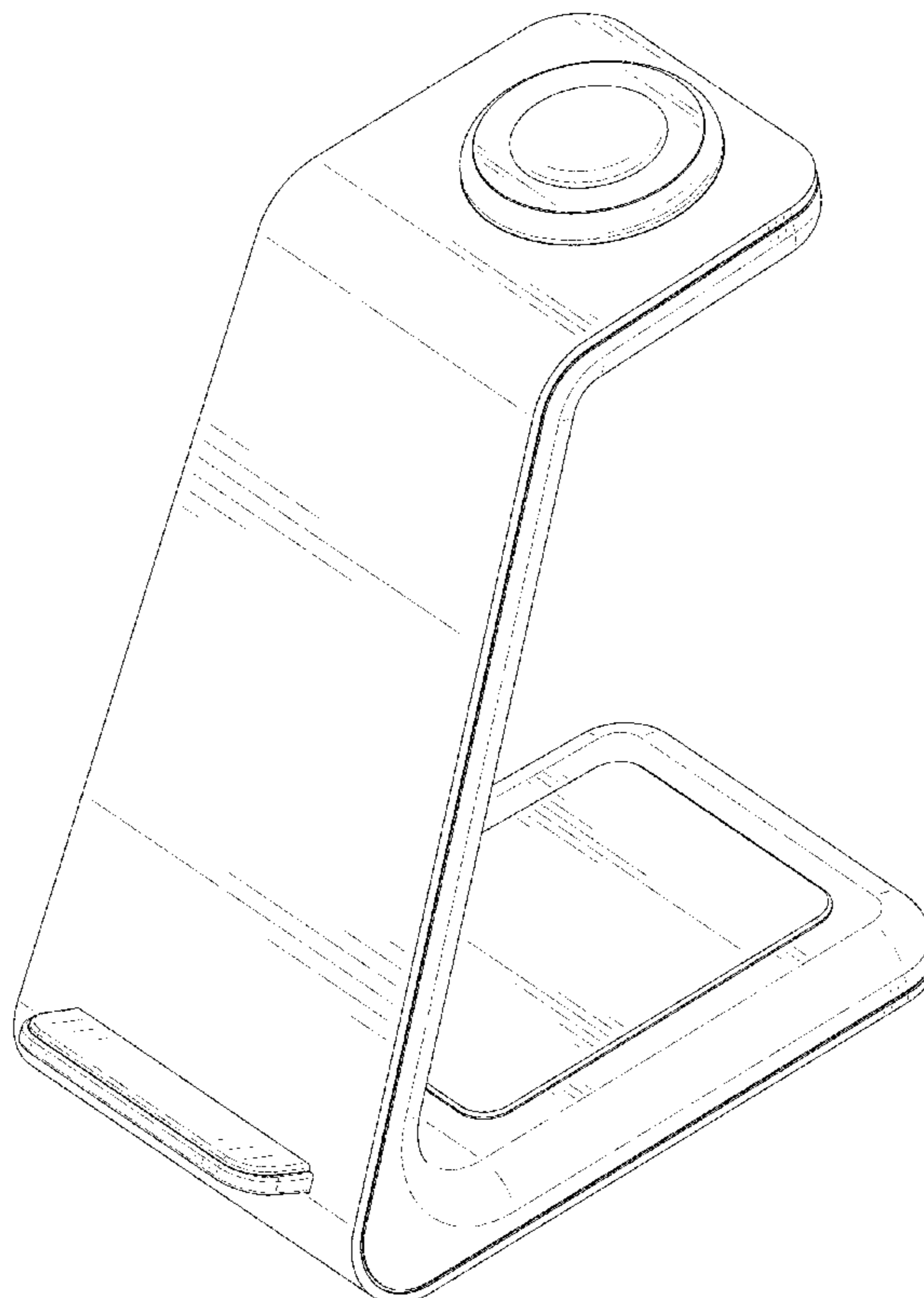
FIG. 1 is a perspective view of a wireless charger showing my crew design;
 FIG. 2 is another perspective view thereof;
 FIG. 3 is a front elevational view thereof;
 FIG. 4 is a rear elevational view thereof;
 FIG. 5 is a left side elevational view thereof;
 FIG. 6 is a right side elevational view thereof;
 FIG. 7 is a top plan view thereof; and,
 FIG. 8 is a bottom plan view thereof.
 The broken lines in the drawings depict portions of the wireless charger that form no part of the claimed design.

(56) **References Cited**

U.S. PATENT DOCUMENTS

D762,650 S *	8/2016	Dang	D14/434
D788,699 S *	6/2017	Hoehn	D13/107
D815,594 S *	4/2018	Chen	D13/108

1 Claim, 8 Drawing Sheets



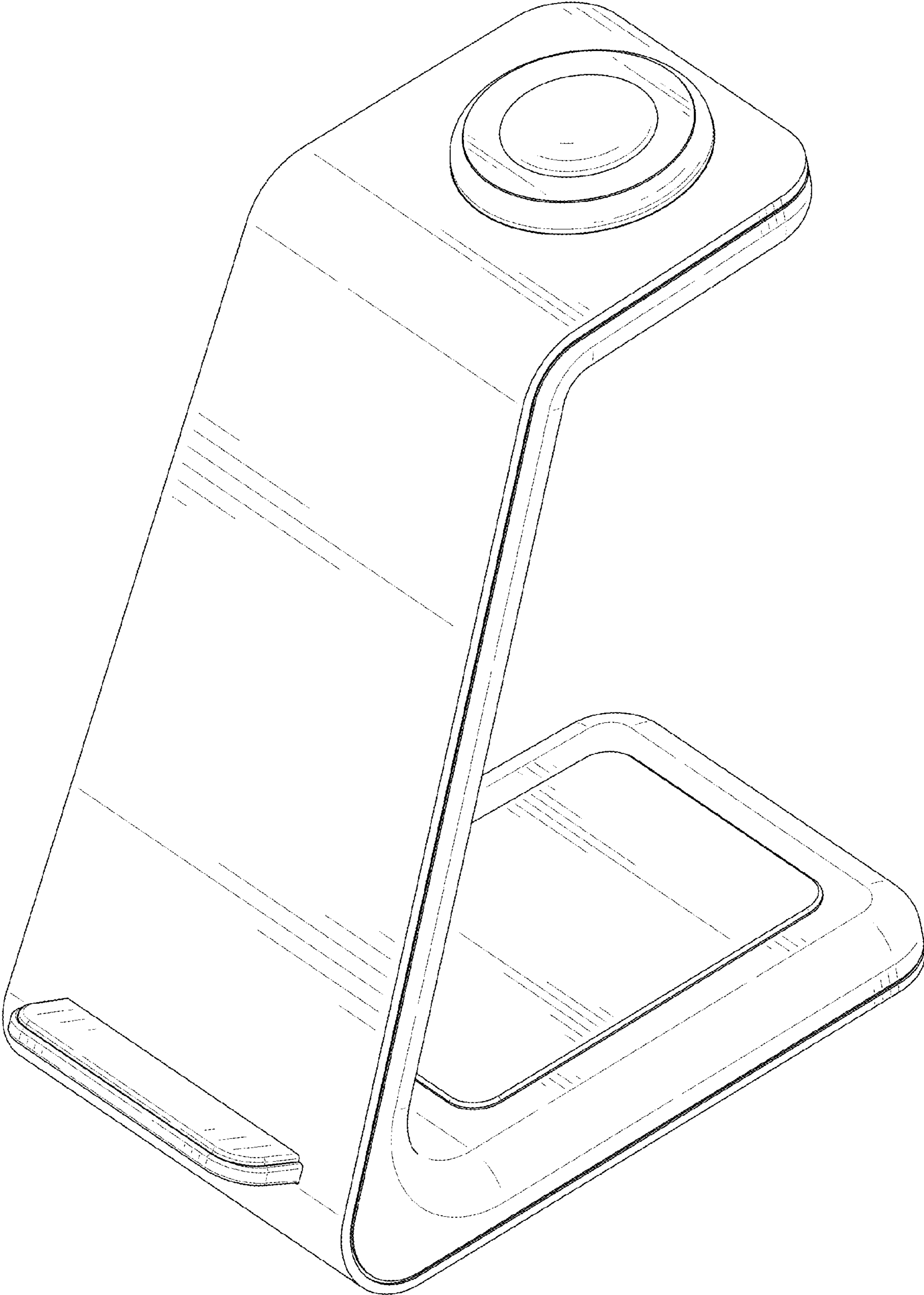


FIG. 1

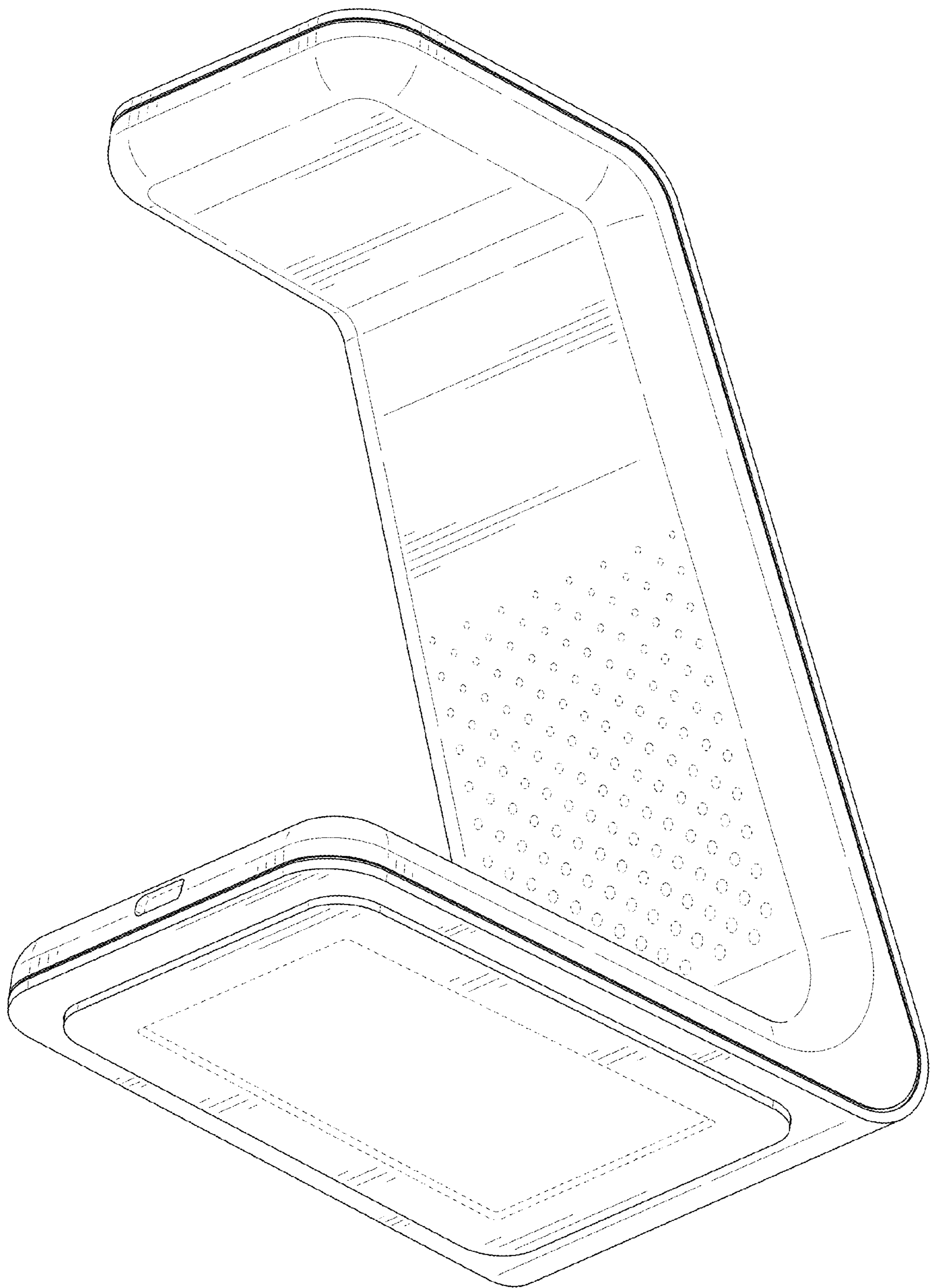


FIG. 2

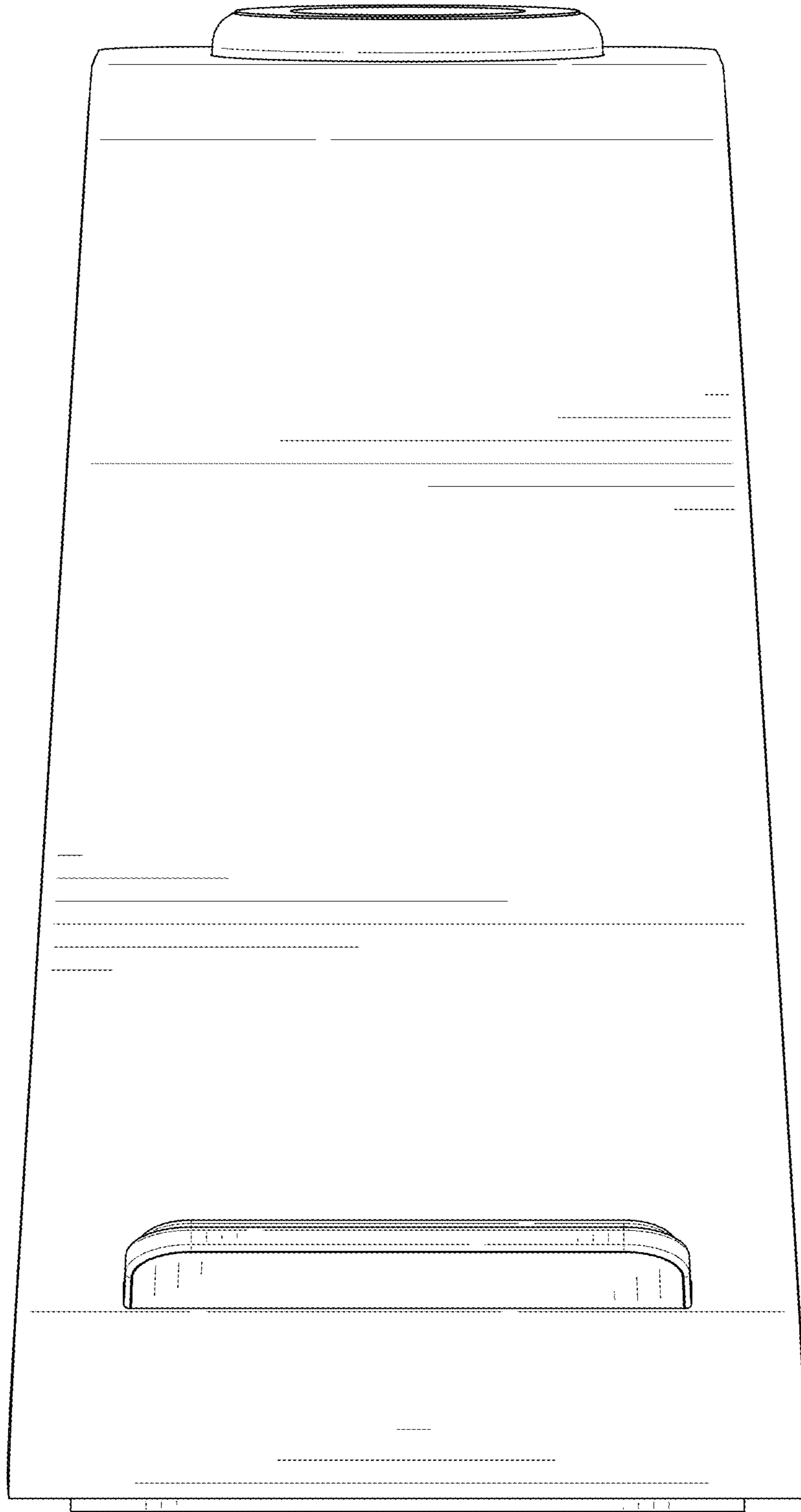


FIG. 3

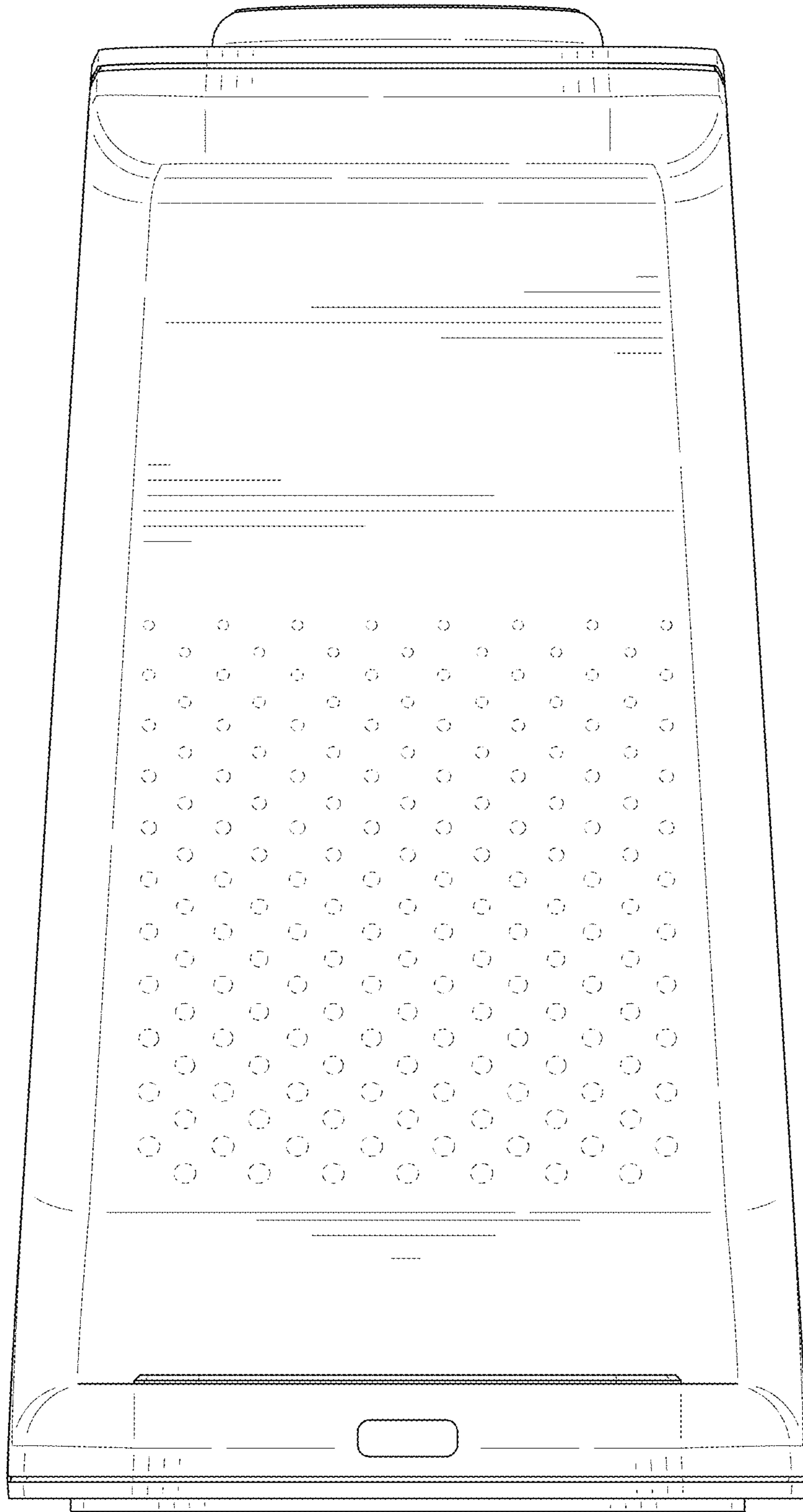


FIG. 4

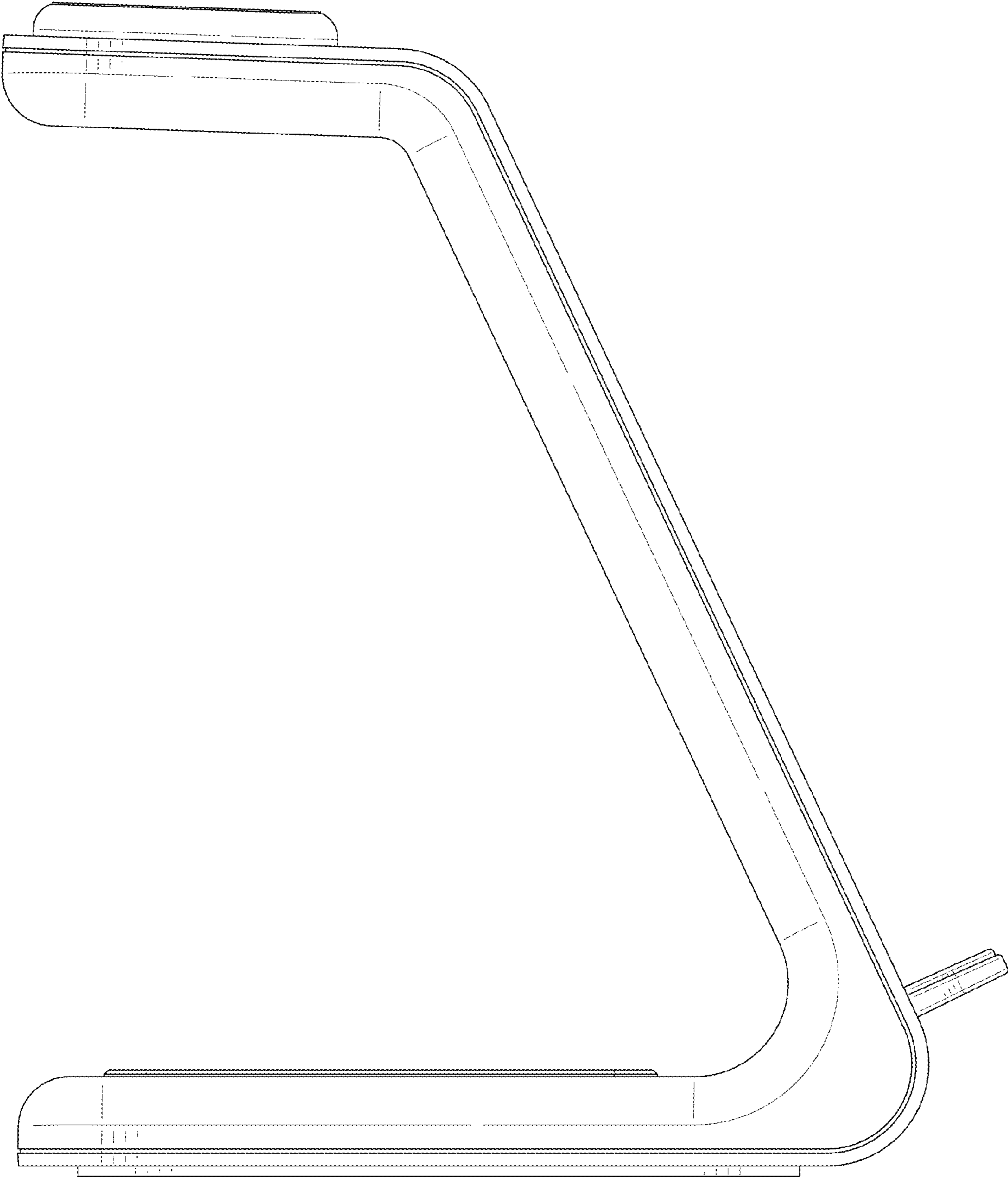


FIG. 5

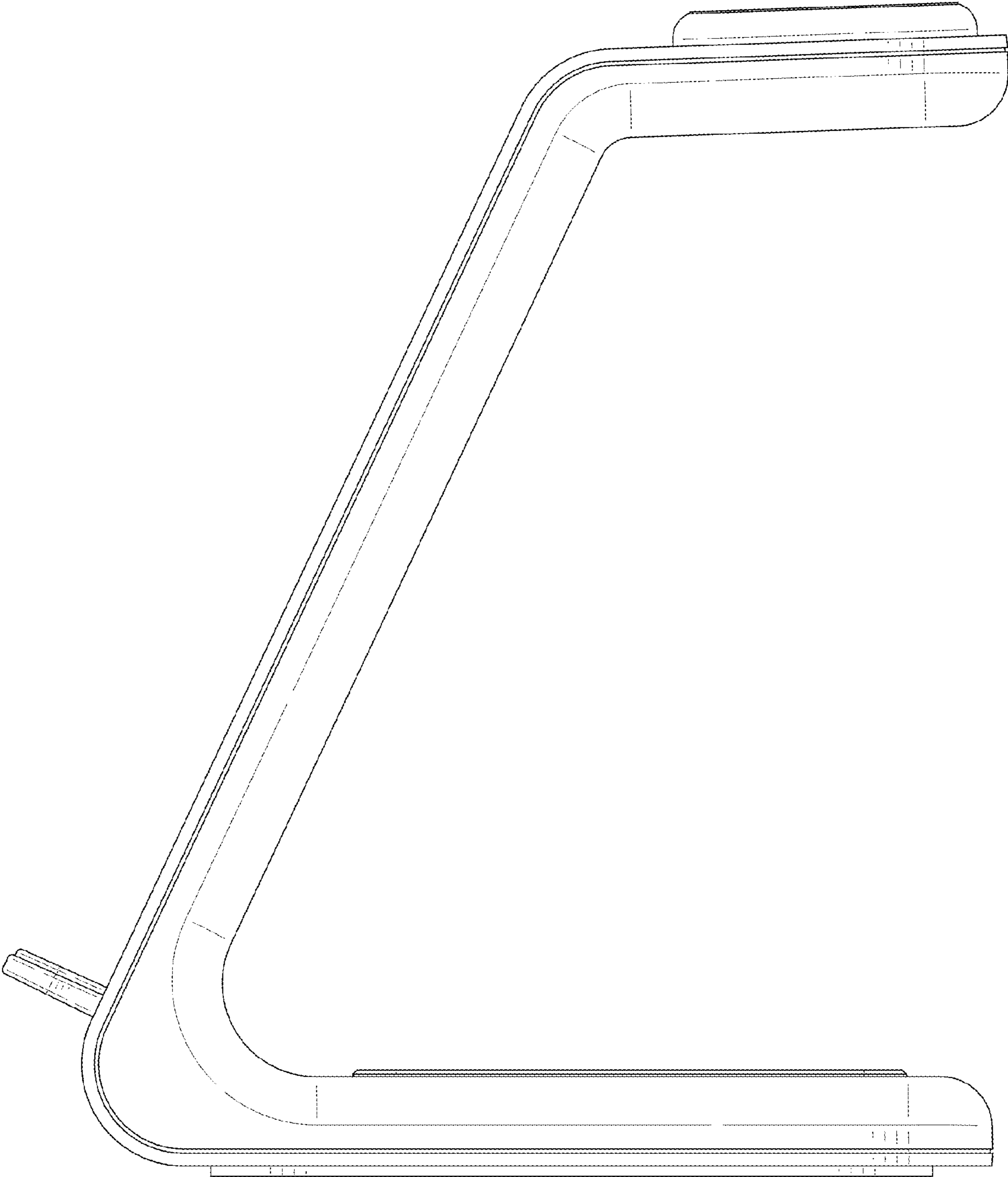


FIG. 6

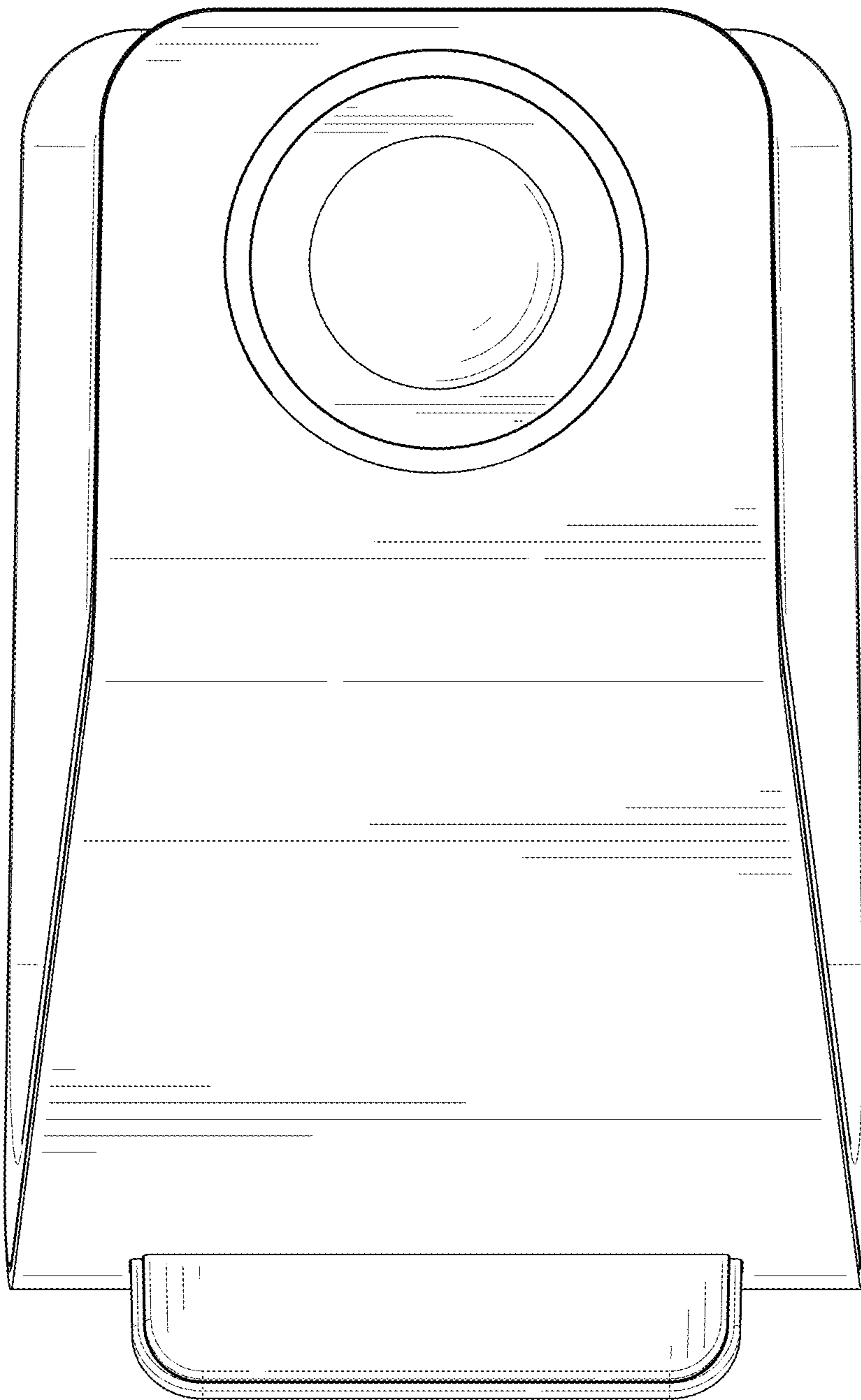


FIG. 7

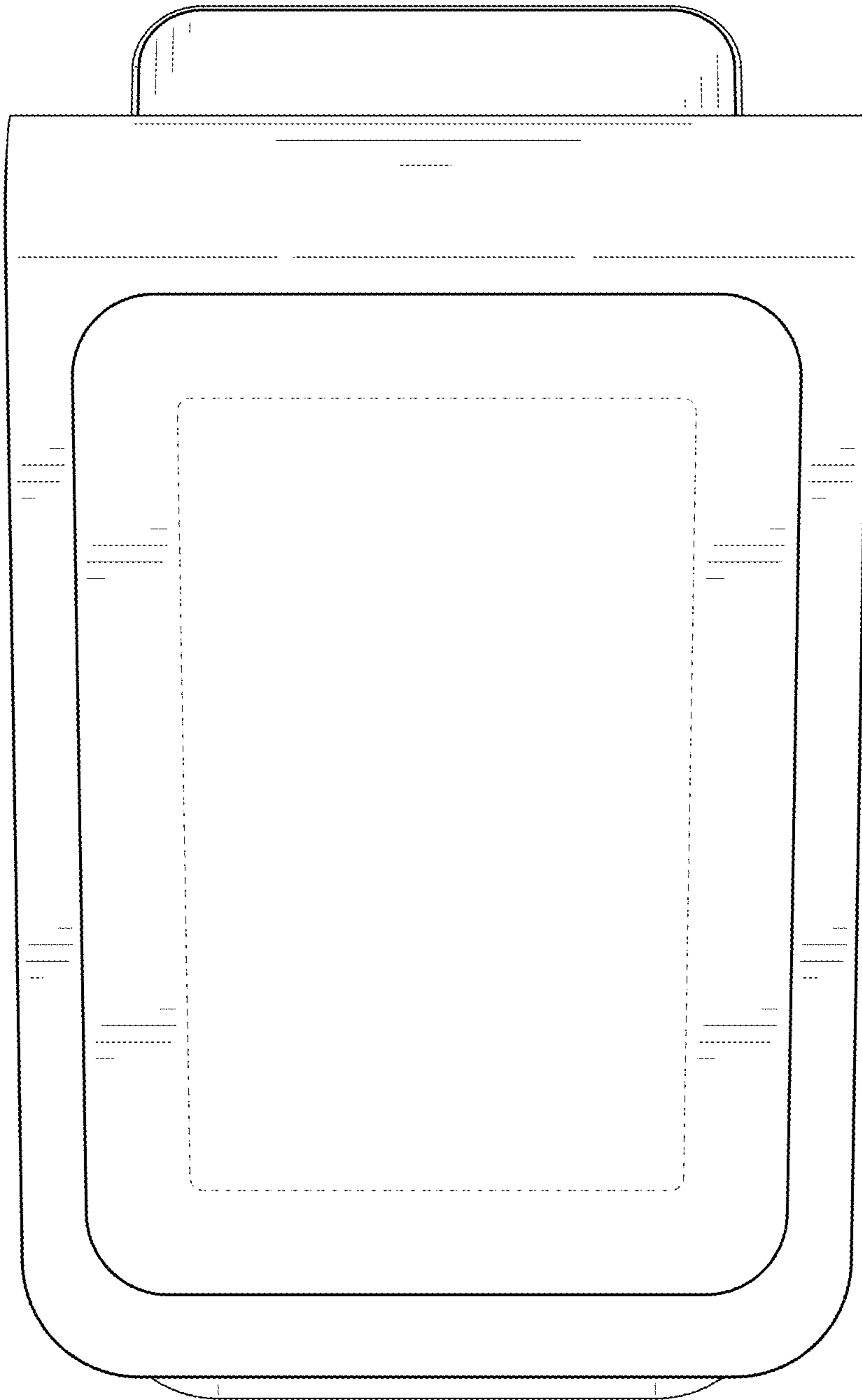


FIG. 8