



US00D931210S

(12) **United States Design Patent**
Lee

(10) **Patent No.:** **US D931,210 S**
(45) **Date of Patent:** **** Sep. 21, 2021**

- (54) **EARPHONE CHARGING CASE**
- (71) Applicant: **Make Great Sales Limited**, Wanchai (HK)
- (72) Inventor: **Kin Choi Lee**, Wanchai (HK)
- (73) Assignee: **MAKE GREAT SALES LIMITED**, Hong Kong (HK)
- (**) Term: **15 Years**
- (21) Appl. No.: **29/746,170**
- (22) Filed: **Aug. 12, 2020**
- (51) **LOC (13) Cl.** **13-02**
- (52) **U.S. Cl.**
USPC **D13/108; D3/294**
- (58) **Field of Classification Search**
USPC D13/103, 107-110, 118, 119, 184, 199;
D14/251, 253, 432, 434; D3/294
CPC Y02E 60/12; H02J 7/025; H02J 7/0042;
H02J 7/0044; H02J 7/0045; H02J 7/0003;
H02J 7/0027; H02J 7/0013; H02J 7/0054;
H02J 7/00; H02J 3/32; H02J 3/008; H02J
2001/008; H01F 38/14; H01R 13/6675;
H01M 2/1022; H01M 2/1055; H01M
10/44; H01M 10/46; H01M 10/425;
B60R 16/03; B60L 11/1809; B60L
11/1861; B60L 11/182
See application file for complete search history.

(56) **References Cited**

U.S. PATENT DOCUMENTS

D658,581 S	*	5/2012	Reade	D13/110
D806,388 S	*	1/2018	Akana	D3/294
D818,268 S	*	5/2018	Akana	D3/294
D849,401 S	*	5/2019	Akana	D3/274
D878,045 S	*	3/2020	Akana	D3/274
D881,572 S	*	4/2020	Wang	D3/294

D888,662 S	*	6/2020	Cramer	D13/108
D890,091 S	*	7/2020	Cramer	D13/108
D893,184 S	*	8/2020	Liu	D3/294
D897,678 S	*	10/2020	Koh	D3/294
D897,997 S	*	10/2020	Zhang	D14/223
D902,588 S	*	11/2020	Zhang	D3/294
D904,025 S	*	12/2020	Ma	D3/295
D904,755 S	*	12/2020	Birger	D3/201
D904,977 S	*	12/2020	Deng	D13/108
D905,430 S	*	12/2020	Kwak	D3/273
D906,238 S	*	12/2020	Zhang	D13/108
D907,009 S	*	1/2021	Akana	D14/223
D908,345 S	*	1/2021	He	D3/201
D910,553 S	*	2/2021	Cramer	D13/108
D911,027 S	*	2/2021	Liang	D3/274
D911,028 S	*	2/2021	Lee	D3/294
D911,944 S	*	3/2021	Gao	D13/108
D912,622 S	*	3/2021	Zhou	D13/108
D914,591 S	*	3/2021	Ganapathy	D13/107
D917,389 S	*	4/2021	Ye	D13/108
D918,138 S	*	5/2021	Ma	D13/108

(Continued)

Primary Examiner — Christy Nemeth

(74) *Attorney, Agent, or Firm* — Onello & Mello, LLP

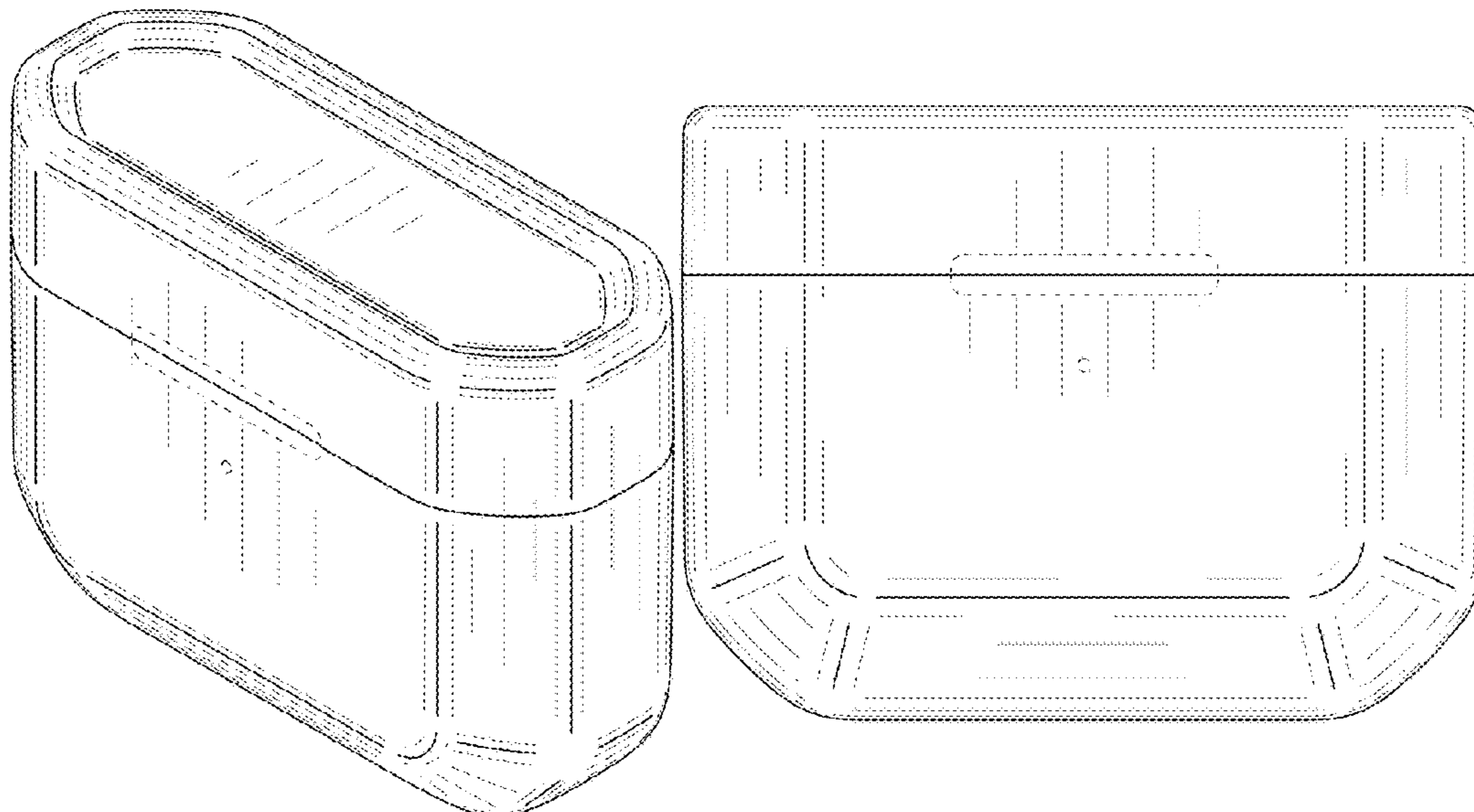
(57) **CLAIM**

The ornamental design for an earphone case, as shown and described.

DESCRIPTION

FIG. 1 is a front perspective view of an earphone charging case of my new design;
 FIG. 2 is a top view thereof;
 FIG. 3 is a front view thereof;
 FIG. 4 is a rear view thereof;
 FIG. 5 is a bottom view thereof;
 FIG. 6 is a left side view thereof; and,
 FIG. 7 is a right side view thereof.
 The broken lines in the drawings are for the purpose of illustrating portions of the earphone charging case that form no part of the claimed design.

1 Claim, 4 Drawing Sheets



(56)

References Cited

U.S. PATENT DOCUMENTS

D922,315 S	*	6/2021	Zhang	D13/108
D922,946 S	*	6/2021	Chen	D13/108
D924,798 S	*	7/2021	Ando	D13/108

* cited by examiner

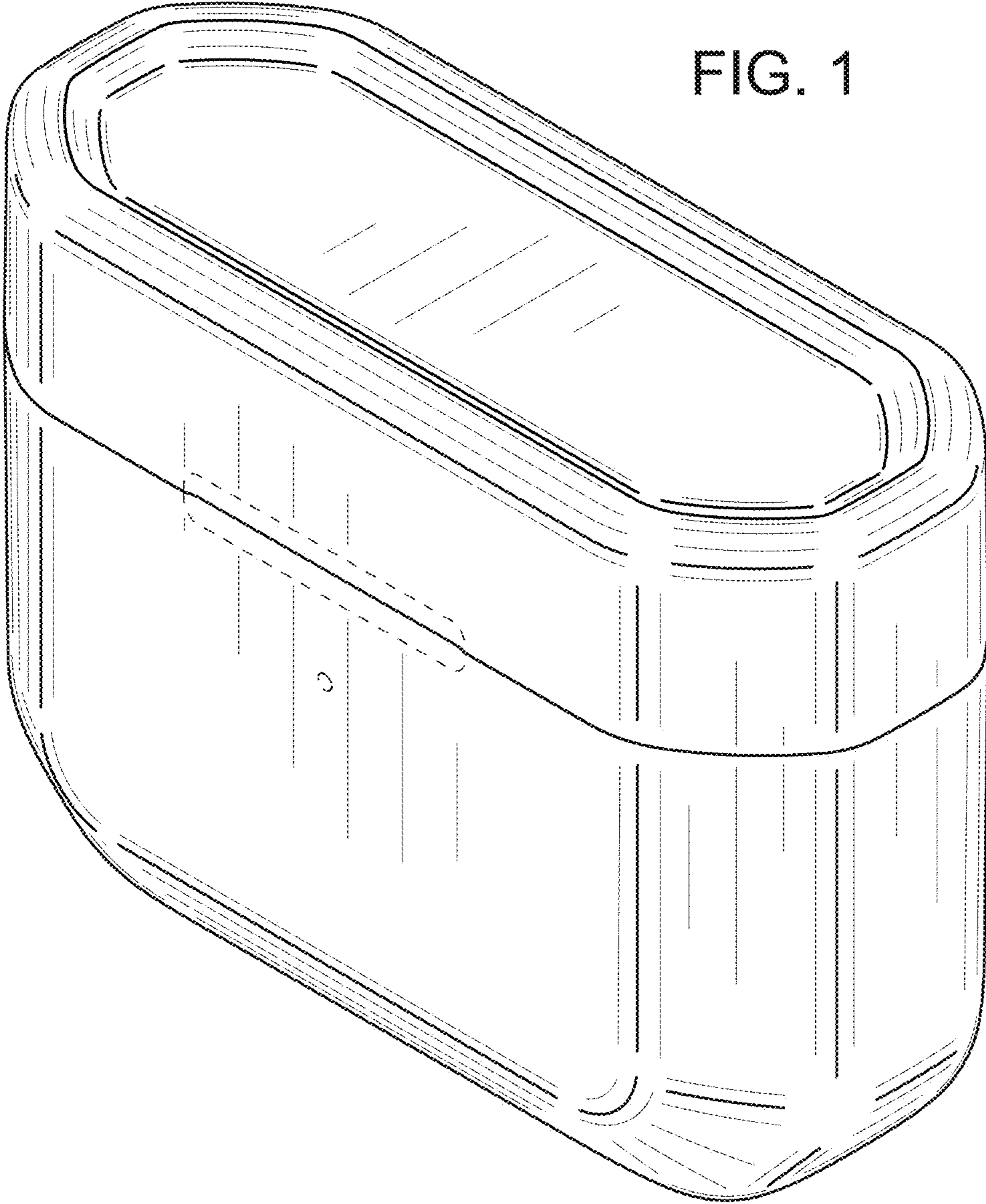


FIG. 1

FIG. 2

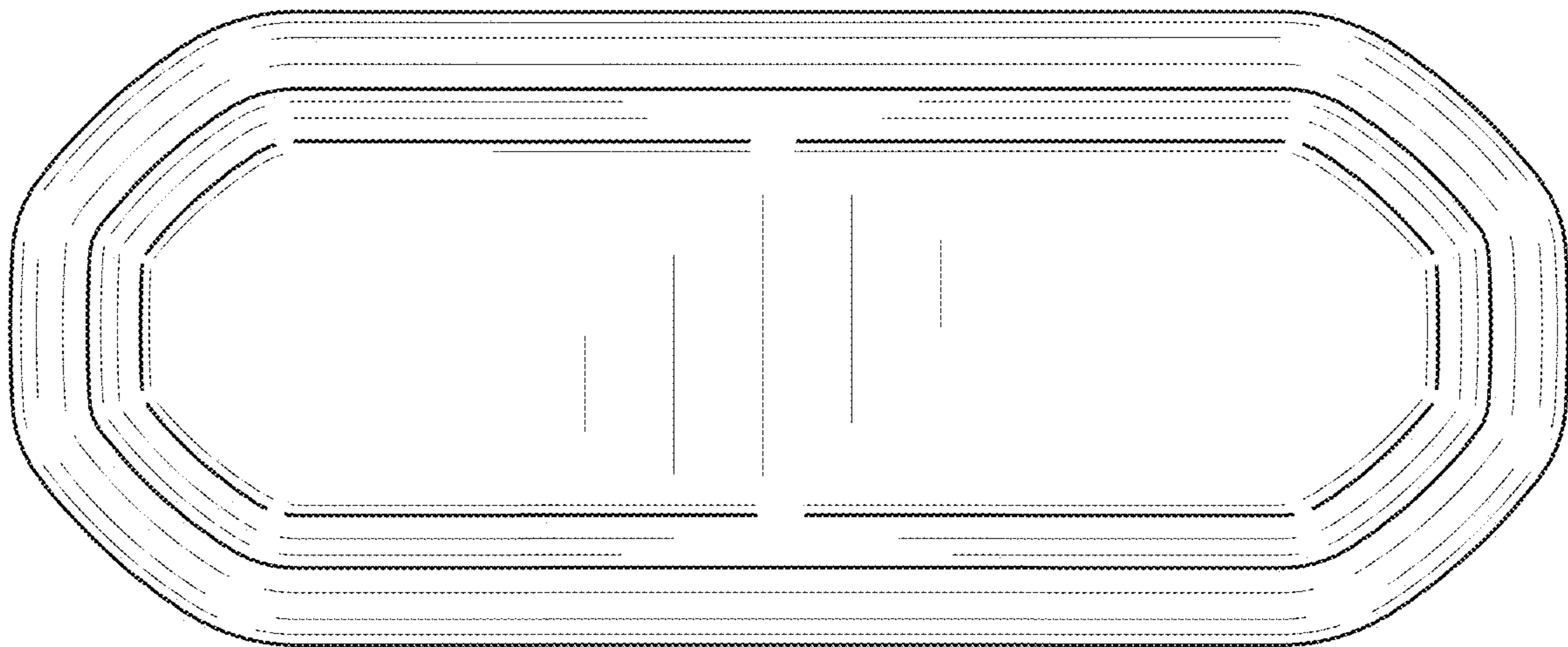


FIG. 3

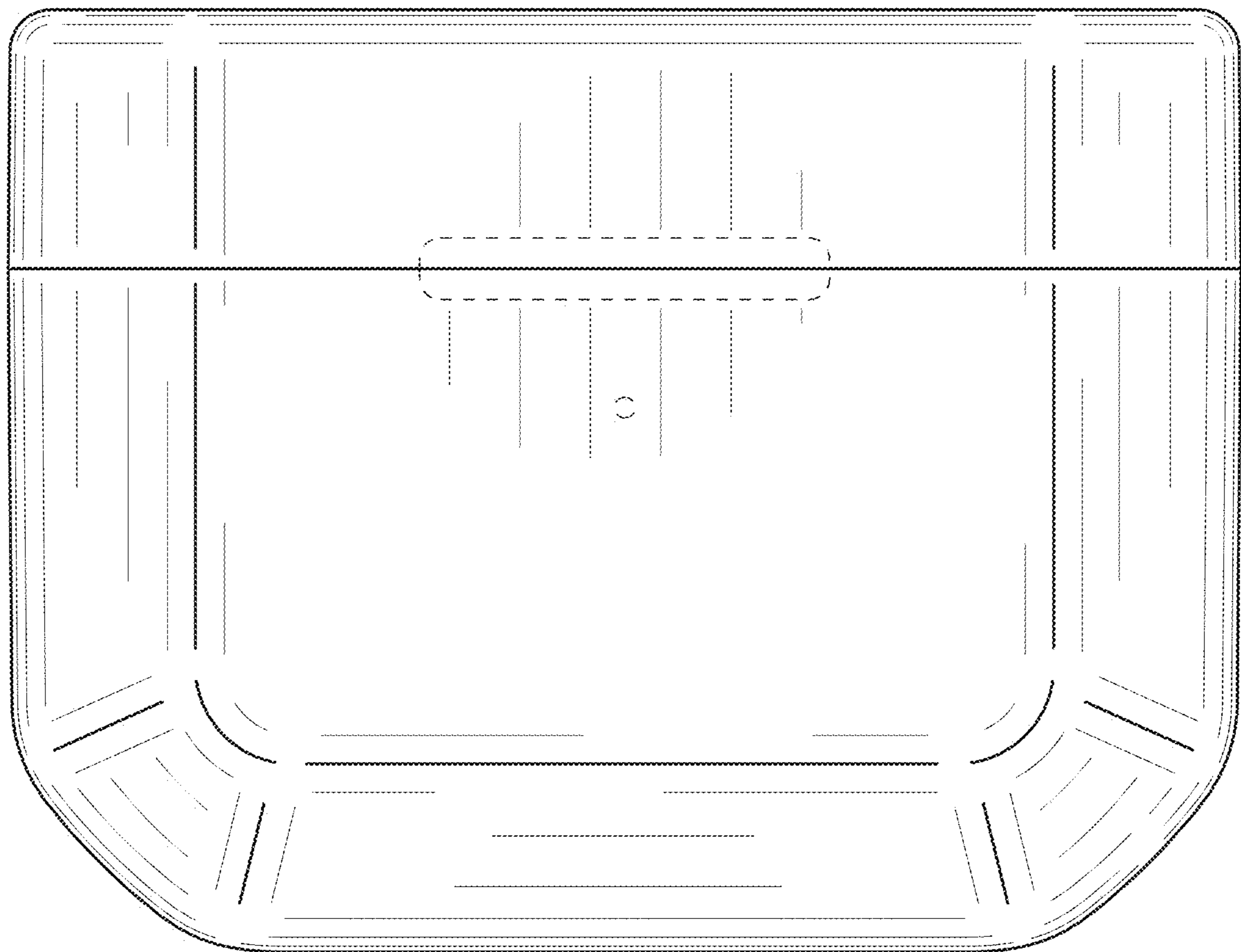


FIG. 4

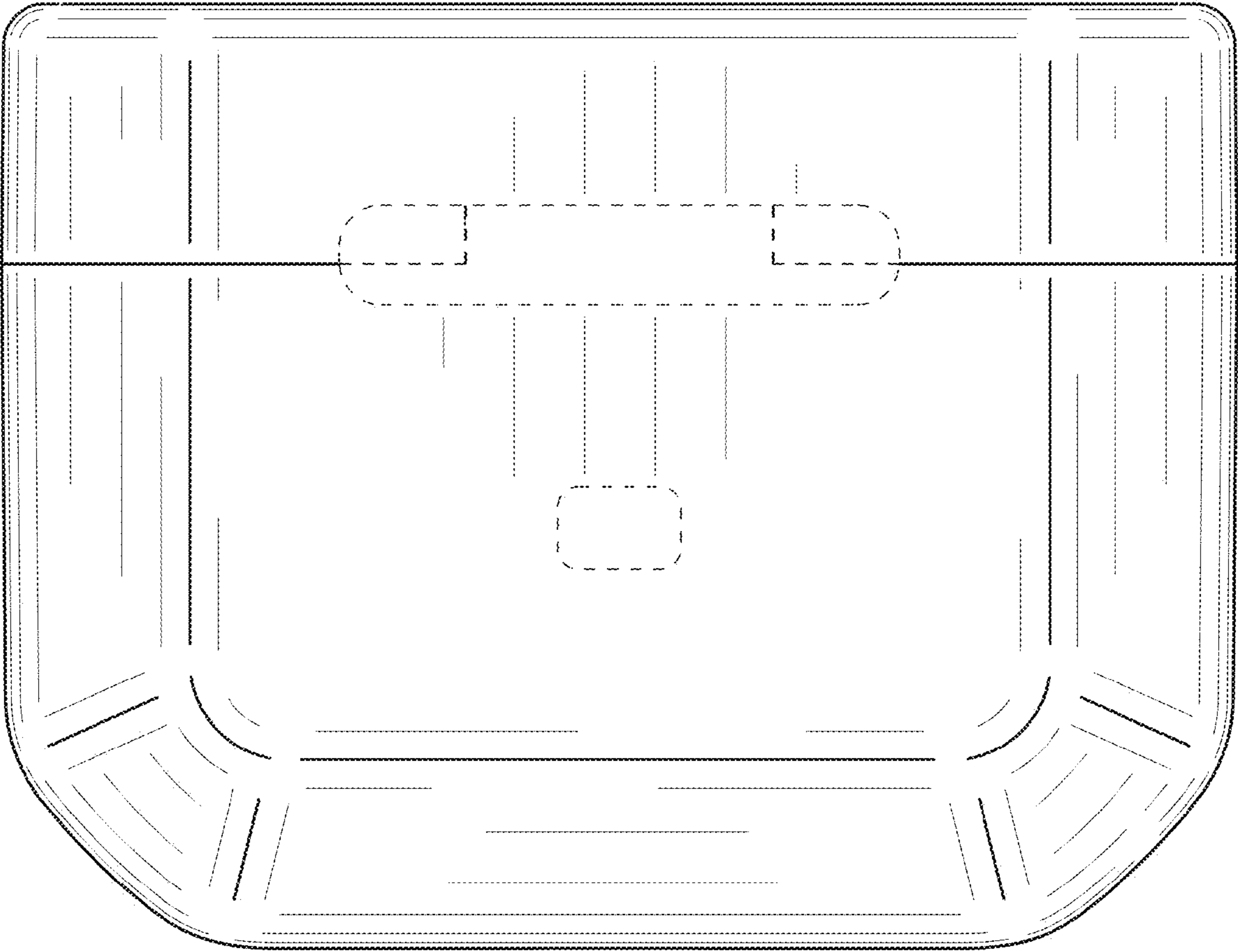


FIG. 5

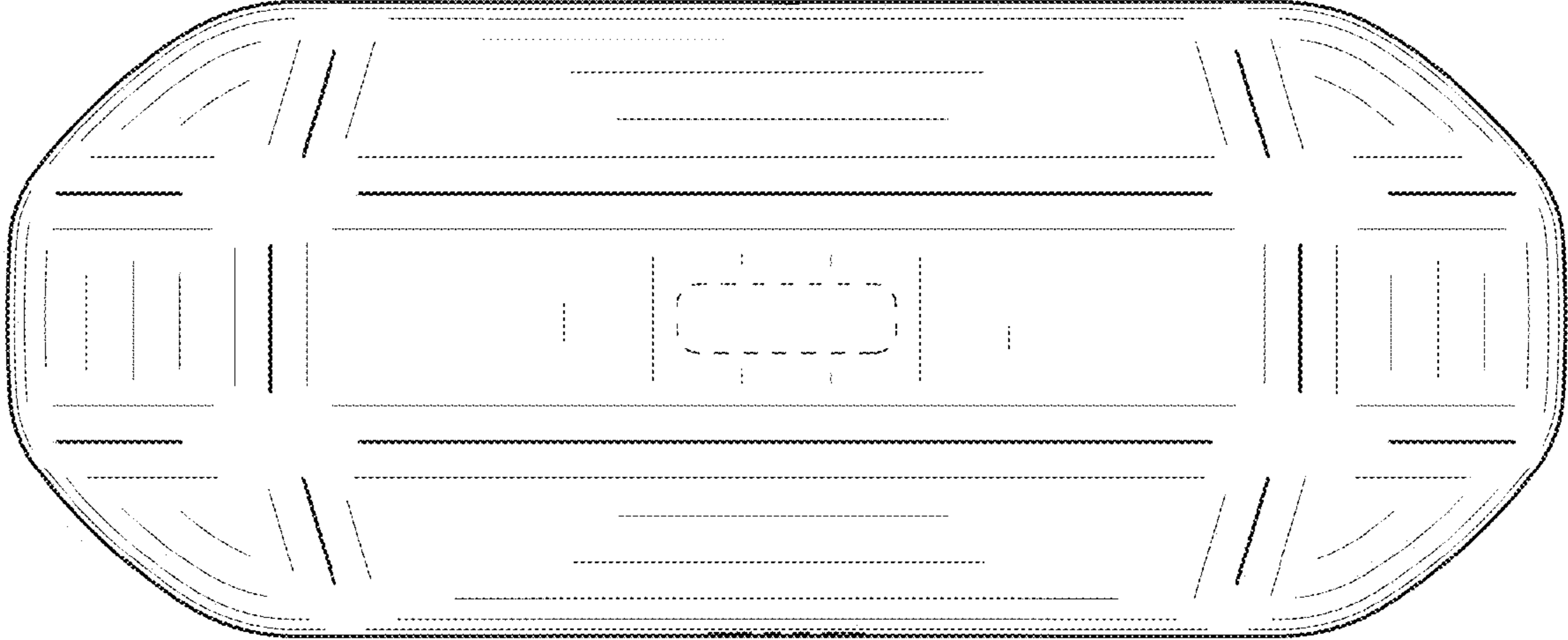


FIG. 6

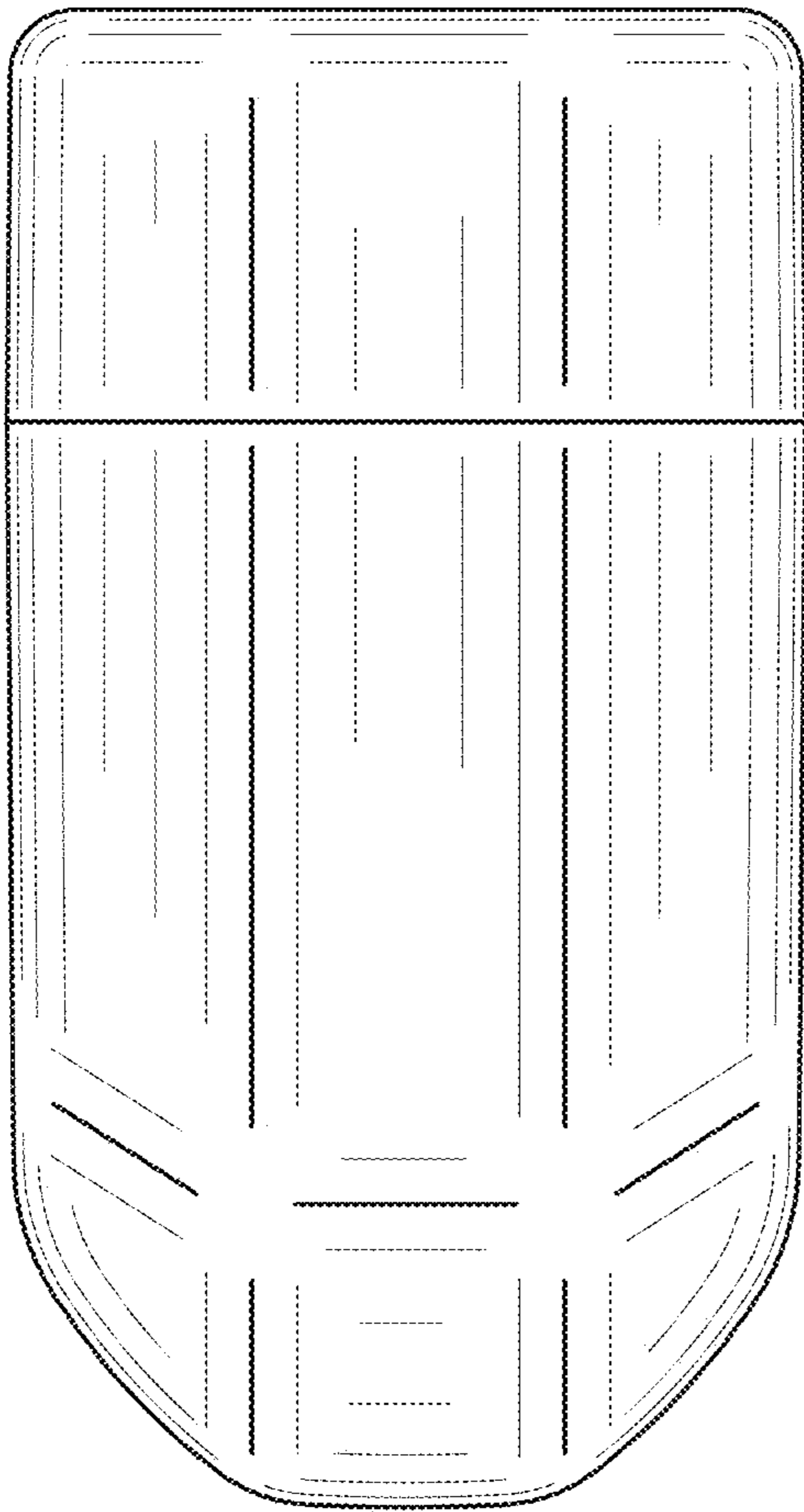


FIG. 7

