



US00D931209S

(12) **United States Design Patent**  
**Hahn et al.**

(10) **Patent No.:** **US D931,209 S**  
(45) **Date of Patent:** **\*\* Sep. 21, 2021**

(54) **CHARGING STAND**

(71) Applicant: **Nomad Goods, Inc.**, Santa Barbara, CA (US)

(72) Inventors: **Brian Hahn**, Santa Barbara, CA (US); **Tane Martin**, Santa Barbara, CA (US); **Tanner Walker**, Santa Barbara, CA (US); **Nicholas Walden**, Santa Barbara, CA (US); **Becky Liu**, Santa Barbara, CA (US); **Peter Ducato**, Santa Barbara, CA (US); **Ryan Thomas**, Santa Barbara, CA (US); **Mulin Yang**, Goleta, CA (US)

(73) Assignee: **Nomad Goods, Inc.**, Santa Barbara, CA (US)

(\*\*) Term: **15 Years**

(21) Appl. No.: **29/731,609**

(22) Filed: **Apr. 16, 2020**

(51) **LOC (13) Cl.** ..... **13-02**

(52) **U.S. Cl.**  
USPC ..... **D13/108; D14/253**

(58) **Field of Classification Search**  
USPC ..... D13/103, 107, 108, 109, 110, 118, 119, D13/199; D14/251, 253, 432, 433, 434; D27/172, 183, 193, 194  
CPC ..... H01M 2220/00; H02J 50/00; H04M 1/06  
See application file for complete search history.

(56) **References Cited**

U.S. PATENT DOCUMENTS

D674,336 S *	1/2013	Suzuka	.....	D13/108
D688,235 S *	8/2013	Song	.....	D14/253
D760,214 S *	6/2016	Kemper	.....	D14/253
D772,812 S *	11/2016	Choe	.....	D13/108
D812,564 S *	3/2018	Feng	.....	D13/108

D845,896 S *	4/2019	Hu	.....	D13/108
D871,332 S *	12/2019	Liao	.....	D13/108
D880,418 S *	4/2020	Zhang	.....	D13/108

(Continued)

OTHER PUBLICATIONS

“Nomad Base Station”. Found online Jun. 2, 2021 at amazon.com. Reference dated Dec. 3, 2020. Retrieved from [https://www.amazon.com/Nomad-Station-Leather-Wireless-Charging/dp/B0848J8247?ref\\_ast\\_sto\\_dp](https://www.amazon.com/Nomad-Station-Leather-Wireless-Charging/dp/B0848J8247?ref_ast_sto_dp). (Year: 2020).\*

(Continued)

*Primary Examiner* — George D. Kirschbaum

*Assistant Examiner* — Amanda Christensen

(74) *Attorney, Agent, or Firm* — SoCal IP Law Group LLP; Nikki Dossman; Steven Sereboff

(57) **CLAIM**

The ornamental design for a charging stand, as shown and described.

**DESCRIPTION**

A portion of the disclosure of this patent document contains material which is subject to copyright protection. This patent document may show and/or describe matter which is or may become trade dress of the owner. The copyright and trade dress owner has no objection to the facsimile reproduction by anyone of the patent disclosure as it appears in the Patent and Trademark Office patent files or records, but otherwise reserves all copyright and trade dress rights whatsoever.

FIG. 1 is a top perspective view of a charging stand;

FIG. 2 is a bottom perspective view thereof;

FIG. 3 is a left-side view thereof;

FIG. 4 is a right-side view thereof;

FIG. 5 is a front view thereof;

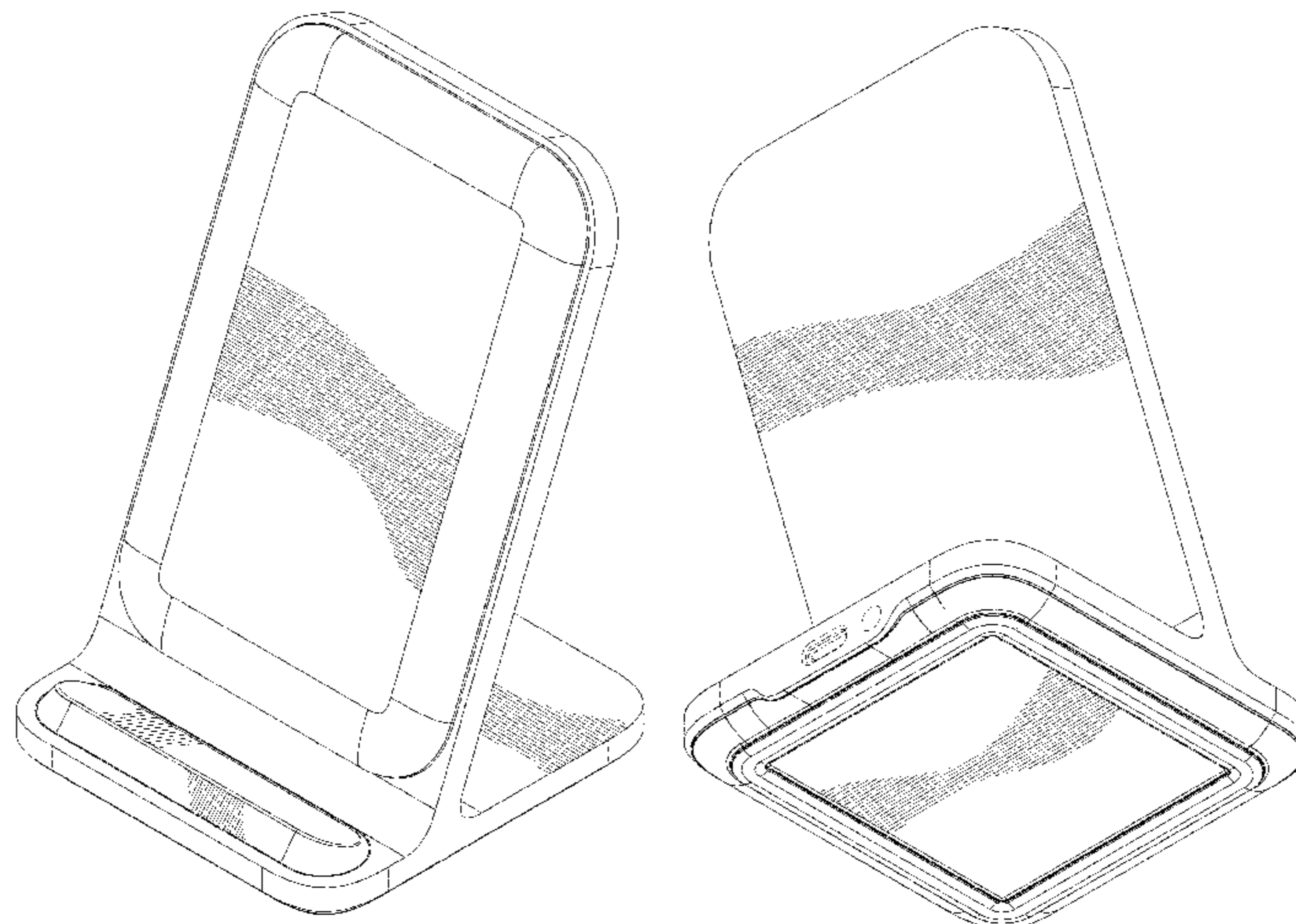
FIG. 6 is a back view thereof;

FIG. 7 is a top view thereof; and,

FIG. 8 is a bottom view thereof.

The broken lines shown represent unclaimed subject matter and form no part of the claimed design.

**1 Claim, 7 Drawing Sheets**



(56)

**References Cited**

U.S. PATENT DOCUMENTS

D896,174 S \* 9/2020 Li ..... D13/108  
D915,276 S \* 4/2021 Peng ..... D13/108  
2016/0195898 A1\* 7/2016 Lau ..... H04M 1/04  
361/679.41  
2017/0153667 A1\* 6/2017 Suckle ..... G06F 1/1632  
2020/0052506 A1\* 2/2020 Green ..... H02J 7/0027

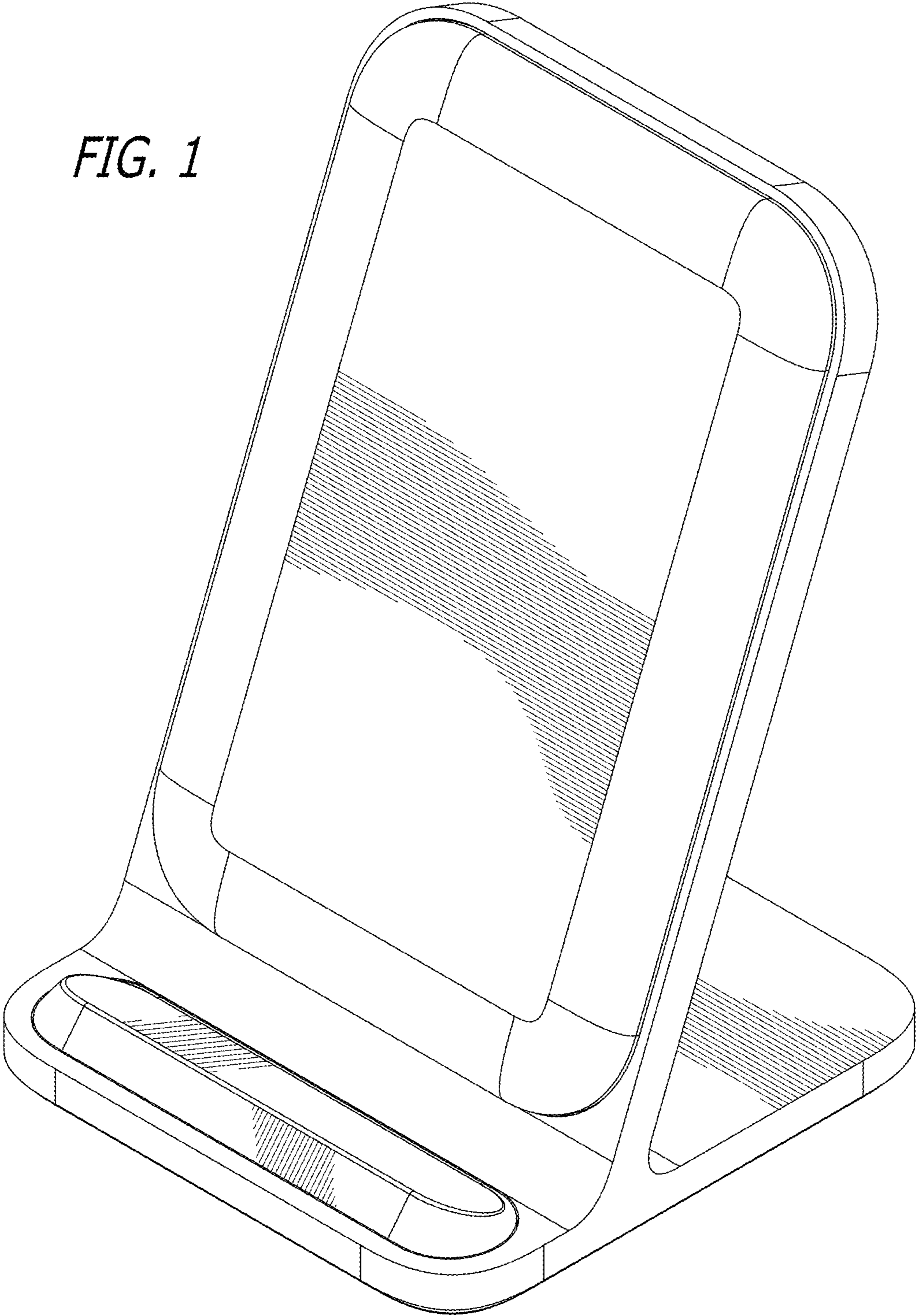
OTHER PUBLICATIONS

“Samsung Fast Charge Wireless Charger Stand”. Found online Feb. 10, 2021 at amazon.com. Reference dated Aug. 8, 2019. Retrieved from <https://www.amazon.com/Samsung-Charge-Wireless-Charger-Stand/dp/B07VG9JMG1>. (Year: 2019).\*

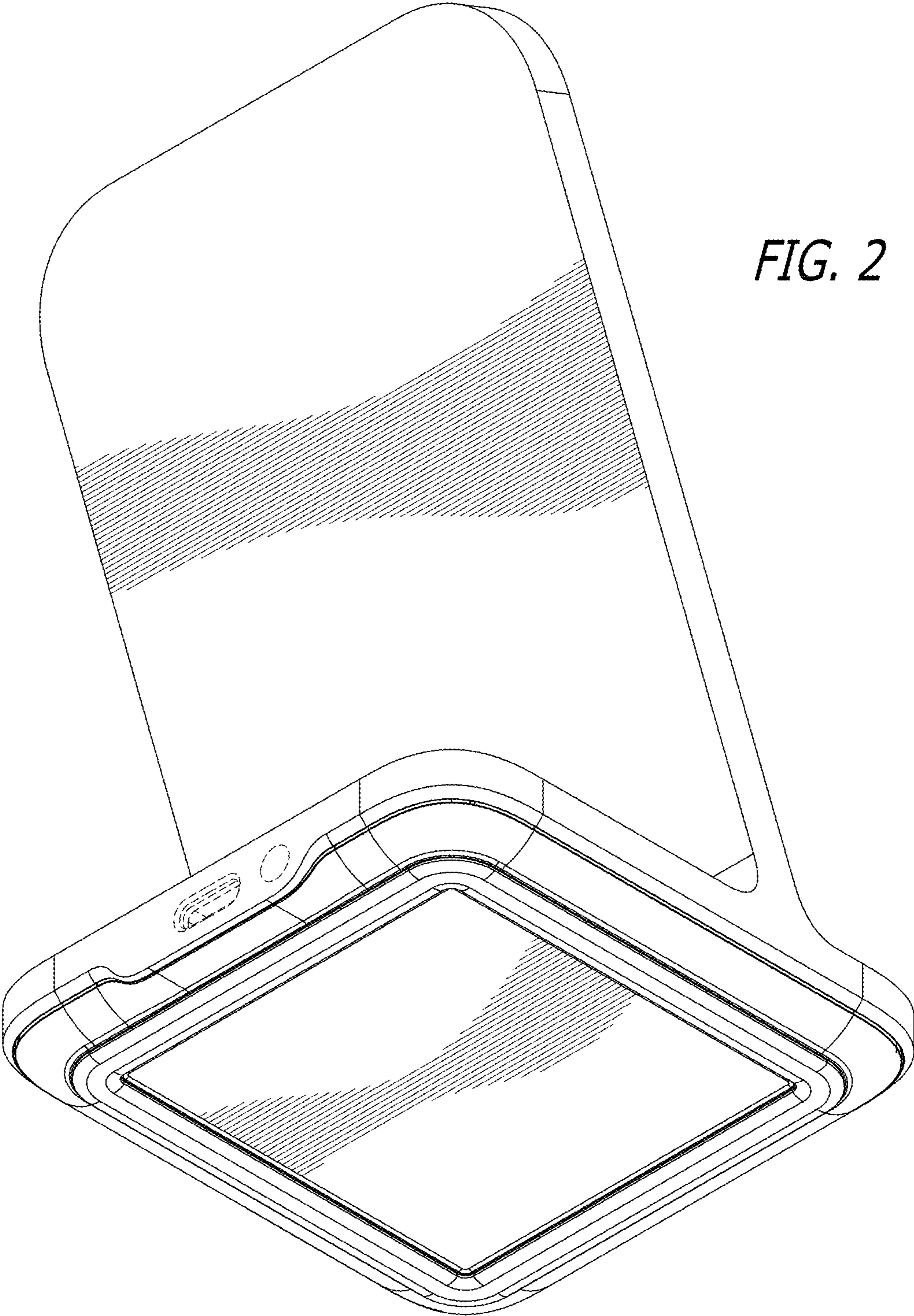
“Anker Wireless Charging Station”. Found online Jun. 2, 2021 at amazon.com. Reference dated May 6, 2019. Retrieved from [https://www.amazon.com/dp/B07RHSBYWC/ref=sspa\\_dk\\_detail\\_0](https://www.amazon.com/dp/B07RHSBYWC/ref=sspa_dk_detail_0). (Year: 2019).\*

\* cited by examiner

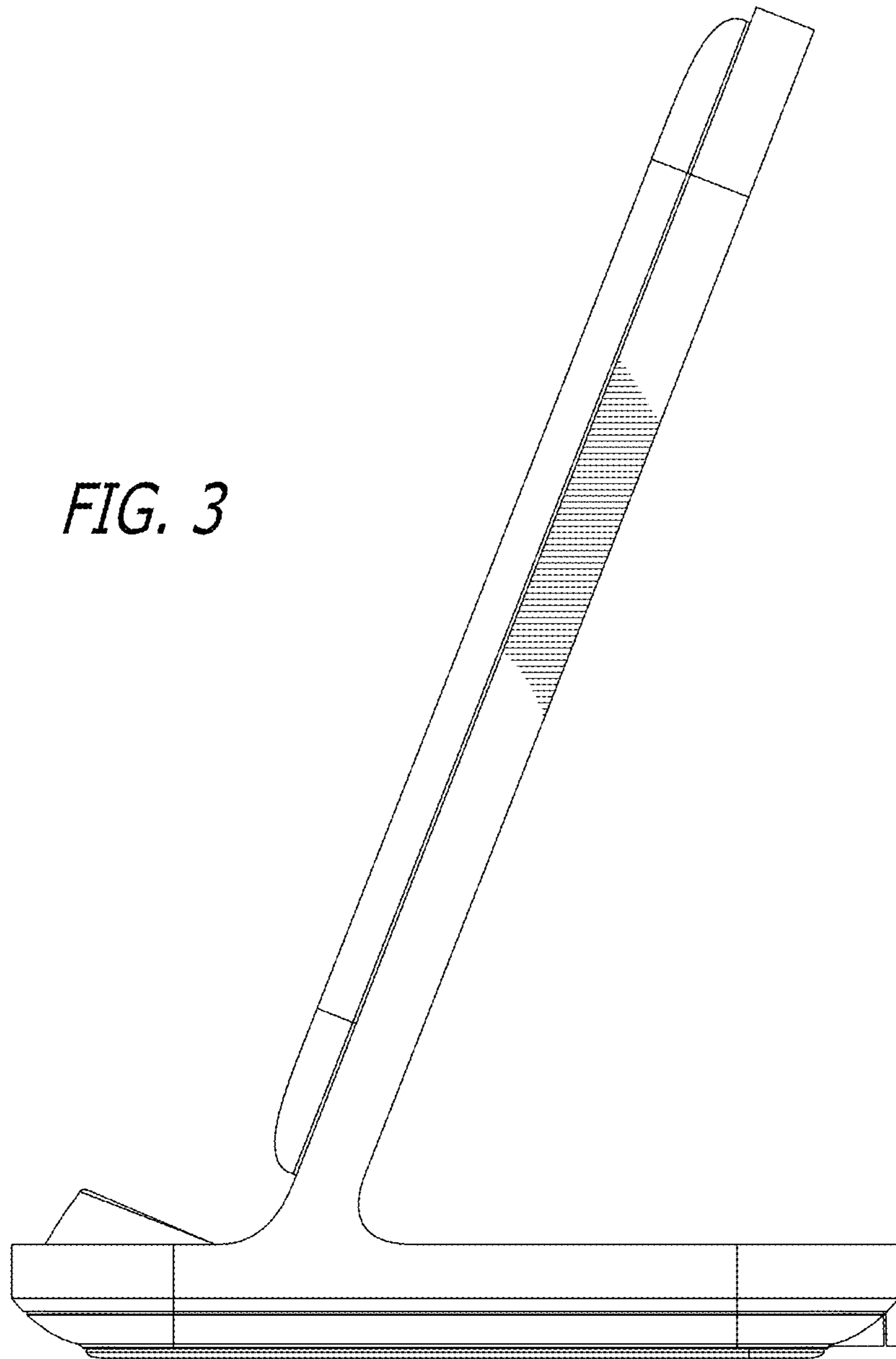
*FIG. 1*







*FIG. 2*



*FIG. 3*

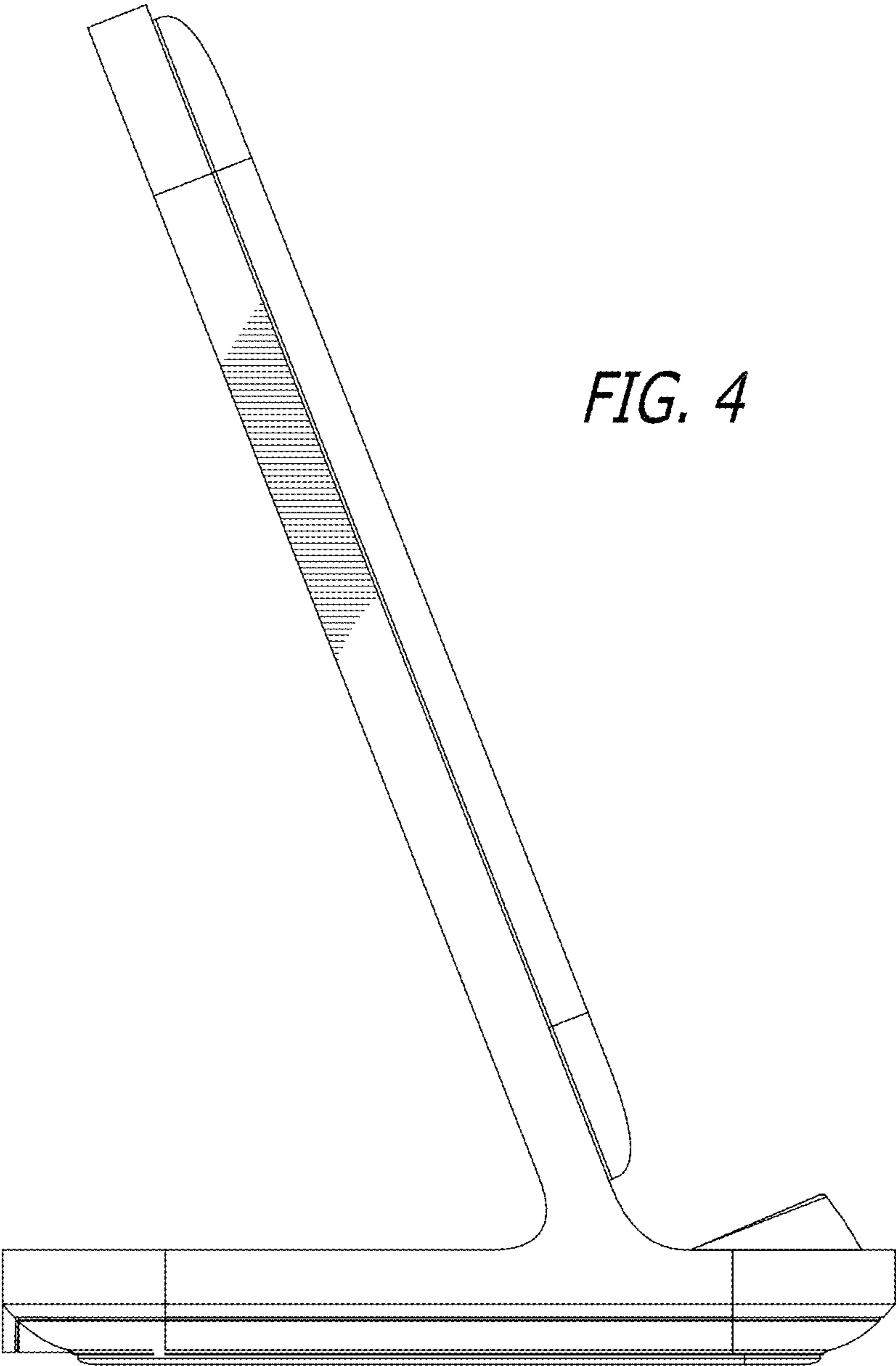
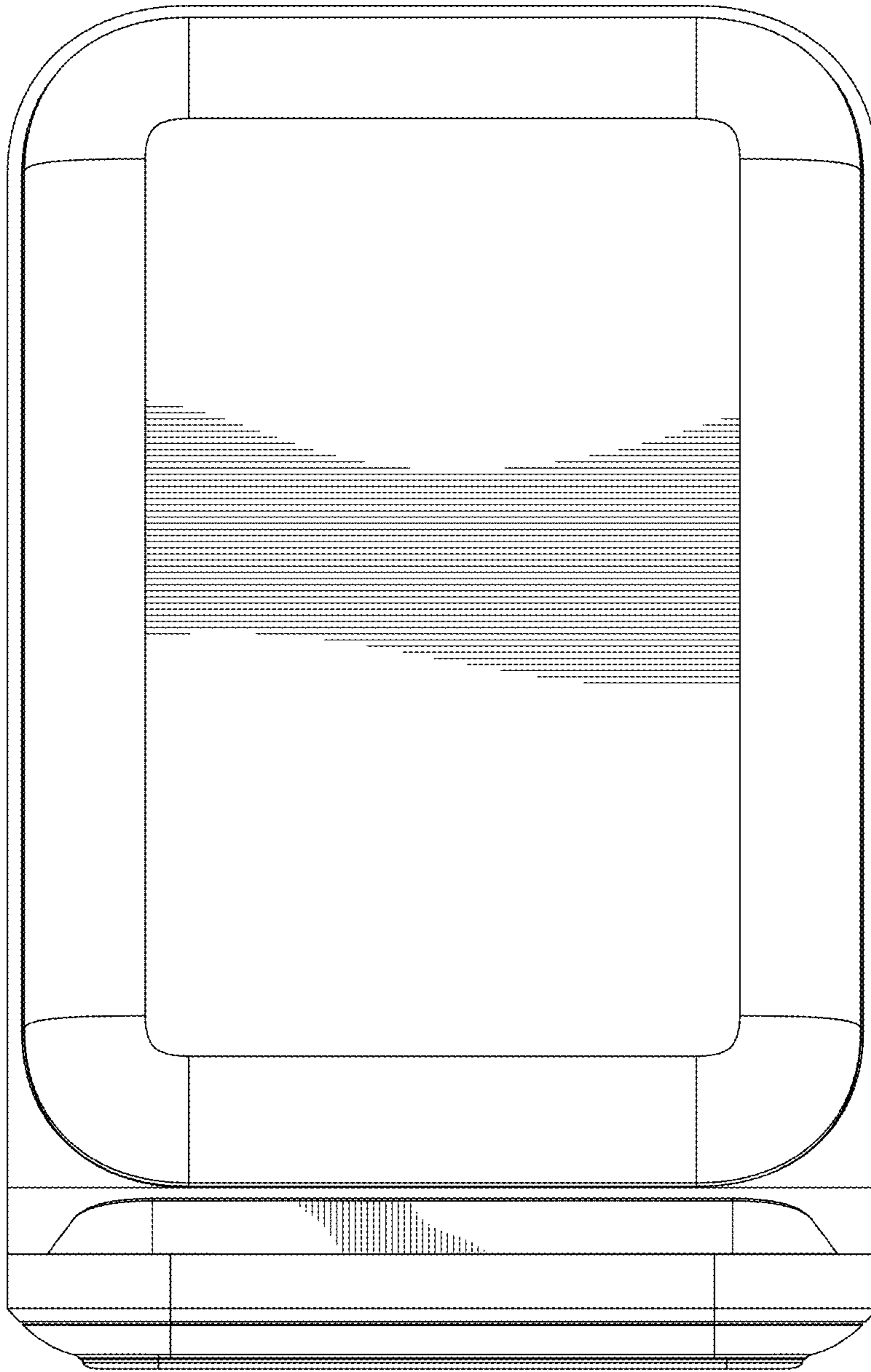
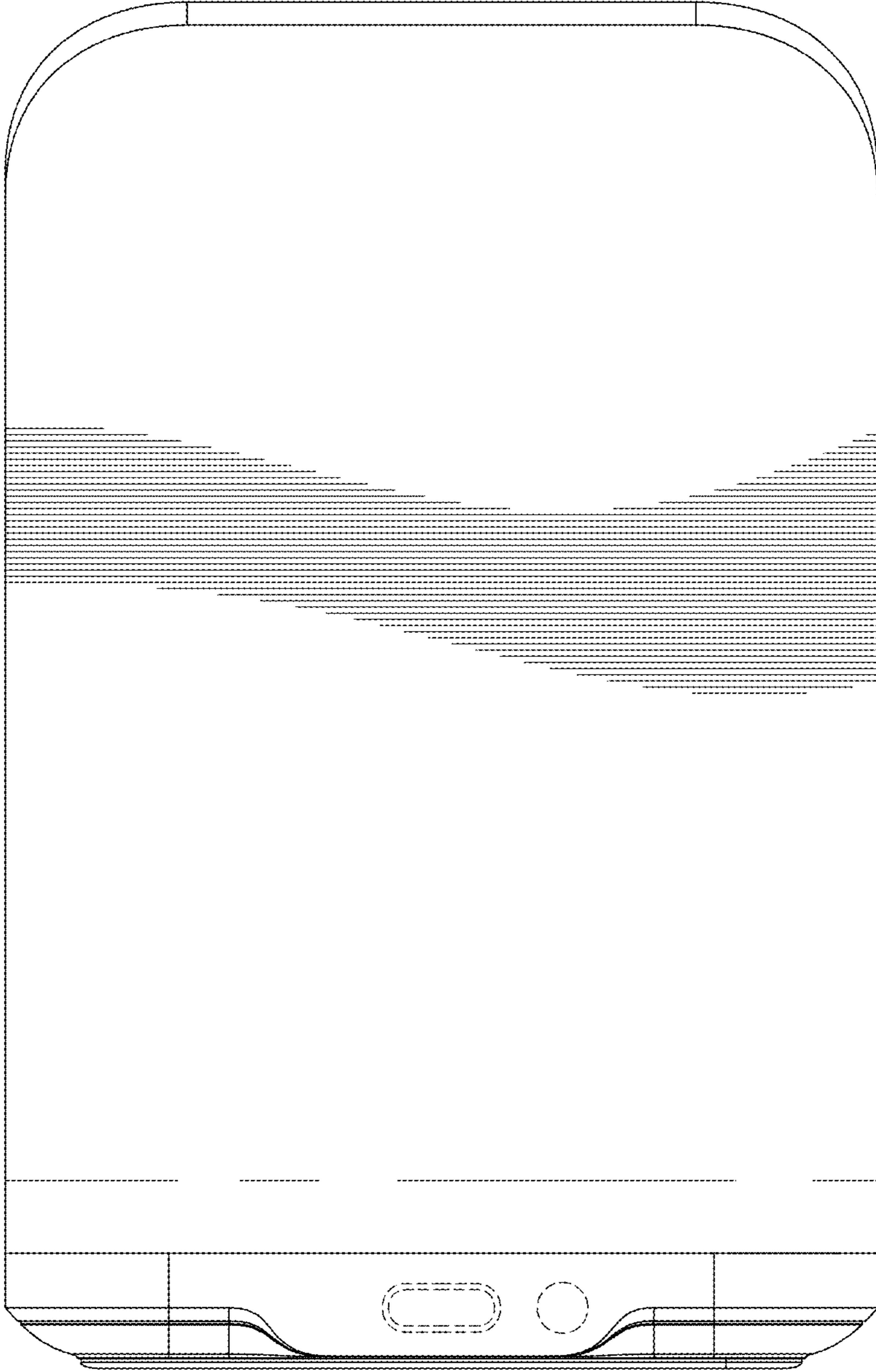


FIG. 4

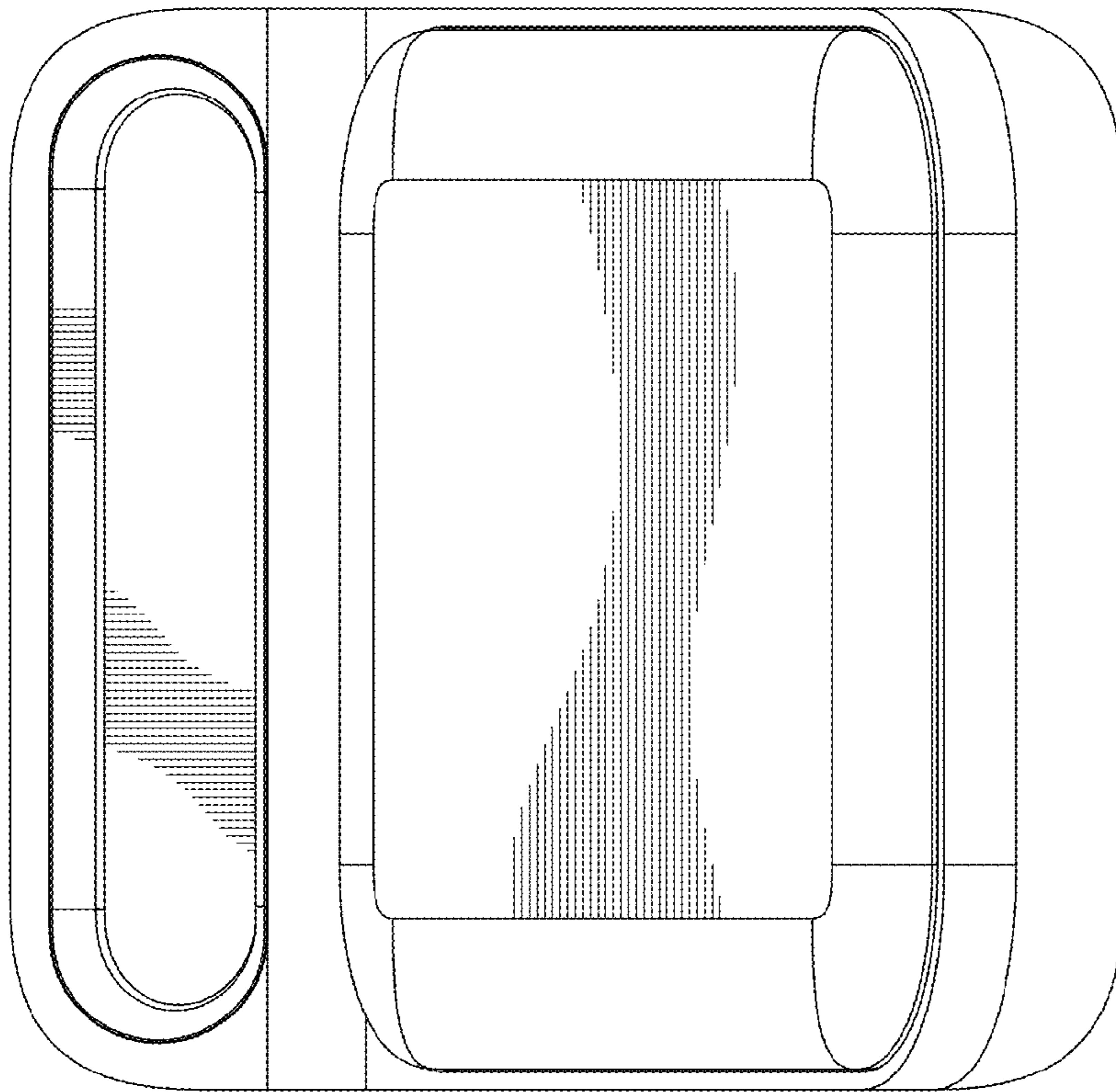


*FIG. 5*

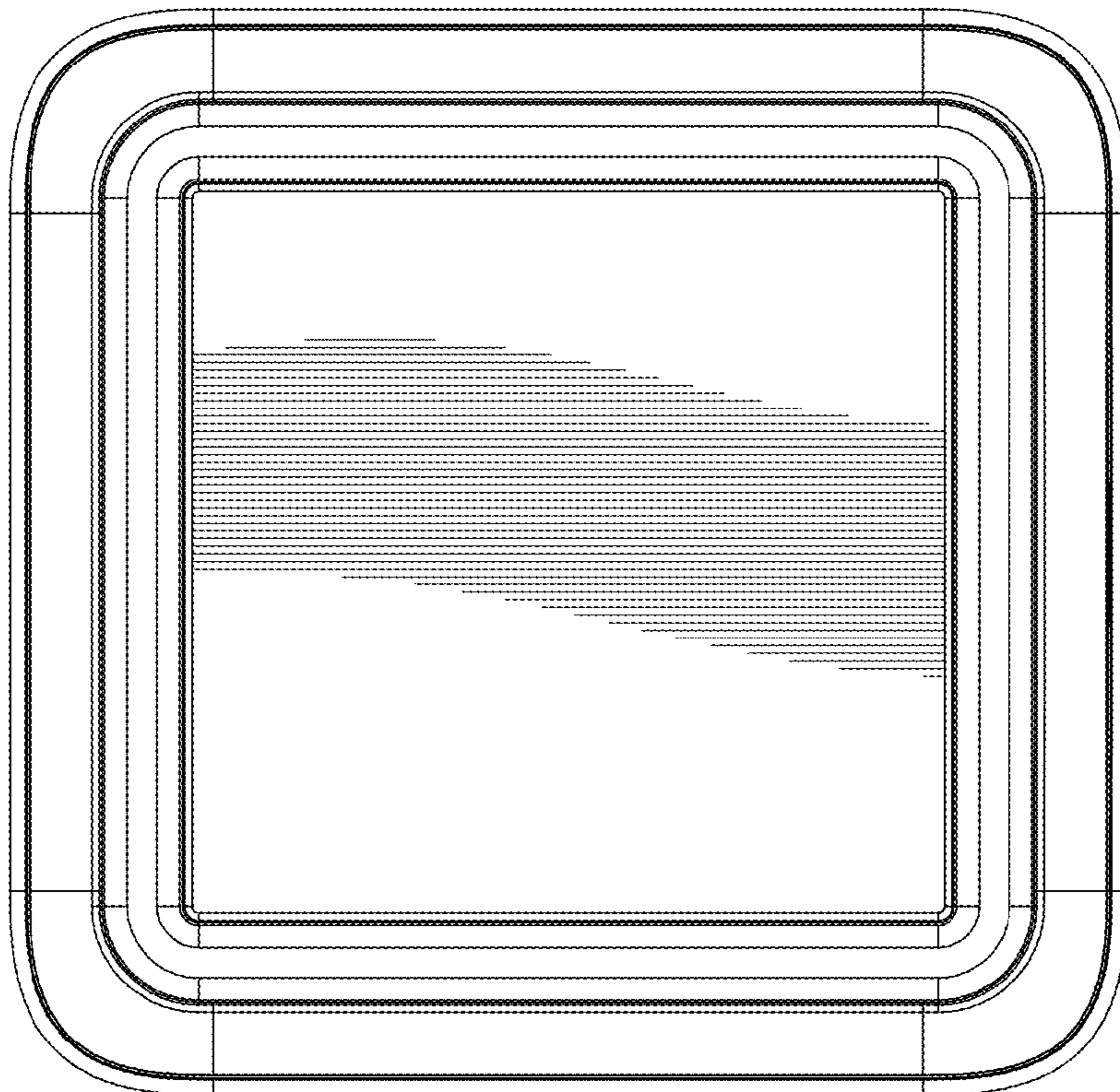


*FIG. 6*





*FIG. 7*



*FIG. 8*