



US00D931208S

(12) **United States Design Patent** (10) **Patent No.:** **US D931,208 S**
Liao (45) **Date of Patent:** **** *Sep. 21, 2021**

(54) **WIRELESS CHARGING STAND**

(71) Applicant: **Guangdong Gopod Group Co., Ltd.,**
Guangdong (CN)

(72) Inventor: **Zhuowen Liao**, Guangdong (CN)

(*) Notice: This patent is subject to a terminal disclaimer.

(**) Term: **15 Years**

(21) Appl. No.: **29/718,441**

(22) Filed: **Dec. 24, 2019**

(30) **Foreign Application Priority Data**

Oct. 30, 2019 (CN) 201930595417.0

(51) **LOC (13) Cl.** **13-02**

(52) **U.S. Cl.**
USPC **D13/108; D14/252**

(58) **Field of Classification Search**
USPC D13/101, 103, 107, 108, 118, 119;
D6/682, 682.1; D14/251, 252, 253, 432,
D14/434, 447
CPC H04B 1/3877; H04B 1/3883; H04M 1/06;
G04G 19/02
See application file for complete search history.

(56) **References Cited**

U.S. PATENT DOCUMENTS

D554,107 S * 10/2007 Calco D14/217
D825,575 S * 8/2018 Gao D14/447
D870,041 S * 12/2019 Choi D13/108
D874,452 S * 2/2020 Chen D14/252
D875,679 S * 2/2020 Yi D13/108
D884,621 S * 5/2020 Feng D13/108
D892,046 S * 8/2020 Peng D13/108
D896,174 S * 9/2020 Li D13/108
D906,345 S * 12/2020 Chen D14/447

2015/0180524 A1* 6/2015 Lambert G06F 1/1632
455/575.1
2016/0195898 A1* 7/2016 Lau H04M 1/04
361/679.41
2016/0261139 A1* 9/2016 Kidakarn H02J 50/10
2020/0052506 A1* 2/2020 Green H02J 7/0027

OTHER PUBLICATIONS

“Powlaken Wireless Charger”. Found online Feb. 10, 2021 at amazon.com. Reference dated Oct. 10, 2019. Retrieved from https://www.amazon.com/dp/B07YY3SDHM/ref=sspa_dk_detail_3 (Year: 2019).*

(Continued)

Primary Examiner — Kendra Leslie Hamilton
Assistant Examiner — Amanda Christensen

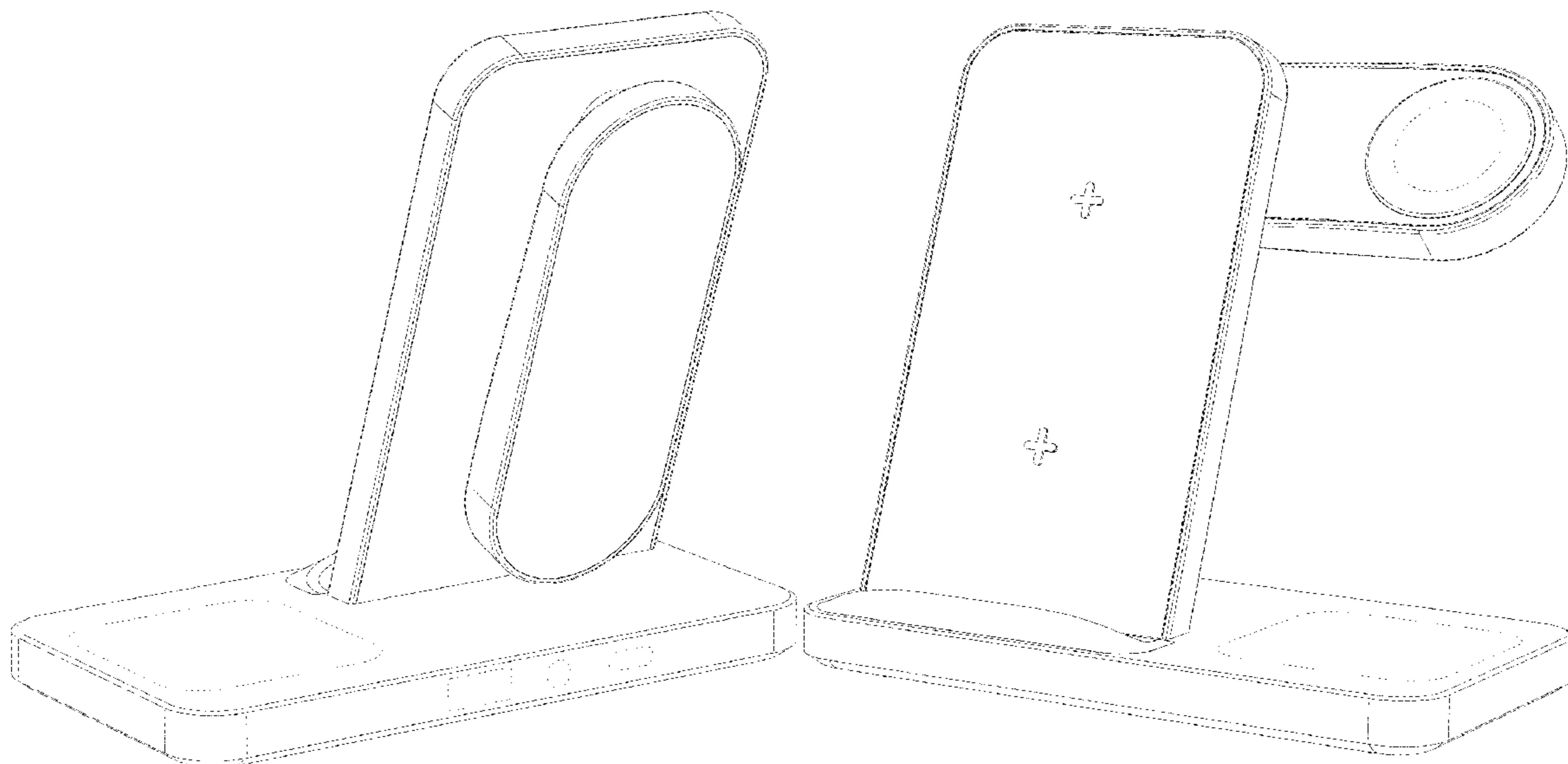
(57) **CLAIM**

The ornamental design for a wireless charging stand, as shown and described.

DESCRIPTION

FIG. 1 is a top, front, right side perspective view of a wireless charging stand, showing my new design in a first configuration;
FIG. 2 is a top, rear, right side perspective view thereof;
FIG. 3 is a front elevation view thereof;
FIG. 4 is a left side elevation view thereof;
FIG. 5 is a rear elevation view thereof;
FIG. 6 is a right side elevation view thereof;
FIG. 7 is a top plan view thereof;
FIG. 8 is a bottom plan view thereof; and,
FIG. 9 is a top, front, right side perspective view of the wireless charging stand of FIG. 1, shown in a second configuration.
The broken lines in the drawings depict portions of the wireless charging stand that form no part of the claimed design.

1 Claim, 9 Drawing Sheets



(56)

References Cited

OTHER PUBLICATIONS

“Hoidokly Dual Wireless Charger”. Found online Feb. 10, 2021 at amazon.co.uk. Reference dated May 15, 2019. Retrieved from https://www.amazon.co.uk/dp/B07S6ZDDQF/ref=sspa_dk_detail_5. (Year: 2019).*

“Belkin Charge Dock”. Found online Feb. 10, 2021 at amazon.com. Reference dated Oct. 15, 2018. Retrieved from https://www.amazon.com/Belkin-Powerhouse-Charge-iPhone-Charging/dp/B07HMBQL58/ref=psdc_2407761011_t3_B081J53ZRQ. (Year: 2018).*

* cited by examiner

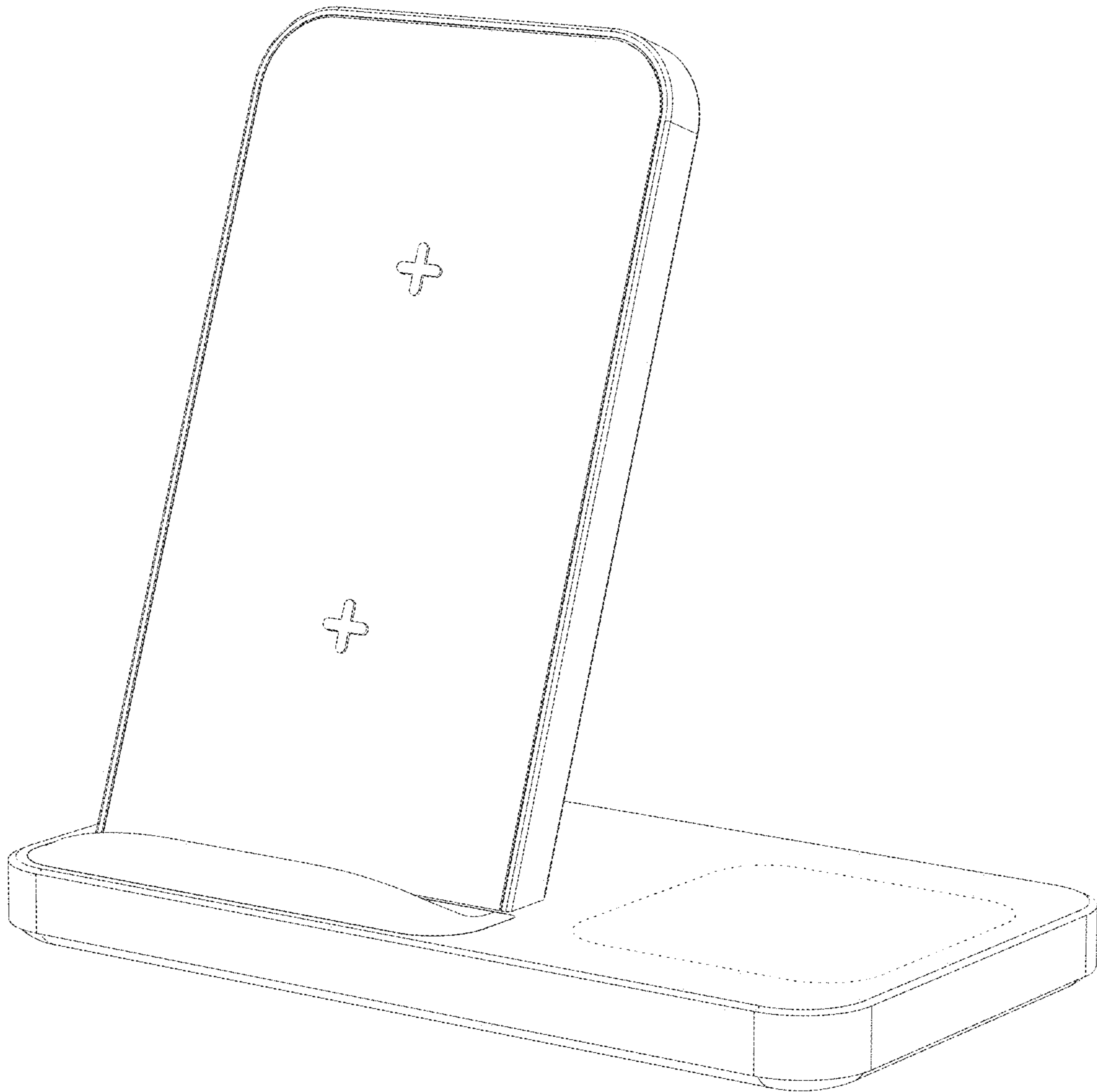


Fig. 1

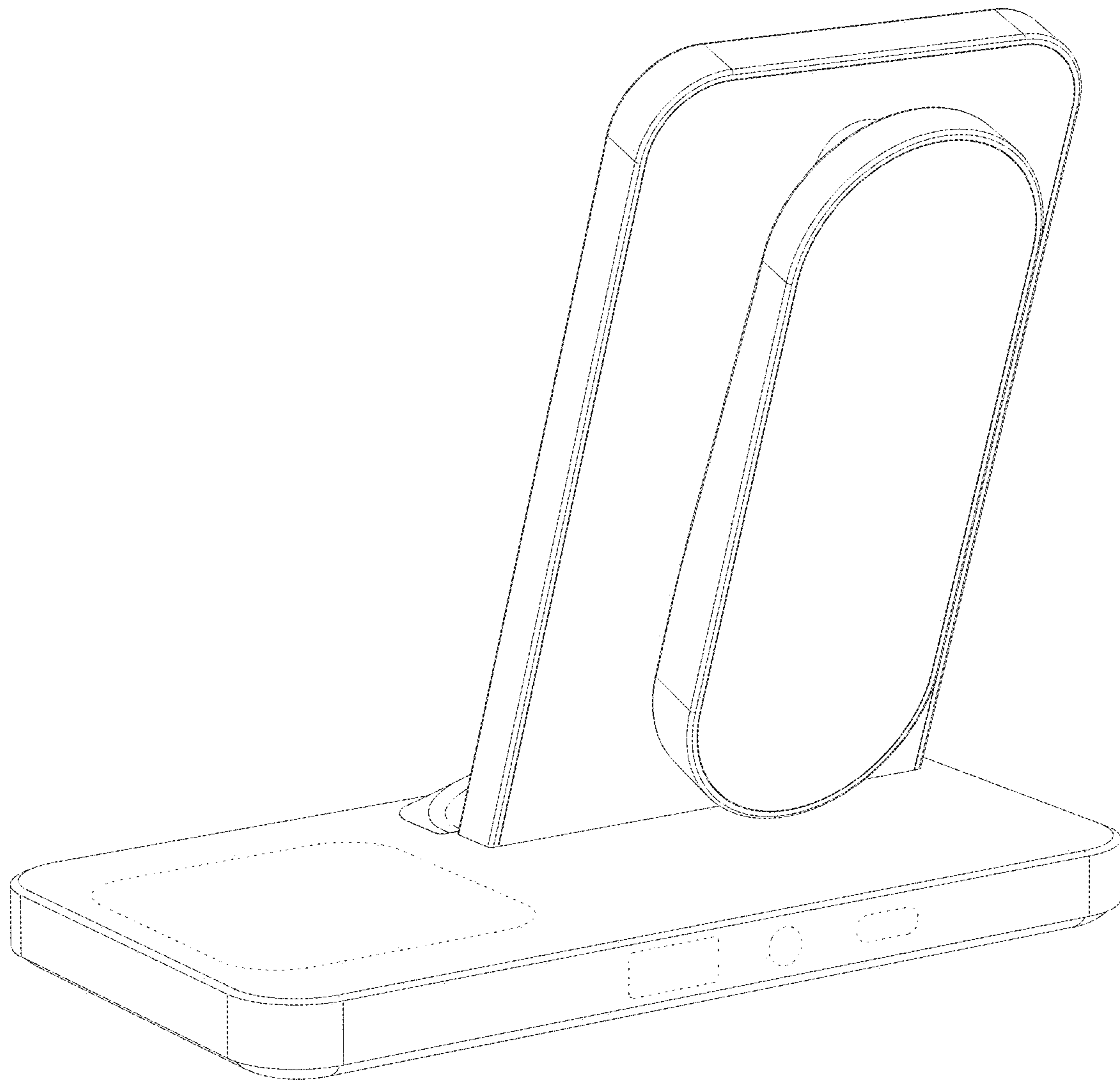


Fig.2

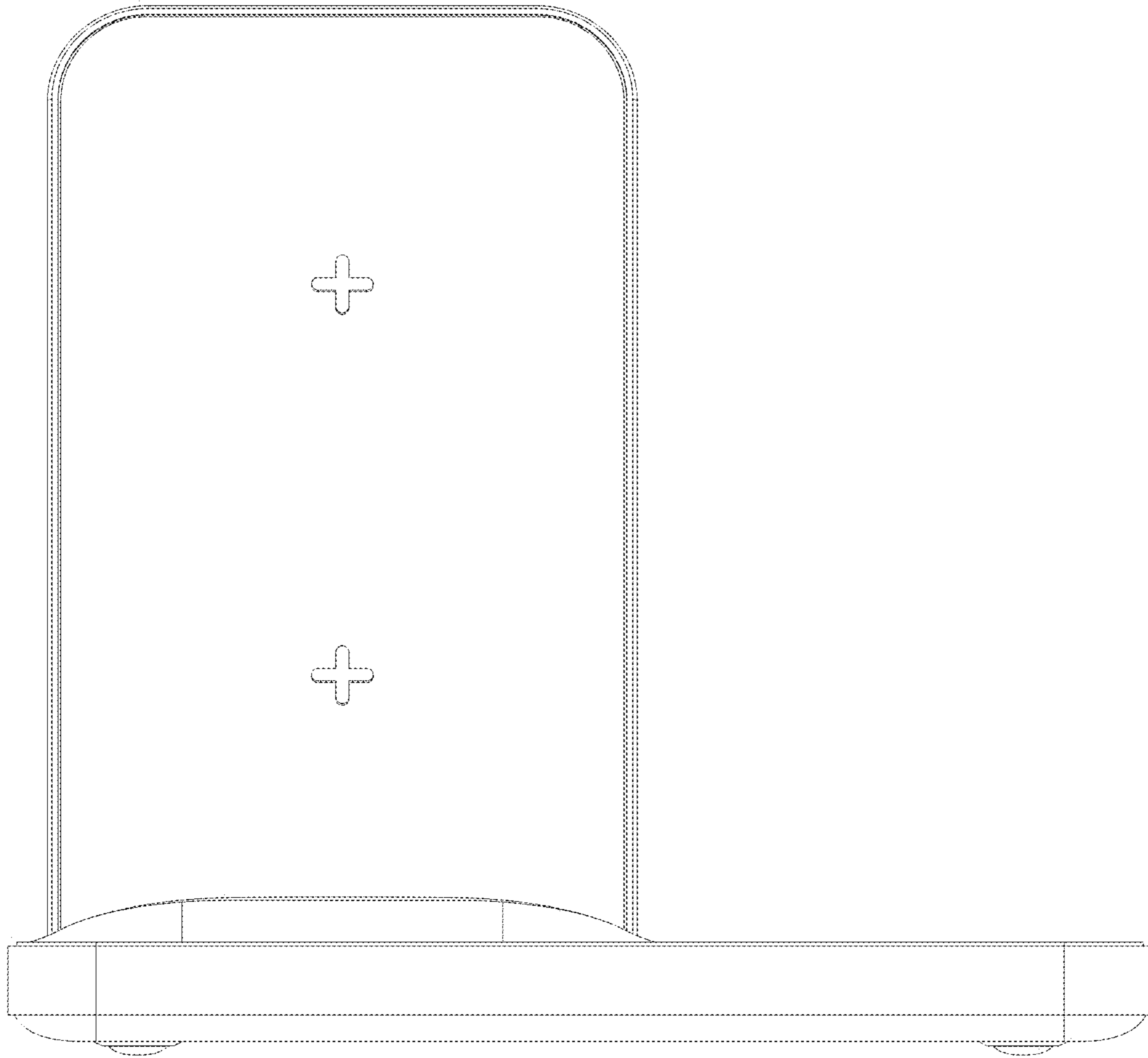


Fig. 3

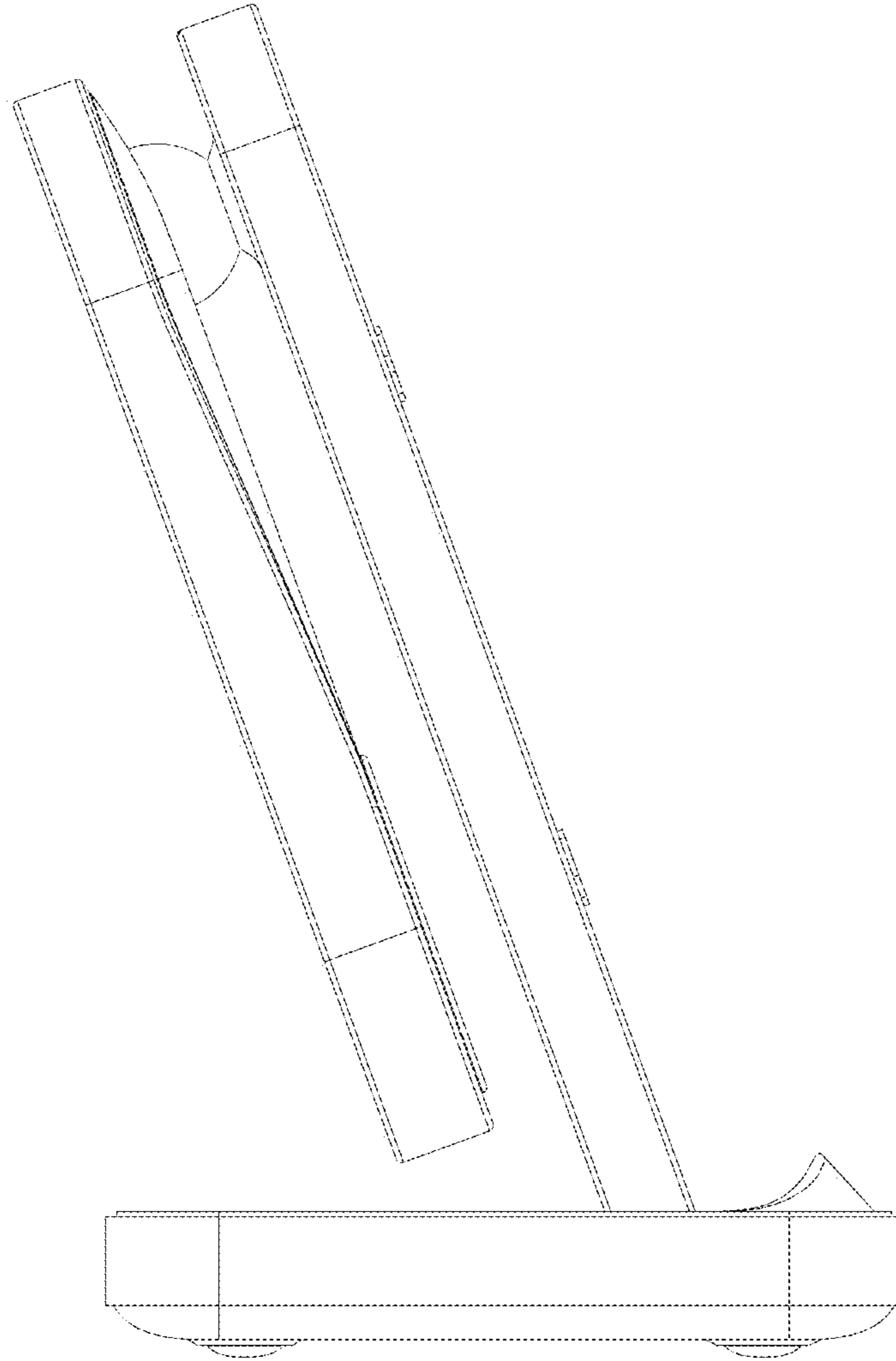


Fig. 4

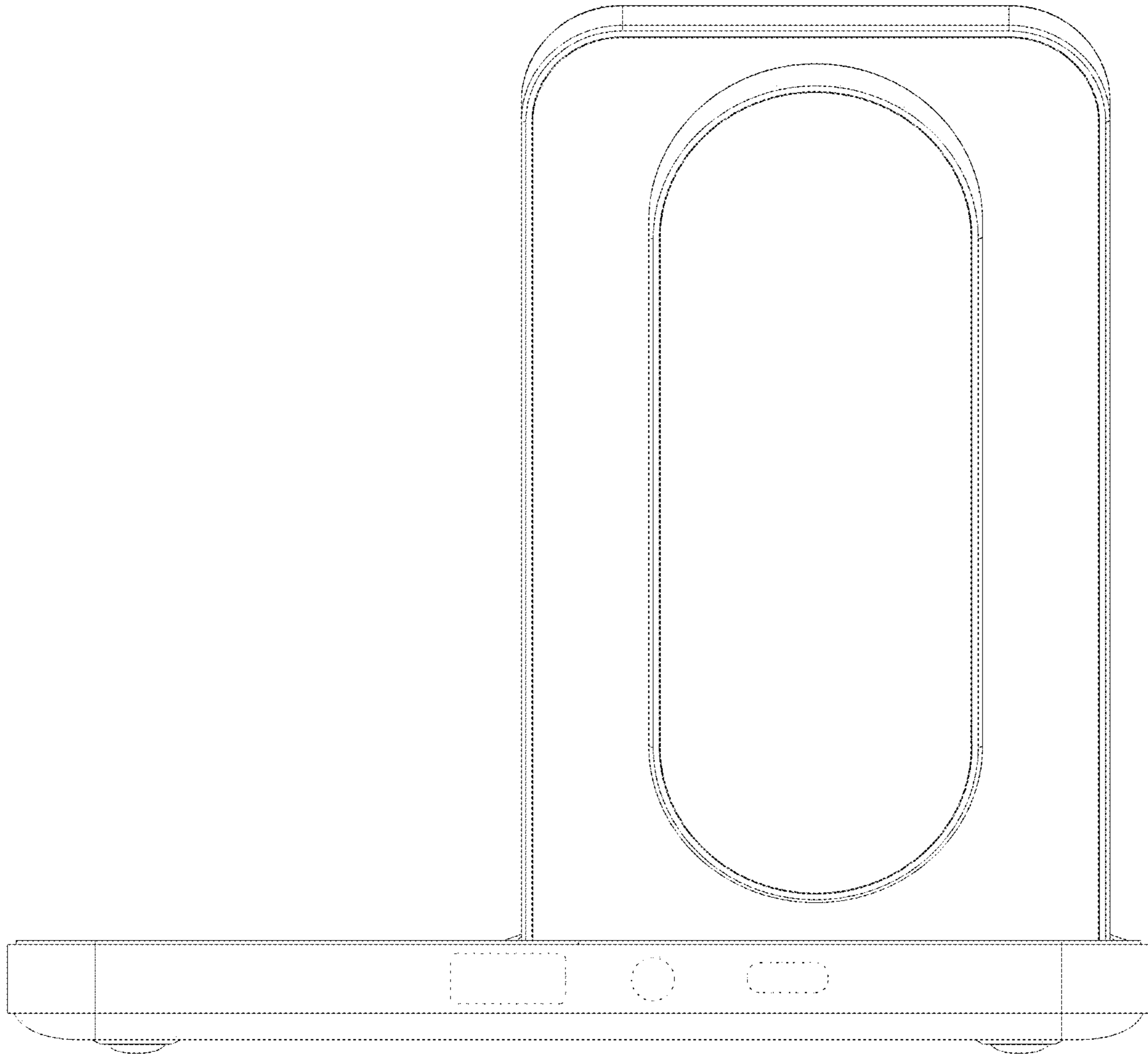


Fig. 5

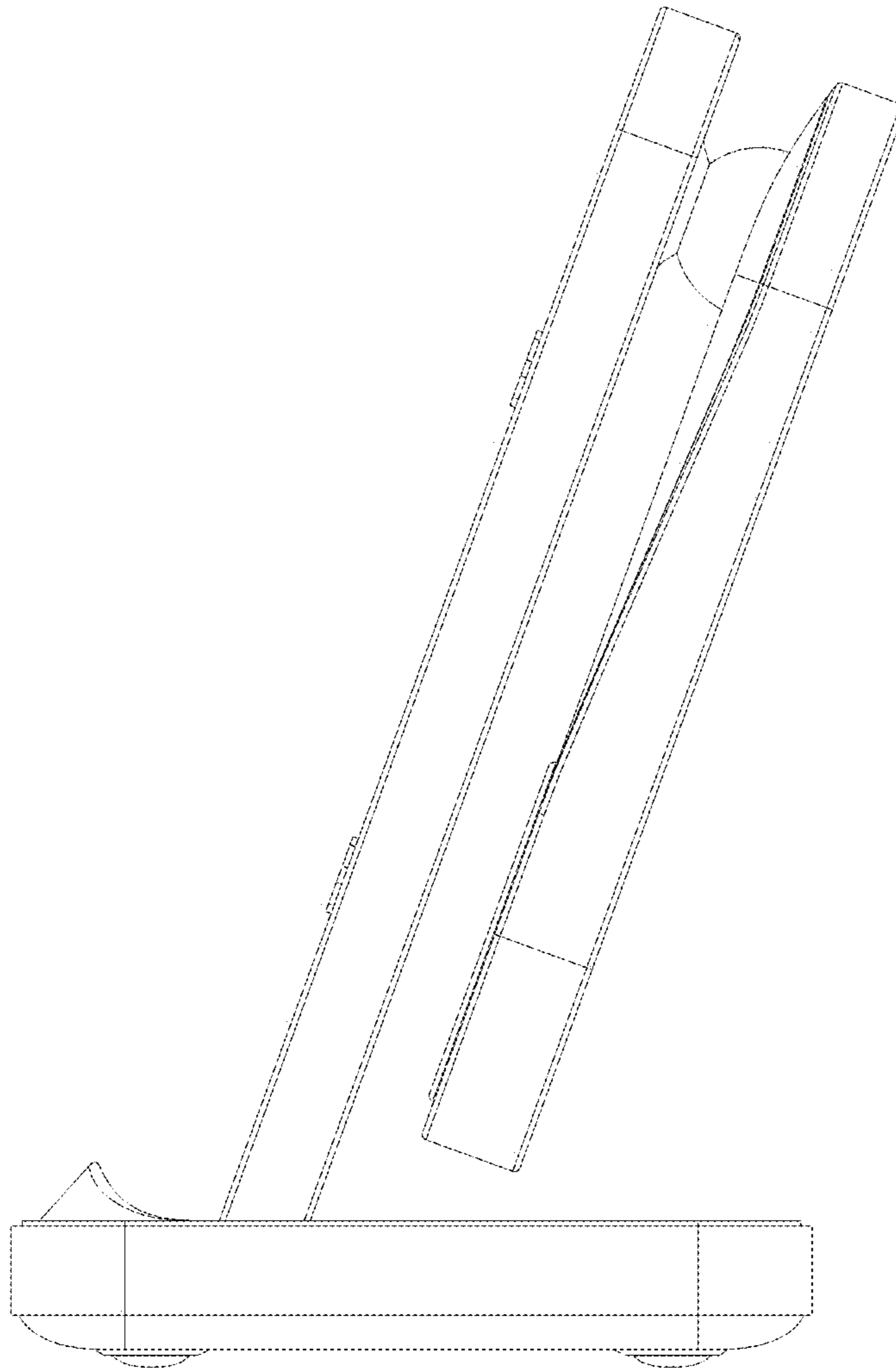


Fig. 6

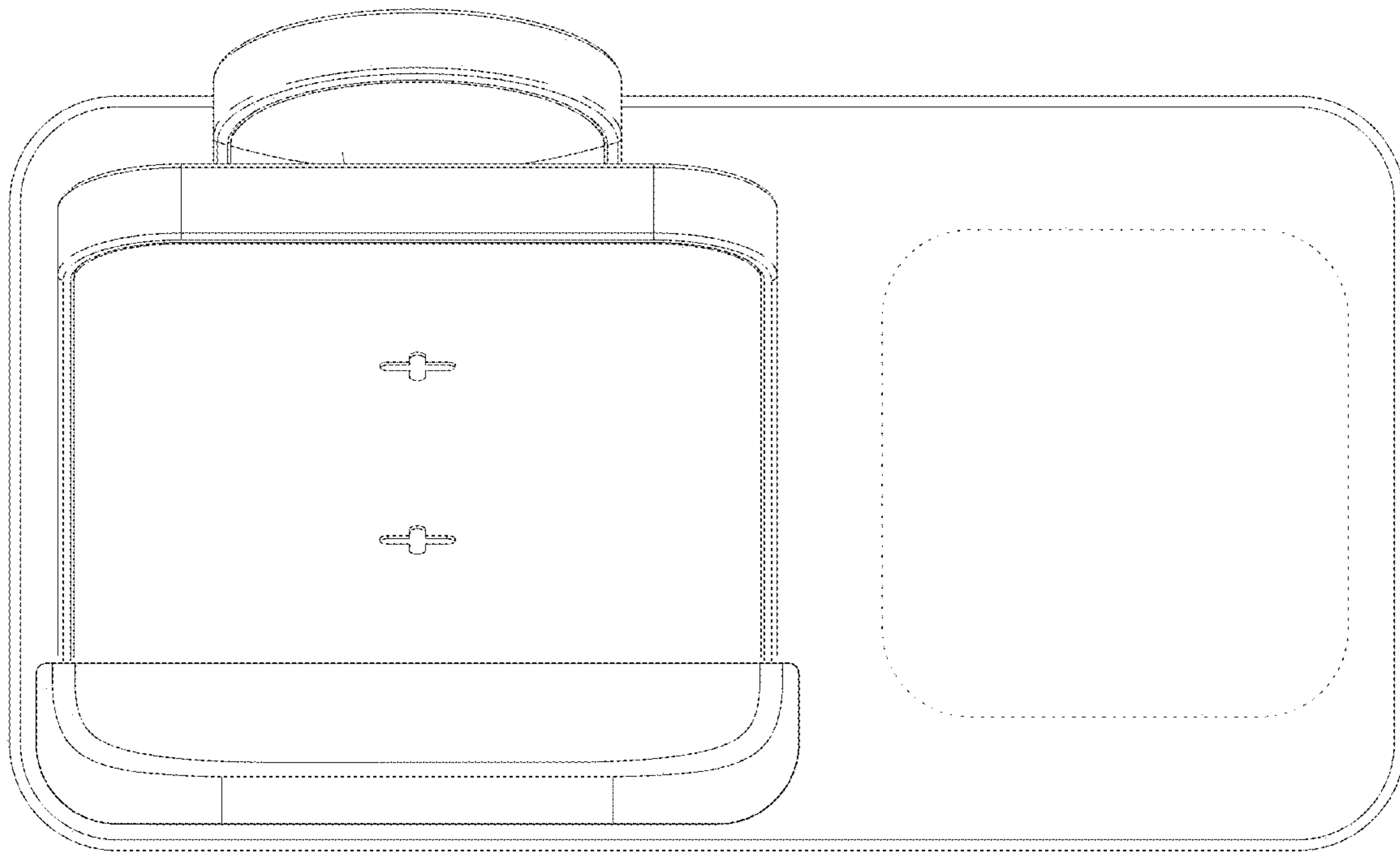


Fig. 7

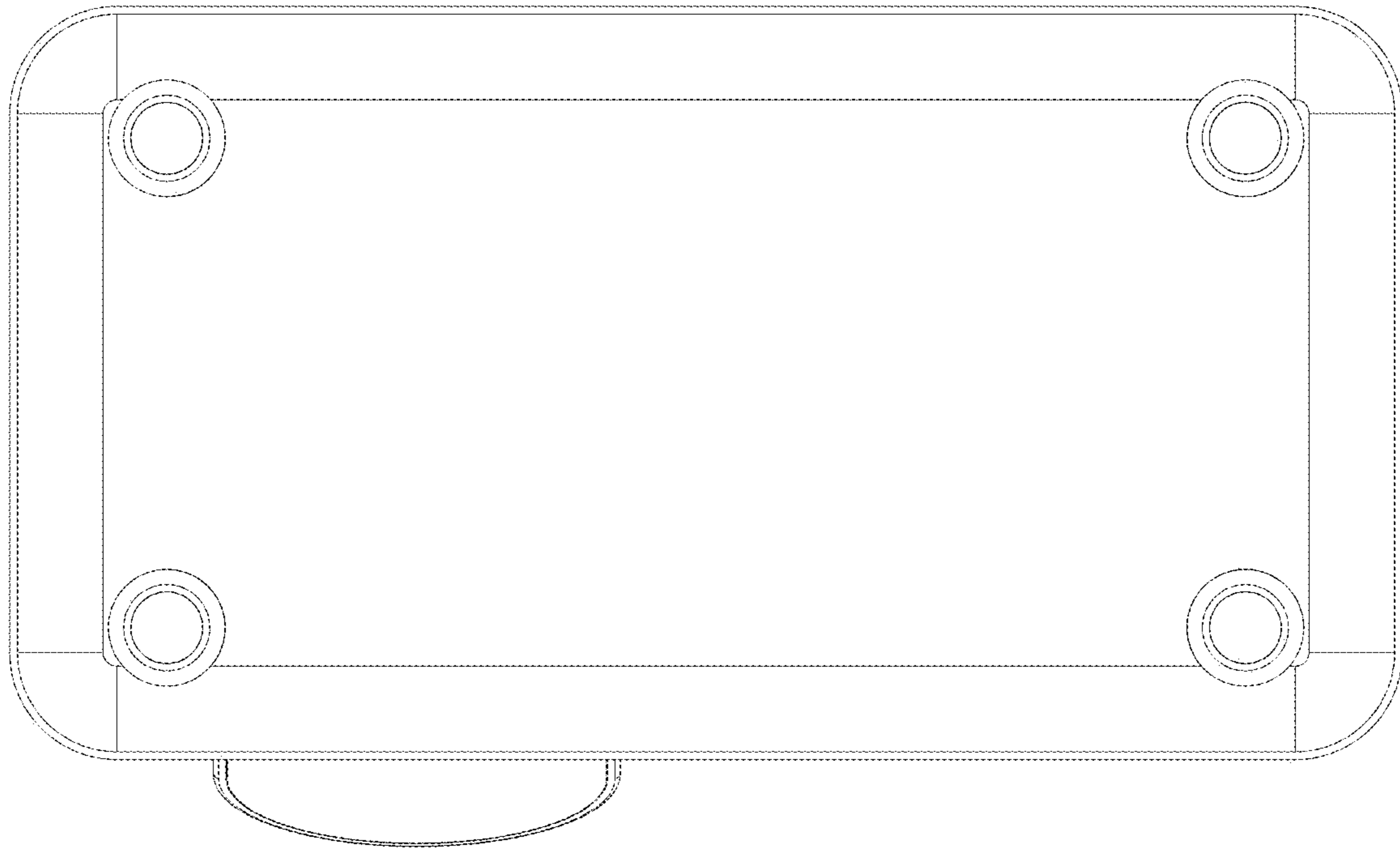


Fig. 8

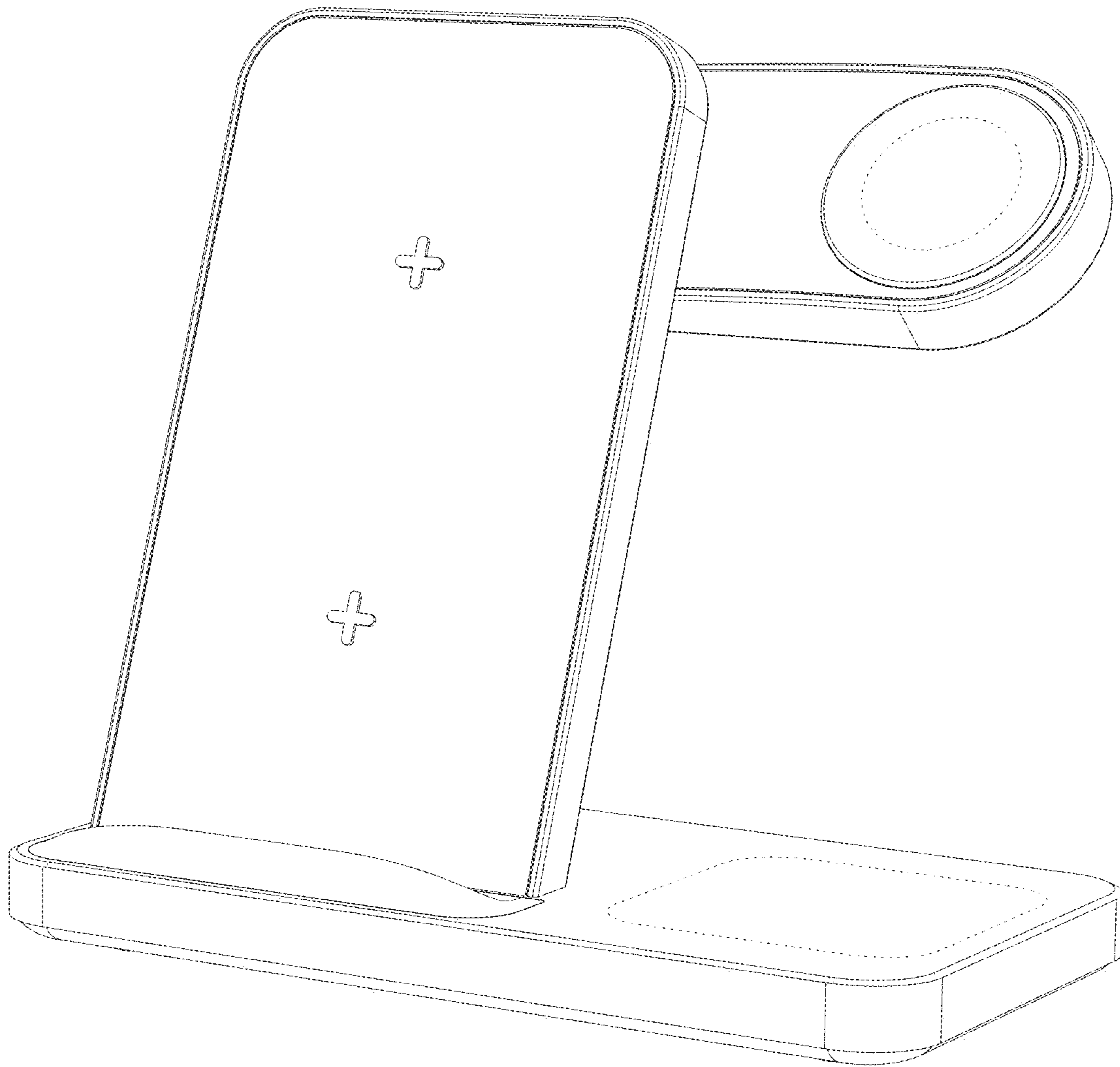


Fig.9