



US00D931206S

(12) **United States Design Patent**
Briggs et al.

(10) **Patent No.:** **US D931,206 S**

(45) **Date of Patent:** **** Sep. 21, 2021**

(54) **EARPIECE CHARGING CASE WITH WINDOW**

(71) Applicant: **New Audio LLC**, New York, NY (US)

(72) Inventors: **Drew Stone Briggs**, Seattle, WA (US);
Nicholas Slaney, Jersey City, NJ (US);
Thomas C. Wilson, Brooklyn, NY (US);
Marten Wallby, Malmo (SE);
Jonathan E. Levine, New York, NY (US)

(73) Assignee: **New Audio, LLC**, New York, NY (US)

(**) Term: **15 Years**

(21) Appl. No.: **29/681,917**

(22) Filed: **Feb. 28, 2019**

(51) **LOC (13) Cl.** **13-02**

(52) **U.S. Cl.**
USPC **D13/108; D3/294**

(58) **Field of Classification Search**
USPC D13/103, 107-110, 118-119, 184, 199;
D3/201, 205, 208, 218, 273, 274, 294
CPC .. H02J 50/00; H02J 50/10; H02J 50/12; H02J
50/80; H02J 50/40; H02J 50/402; H02J
50/50; H02J 7/025; H02J 7/005; H02J
7/0044; H02J 7/0013; H02J 7/0003;
A45C 2011/001; A45C 2011/002; A45C
2011/003

See application file for complete search history.

(56) **References Cited**

U.S. PATENT DOCUMENTS

- D552,029 S * 10/2007 Kingston D13/108
- D553,077 S 10/2007 Kim et al.
- D561,470 S 2/2008 Jalet
- D740,223 S 10/2015 Yoneta
- D772,572 S * 11/2016 Palmborg D3/294

(Continued)

Primary Examiner — Rosemary K Tarca

(74) *Attorney, Agent, or Firm* — Holzer Patel Drennan

(57) **CLAIM**

The ornamental design for an earpiece charging case with window, as shown and described.

DESCRIPTION

FIG. 1 is a perspective view of a first embodiment of an earpiece charging case showing our new design, as viewed from the top and front with the charging case in an open state.

FIG. 2 is a front elevational view thereof.

FIG. 3 is a back elevational view thereof.

FIG. 4 is a right side elevational view thereof.

FIG. 5 is a left side elevational view thereof.

FIG. 6 is a top plan view thereof.

FIG. 7 is a bottom plan view thereof.

FIG. 8 is a perspective view of a first embodiment of an earpiece charging case showing our new design, as viewed from the top and front with the charging case in a closed state.

FIG. 9 is a front elevational view thereof.

FIG. 10 is a back elevational view thereof.

FIG. 11 is a right side elevational view thereof.

FIG. 12 is a left side elevational view thereof.

FIG. 13 is a top plan view thereof.

FIG. 14 is a bottom plan view thereof.

FIG. 15 is a perspective view of a second embodiment of an earpiece charging case showing our new design, as viewed from the top and front with the charging case in an open state.

FIG. 16 is a front elevational view thereof.

FIG. 17 is a back elevational view thereof.

FIG. 18 is a right side elevational view thereof.

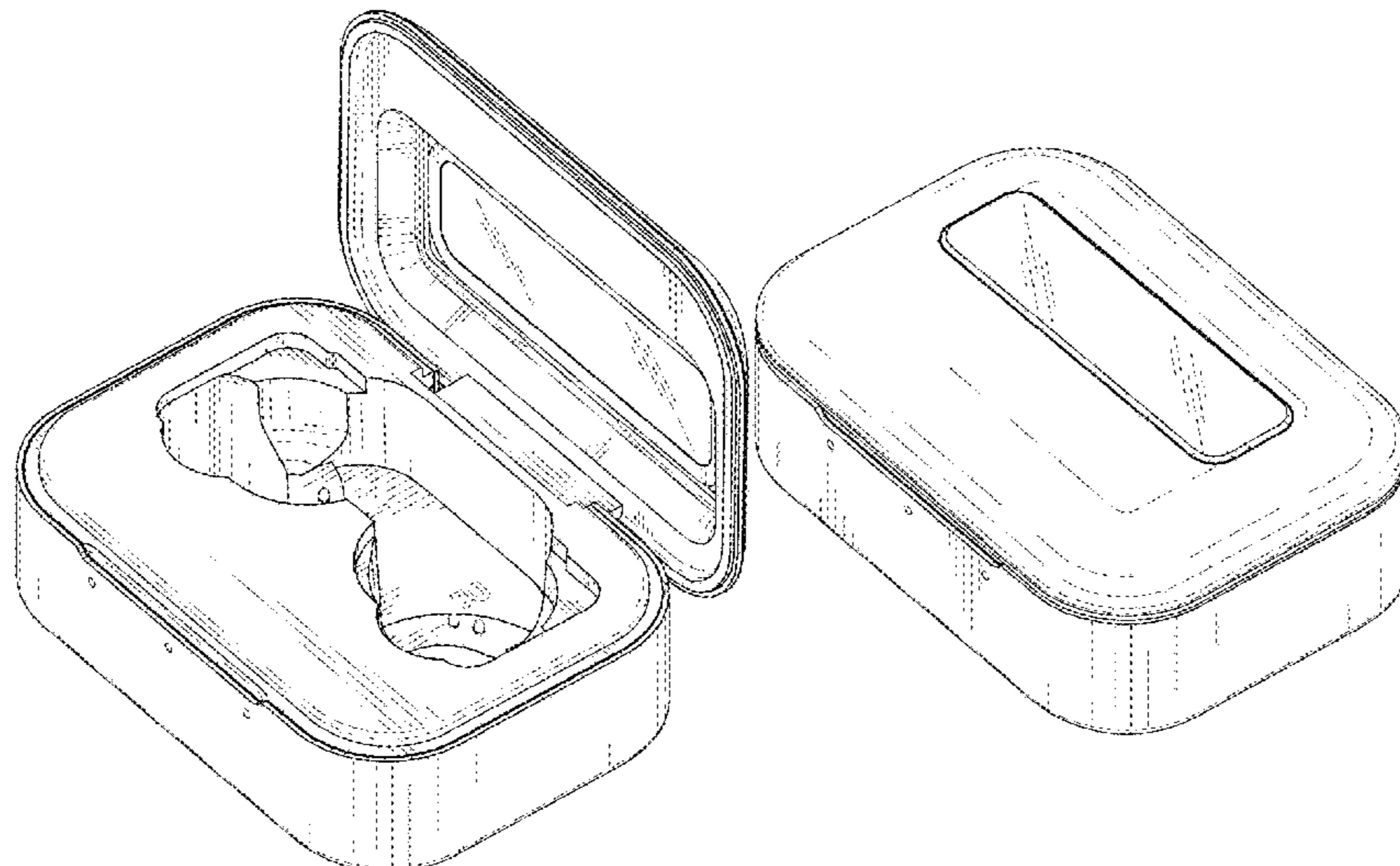
FIG. 19 is a left side elevational view thereof.

FIG. 20 is a top plan view thereof; and,

FIG. 21 is a bottom plan view thereof.

The broken lines depict portions of the earpiece charging case with window that form no part of the claimed design.

1 Claim, 12 Drawing Sheets



(56)

References Cited

U.S. PATENT DOCUMENTS

D774,455 S 12/2016 Kim et al.
D806,648 S * 1/2018 Beedham D13/107
D817,640 S 5/2018 Dang et al.
D829,168 S * 9/2018 Massee D13/108
D839,583 S * 2/2019 Cao D3/201
D841,580 S * 2/2019 Bao D13/108
D841,581 S 2/2019 Bonahoom et al.
D851,035 S 6/2019 Hong
D853,116 S * 7/2019 Bergman D3/294
D864,110 S * 10/2019 Yoshimura D13/108
D865,663 S 11/2019 Yao
D870,451 S * 12/2019 Birger D3/201
D872,689 S 1/2020 Vardi
D873,217 S 1/2020 Zhang
D881,810 S 4/2020 Zhang
D881,812 S * 4/2020 Yang D13/119
D886,454 S * 6/2020 Williamson D3/294
D886,455 S * 6/2020 Williamson D3/294
D886,738 S * 6/2020 Huang D13/119
D887,351 S 6/2020 Bonahoom et al.
D888,664 S * 6/2020 Ma D13/108
10,701,472 B1 6/2020 Xu
D890,696 S * 7/2020 Sweet D13/108
D892,045 S * 8/2020 Zhang D13/108
D894,122 S 8/2020 Ye
D894,123 S * 8/2020 Xiong D13/108
D899,089 S 10/2020 Yu
D902,589 S * 11/2020 Li D3/295
2018/0123367 A1 5/2018 Higgins et al.
2020/0304899 A1 * 9/2020 Cramer A45C 11/00

* cited by examiner

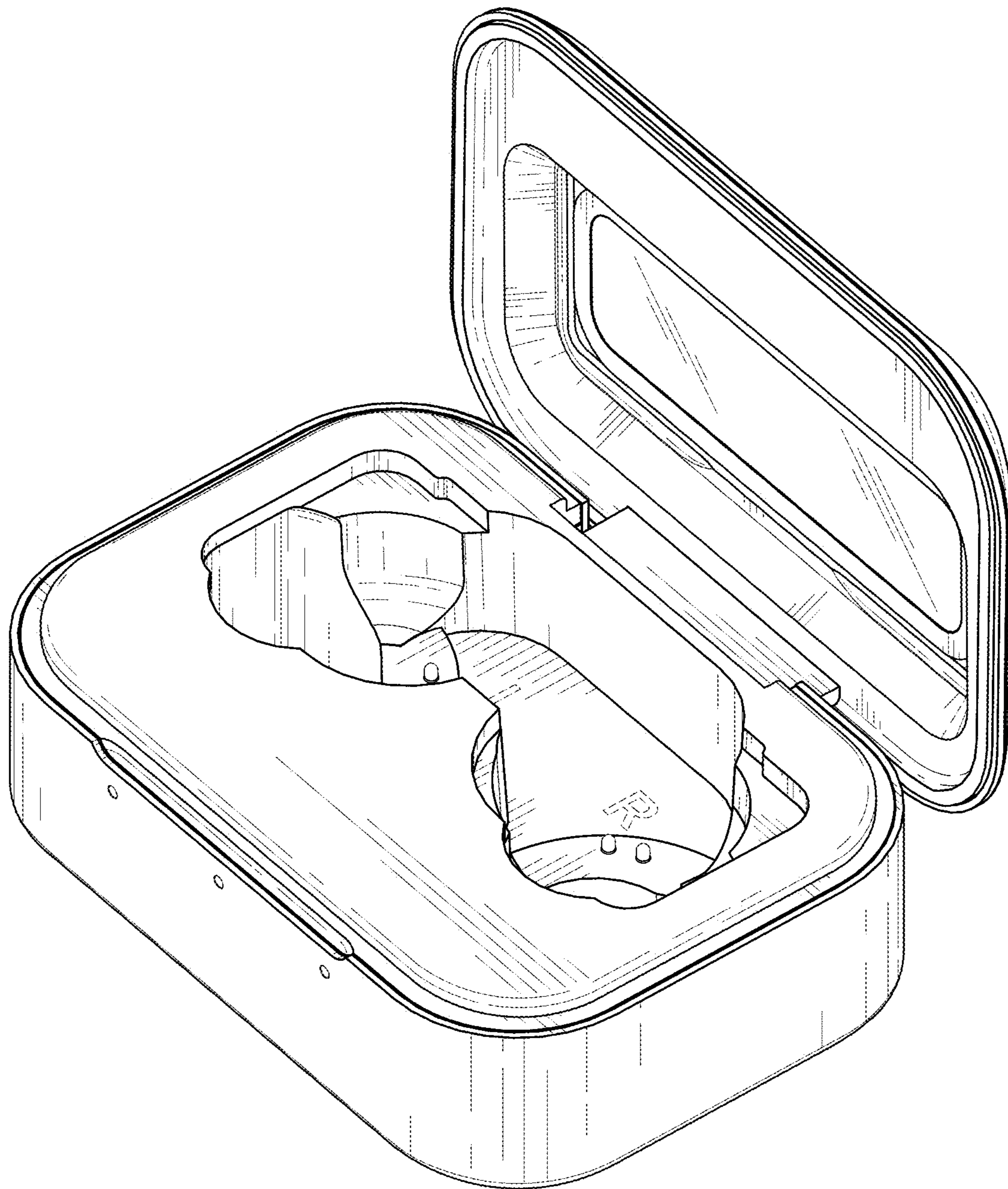


Fig. 1

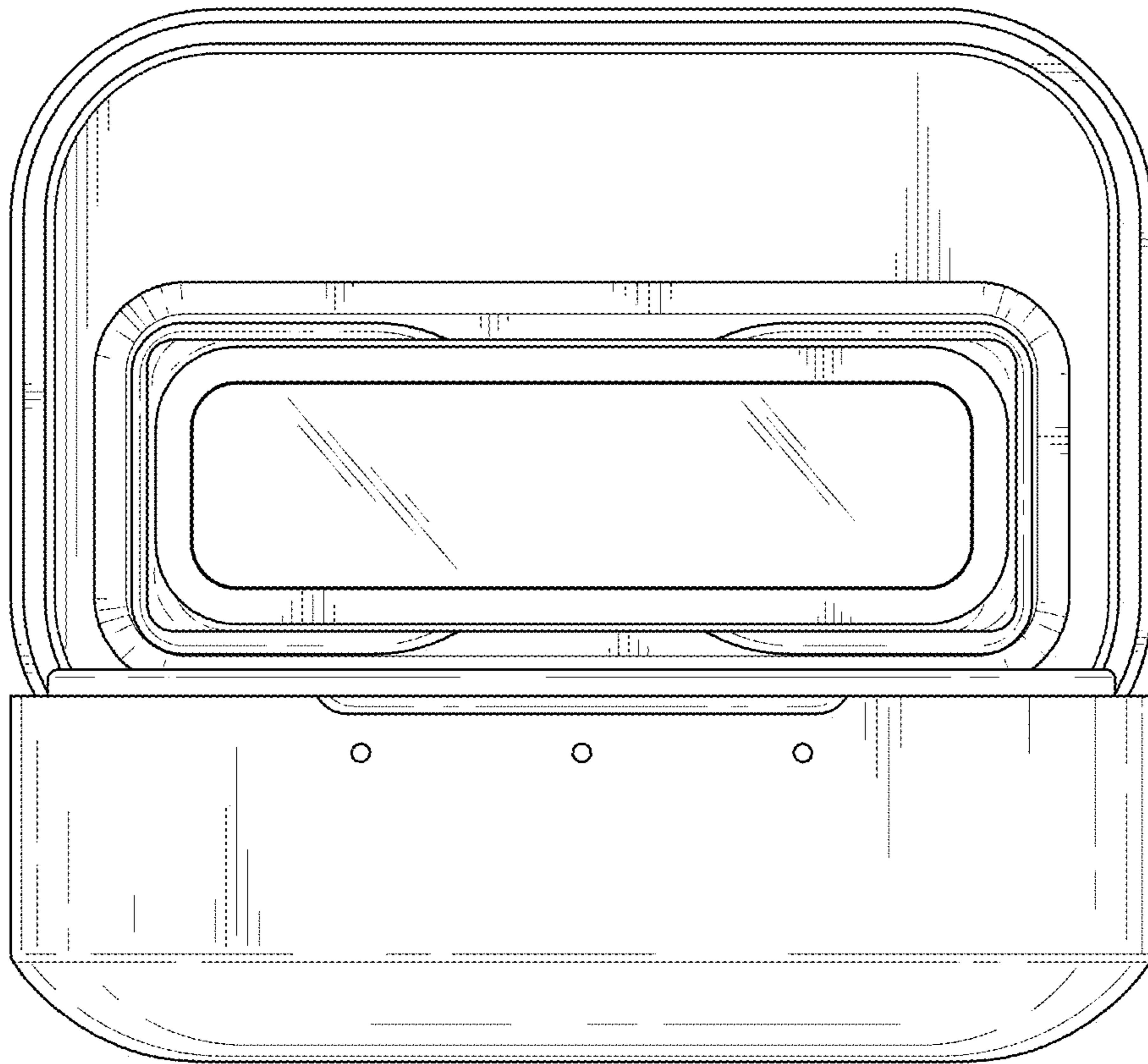


Fig. 2

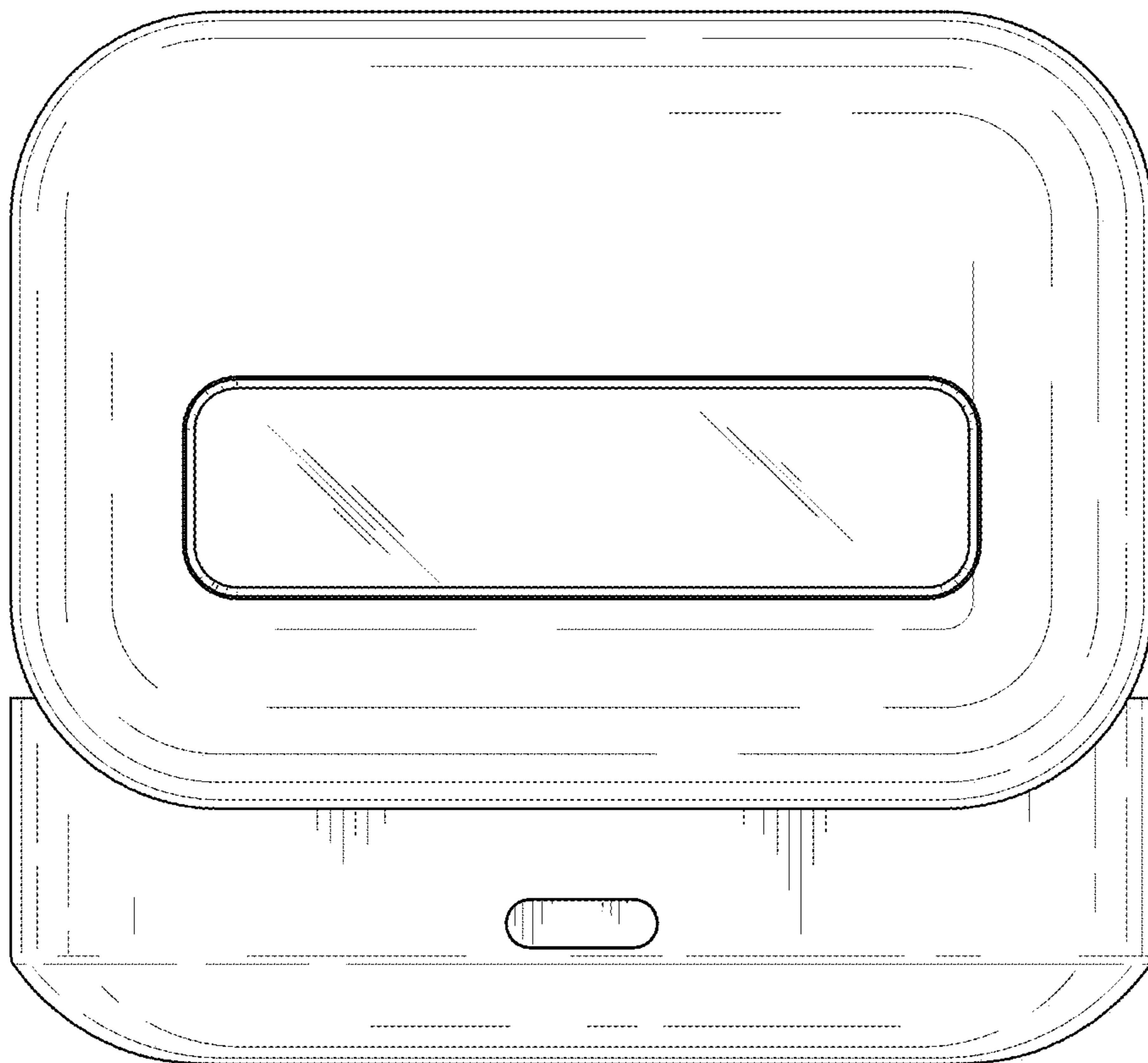


Fig. 3

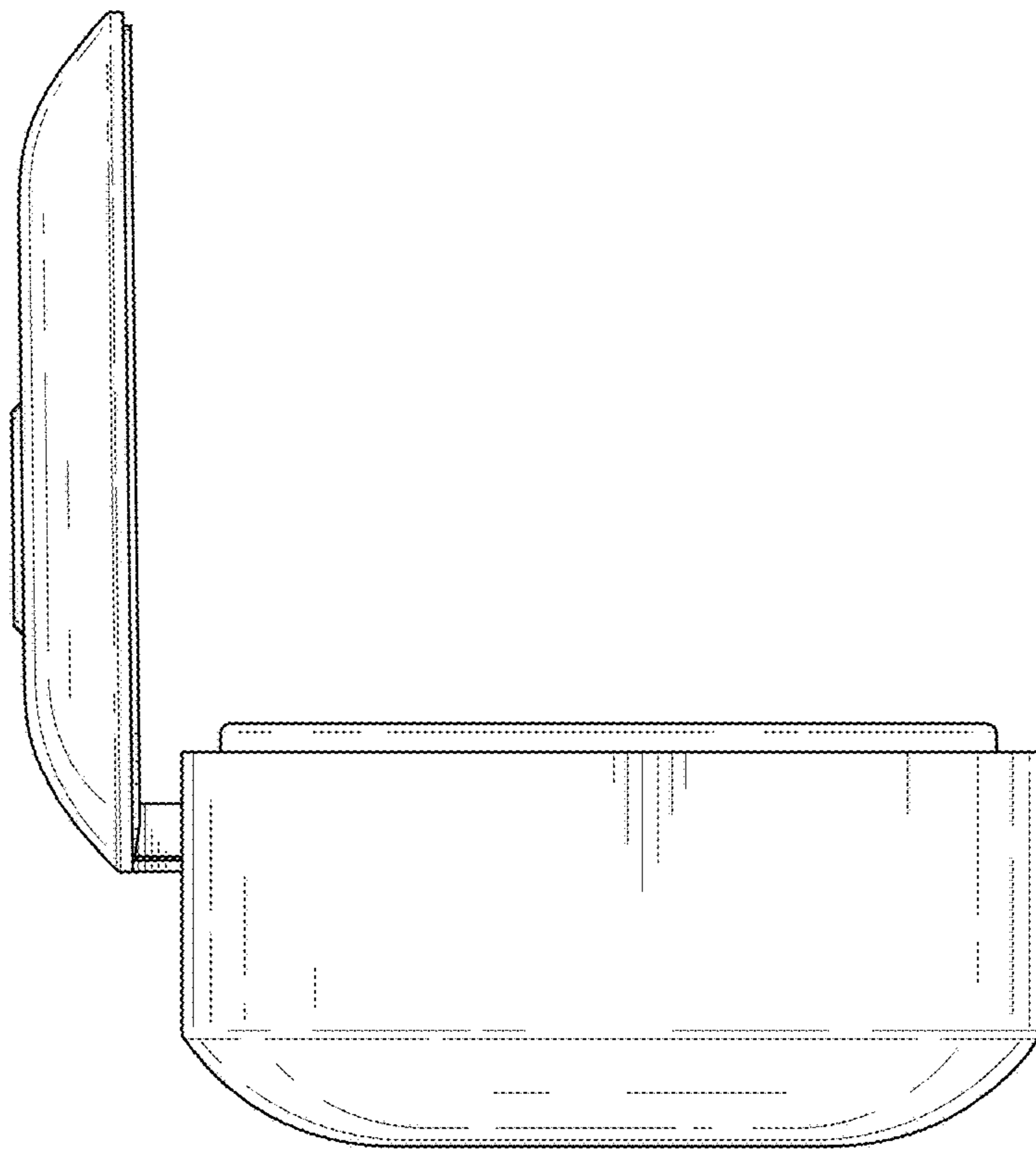


Fig. 4

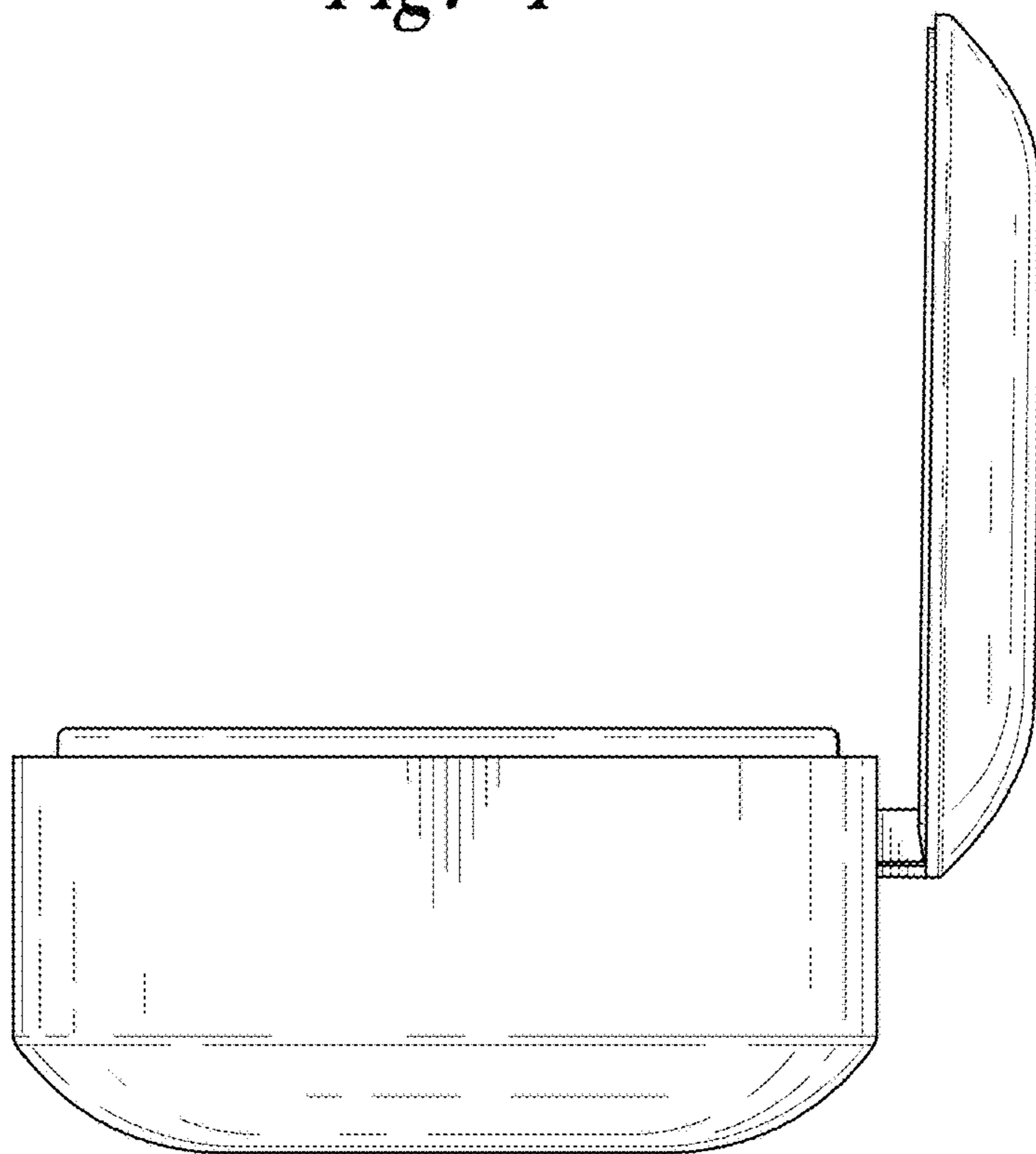


Fig. 5

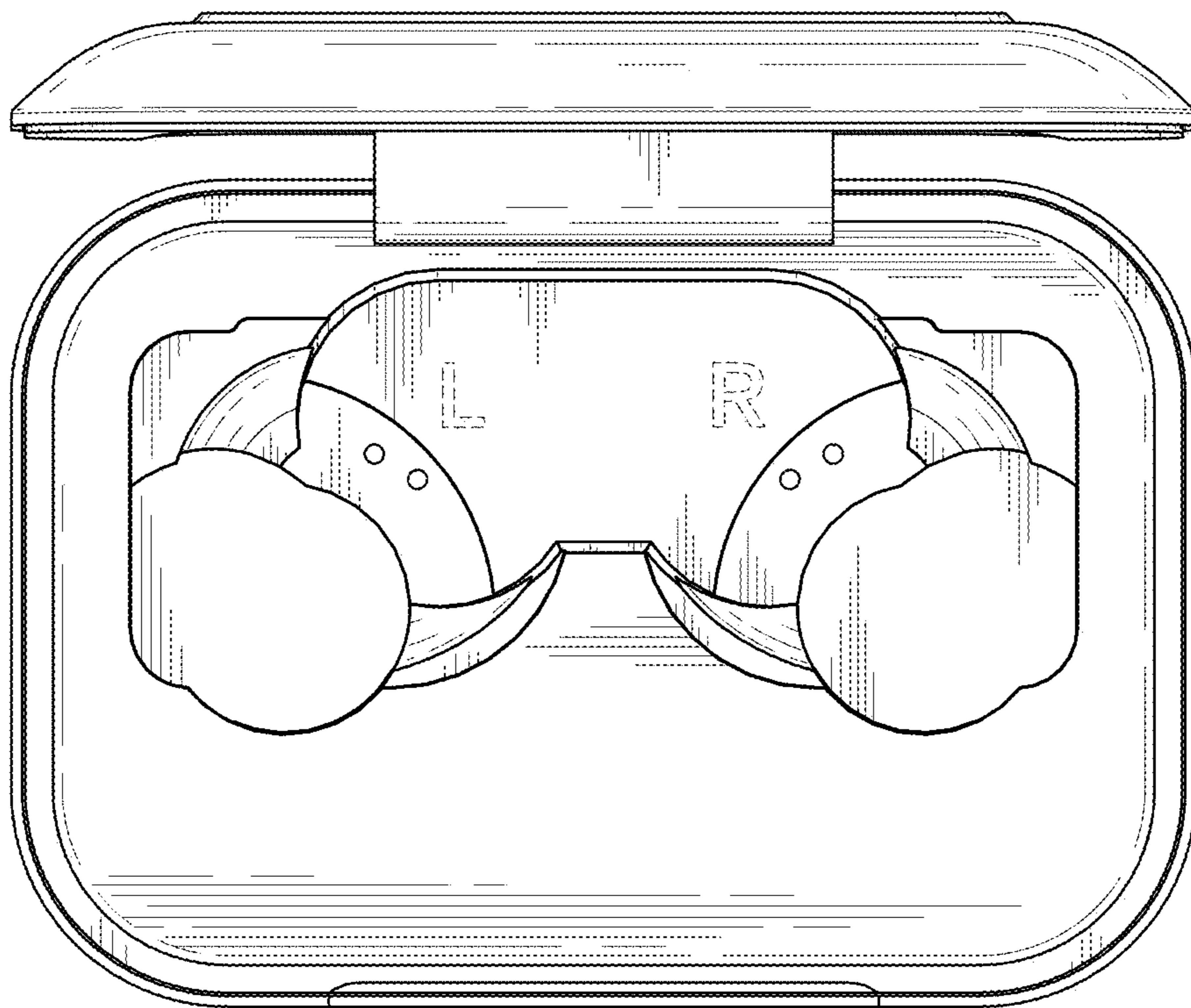


Fig. 6

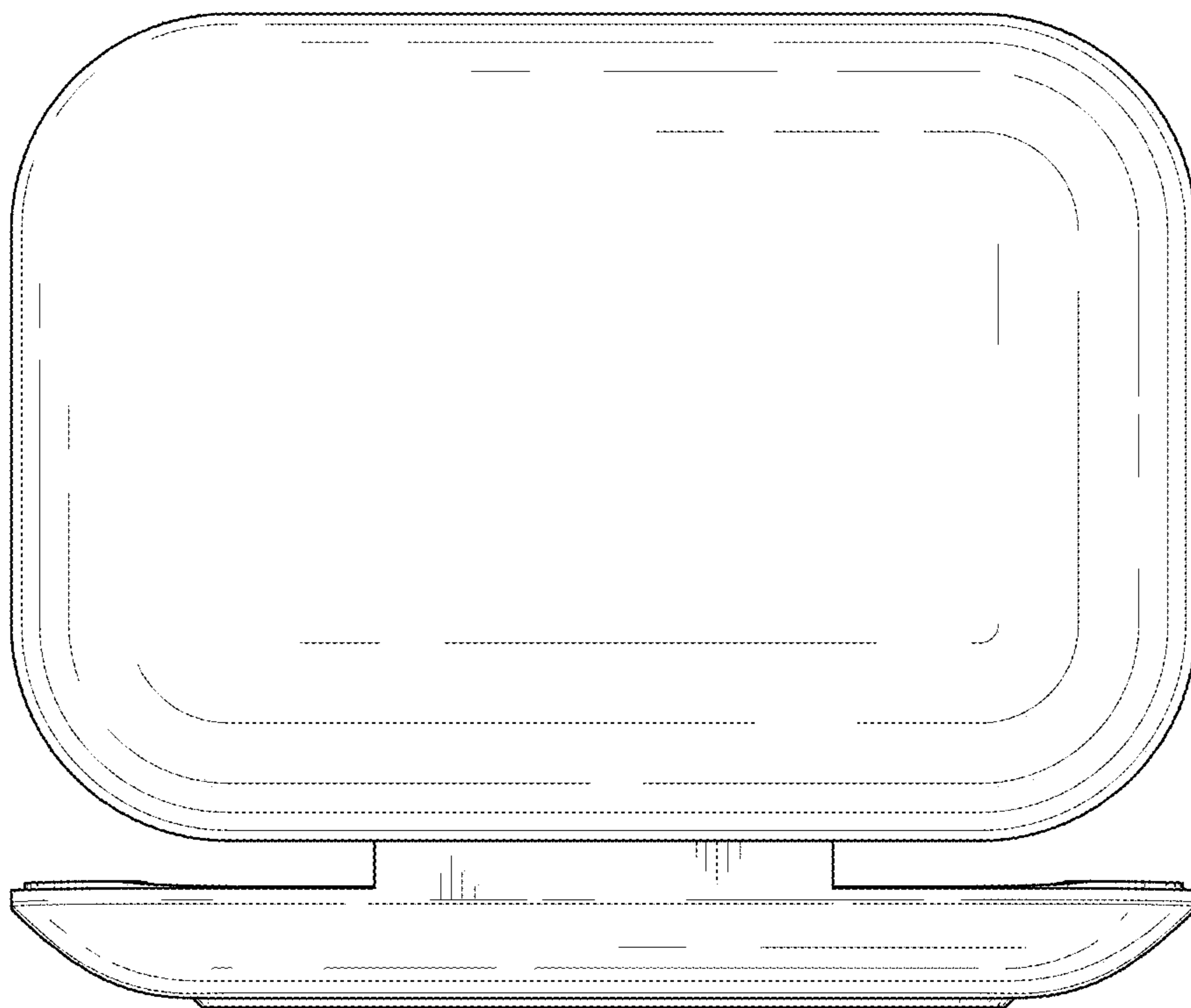


Fig. 7

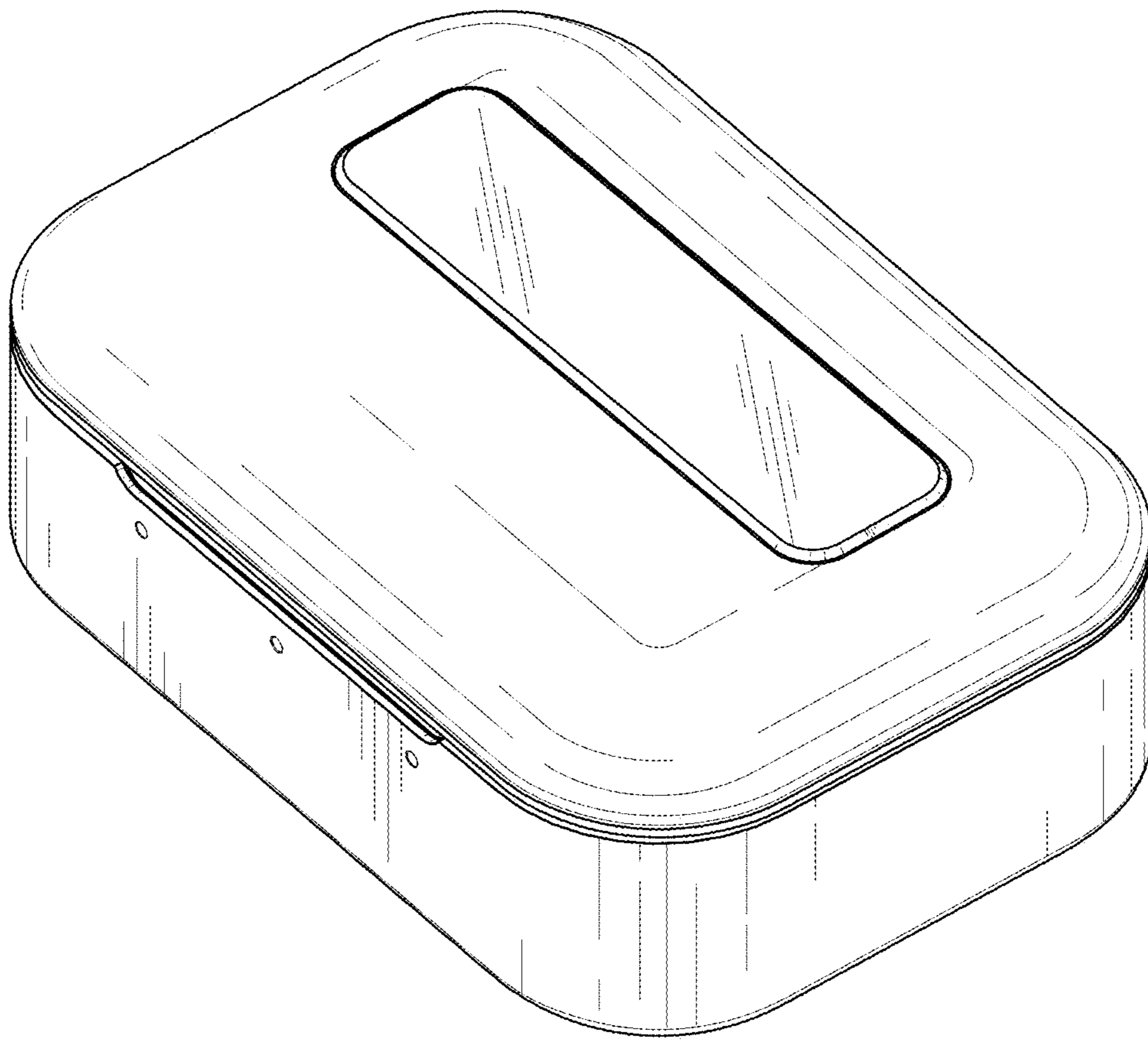


Fig. 8

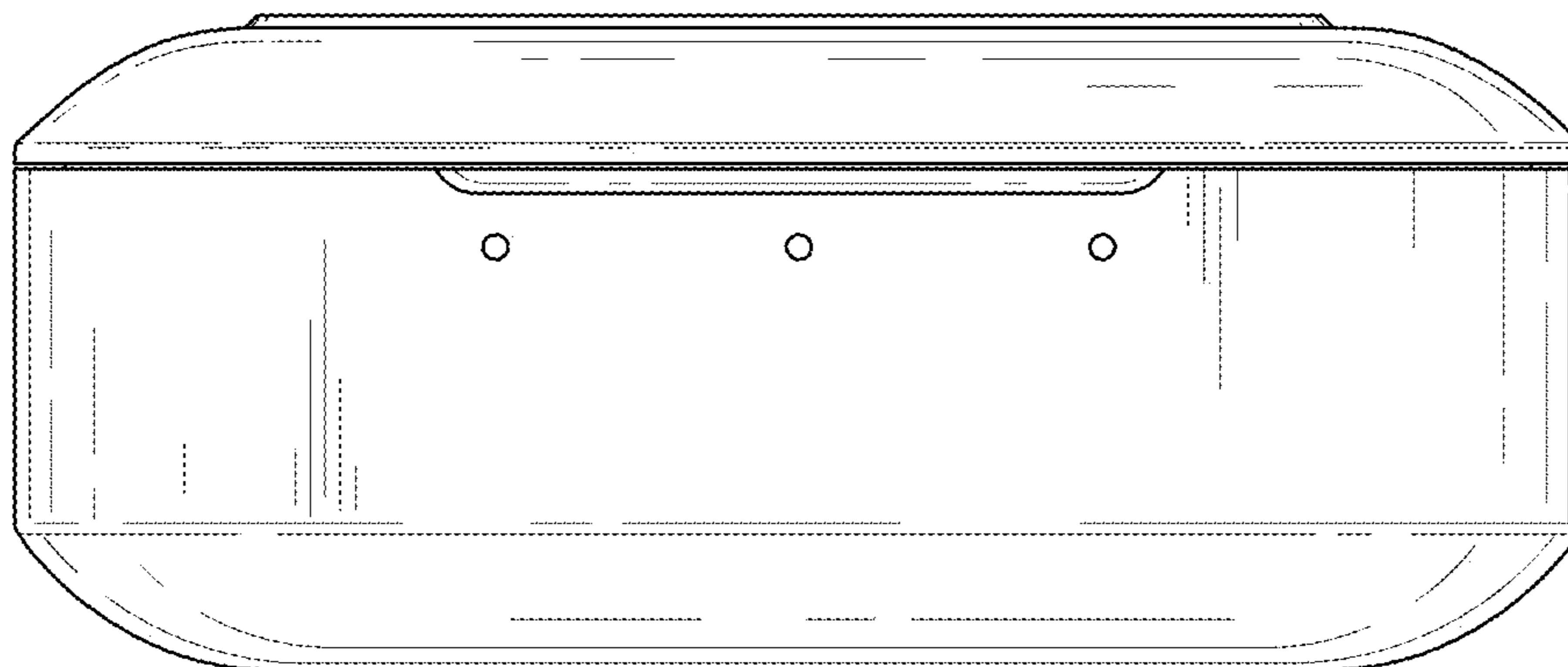


Fig. 9

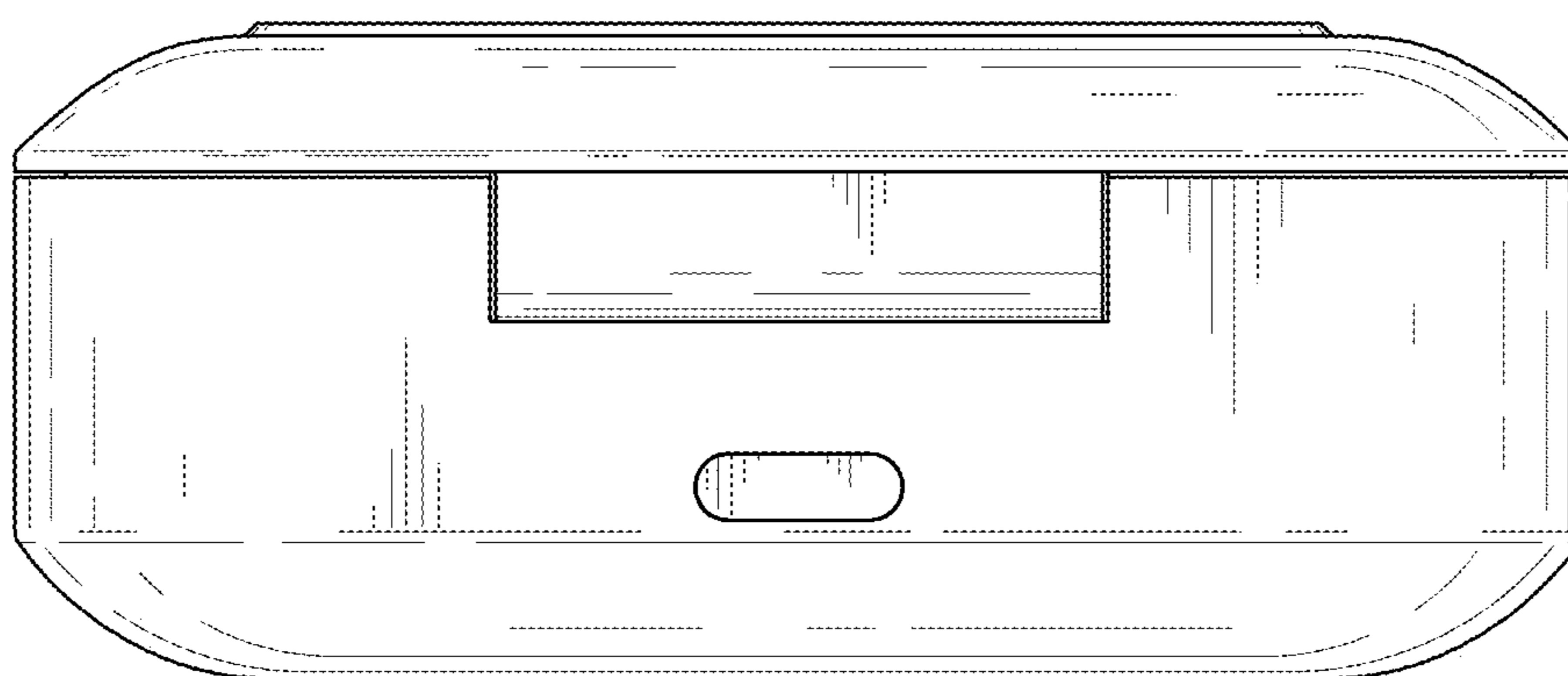


Fig. 10

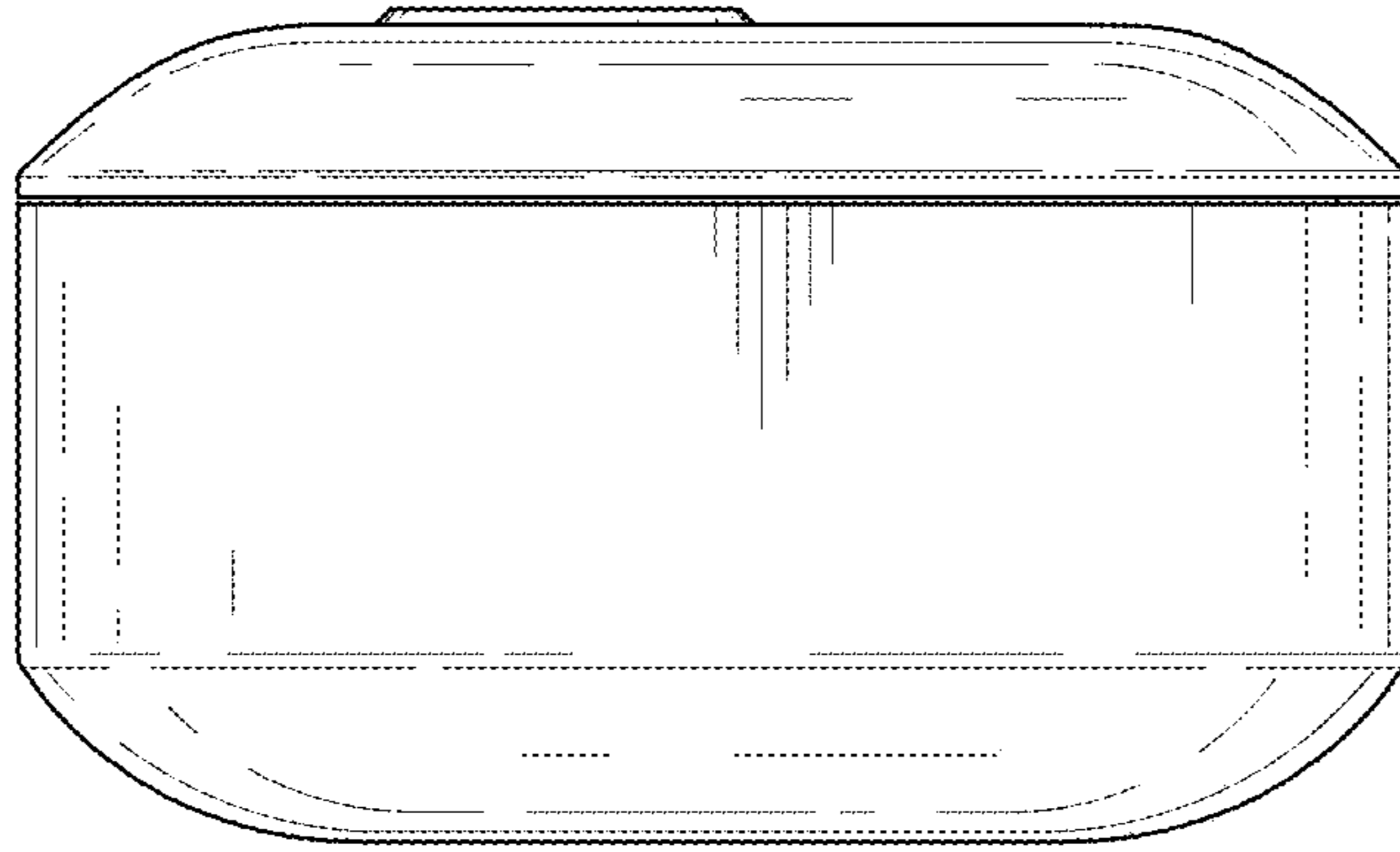


Fig. 11

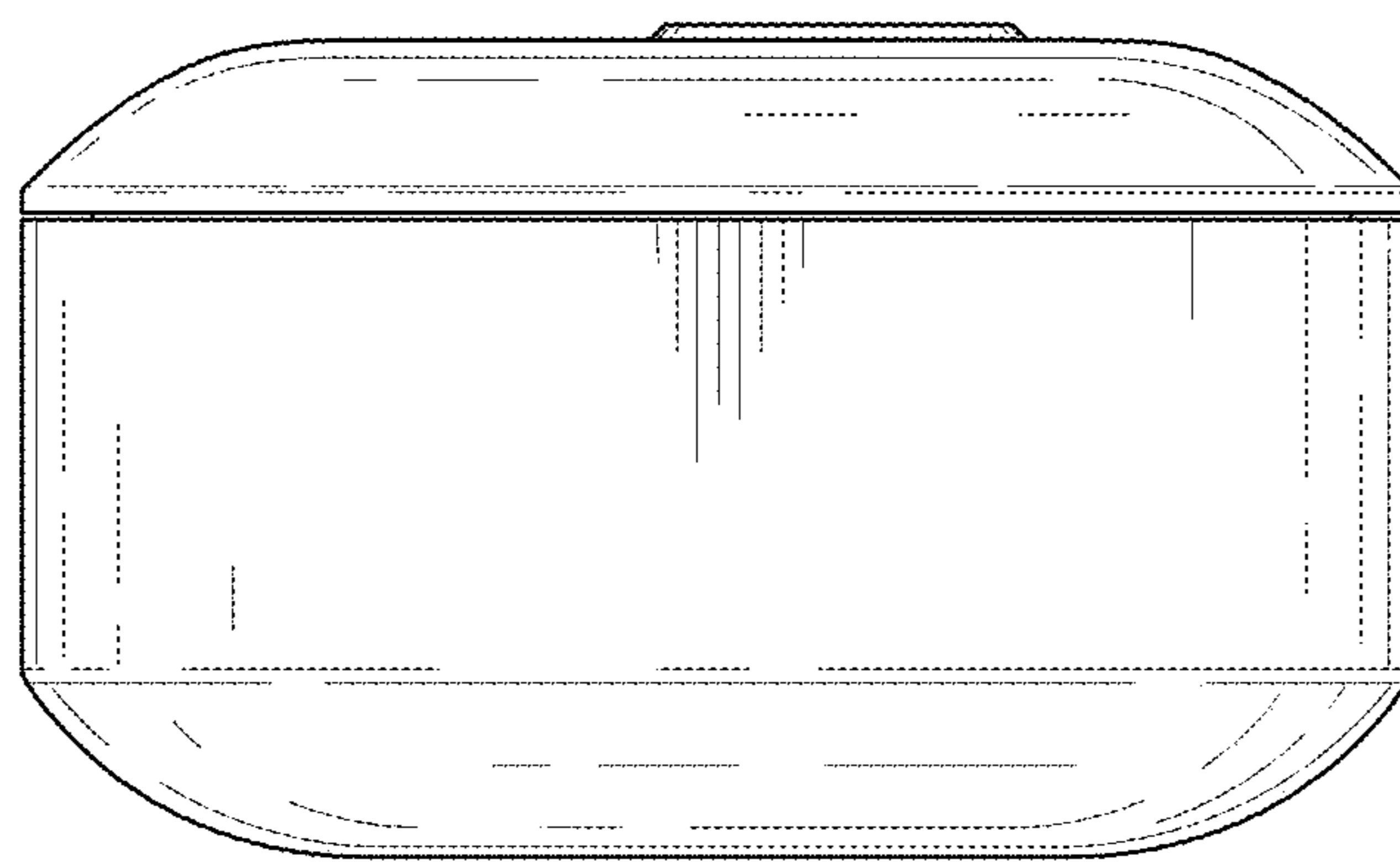


Fig. 12

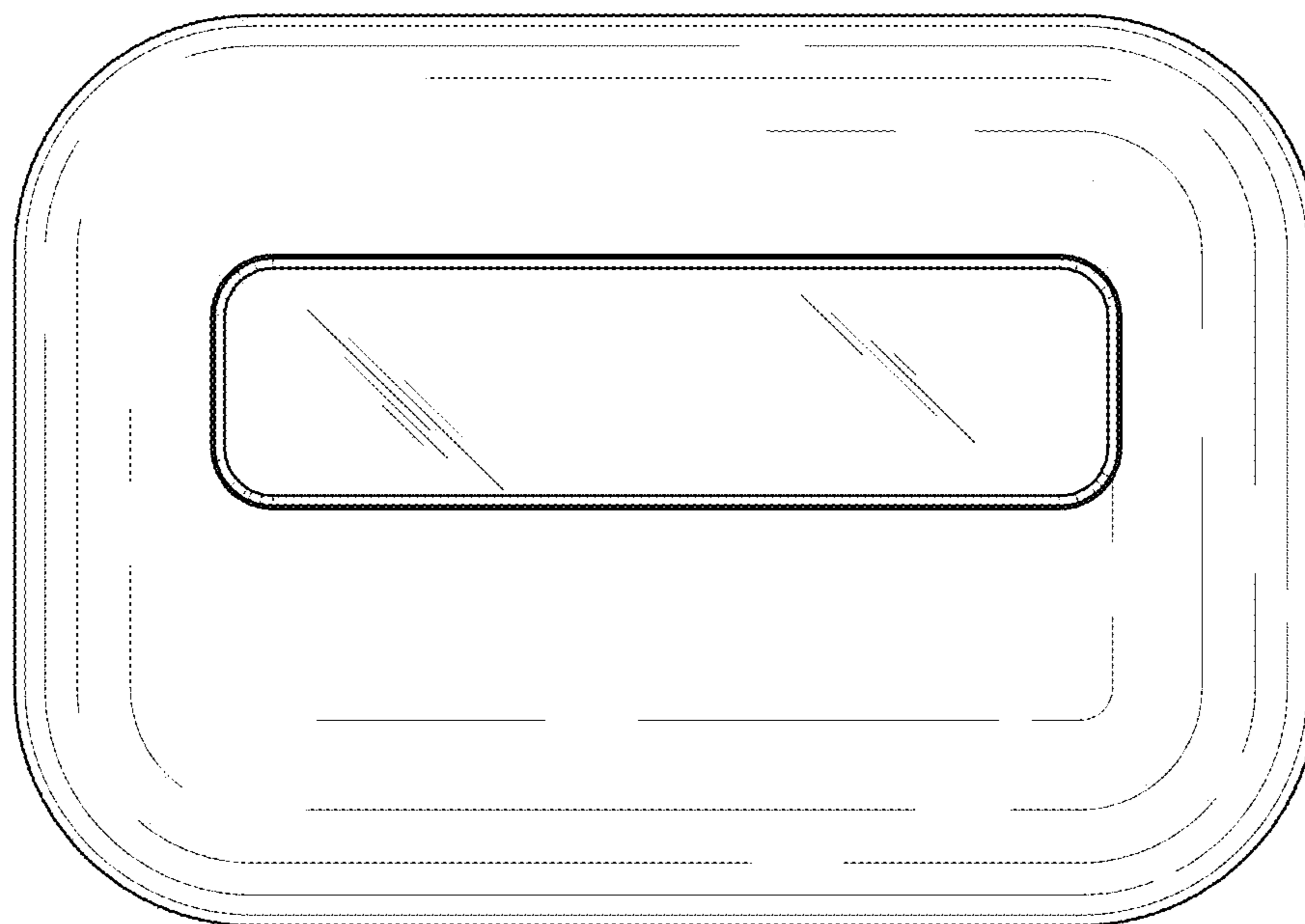


Fig. 13

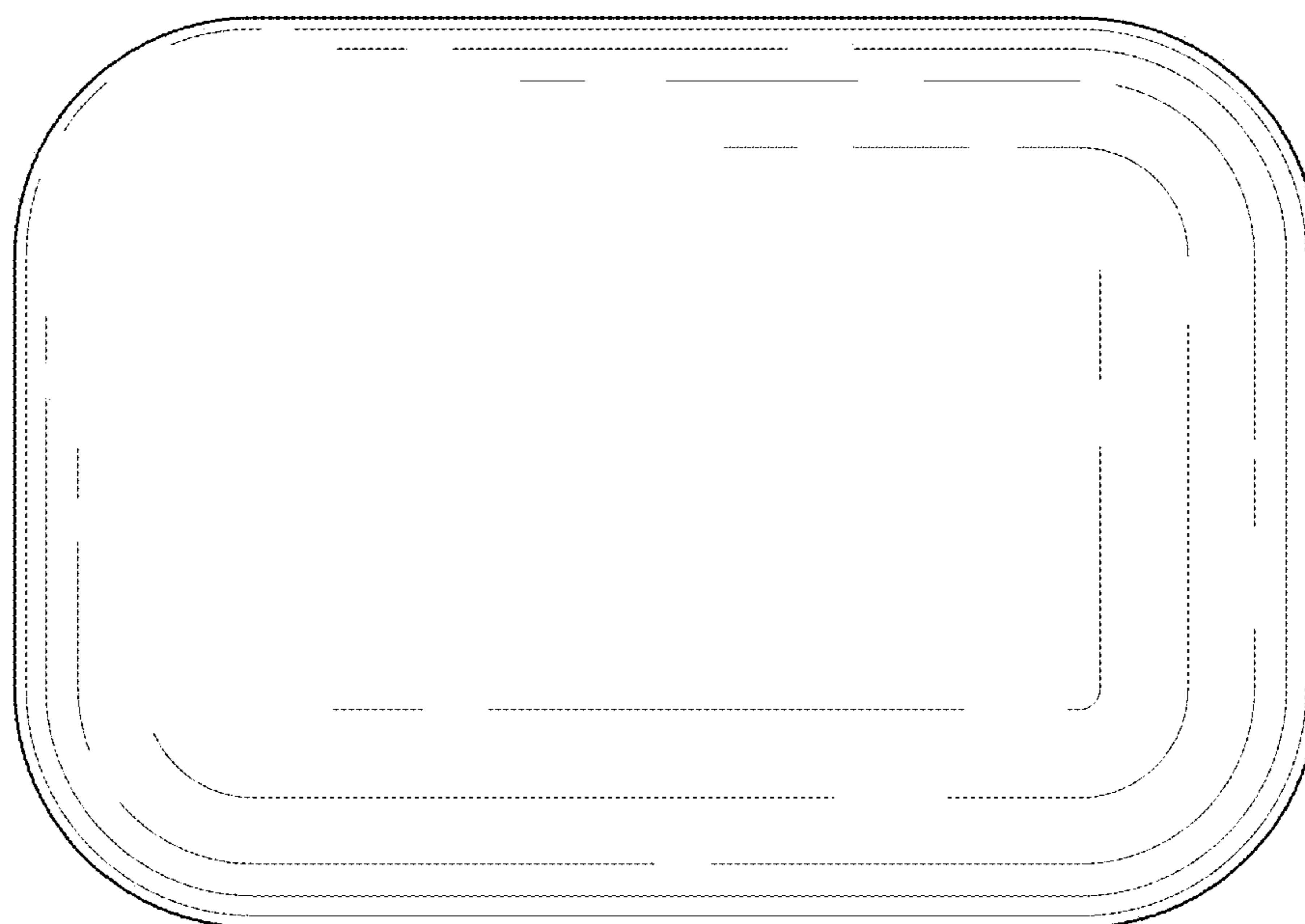


Fig. 14

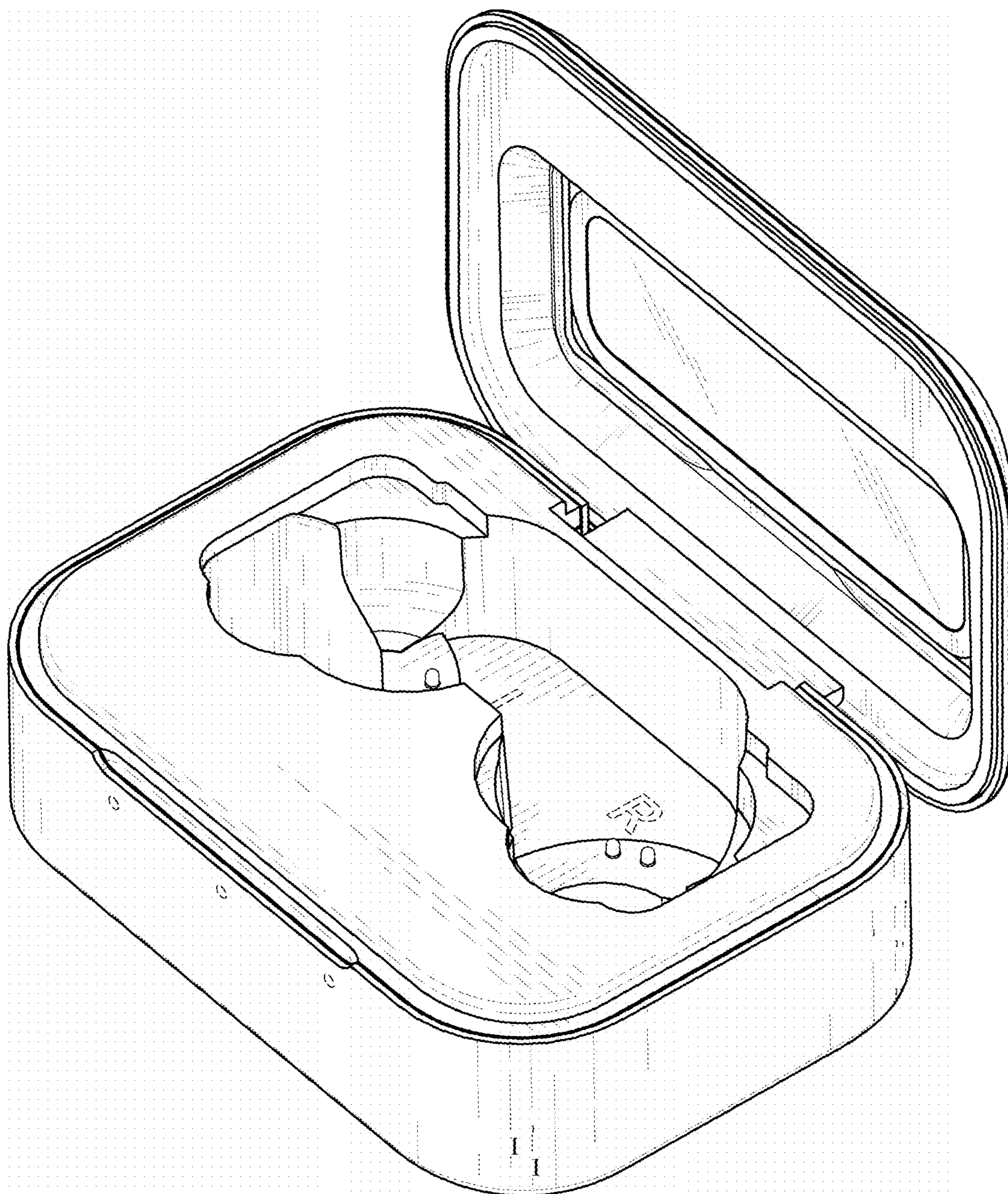


Fig. 15

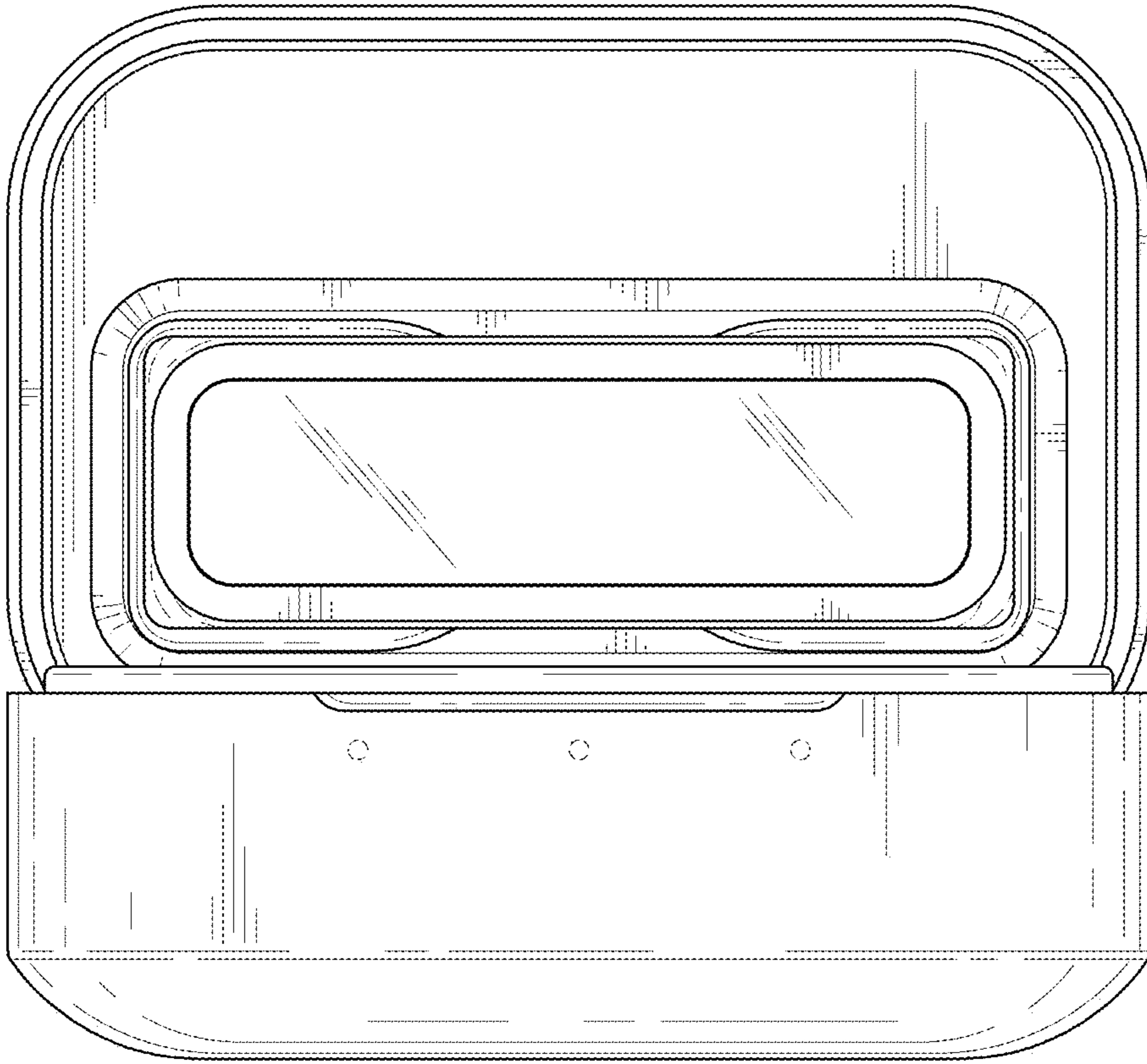


Fig. 16

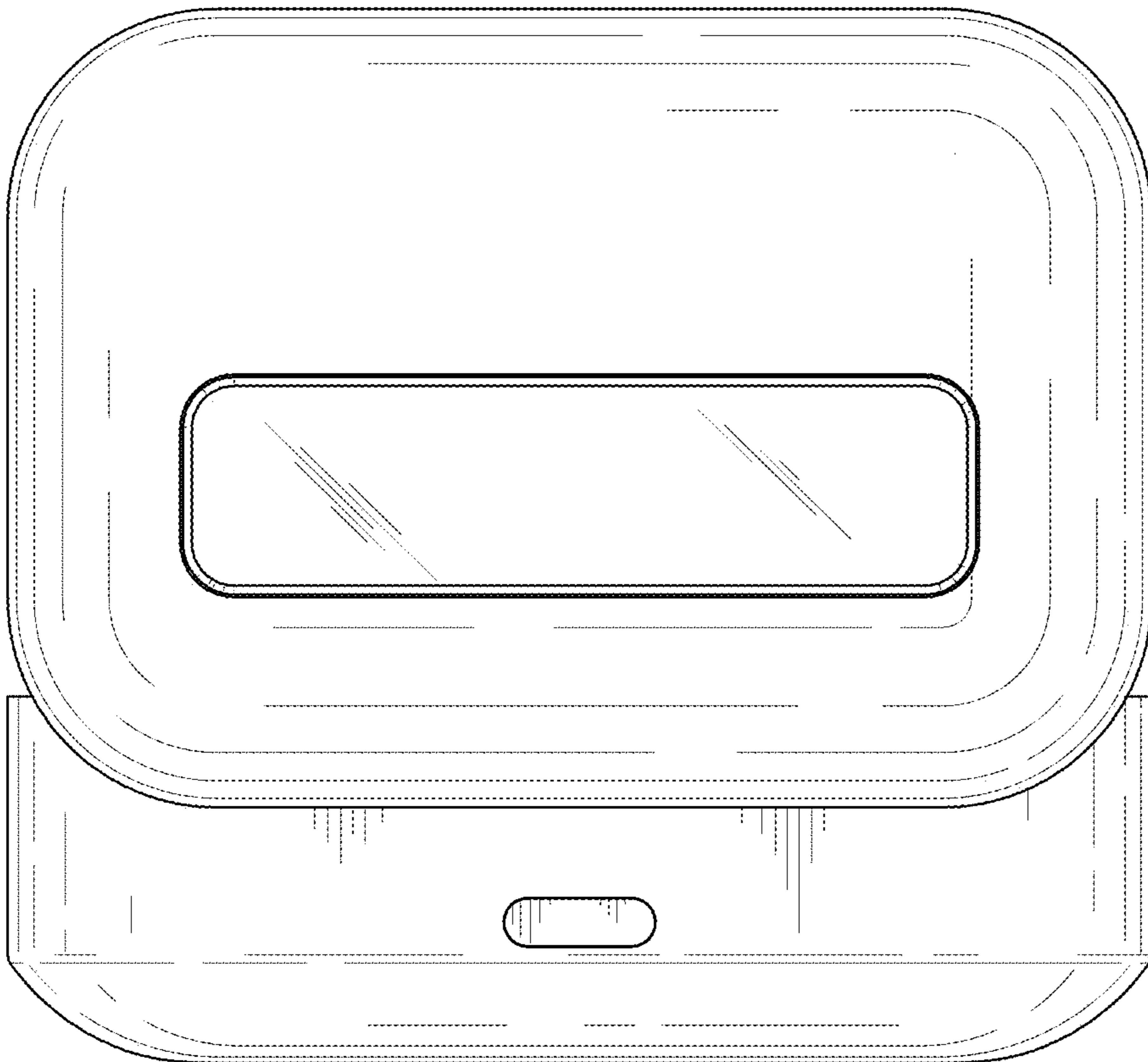


Fig. 17

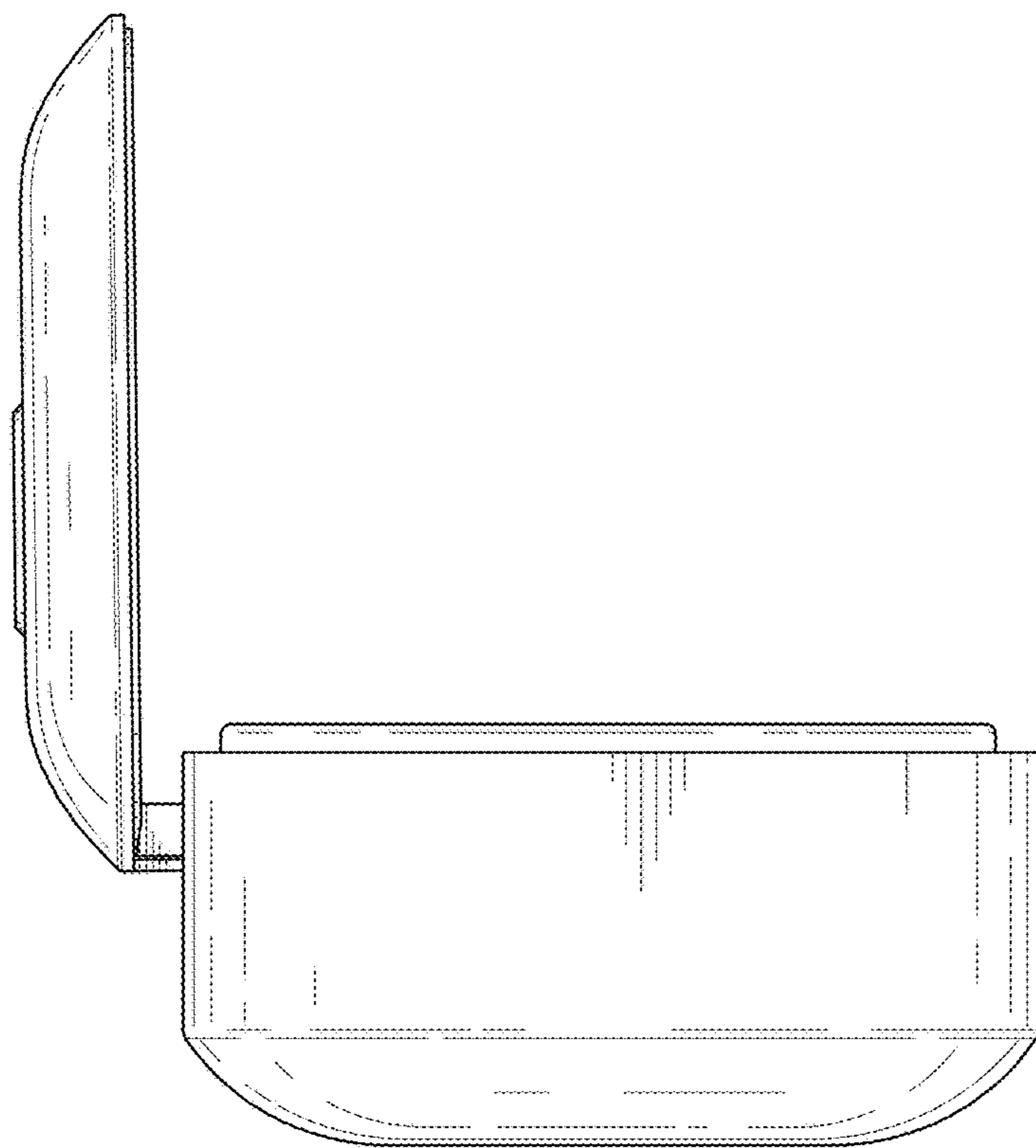


Fig. 18

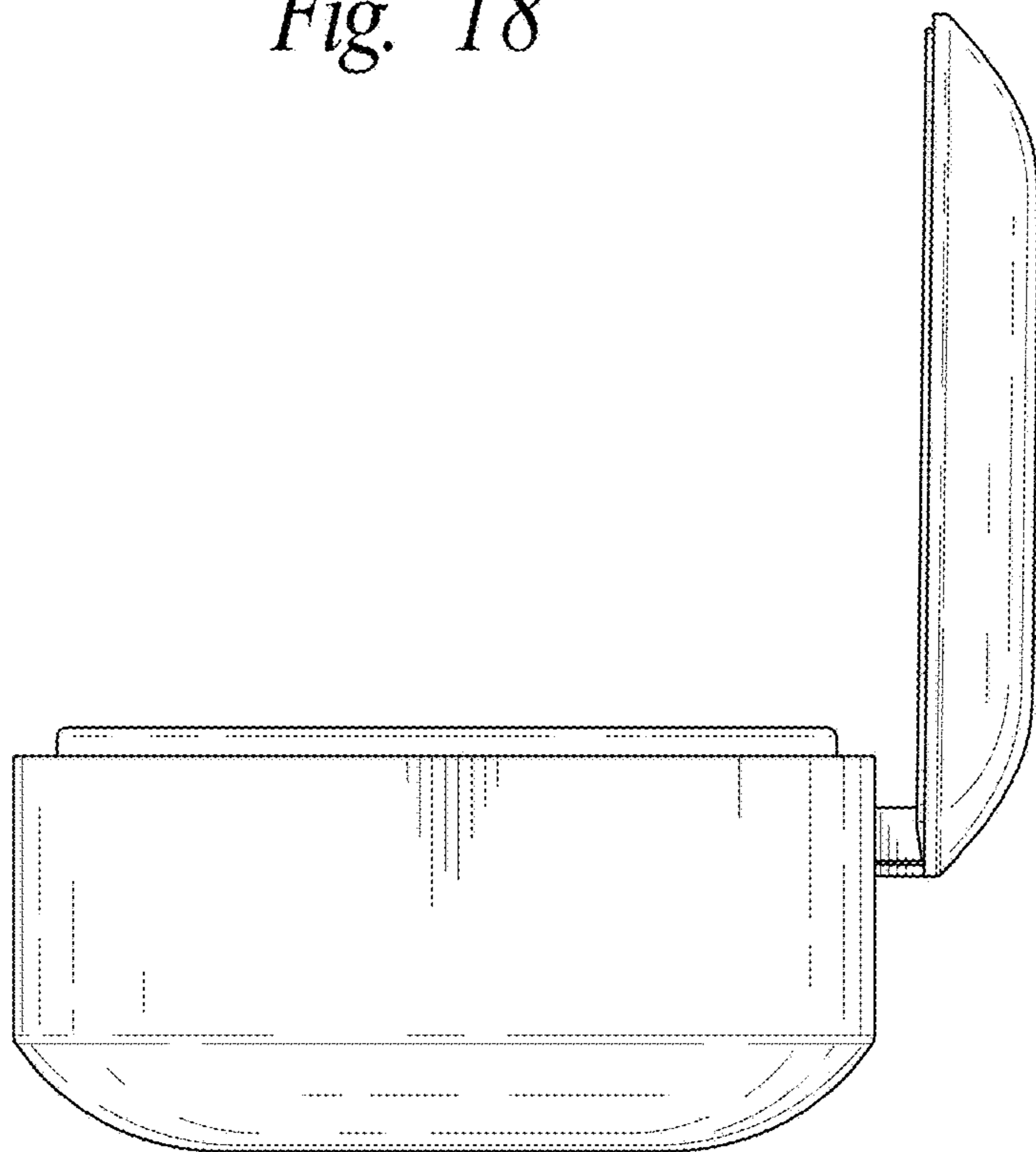


Fig. 19

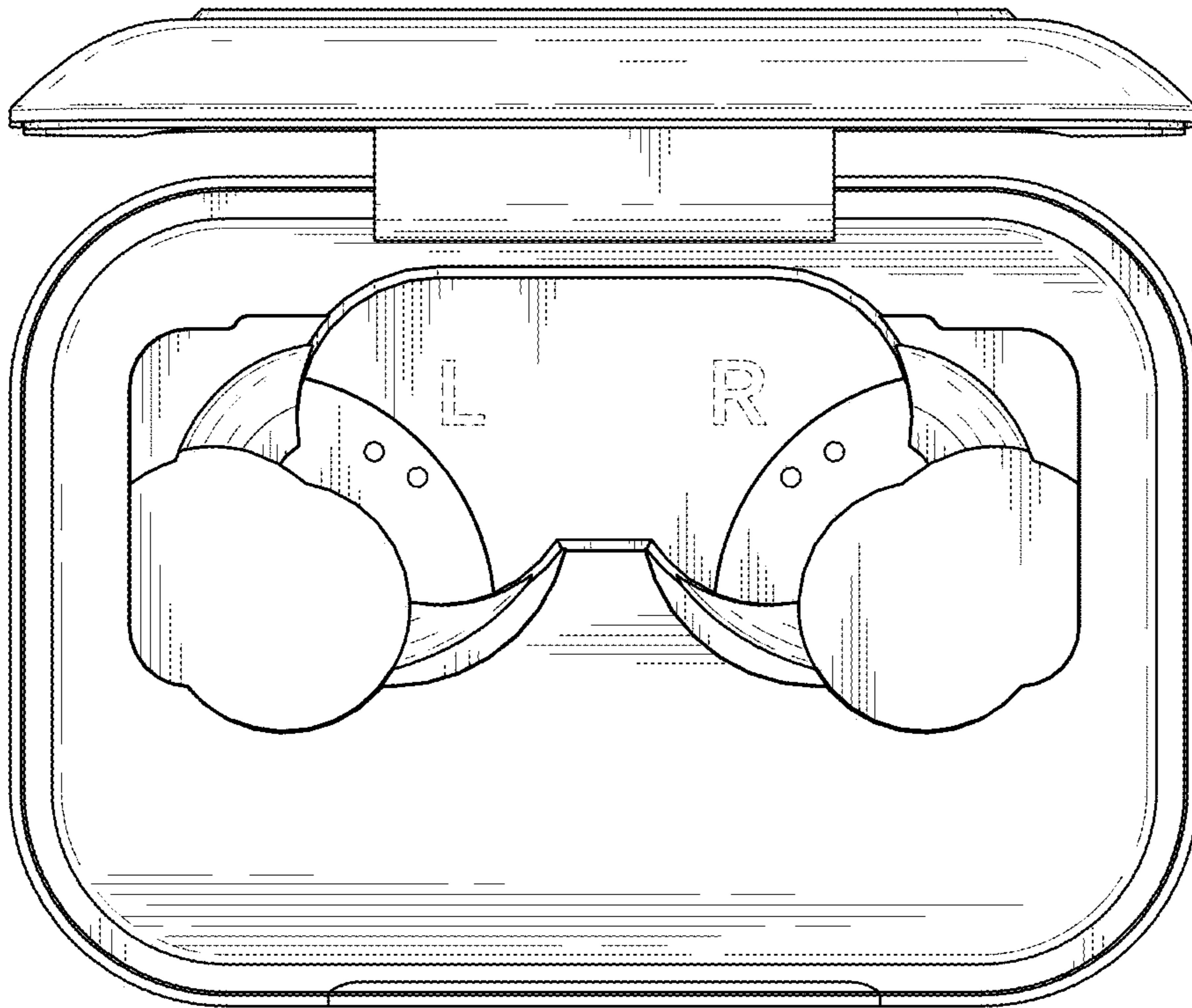


Fig. 20

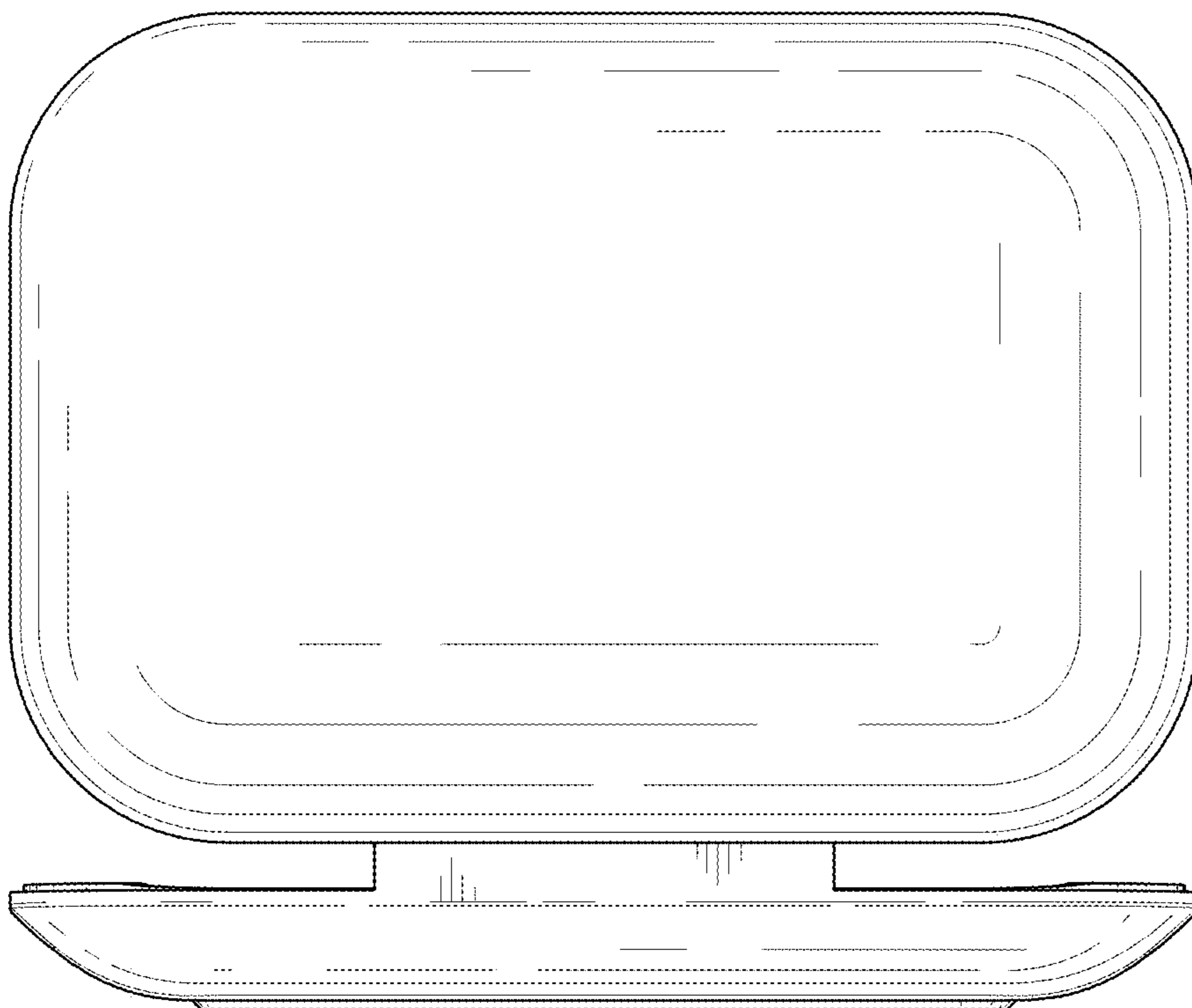


Fig. 21