



US00D931205S

(12) **United States Design Patent**  
**McIntyre**

(10) **Patent No.:** **US D931,205 S**

(45) **Date of Patent:** **\*\* Sep. 21, 2021**

(54) **POWER SOURCE**

(71) Applicant: **MILWAUKEE ELECTRIC TOOL CORPORATION**, Brookfield, WI (US)

(72) Inventor: **Joseph R. McIntyre**, Milwaukee, WI (US)

(73) Assignee: **Milwaukee Electric Tool Corporation**, Brookfield, WI (US)

(\*\*) Term: **15 Years**

(21) Appl. No.: **29/680,567**

(22) Filed: **Feb. 18, 2019**

(51) **LOC (13) Cl.** ..... **13-02**

(52) **U.S. Cl.**  
USPC ..... **D13/108**; D13/103

(58) **Field of Classification Search**  
USPC ..... D13/102, 103, 107, 108, 110, 112, 113, D13/118, 119, 184, 199  
CPC ..... Y02T 10/7005; Y02T 10/705; Y02T 10/7088; H02J 7/025; H02J 7/0042; H02J 7/0044; H02J 7/0045; H02J 7/0003; H01F 38/14; H01M 2/02; H01M 2/022; H01M 2/0202; H01M 2/0207; H01M 2/0212; H01M 2/1061; H01M 2/1022; H01M 2/1055; H01M 2/1066; H01M 2/105; H01M 2/204; Y02E 60/12; Y02E 60/122; Y02E 60/124; Y02E 60/50

See application file for complete search history.

(56) **References Cited**

**U.S. PATENT DOCUMENTS**

D623,589 S \* 9/2010 Tarter ..... D13/103  
D686,155 S \* 7/2013 Nguyen ..... D13/103  
8,857,672 B2 \* 10/2014 Naughton ..... B05C 17/00596  
222/327  
D722,956 S \* 2/2015 Alima ..... D13/108

D780,113 S \* 2/2017 Xianxi ..... D13/103  
9,999,478 B1 \* 6/2018 Ray ..... A61M 16/0875  
D842,236 S \* 3/2019 Garduno ..... D13/103  
D858,831 S \* 9/2019 Proeber ..... D26/37  
D870,659 S \* 12/2019 Liao ..... D13/108  
D874,721 S \* 2/2020 Lai ..... D27/167  
D885,328 S \* 5/2020 Bartell ..... D13/103  
D886,046 S \* 6/2020 Lim ..... D13/103  
D889,401 S \* 7/2020 Li ..... D13/108  
D897,289 S \* 9/2020 Busl ..... D13/110  
D897,946 S \* 10/2020 Liu ..... D13/103  
D899,355 S \* 10/2020 Sommerfeld ..... D13/103  
D899,644 S \* 10/2020 Dorman ..... D26/40

(Continued)

*Primary Examiner* — Christy Nemeth

(74) *Attorney, Agent, or Firm* — Michael Best & Friedrich LLP

(57) **CLAIM**

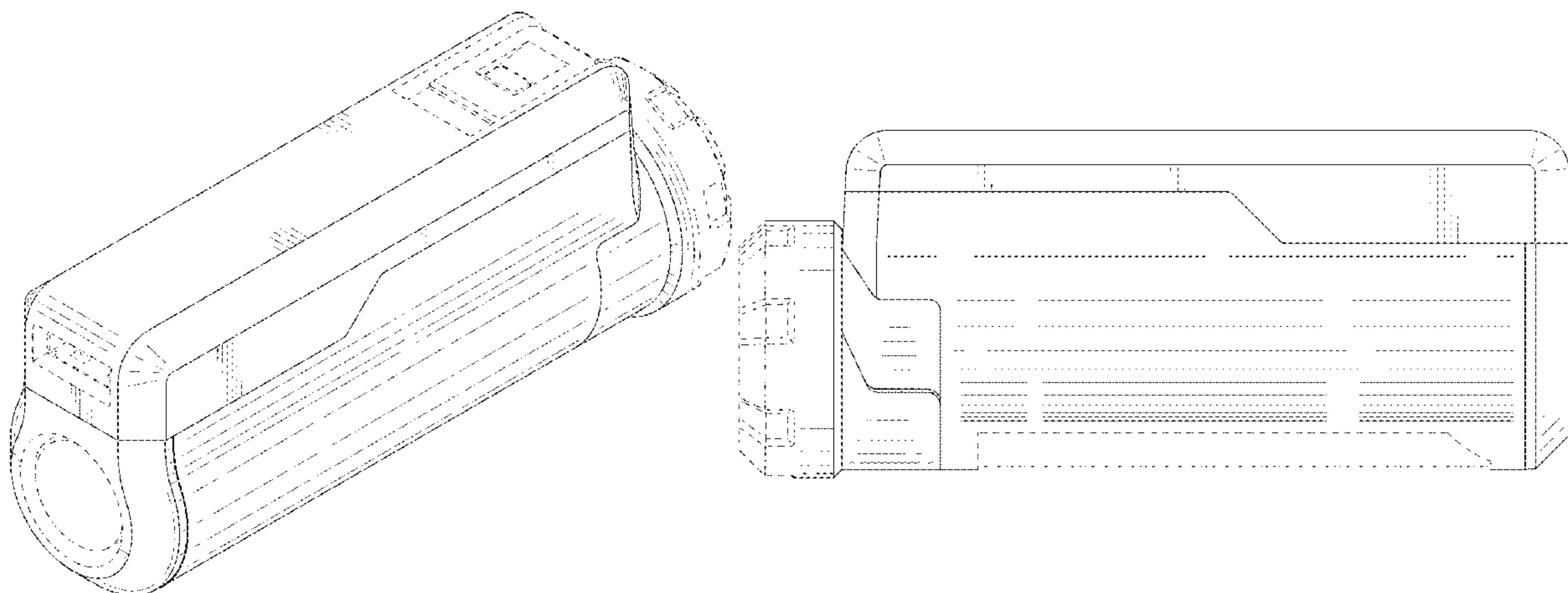
I claim the ornamental design for a power source, as shown and described.

**DESCRIPTION**

FIG. 1 is a front perspective view of a power source.  
FIG. 2 is a front view of the power source shown in FIG. 1.  
FIG. 3 is a rear view of the power source shown in FIG. 1.  
FIG. 4 is a first side view of the power source shown in FIG. 1.  
FIG. 5 is a second side view of the power source shown in FIG. 1.  
FIG. 6 is a top view of the power source shown in FIG. 1; and,  
FIG. 7 is a bottom view of the power source shown in FIG. 1.

The broken lines having equal segments represent portions of the article that form no part of the claimed design. The broken lines having unequal length segments illustrate the boundary of the claimed design and form no part of the claimed design.

**1 Claim, 5 Drawing Sheets**



(56)

**References Cited**

U.S. PATENT DOCUMENTS

D902,146 S \* 11/2020 Murmanski ..... D13/102  
D904,657 S \* 12/2020 Proeber ..... D26/42  
D906,559 S \* 12/2020 Westling ..... D26/49  
D907,572 S \* 1/2021 Merrill ..... D13/103

\* cited by examiner

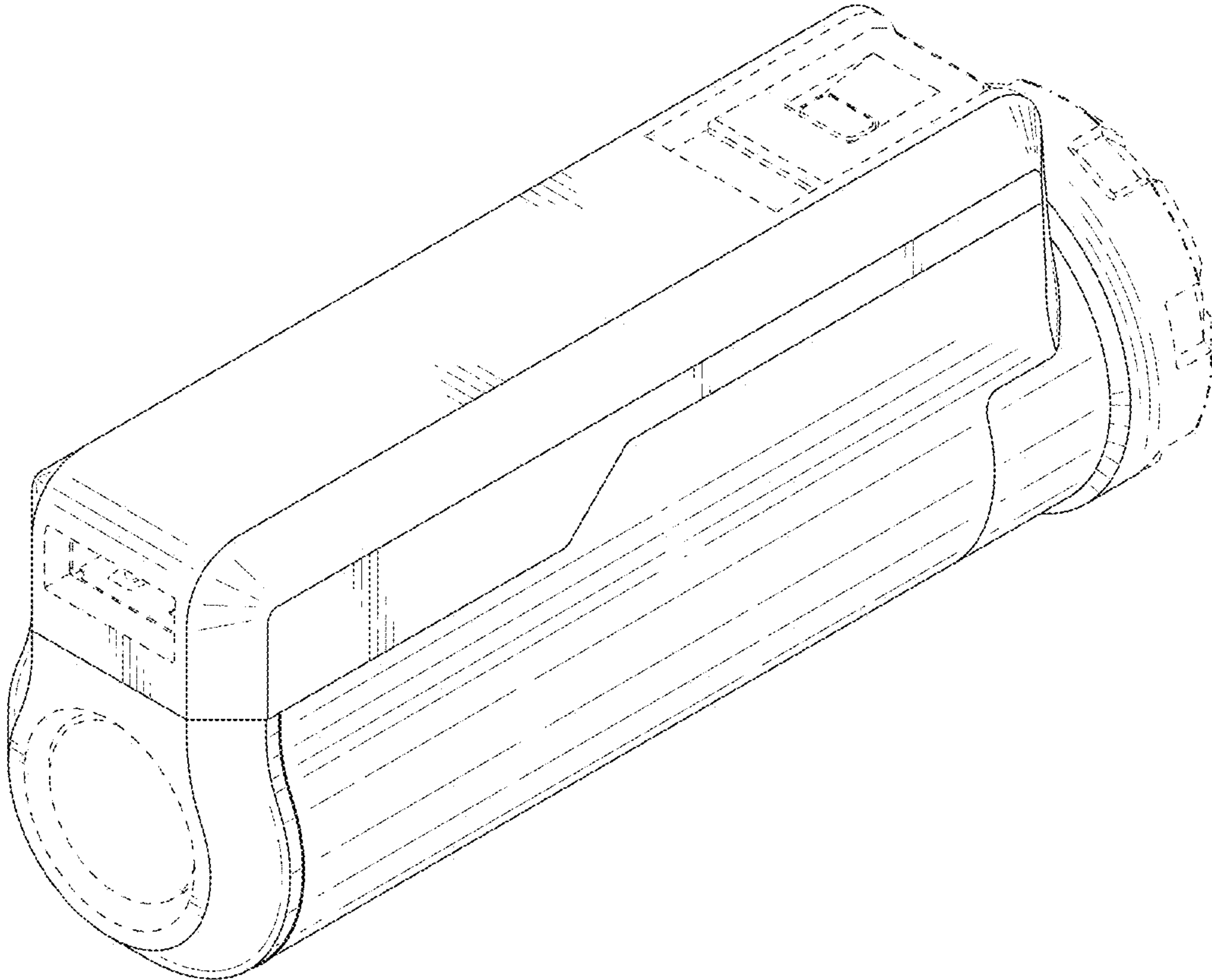


FIG. 1

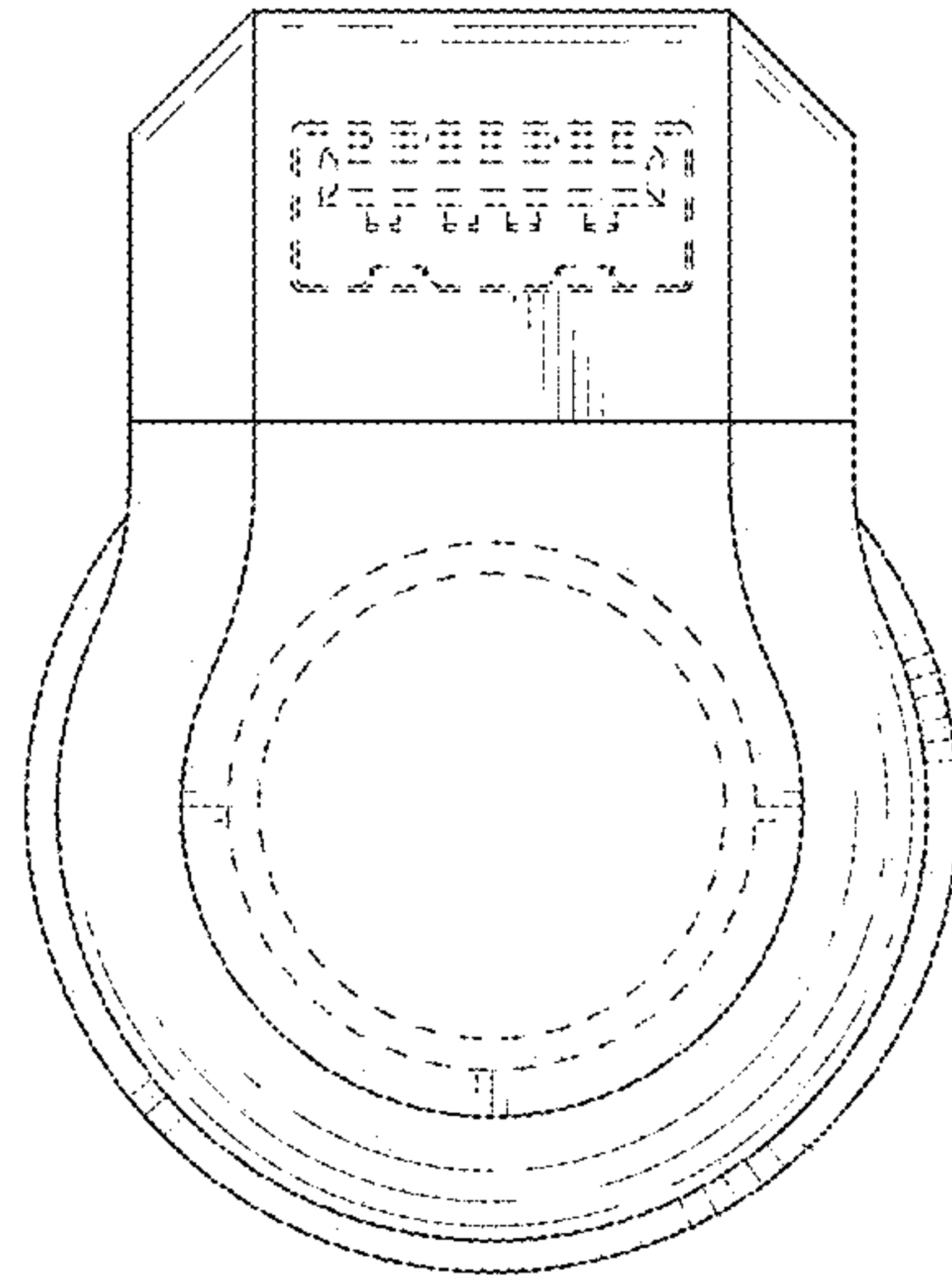


FIG. 2

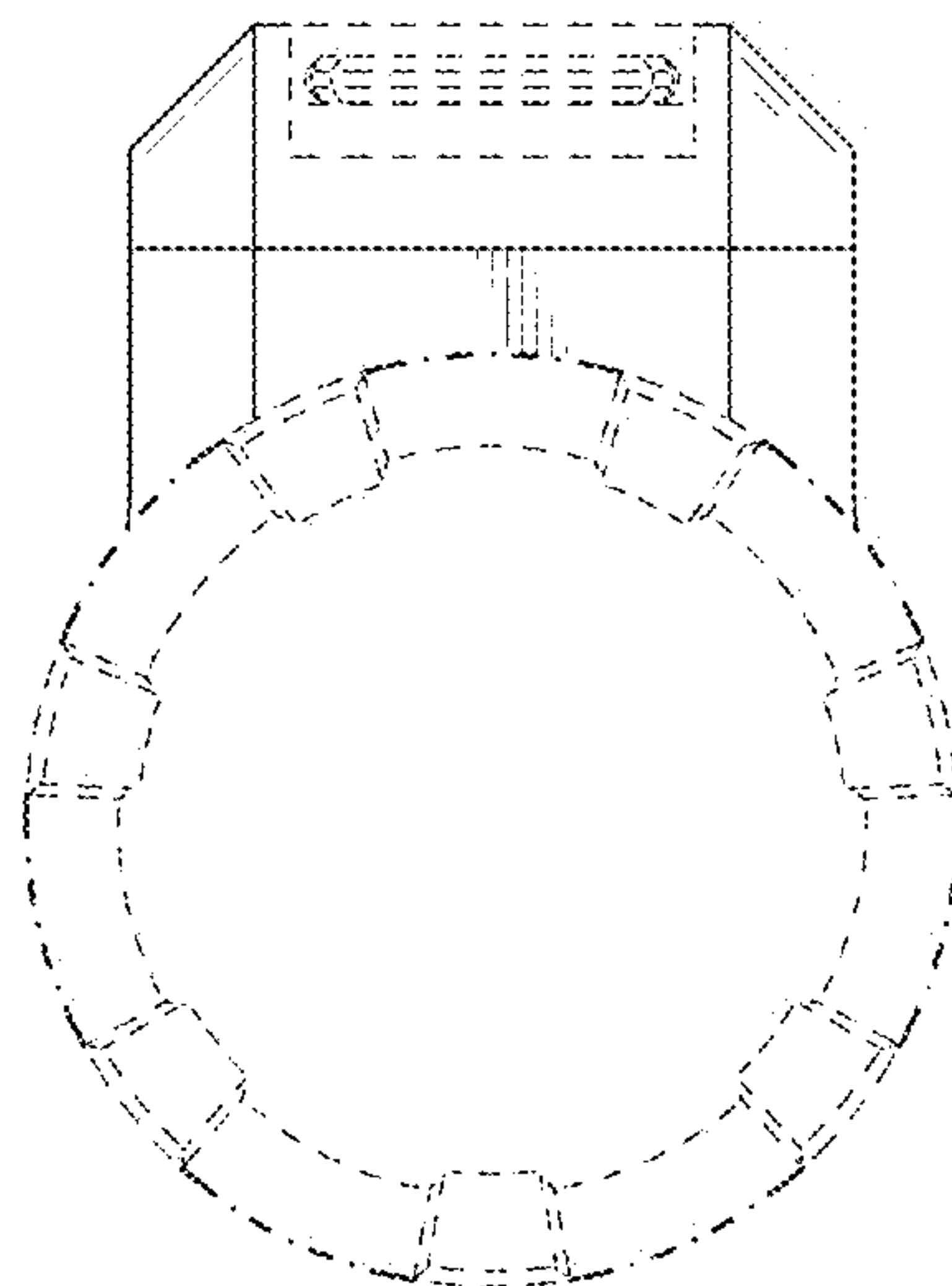


FIG. 3

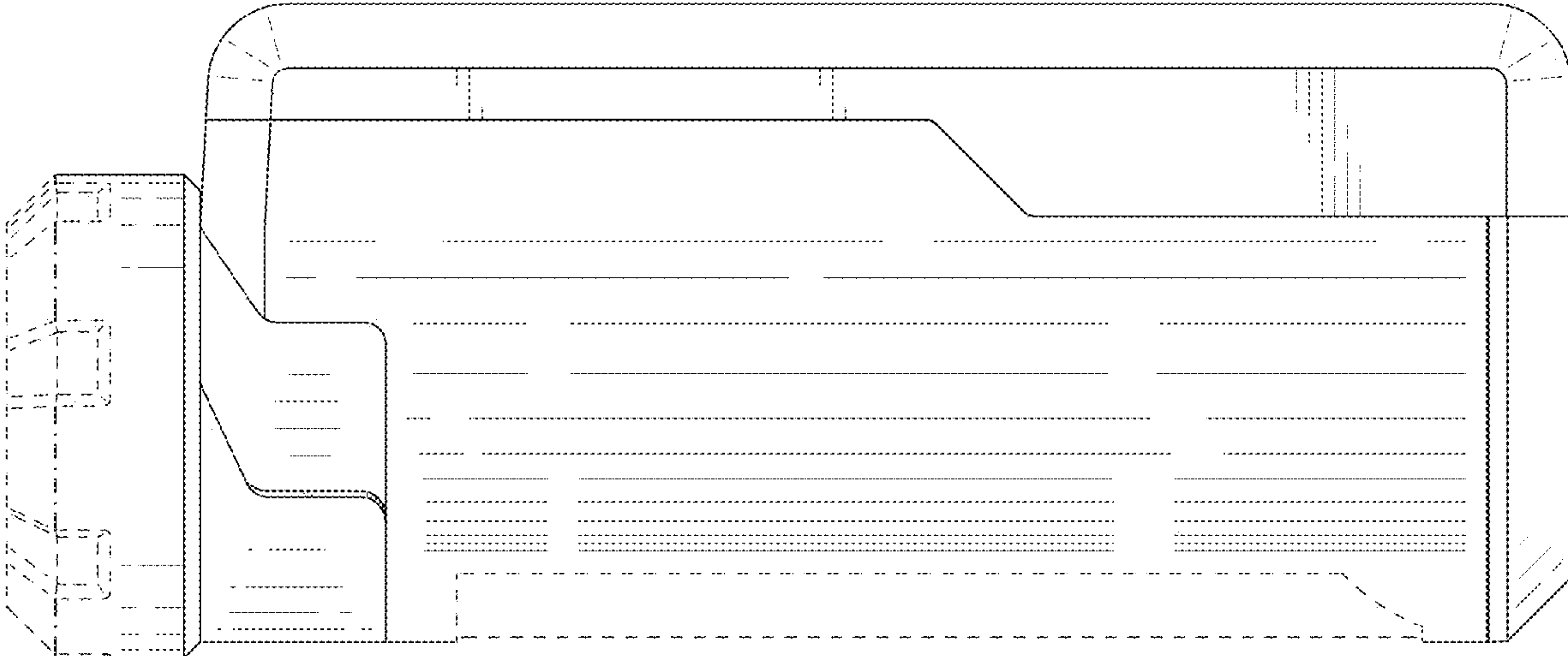


FIG. 4

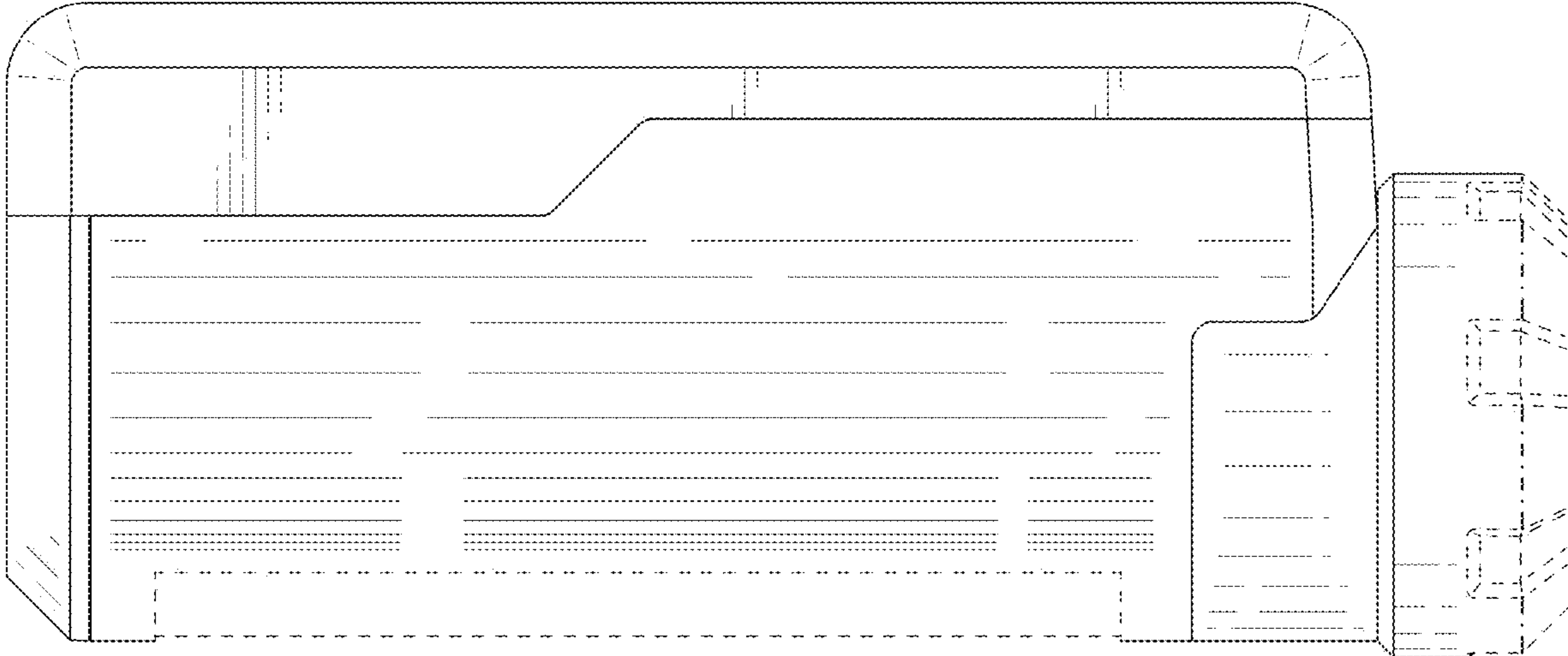


FIG. 5

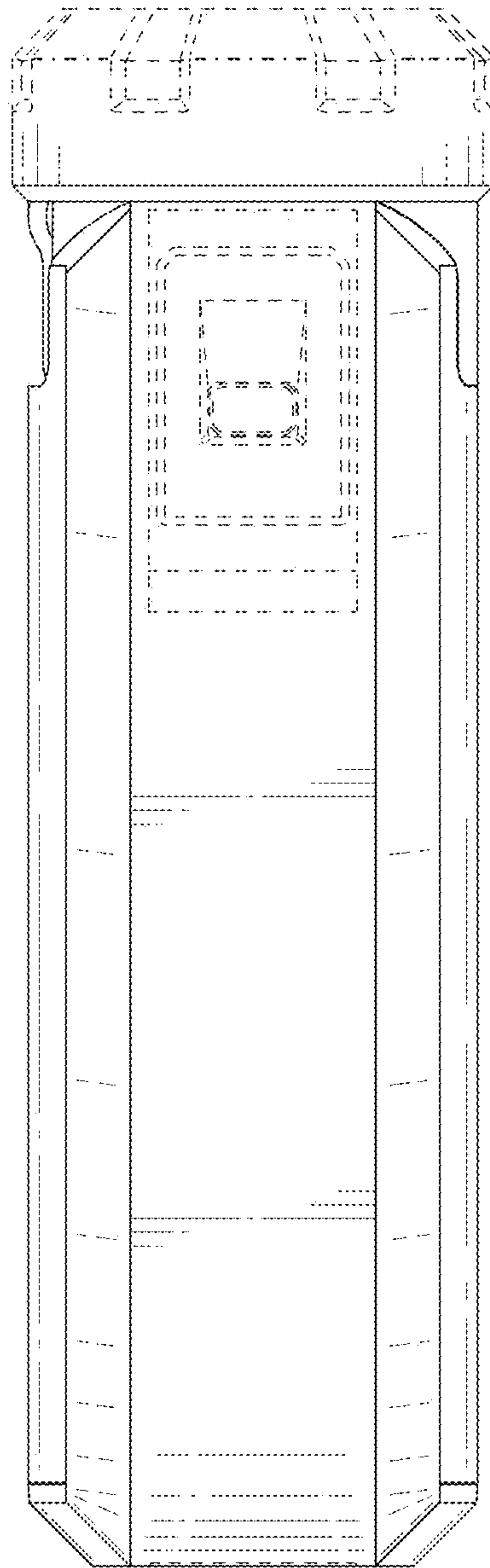


FIG. 6



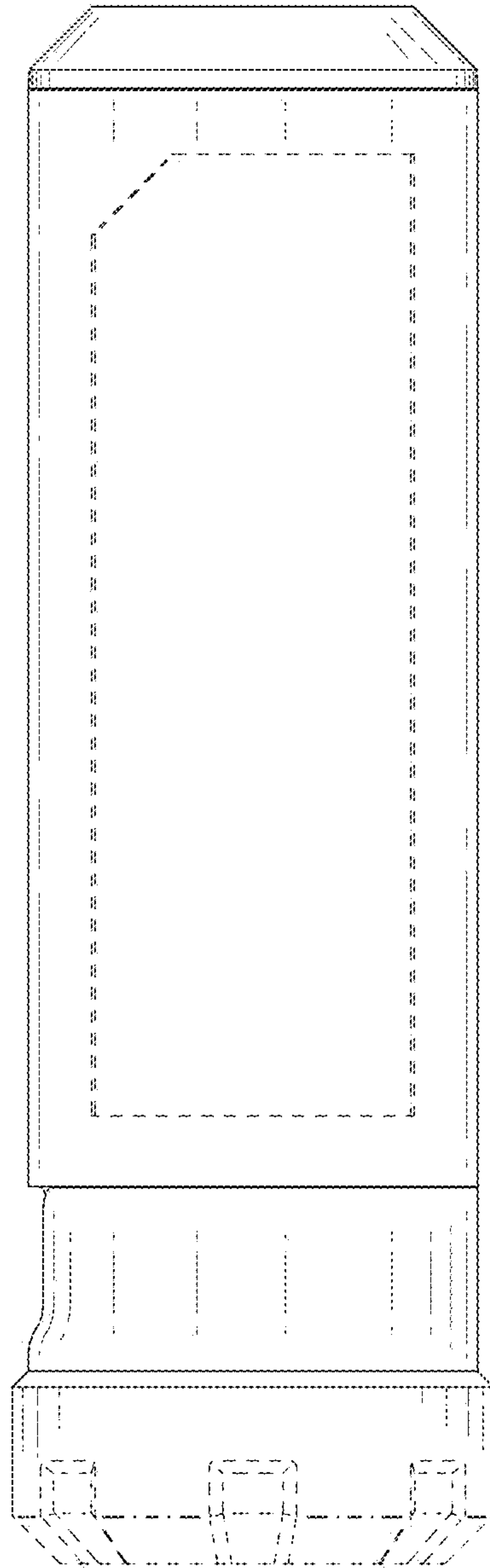


FIG. 7