



US00D931204S

(12) **United States Design Patent**
Liao

(10) **Patent No.:** **US D931,204 S**
(45) **Date of Patent:** **** Sep. 21, 2021**

(54) **CAR-MOUNTED WIRELESS CHARGER**

(71) Applicant: **Guangdong Gopod Group Holding Co., Ltd., Shenzhen (CN)**

(72) Inventor: **Zhuowen Liao, Shenzhen (CN)**

(73) Assignee: **Guangdong Gopod Group Holding Co., Ltd., Shenzhen (CN)**

(**) Term: **15 Years**

(21) Appl. No.: **29/671,140**

(22) Filed: **Nov. 23, 2018**

(30) **Foreign Application Priority Data**

Nov. 2, 2018 (CN) 201830618758.0

(51) **LOC (13) Cl.** **13-02**

(52) **U.S. Cl.**
USPC **D13/108; D14/253**

(58) **Field of Classification Search**
USPC D13/101, 103, 107, 108, 110, 118, 199;
D12/400, 415; D14/217, 240, 251, 253,
D14/432, 434, 447

CPC H02J 5/00; H02J 7/14; H04M 1/00
See application file for complete search history.

(56) **References Cited**

U.S. PATENT DOCUMENTS

8,099,138	B2 *	1/2012	Piekarz	B60R 11/0241 455/569.2
D784,923	S *	4/2017	Song	D13/108
D833,369	S *	11/2018	Lan	D12/415
D870,037	S *	12/2019	Lee	D13/107
D879,753	S *	3/2020	Boggs	D14/240
D889,454	S *	7/2020	Liu	D14/253
D892,787	S *	8/2020	Chen	D14/253
D894,829	S *	9/2020	Zhang	D13/108
D895,601	S *	9/2020	Liao	D14/253
D896,177	S *	9/2020	Zheng	D13/108

D900,087	S *	10/2020	Leeds-Frank	D14/253
2002/0159587	A1 *	10/2002	Chang	H04M 1/04 379/454
2017/0110902	A1 *	4/2017	Miller	H02J 7/0044

OTHER PUBLICATIONS

“Anker Wireless Charger”. Found online Jan. 29, 2021 at amazon.com. Reference dated May 22, 2016. Retrieved from <https://www.amazon.com/dp/B07H4CWTLJ>. (Year: 2016).*

“VOLPORT Car Phone Mount”. Found online Jan. 29, 2021 at amazon.com. Reference dated Sep. 29, 2017. Retrieved from https://www.amazon.com/Holder-VOLPORT-Player-Gravity-Holder-Car/dp/B076293XS9/ref=sr_1_59 (Year: 2017).*

(Continued)

Primary Examiner — Kendra Leslie Hamilton

Assistant Examiner — Amanda Christensen

(74) *Attorney, Agent, or Firm* — Wolf, Greenfield & Sacks, P.C.

(57) **CLAIM**

The ornamental design for a car-mounted wireless charger, as shown and described.

DESCRIPTION

FIG. 1 is a front view of a car-mounted wireless charger showing my new design;

FIG. 2 is a right side elevation view thereof;

FIG. 3 is a left side elevation view thereof;

FIG. 4 is a rear elevation view thereof;

FIG. 5 is a top plan view thereof;

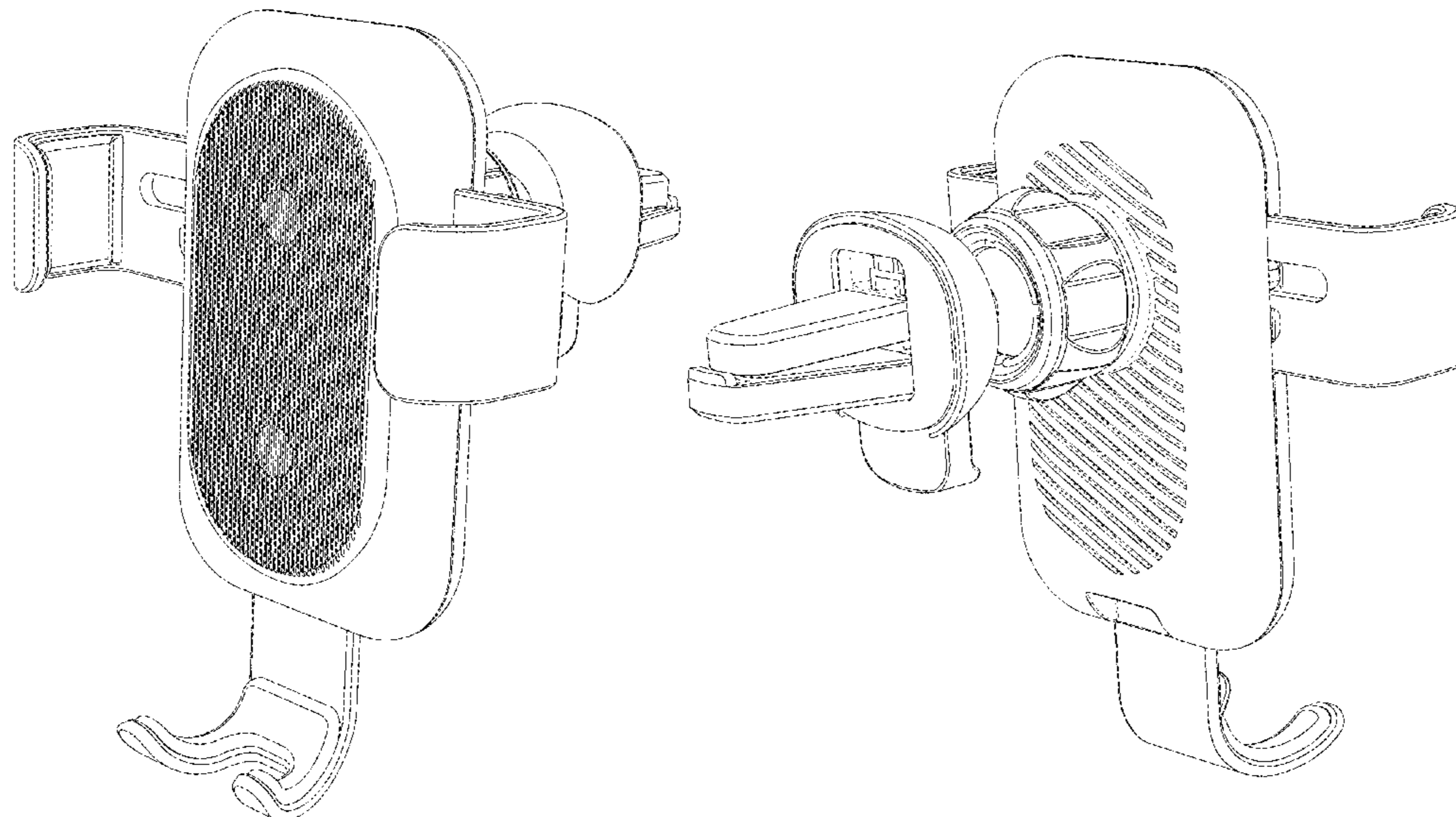
FIG. 6 is a bottom plan view thereof;

FIG. 7 is a top, front, left side perspective view thereof; and,

FIG. 8 is a top, rear, right side perspective view thereof.

The broken lines depict portions of the car-mounted wireless charger that form no part of the claimed design.

1 Claim, 8 Drawing Sheets



(56)

References Cited

OTHER PUBLICATIONS

“Mpow Car Phone Mount”. Found online Jan. 29, 2021 at amazon.com. Reference dated Apr. 21, 2017. Retrieved from <https://www.amazon.com/Mpow-Washable-Strong-One-Touch-Dashboard/dp/B06XC5DRS4>. (Year: 2017).*

* cited by examiner

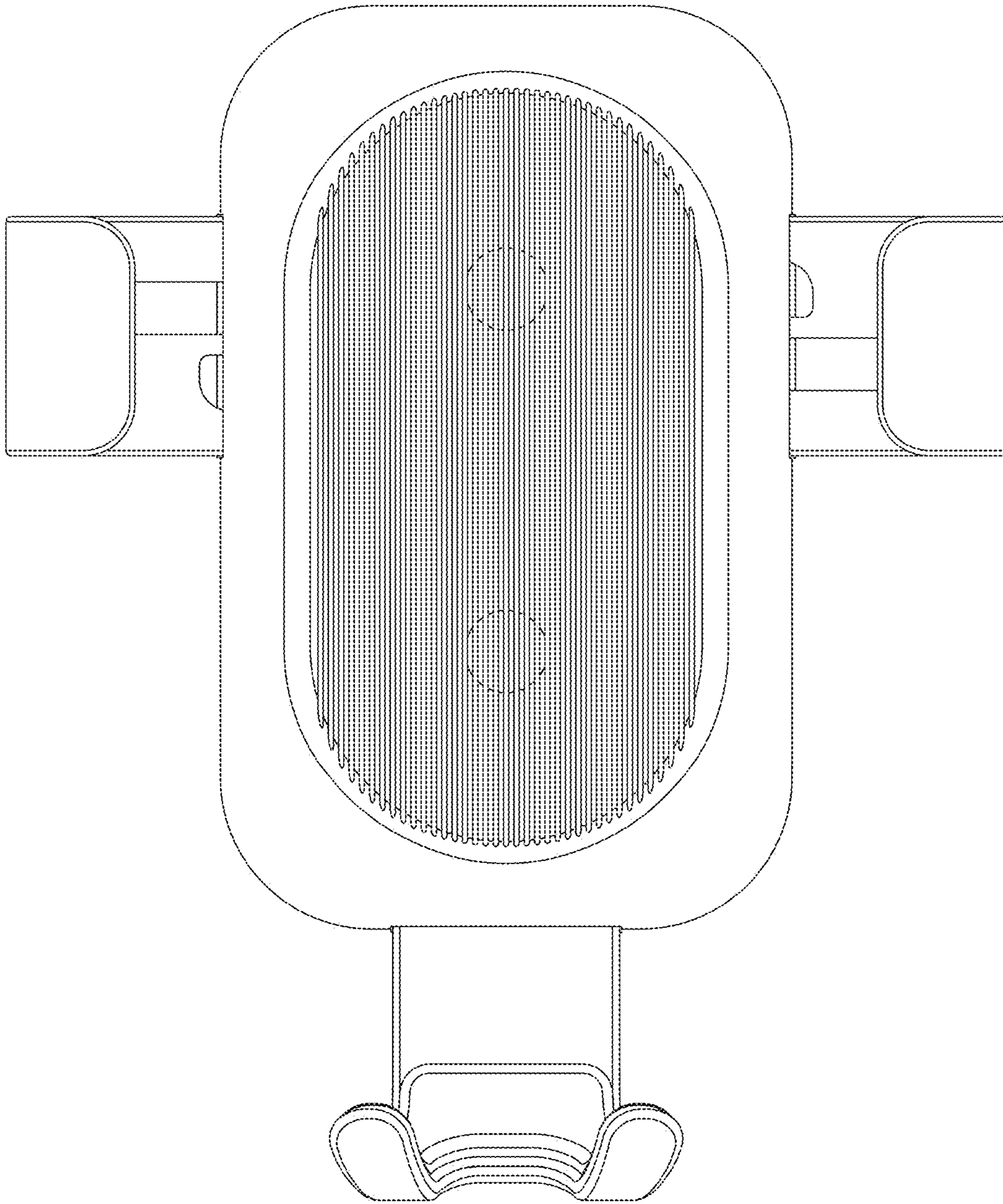


FIG. 1

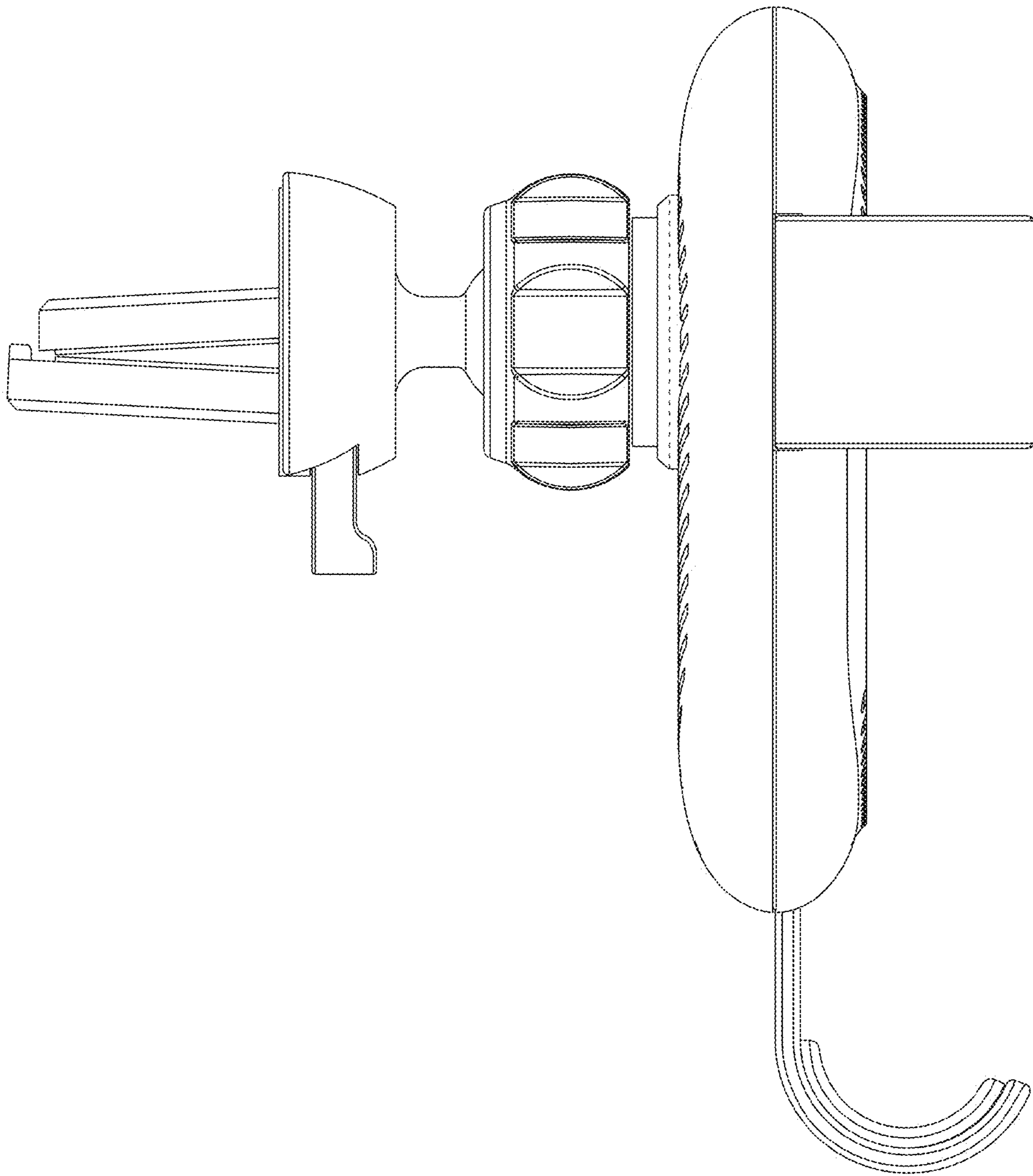


FIG. 2

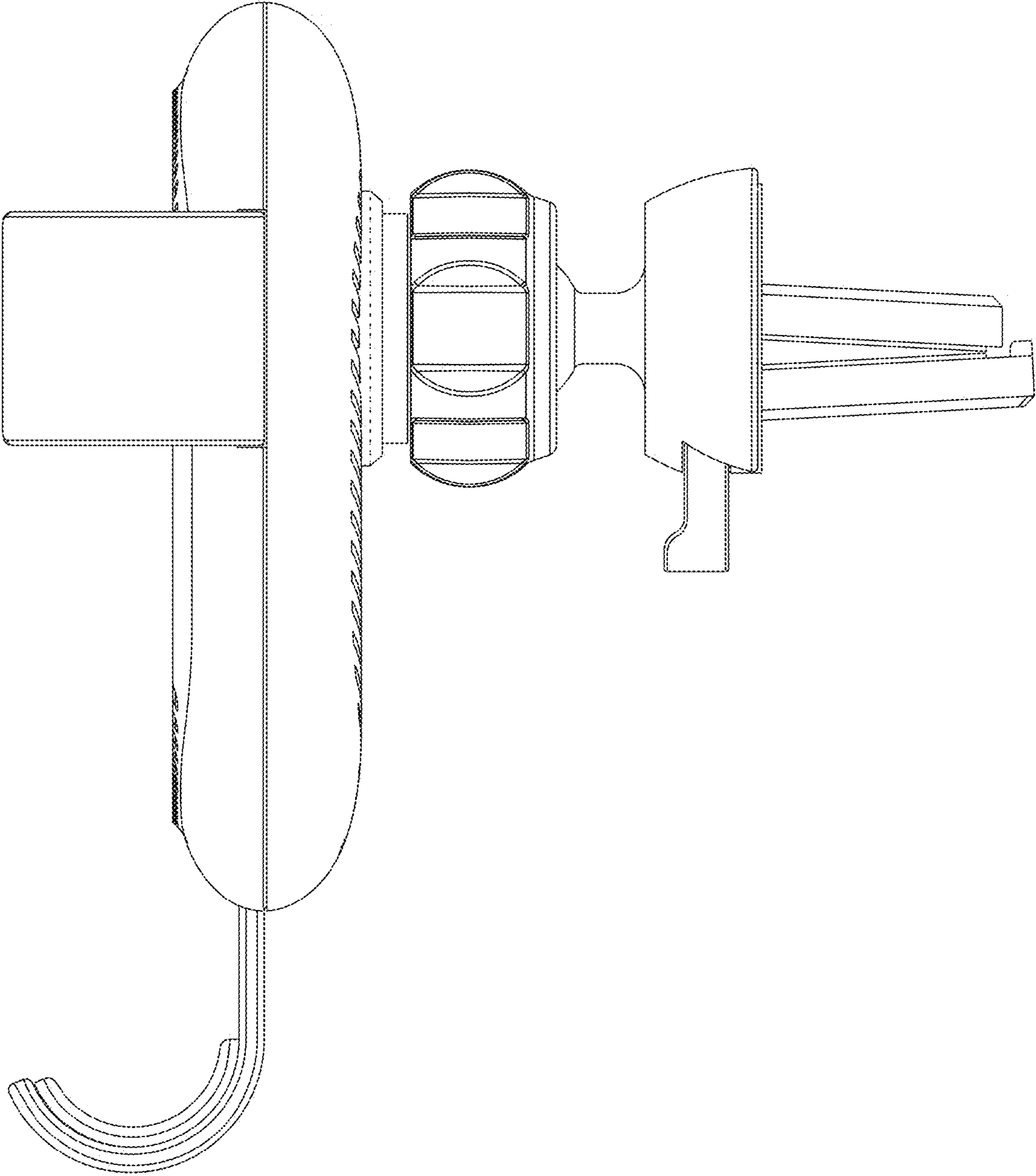


FIG.3

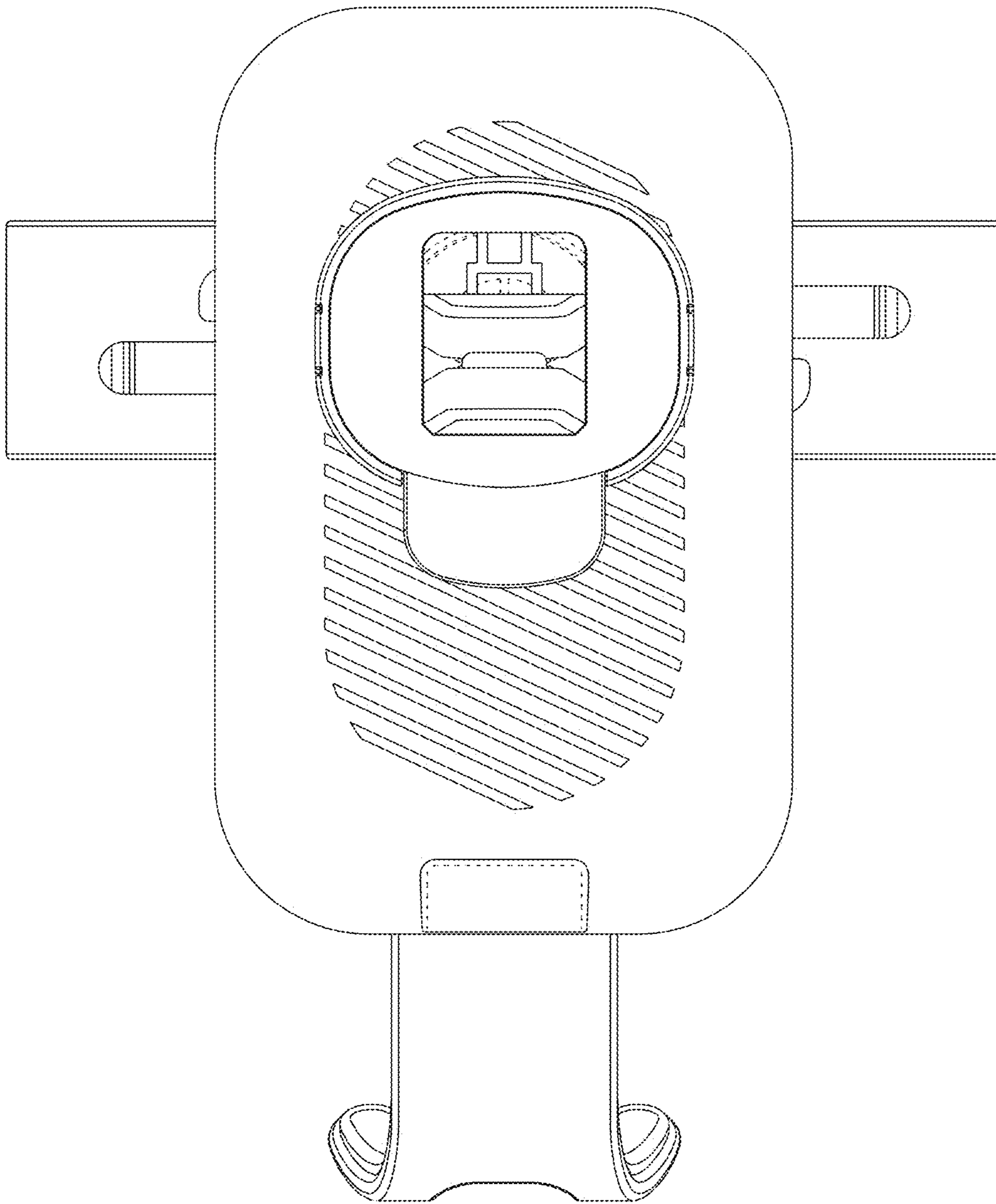


FIG.4

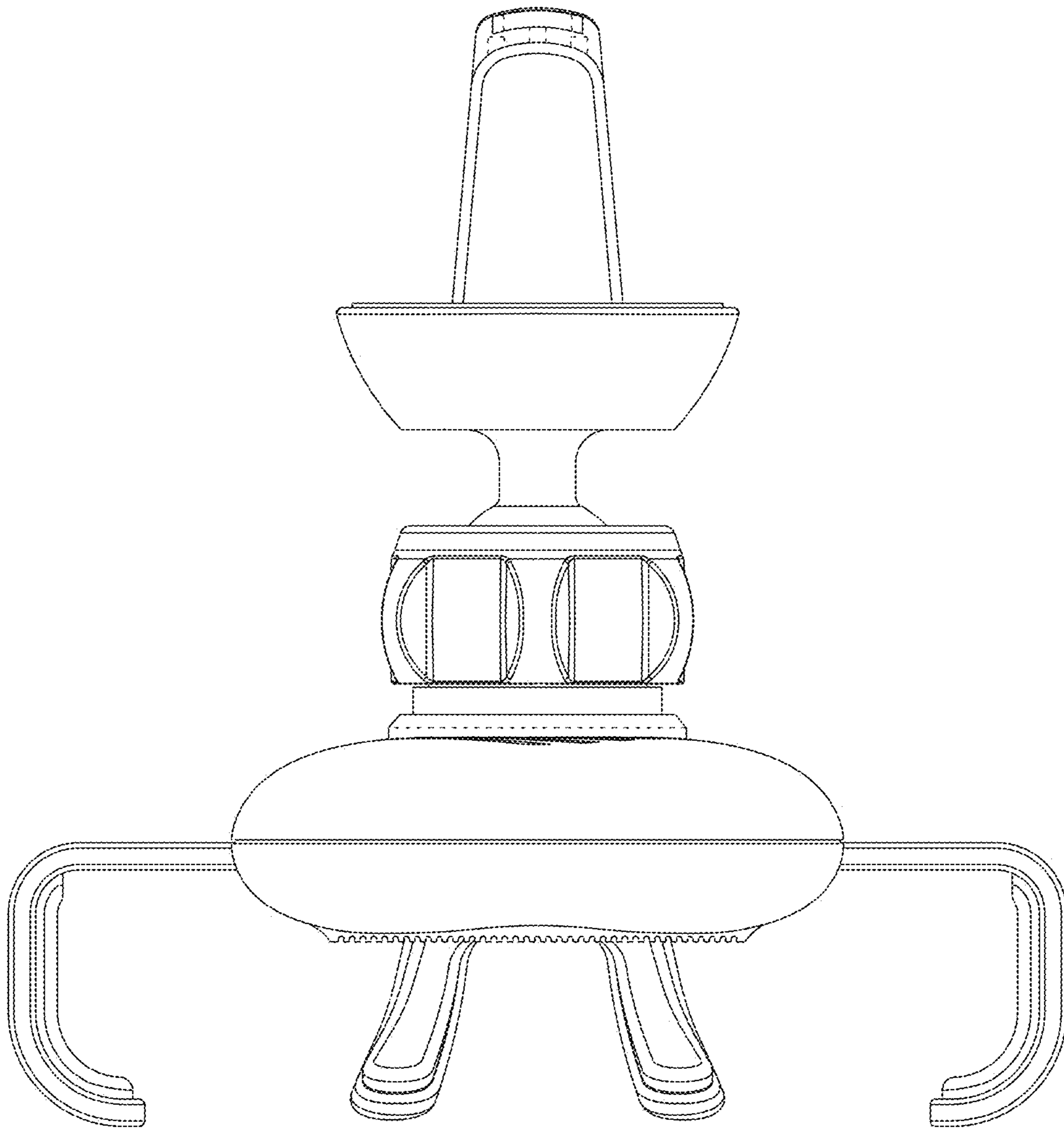


FIG. 5

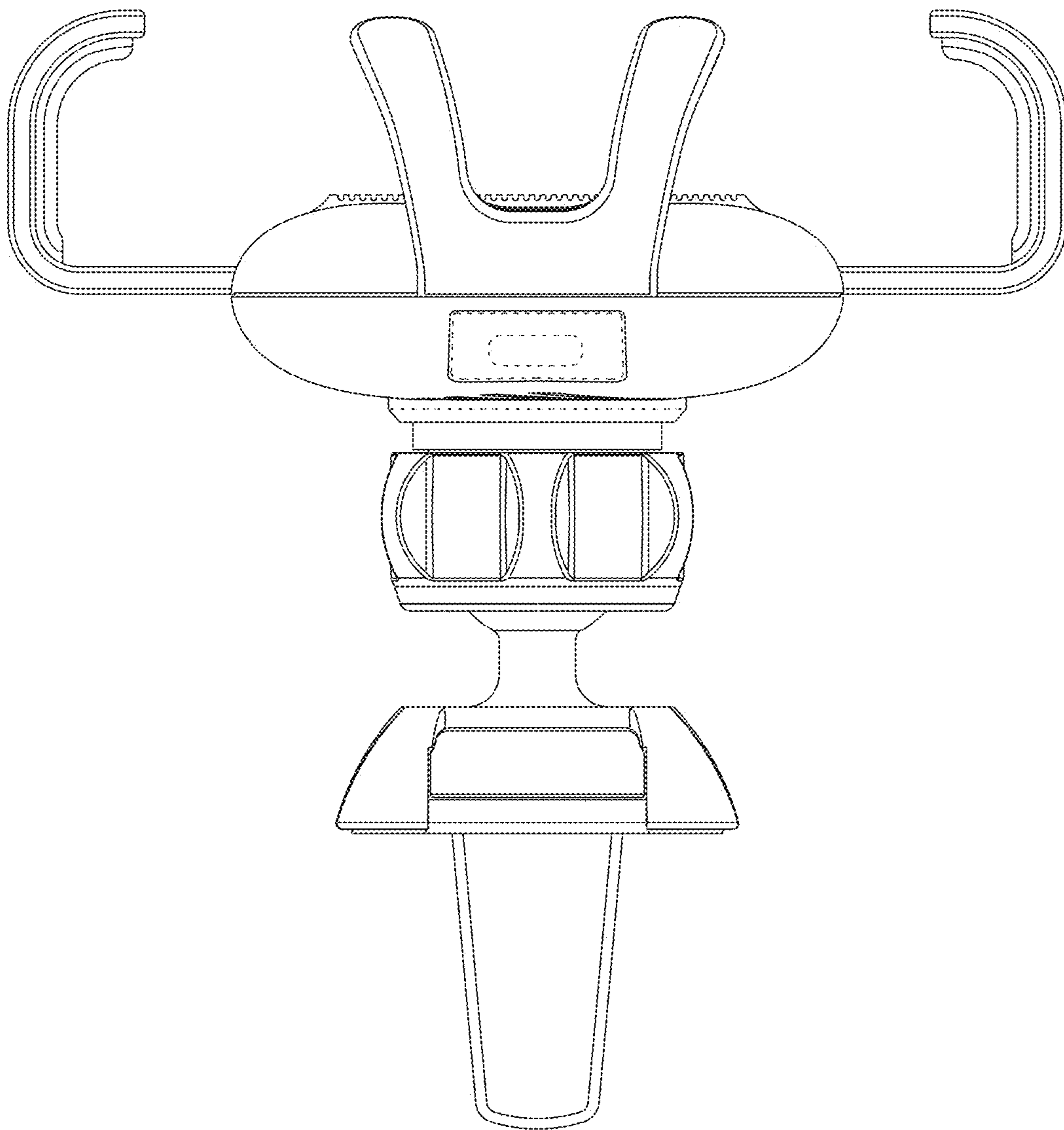


FIG. 6

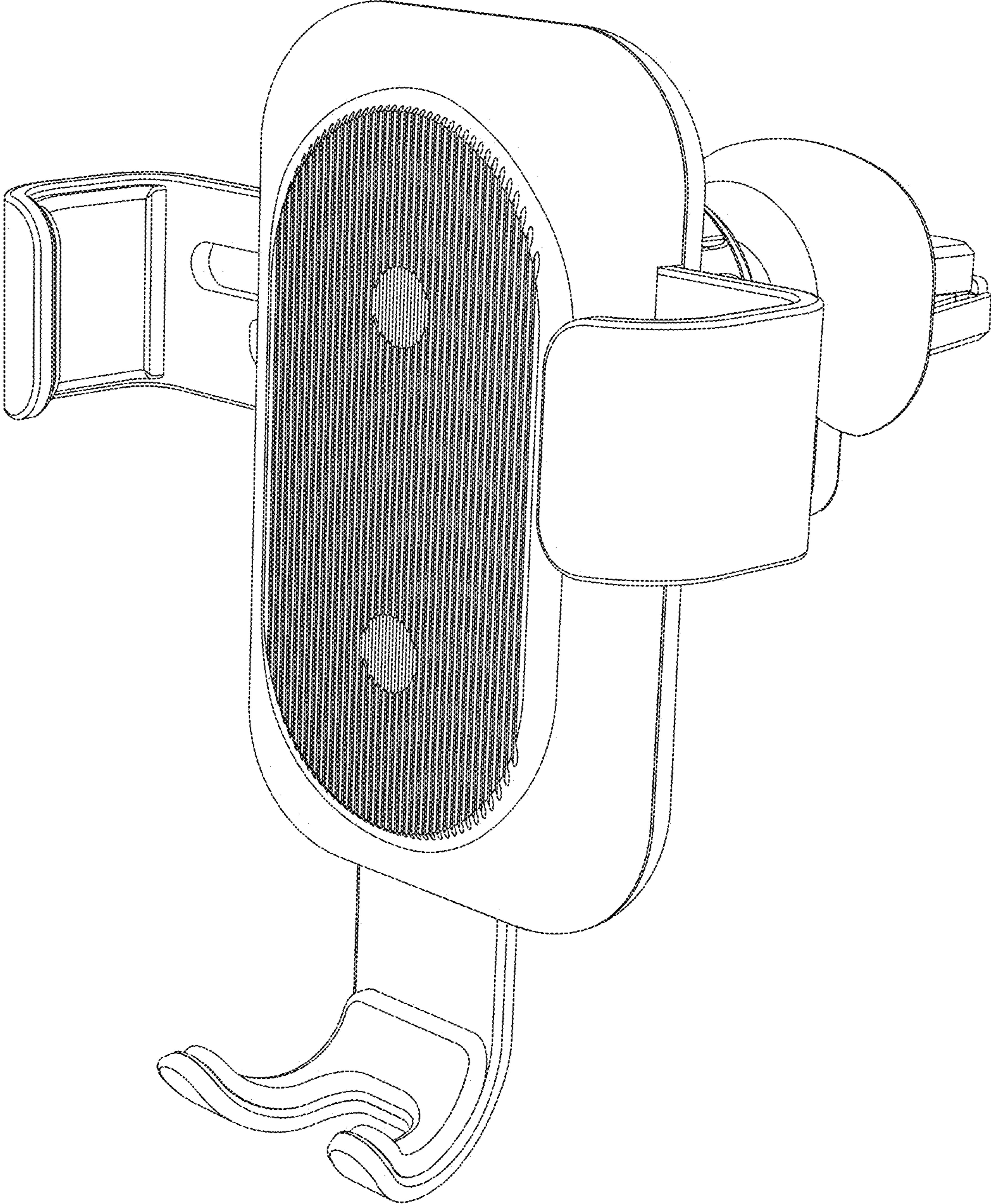


FIG. 7

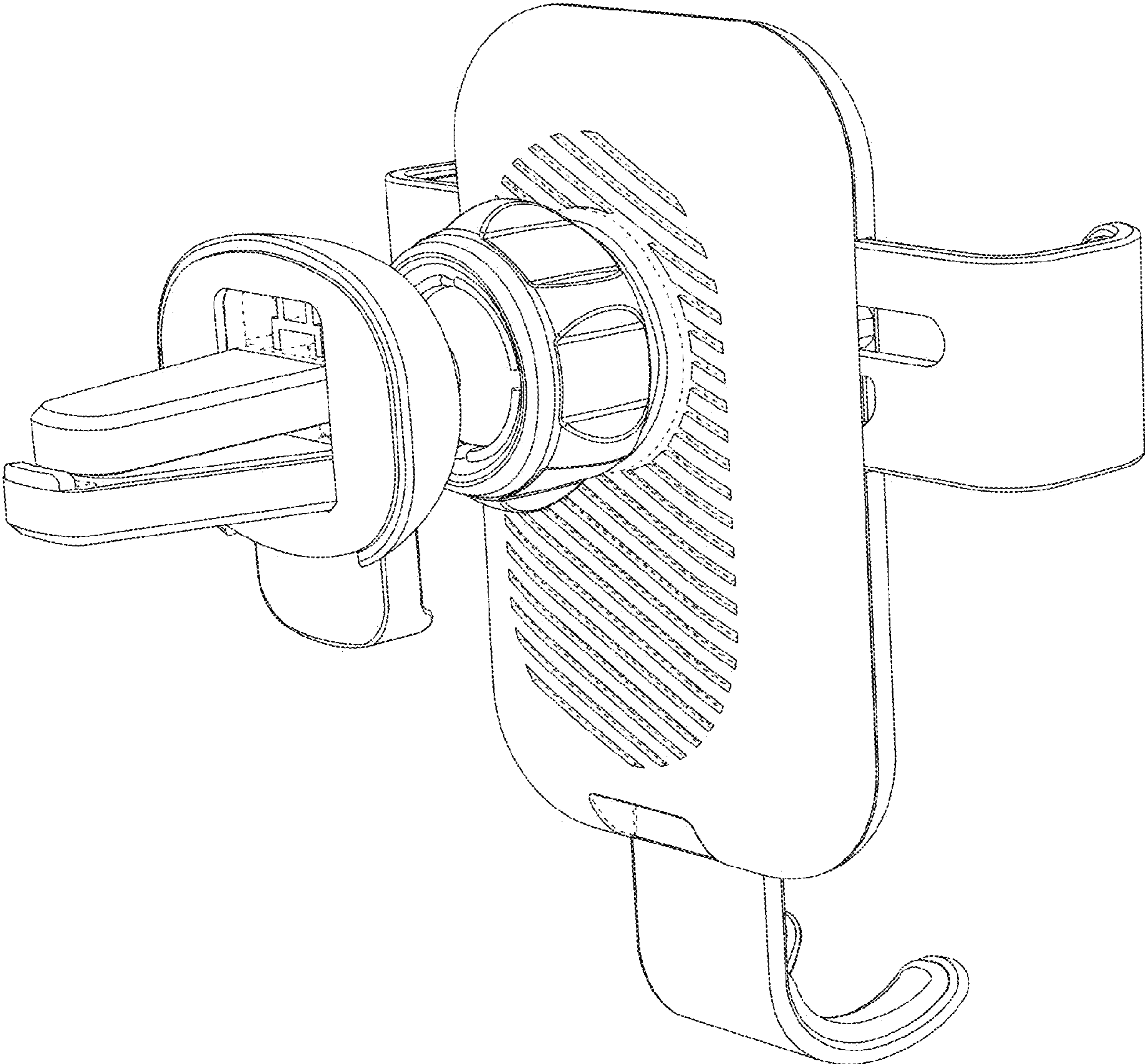


FIG. 8