



US00D931201S

(12) **United States Design Patent** (10) **Patent No.:** **US D931,201 S**
Xu (45) **Date of Patent:** **** Sep. 21, 2021**

(54) **BATTERY CHARGER**
(71) Applicant: **Guangdong BESTEK Medical Devices Co., Ltd.**, Shenzhen (CN)
(72) Inventor: **Xinhua Xu**, Shenzhen (CN)
(73) Assignee: **GUANGDONG BESTEK MEDICAL DEVICES CO., LTD.**, Shenzhen (CN)
(**) Term: **15 Years**
(21) Appl. No.: **29/713,302**
(22) Filed: **Nov. 15, 2019**

(30) **Foreign Application Priority Data**
Sep. 9, 2019 (CN) 201930503813.6
(51) **LOC (13) Cl.** **13-02**
(52) **U.S. Cl.**
USPC **D13/107; D13/110**
(58) **Field of Classification Search**
USPC D13/103, 107, 108, 109, 110, 118, 119, D13/199; D14/251, 253, 432, 433, 434; D27/172, 183, 193, 194
CPC H01M 2220/00; H02J 50/00; H02J 15/00
See application file for complete search history.

(56) **References Cited**
U.S. PATENT DOCUMENTS
D650,738 S * 12/2011 Leung D13/107
D656,094 S * 3/2012 Wu D27/189
D660,229 S * 5/2012 Tseng D13/110
D678,187 S * 3/2013 Huang D13/103
D688,200 S * 8/2013 Shin D13/107
D848,419 S * 5/2019 Jun D14/356
D873,214 S * 1/2020 Wu D13/108
D879,716 S * 3/2020 Chuang D13/110
D883,197 S * 5/2020 Doucet D13/107
D902,852 S * 11/2020 Lin D13/108

2014/0002009 A1* 1/2014 Choi H02J 7/00 320/107
2016/0049816 A1* 2/2016 Yang G06F 1/263 320/107
2017/0012448 A1* 1/2017 Miller H02J 7/342

OTHER PUBLICATIONS

“BINZET Power Supply”. Found online Jun. 2, 2021 at amazon.com. Reference dated Nov. 22, 2013. Retrieved from <https://us.amazon.com/BINZET-100-240V-Converter-Adapter-Transformer/dp/B00GUBVI9K>. (Year: 2013).*
“Xbox One Power Supply”. Found online Jun. 2, 2021 at amazon.com. Reference dated Aug. 12, 2018. Retrieved from https://www.amazon.com/Xbox-One-Power-Supply-Replacement/dp/B07GD8TN2M/ref=sr_1_1_sspa. (Year: 2018).*
“Dreamgear Xbox 360 Power Brick”. Found online Jun. 2, 2021 at amazon.com. Reference dated Aug. 30, 2014. Retrieved from <https://www.amazon.in/Dreamgear-Power-Brick-Rechargeable-Battery/dp/B00ATLLKFO>. (Year: 2014).*

* cited by examiner

Primary Examiner — George D. Kirschbaum
Assistant Examiner — Amanda Christensen

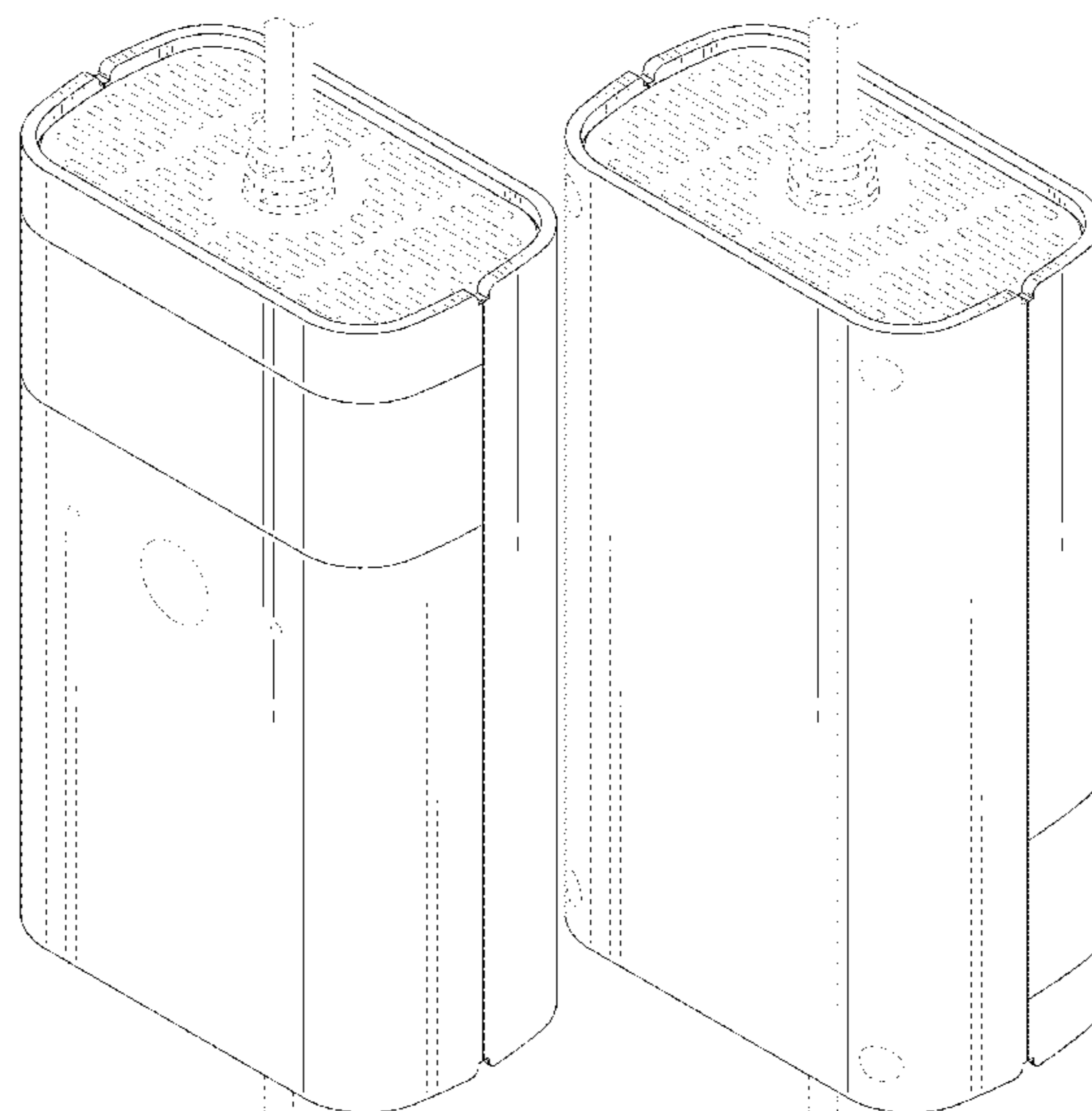
(57) **CLAIM**

The ornamental design for a battery charger, as shown and described.

DESCRIPTION

FIG. 1 is a front, right side perspective view of a battery charger, showing my new design;
FIG. 2 is a rear, right side perspective view thereof;
FIG. 3 is a front elevational view thereof;
FIG. 4 is a rear elevational view thereof;
FIG. 5 is a left side elevational view thereof;
FIG. 6 is a right side elevational view thereof;
FIG. 7 is a top plan view thereof; and,
FIG. 8 is a bottom plan view thereof.
The broken lines in the drawings are for the purpose of illustrating portions of the battery charger that form no part of the claimed design.

1 Claim, 8 Drawing Sheets



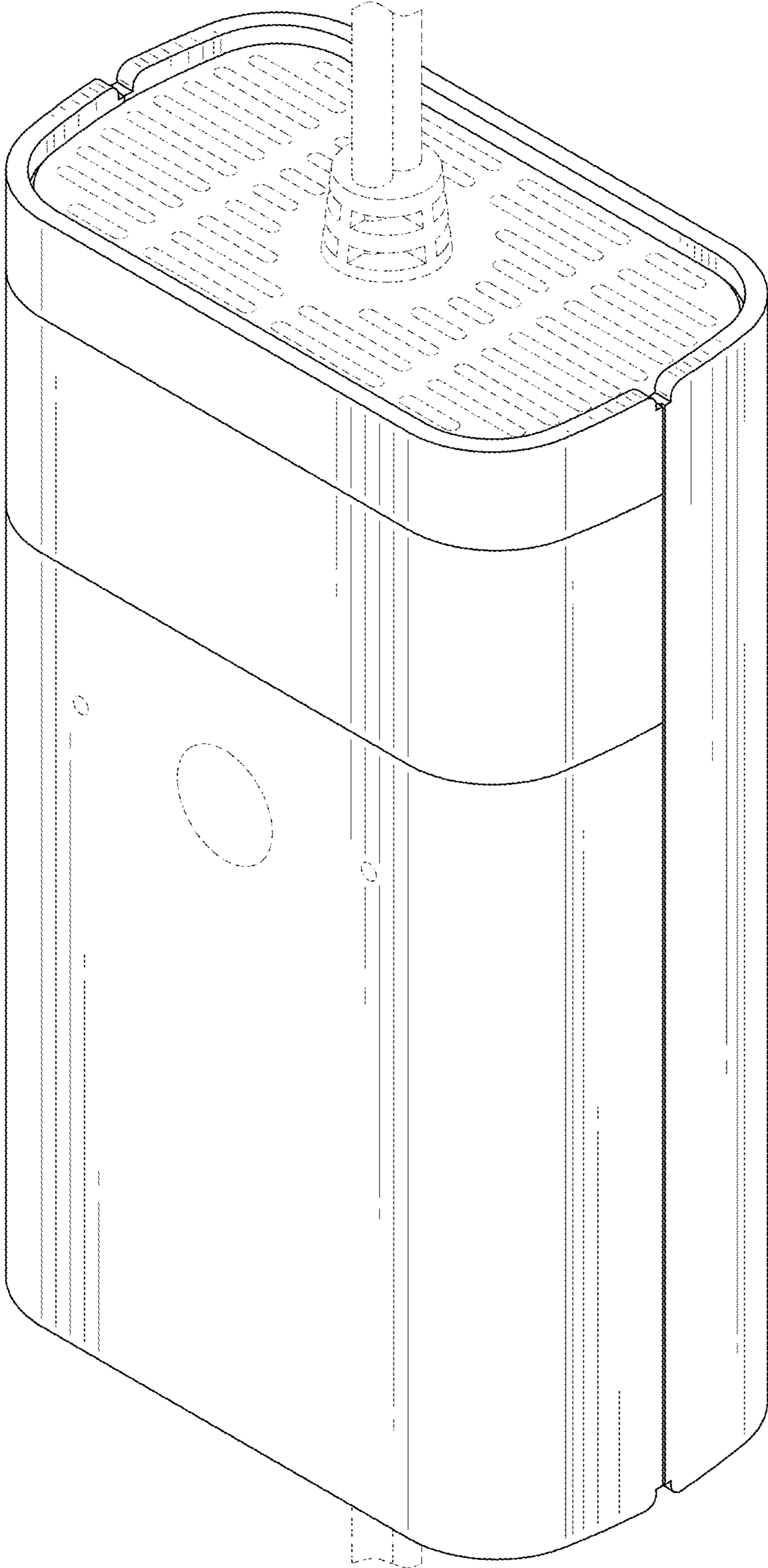


FIG. 1

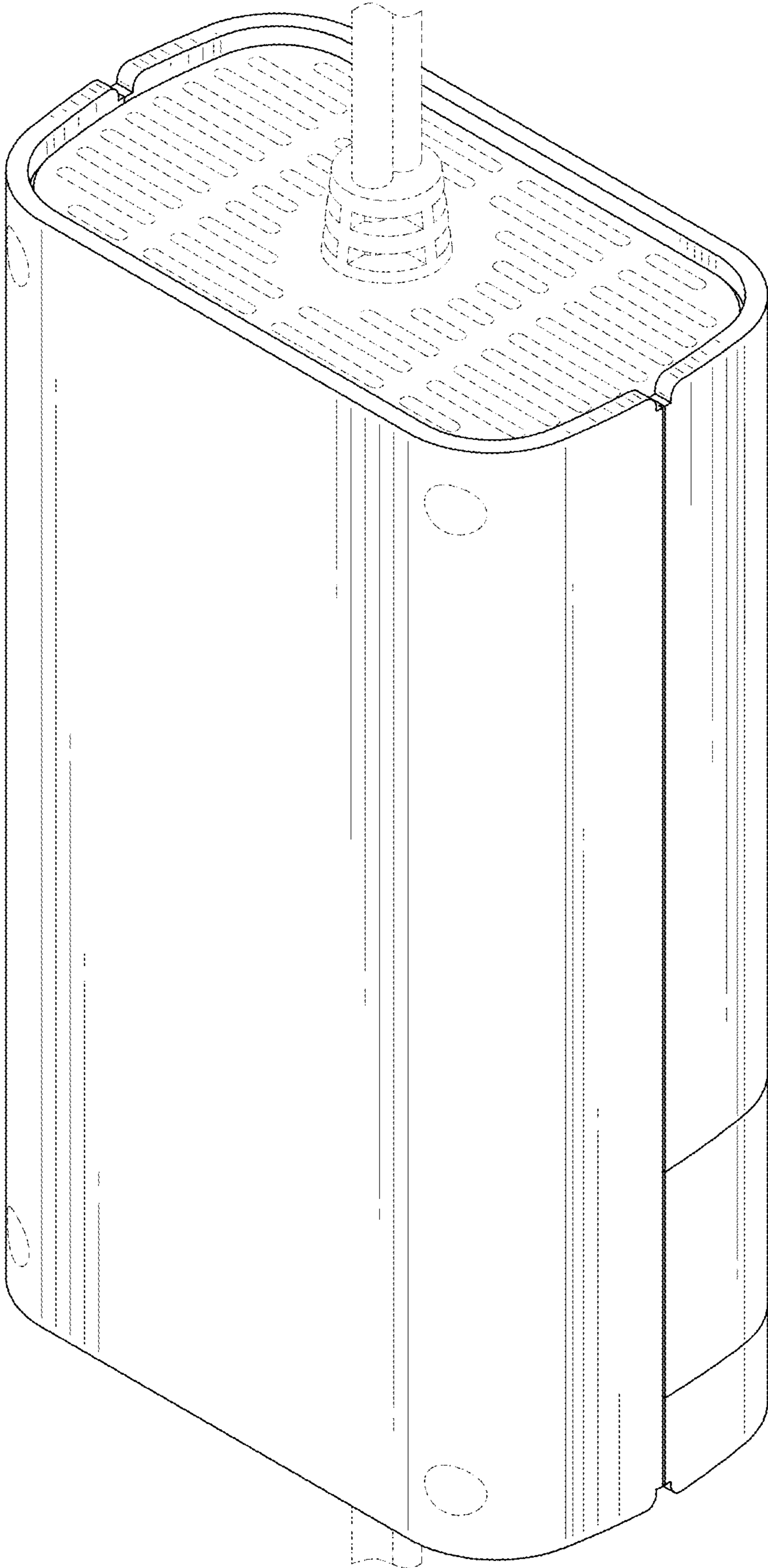


FIG. 2

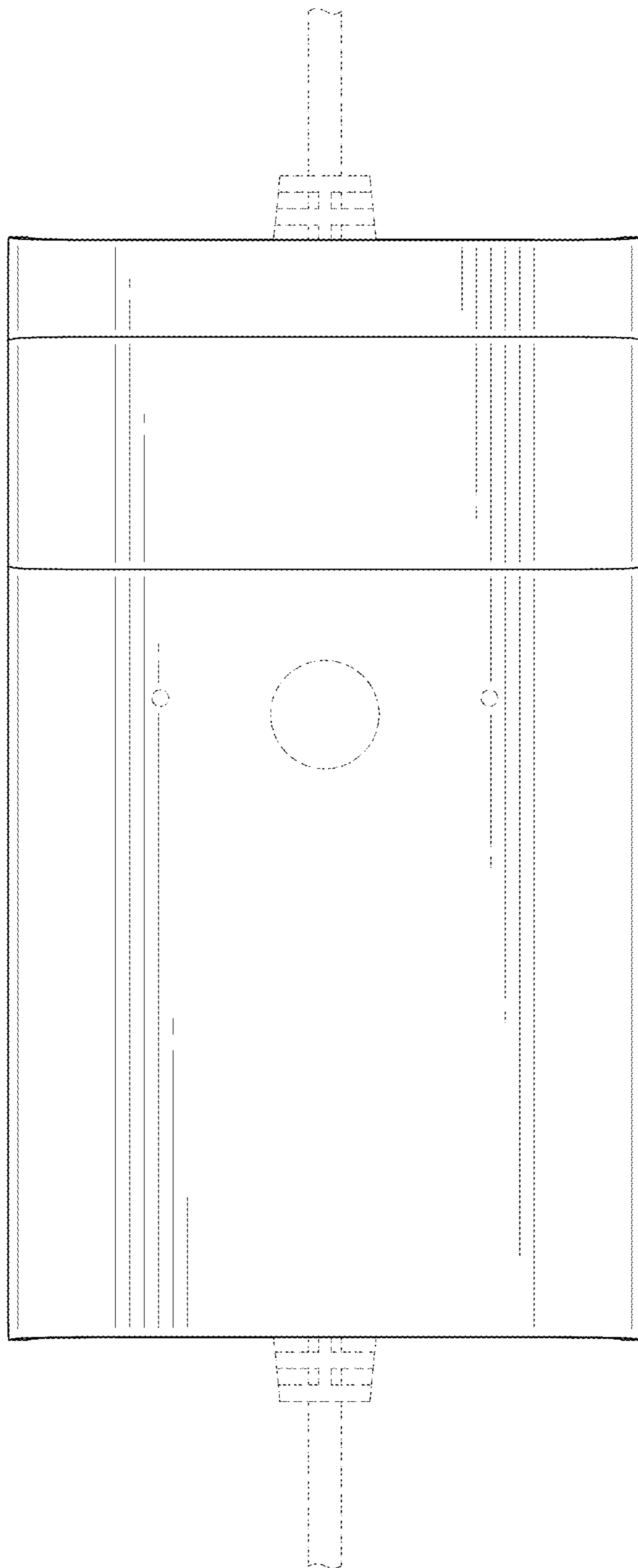


FIG. 3

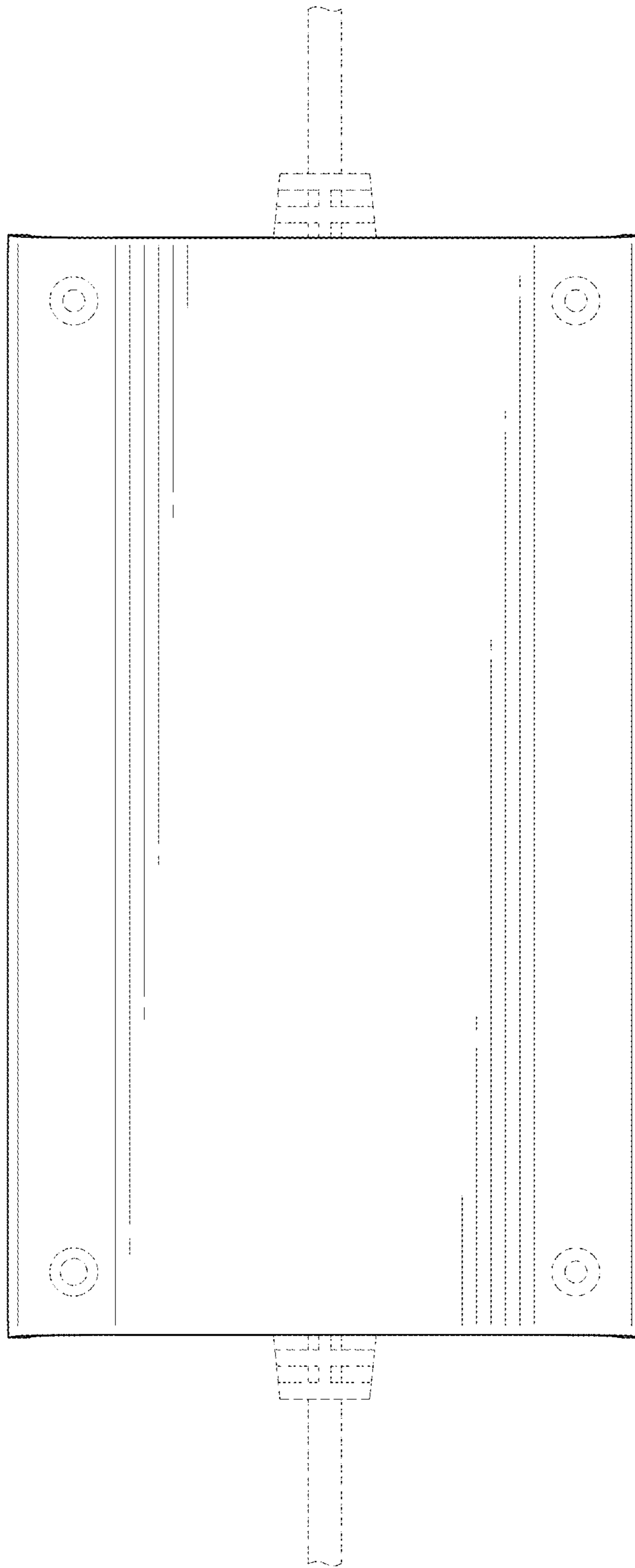


FIG. 4

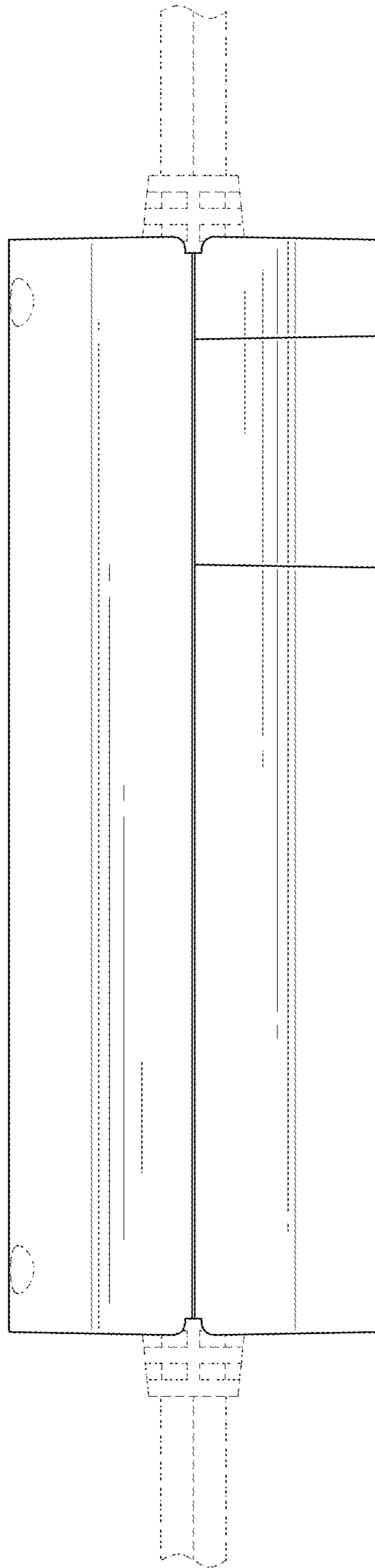


FIG. 5

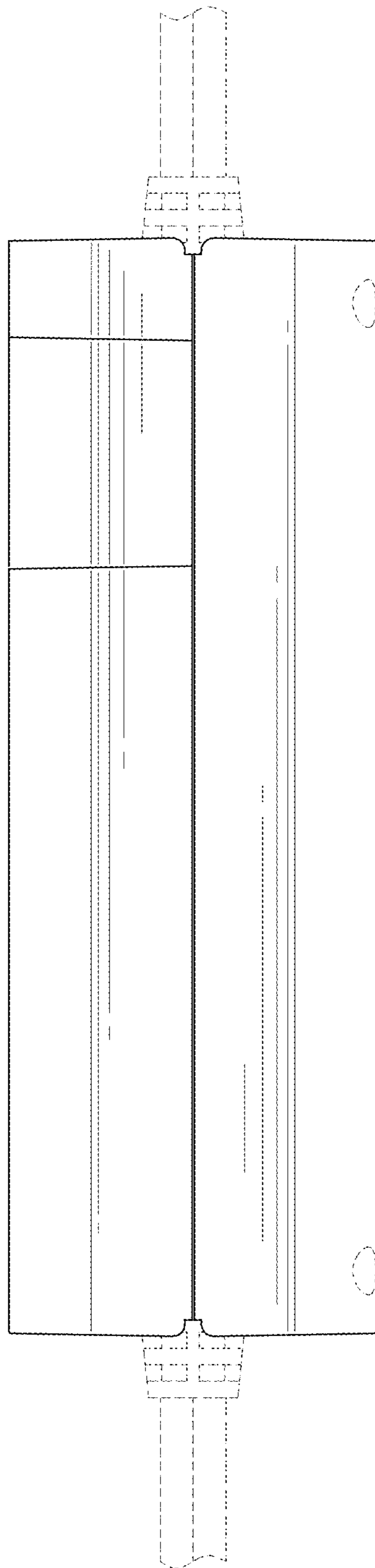


FIG. 6

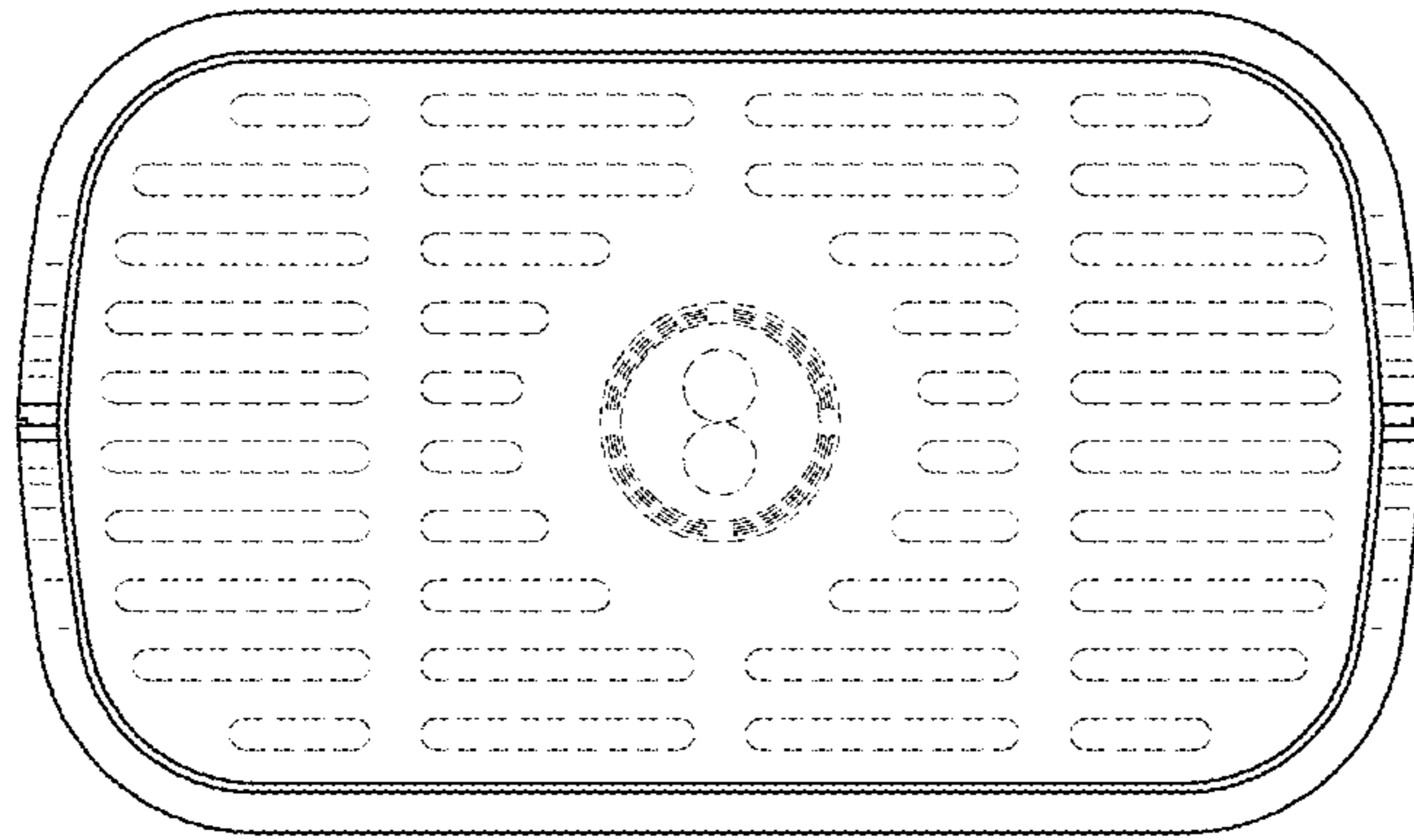


FIG. 7

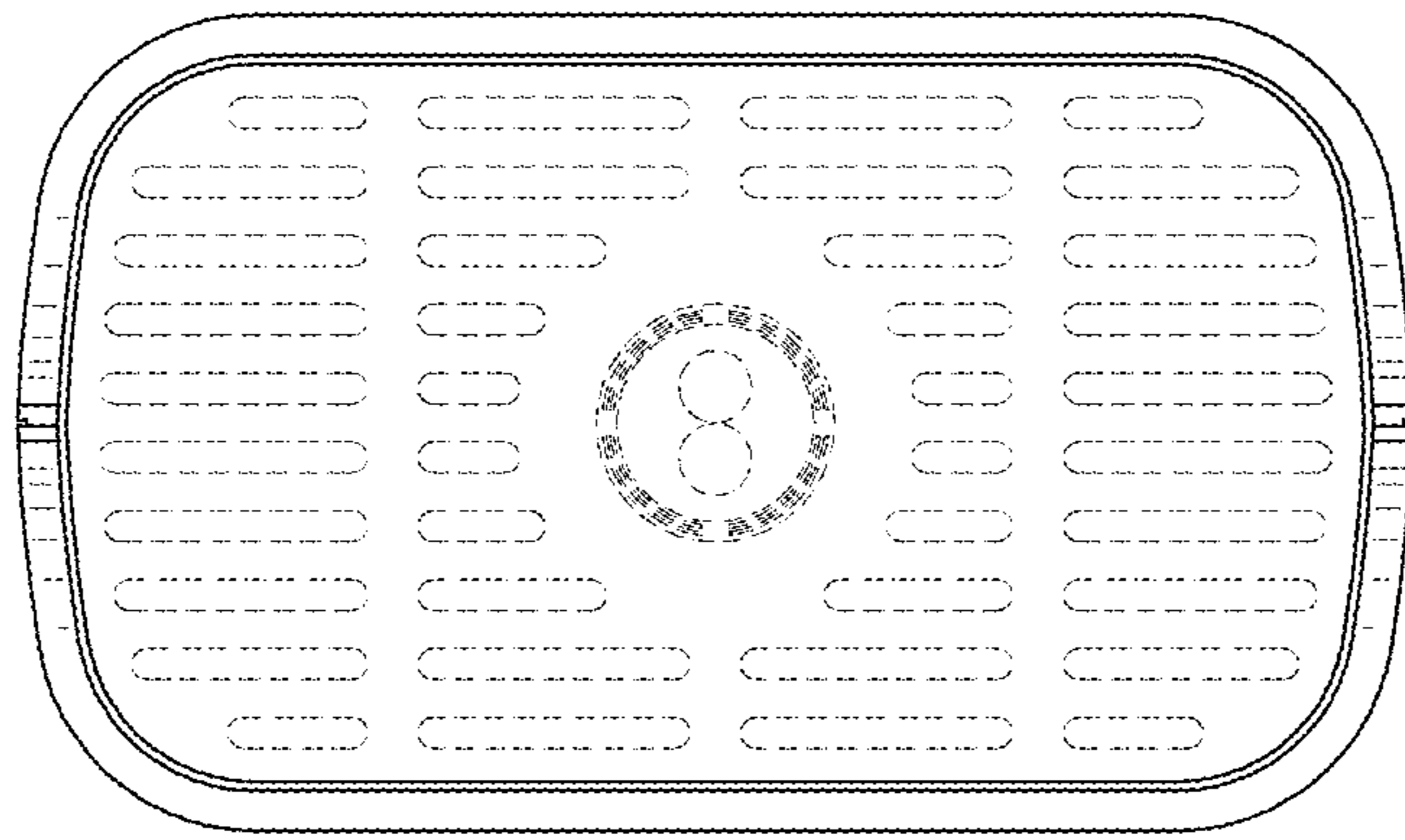


FIG. 8