



US00D931200S

(12) **United States Design Patent**
Khokimovich

(10) **Patent No.:** **US D931,200 S**

(45) **Date of Patent:** **** Sep. 21, 2021**

- (54) **BATTERY CHARGING STATION**
- (71) Applicant: **Juize Inc.**, Los Angeles, CA (US)
- (72) Inventor: **Mukhabbatov Nasim Khokimovich**,
Los Angeles, CA (US)
- (73) Assignee: **Juize, Inc.**, Los Angeles, CA (US)
- (**) Term: **15 Years**
- (21) Appl. No.: **29/652,109**
- (22) Filed: **May 12, 2020**
- (51) **LOC (13) Cl.** **13-02**
- (52) **U.S. Cl.**
USPC **D13/107**
- (58) **Field of Classification Search**
USPC D13/103, 107, 108, 110, 118, 119, 122,
D13/184, 199
CPC Y02E 60/12; Y02E 60/122; Y02E 60/124;
Y02E 60/50; H02J 7/025; H02J 7/0042;
H02J 7/0044; H02J 7/0045; H02J 7/0003;
H01R 13/6675; H01M 2/1022; H01M
2/1055; H01M 10/44; H01M 10/46;
H01M 10/425; B60L 11/182
See application file for complete search history.

- D729,550 S * 5/2015 Williams D6/675
- D768,077 S * 10/2016 Wahl D13/108
- D860,937 S * 9/2019 Slaatto D13/108
- D879,479 S * 3/2020 Pelletier-Sutton D5/63
- 10,575,498 B2 * 3/2020 Roetheli A23K 50/42

OTHER PUBLICATIONS

Vendingmarketwatch.com: Electron Announces New Program . . .
Published Oct. 1, 2020. Retrieved from the internet at <https://www.vendingmarketwatch.com/technology/news/21156702/electron-announces-new-program-no-money-down-100-to-operators>, May 7, 2021. 1 page. (Year: 2020).*

* cited by examiner

Primary Examiner — Christy Nemeth

(57) **CLAIM**

The ornamental design for a battery charging station, substantially as shown and described.

DESCRIPTION

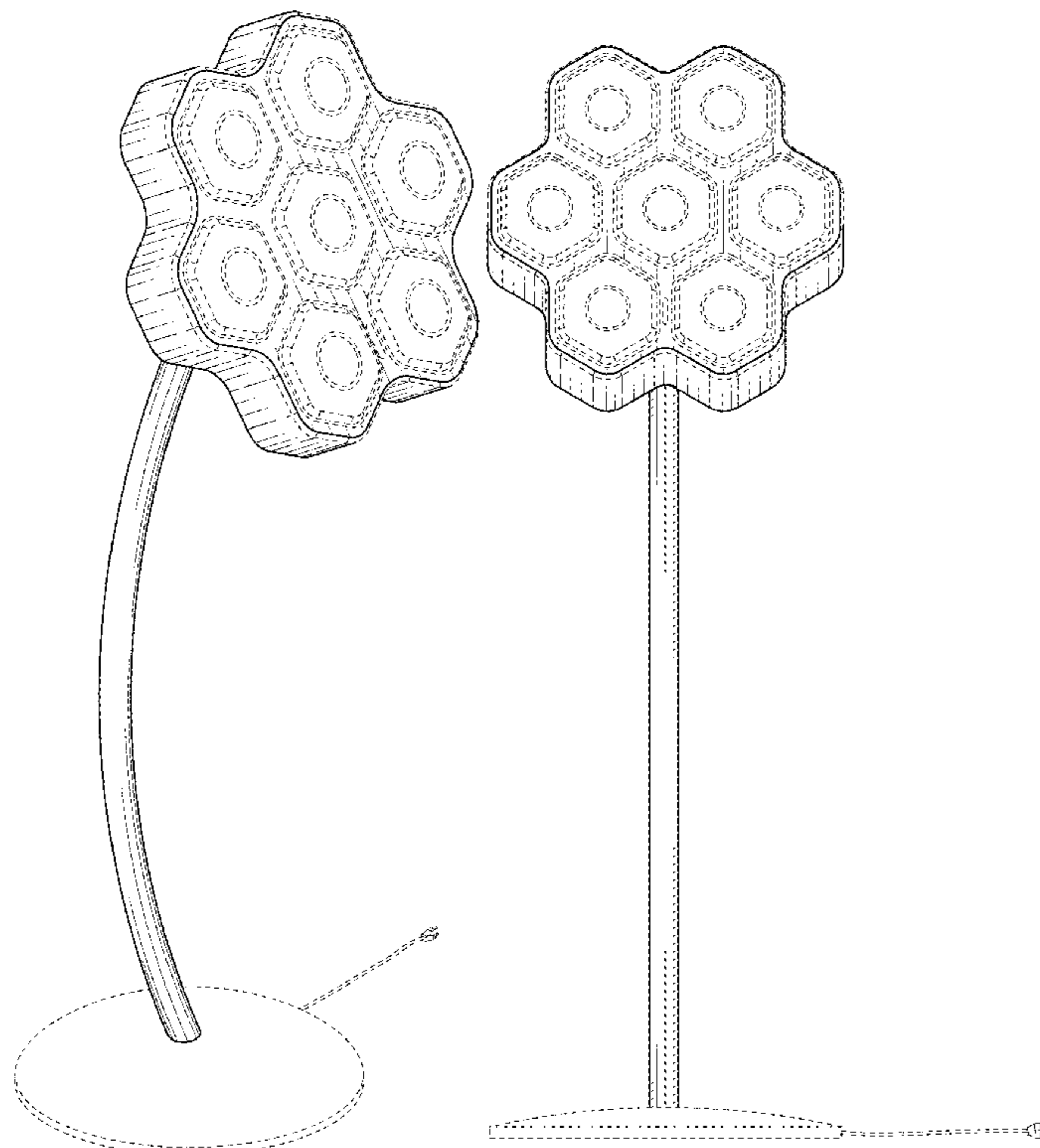
FIG. 1 is a perspective view of a battery charging station. FIG. 2 is a front view of the battery charging station. FIG. 3 is a back view of the battery charging station. FIG. 4 is a right side view of the battery charging station. FIG. 5 is the left side view of the battery charging station. FIG. 6 is a top side view of the battery charging station; and, FIG. 7 is a bottom view of the battery charging station. The broken lines in the drawings illustrate portions of the article that form no part of the claim.

1 Claim, 5 Drawing Sheets

(56) **References Cited**

U.S. PATENT DOCUMENTS

- D489,162 S * 5/2004 Dings-Plooij D1/121
- D536,390 S * 2/2007 Van Ness D21/386
- D661,747 S * 6/2012 Huet, Jr. D21/341



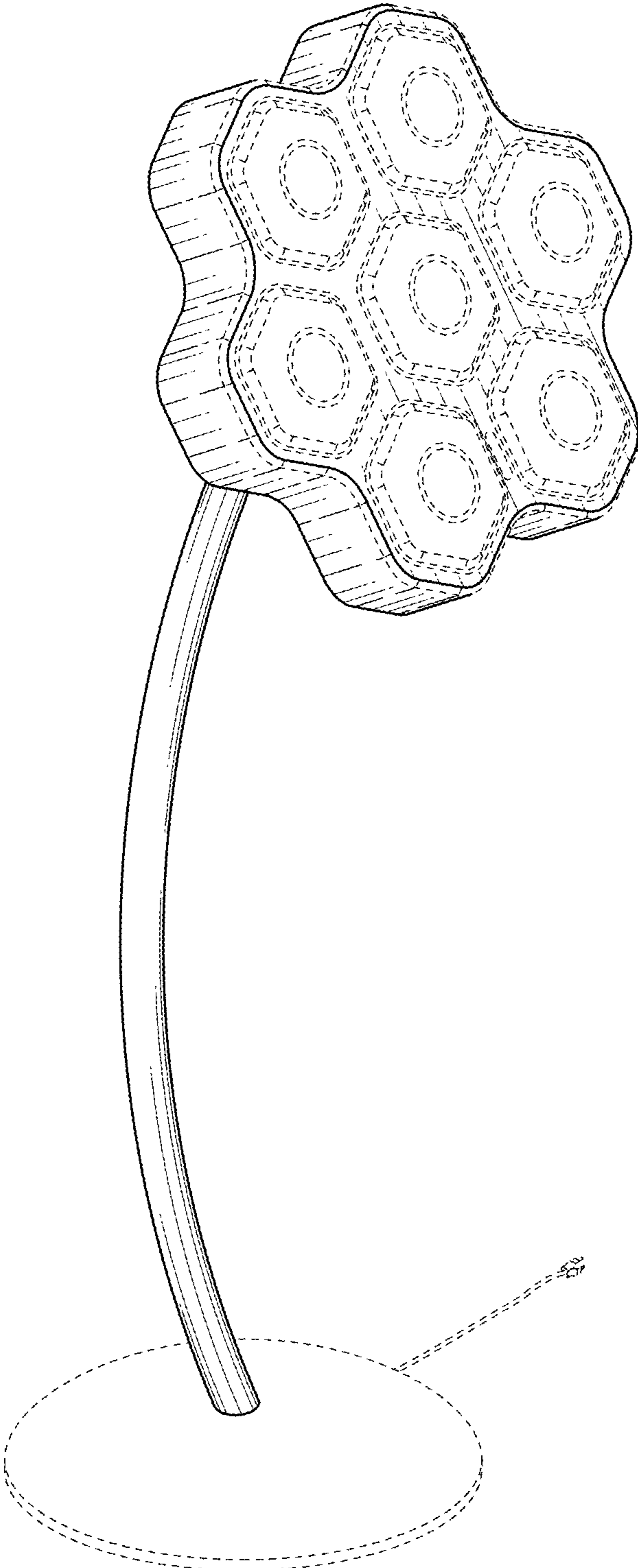


FIG. 1

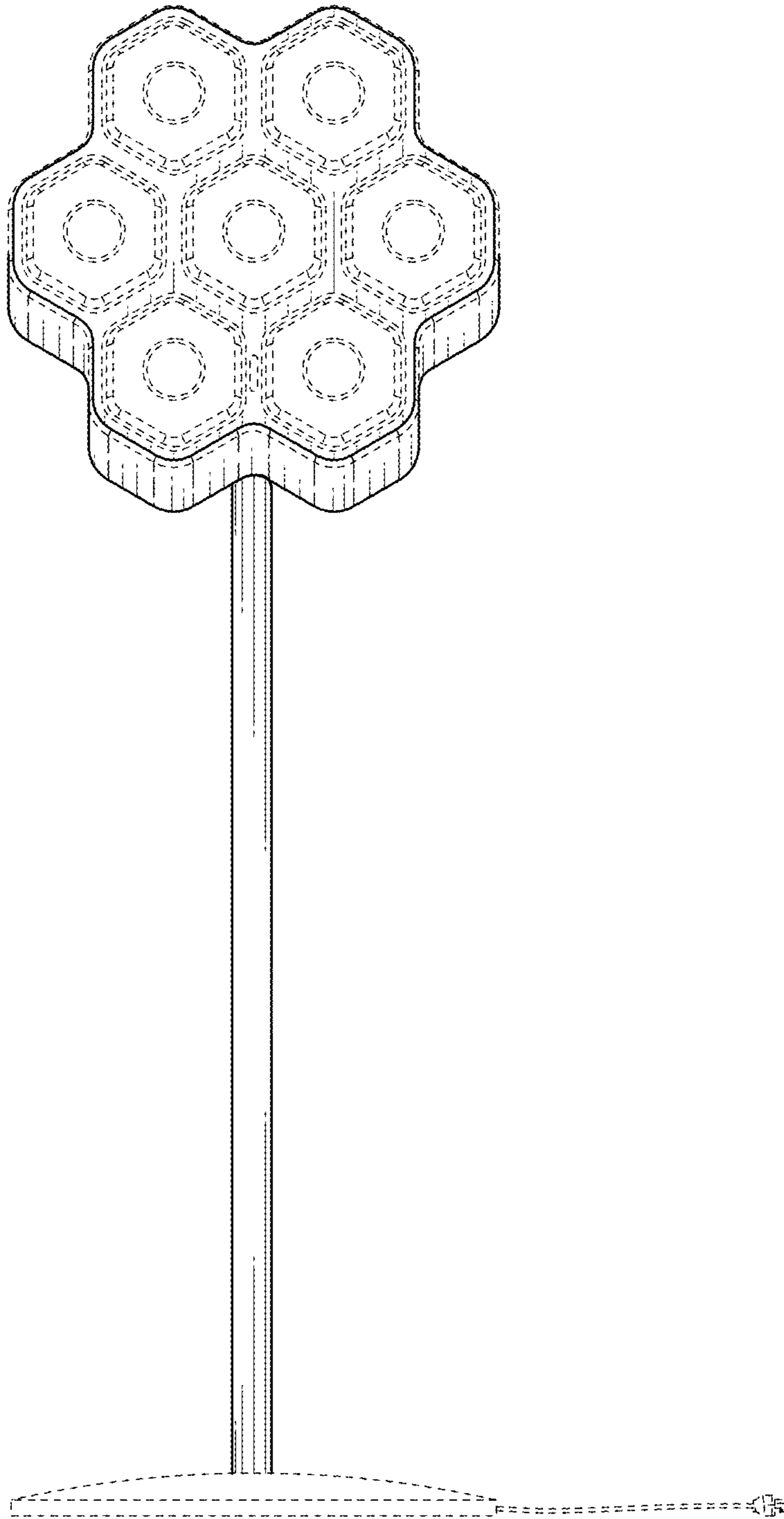


FIG. 2

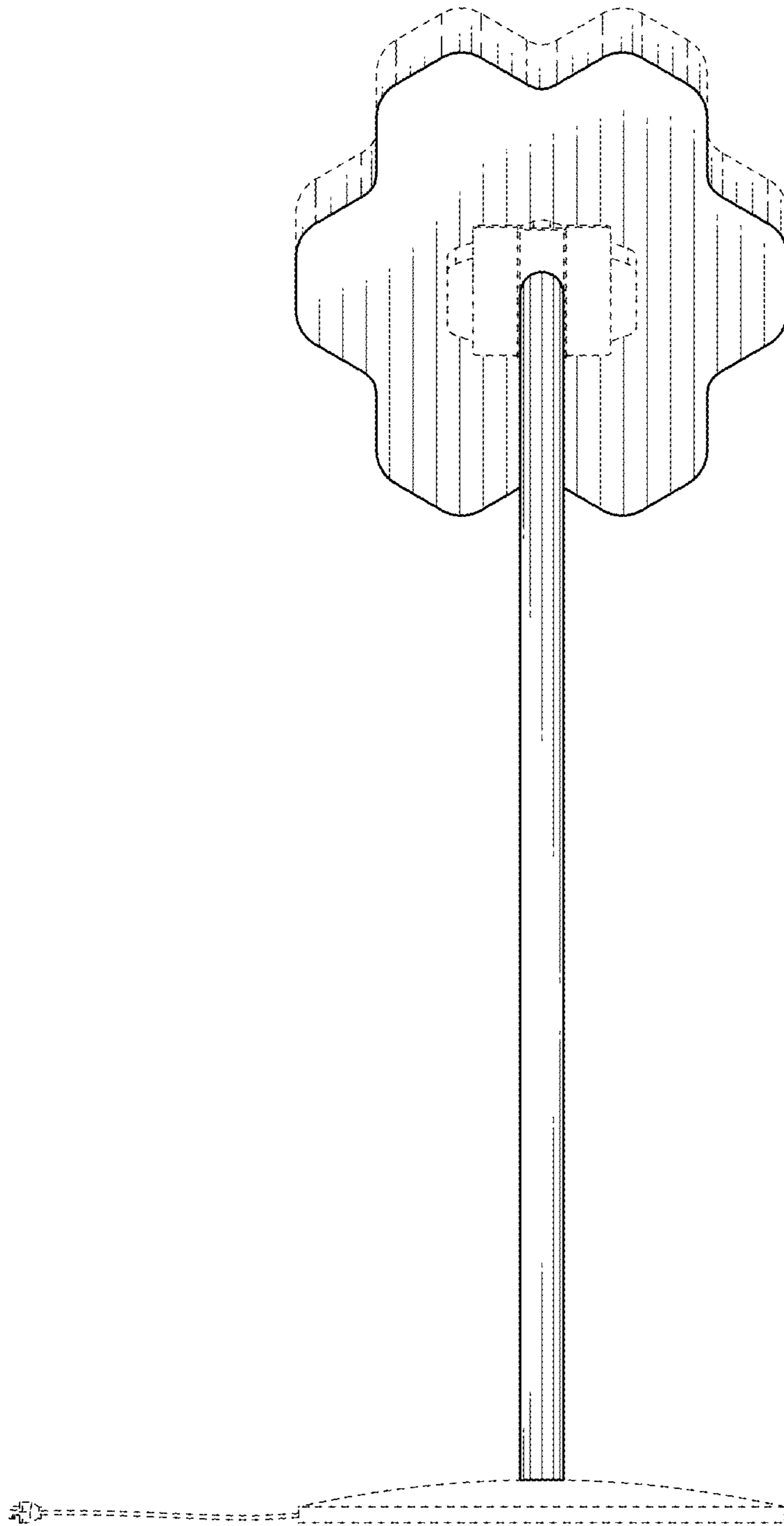


FIG. 3

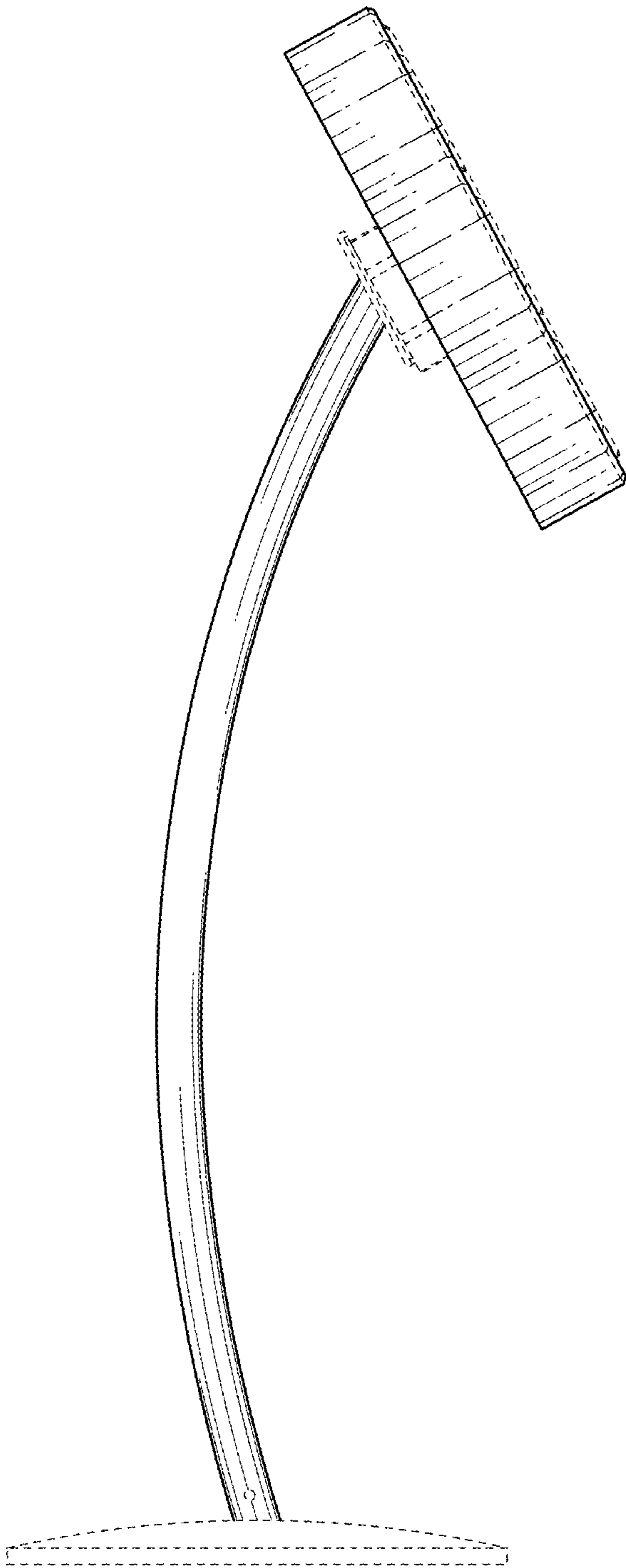


FIG. 4

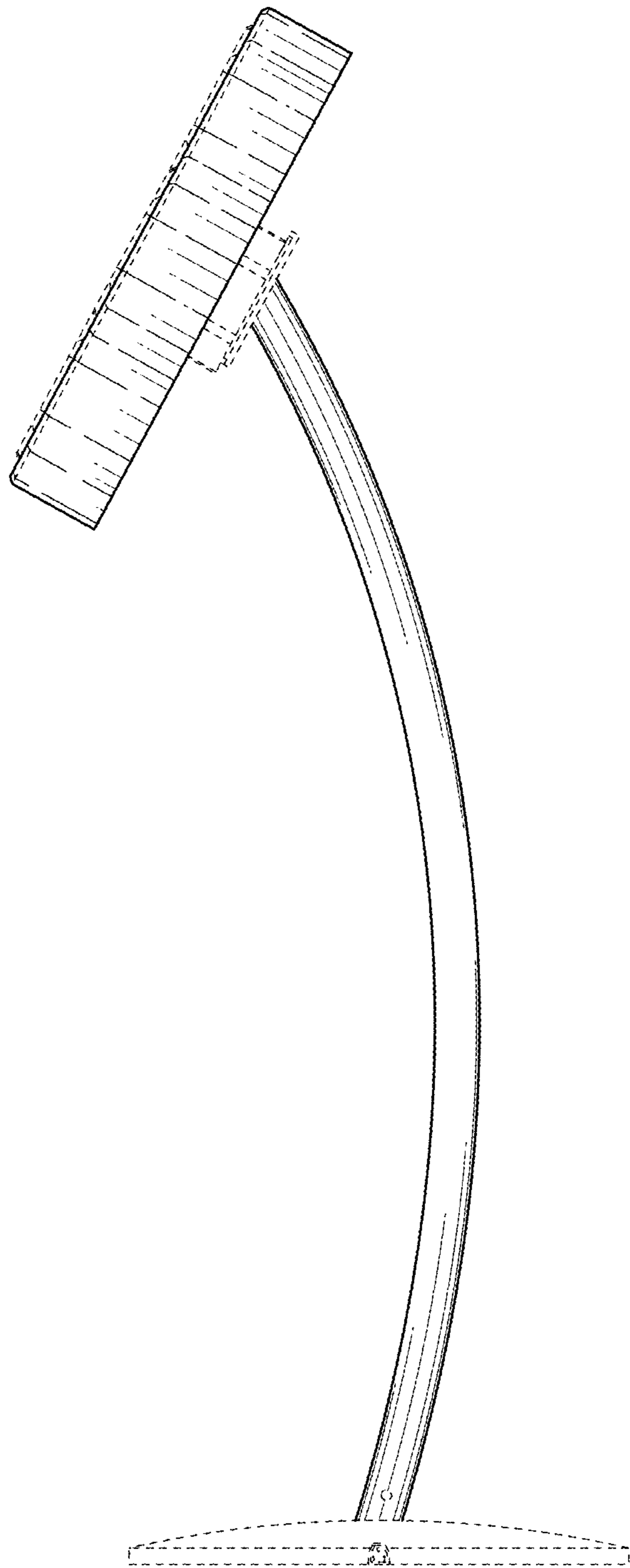


FIG. 5

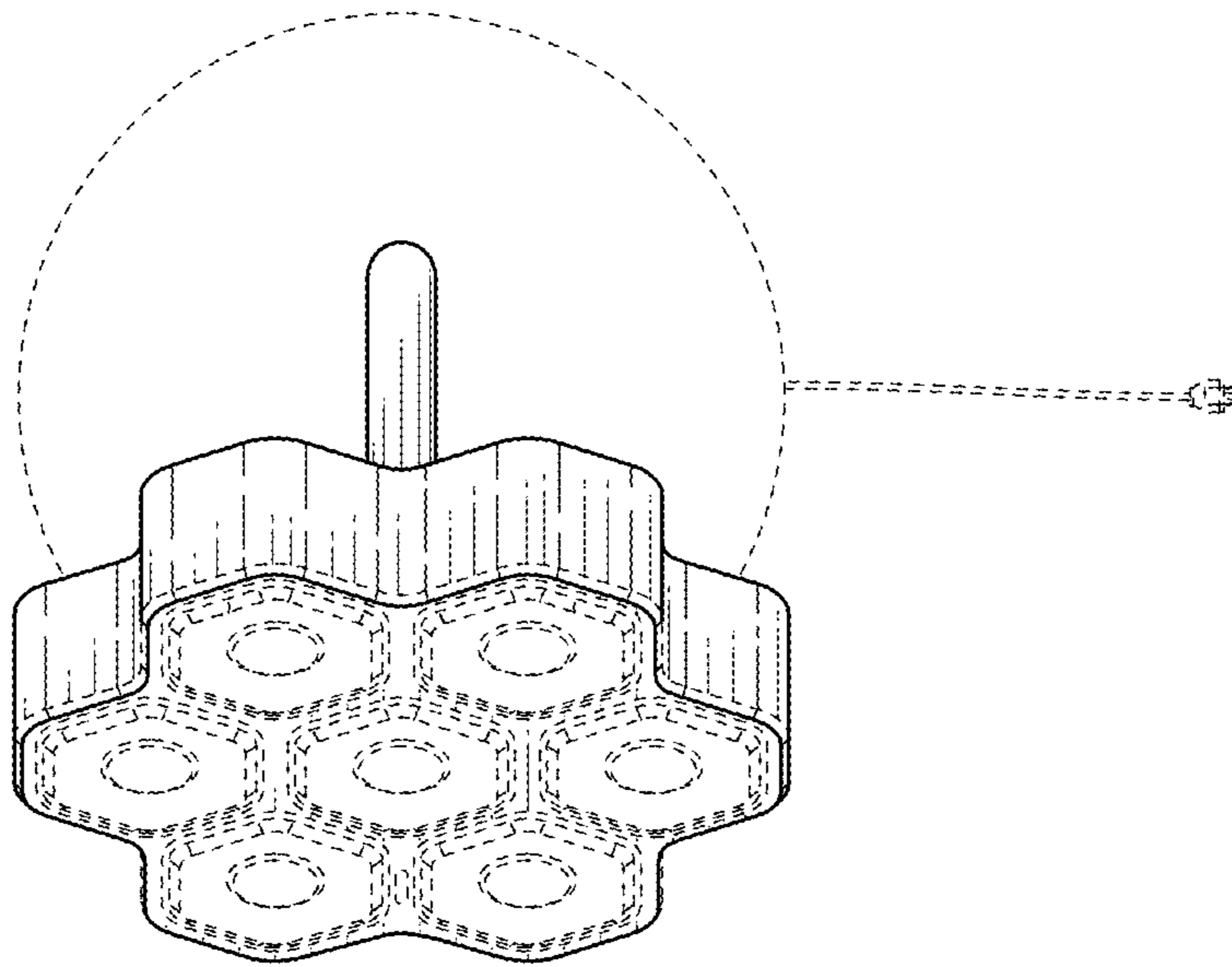


FIG. 6

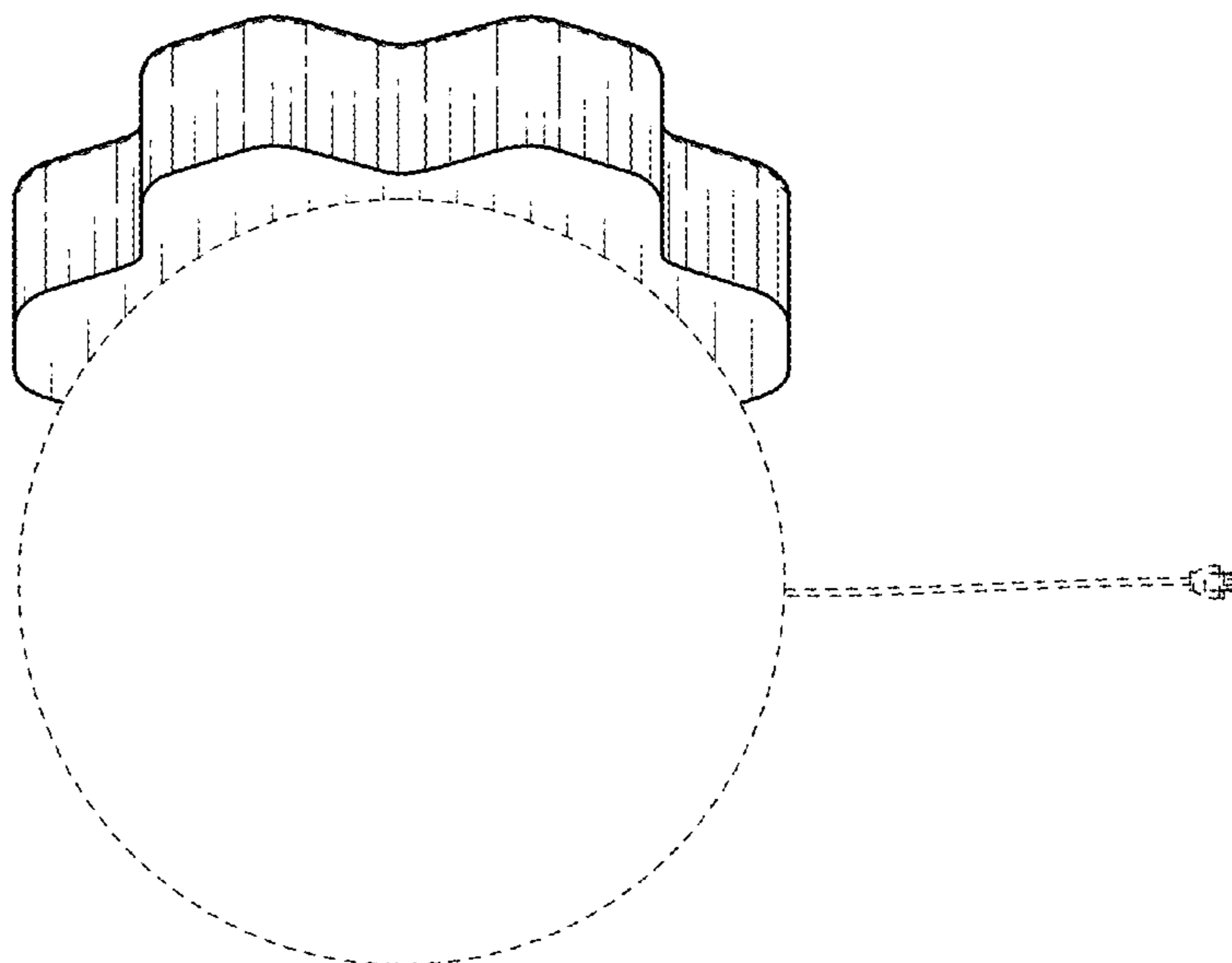


FIG. 7