



US00D931198S

(12) **United States Design Patent** (10) **Patent No.:** **US D931,198 S**  
**Liu** (45) **Date of Patent:** **\*\* Sep. 21, 2021**

(54) **SOLAR LAMP**

(71) Applicant: **Yanling Liu**, Ganzhou (CN)

(72) Inventor: **Yanling Liu**, Ganzhou (CN)

(\*\*) Term: **15 Years**

(21) Appl. No.: **29/758,562**

(22) Filed: **Nov. 17, 2020**

(51) **LOC (13) Cl.** ..... **13-02**

(52) **U.S. Cl.**  
USPC ..... **D13/102**

(58) **Field of Classification Search**  
USPC ..... D13/102, 101, 103, 107, 108, 184, 199;  
D26/63, 67, 68, 71, 72; D8/840  
CPC ..... H01L 31/00; H01L 31/18; H01L 31/042;  
H01L 31/045; H01L 31/048; H01L  
31/052; H01L 31/054; H01L 31/0475;  
H01L 31/0485; H01M 10/052; H01M  
10/465; H02S 30/10; H02S 30/20; H02S  
10/40; H02S 40/42; Y02E 10/50; Y02E  
10/52; Y10S 136/291; Y10S 136/293;  
H02J 7/355; G06F 1/1628; F21S 8/006;  
F21S 8/081; F21S 8/083; F21S 8/088;  
F21V 17/06

See application file for complete search history.

(56) **References Cited**

U.S. PATENT DOCUMENTS

D309,789 S \* 8/1990 Luce ..... D26/68  
D311,722 S \* 10/1990 Cheng ..... D13/102

D324,432 S \* 3/1992 Frost ..... D26/67  
D391,921 S \* 3/1998 Zimmer ..... D13/102  
D415,018 S \* 10/1999 Uhler ..... D21/840  
D533,675 S \* 12/2006 Didier ..... D26/67  
D618,166 S \* 6/2010 Sanoner ..... D13/102  
D656,652 S \* 3/2012 Rosenlof ..... D26/71  
D764,694 S \* 8/2016 Tsai ..... D26/67  
D841,213 S 2/2019 Zhuo  
D884,246 S 5/2020 Tang et al.  
2019/0101265 A1\* 4/2019 Steele ..... F21V 17/06

\* cited by examiner

*Primary Examiner* — Derrick E Holland

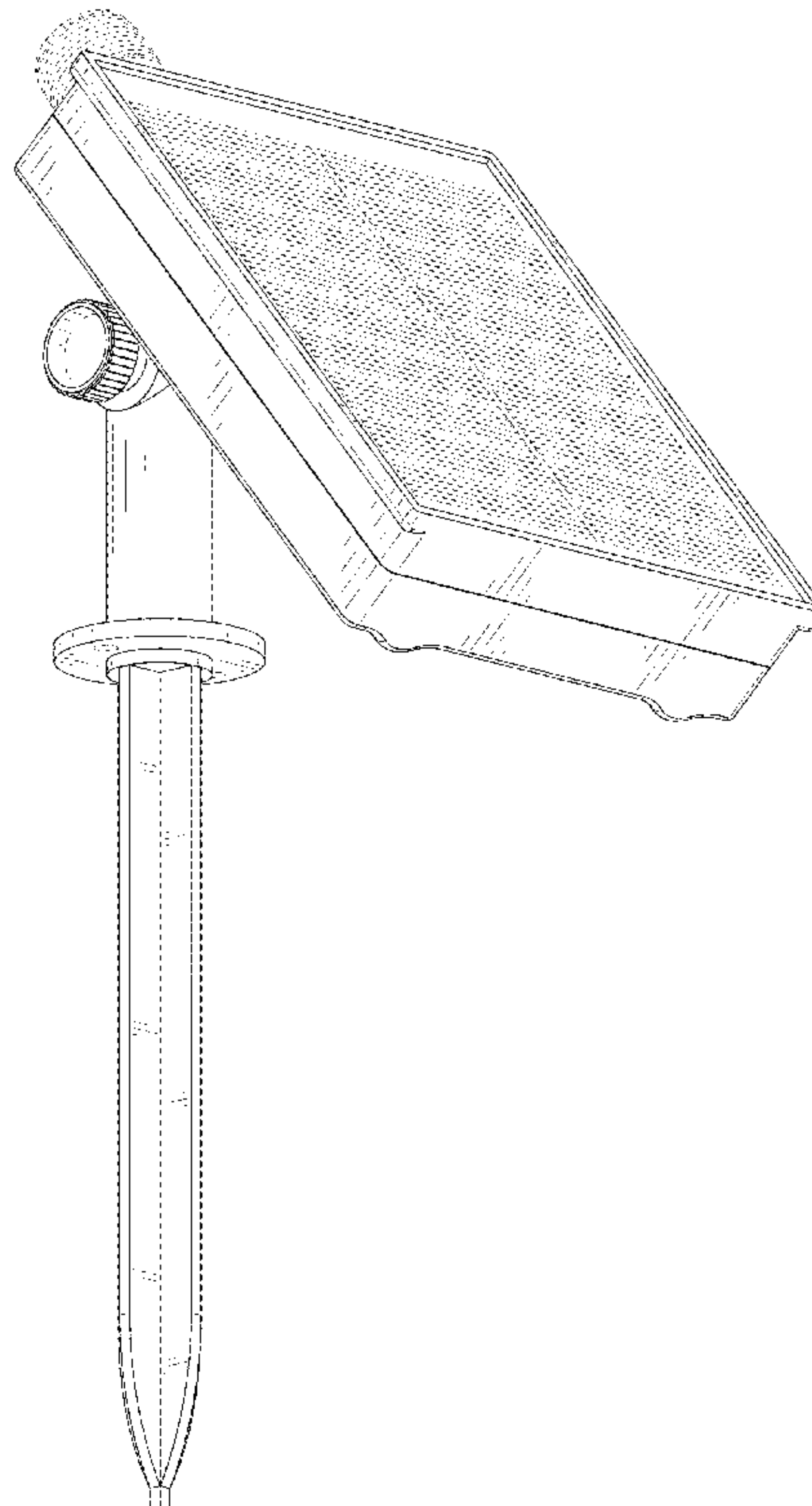
(57) **CLAIM**

The ornamental design for a solar lamp, as shown and described.

**DESCRIPTION**

FIG. 1 is a perspective view of a solar lamp showing my new design;  
FIG. 2 is another perspective view thereof;  
FIG. 3 is a front elevational view thereof;  
FIG. 4 is a rear elevational view thereof;  
FIG. 5 is a left side elevational view thereof;  
FIG. 6 is a right side elevational view thereof;  
FIG. 7 is a top plan view thereof;  
FIG. 8 is a bottom plan view thereof; and,  
FIG. 9 is an exploded perspective view of the solar lamp.  
The broken lines in the drawings depict portions of the solar lamp that form no part of the claimed design.

**1 Claim, 9 Drawing Sheets**



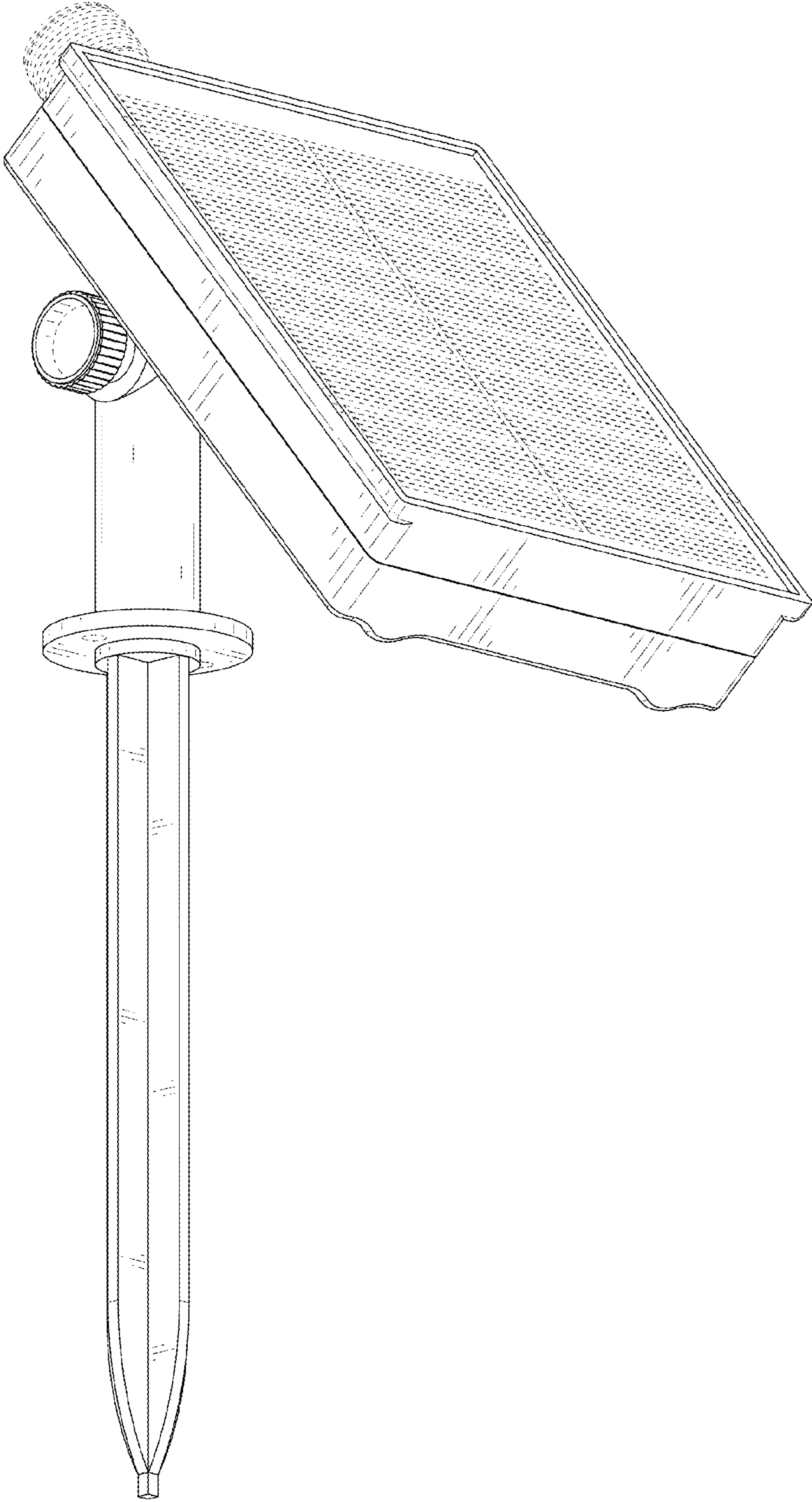


FIG. 1

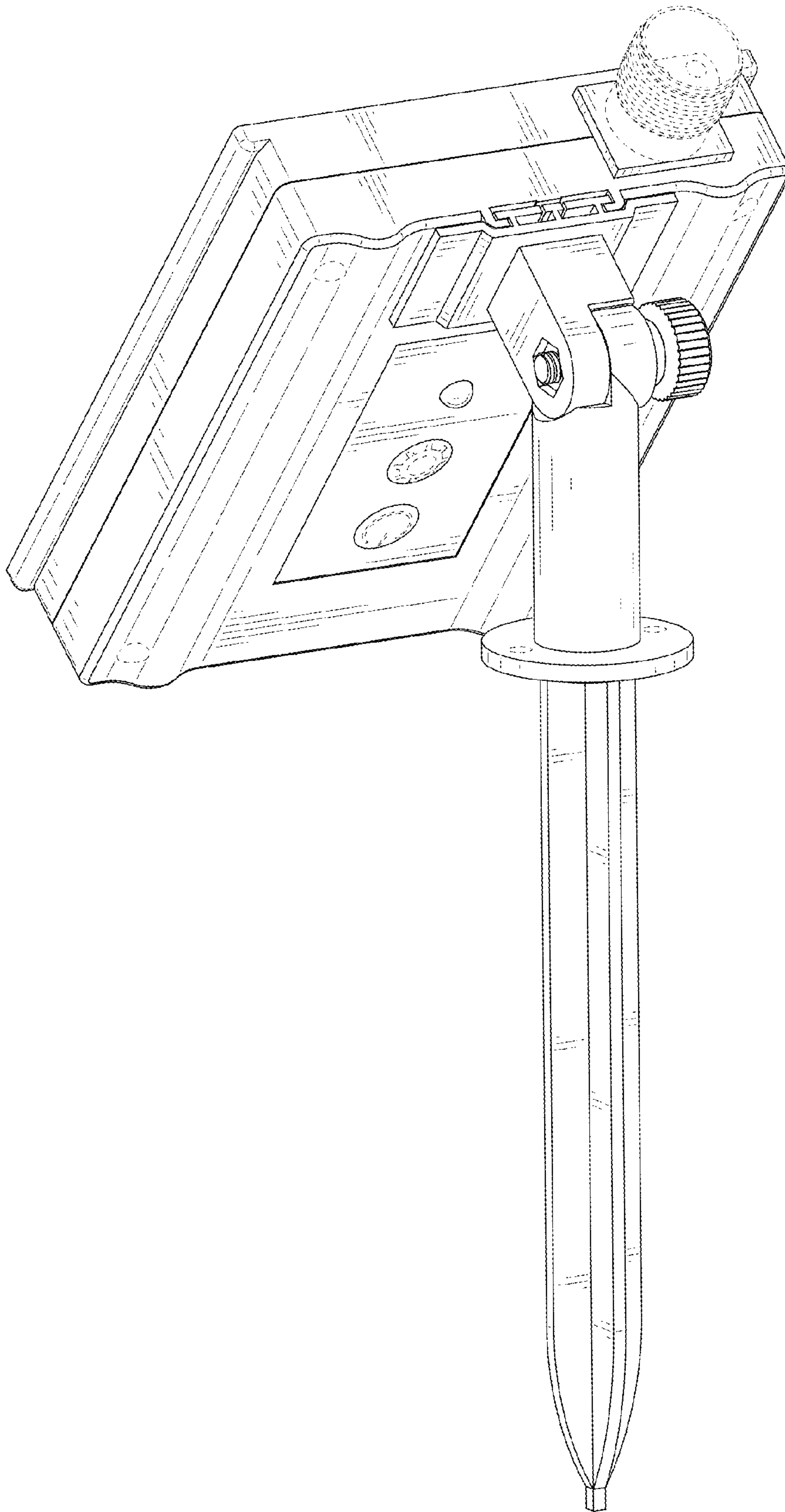


FIG. 2

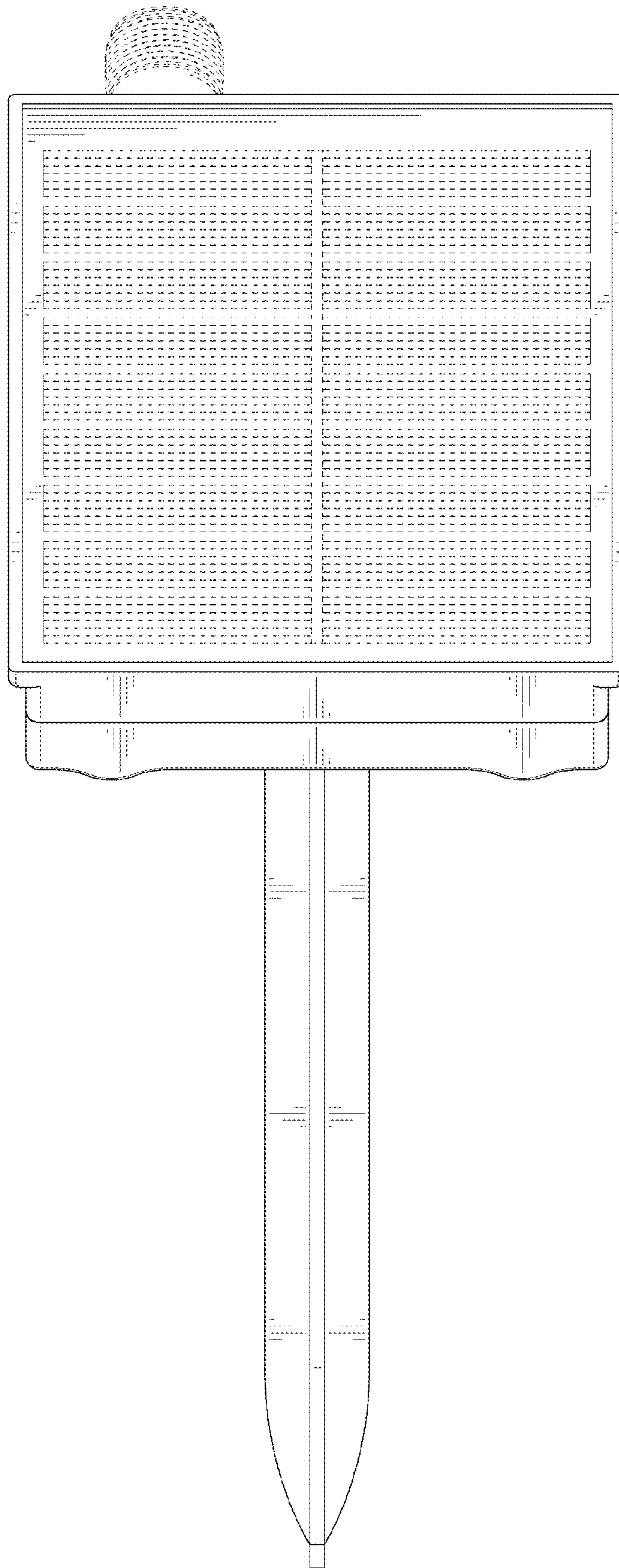


FIG. 3



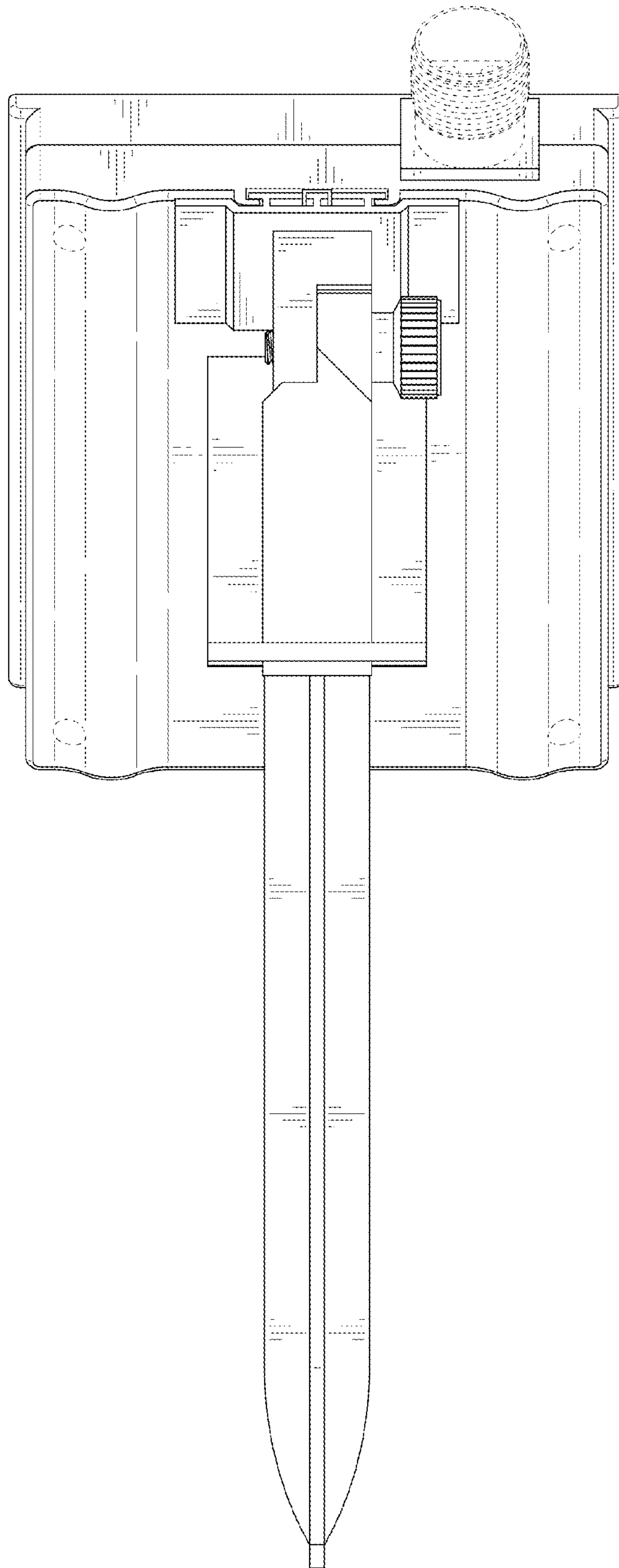


FIG. 4

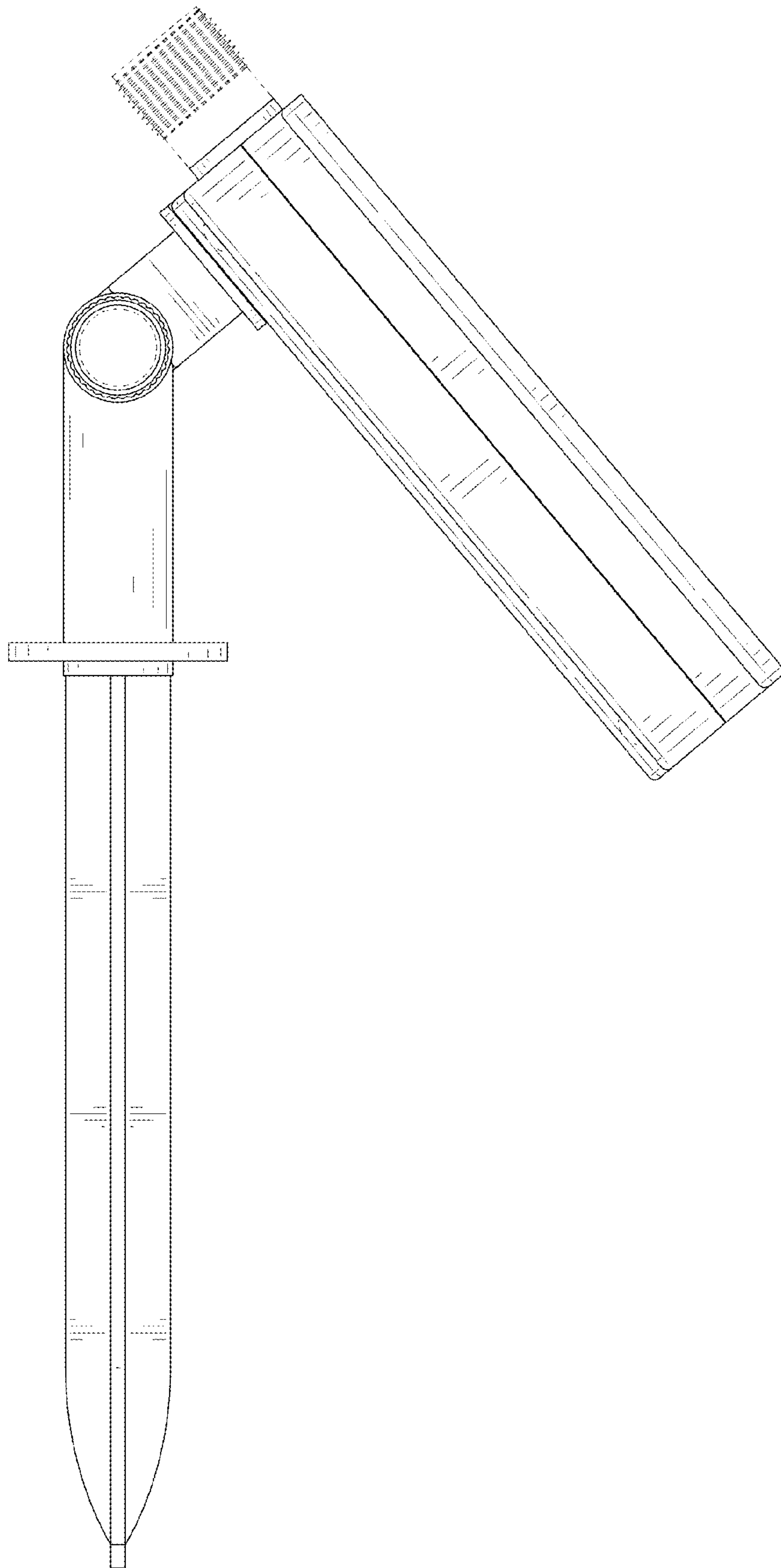


FIG. 5

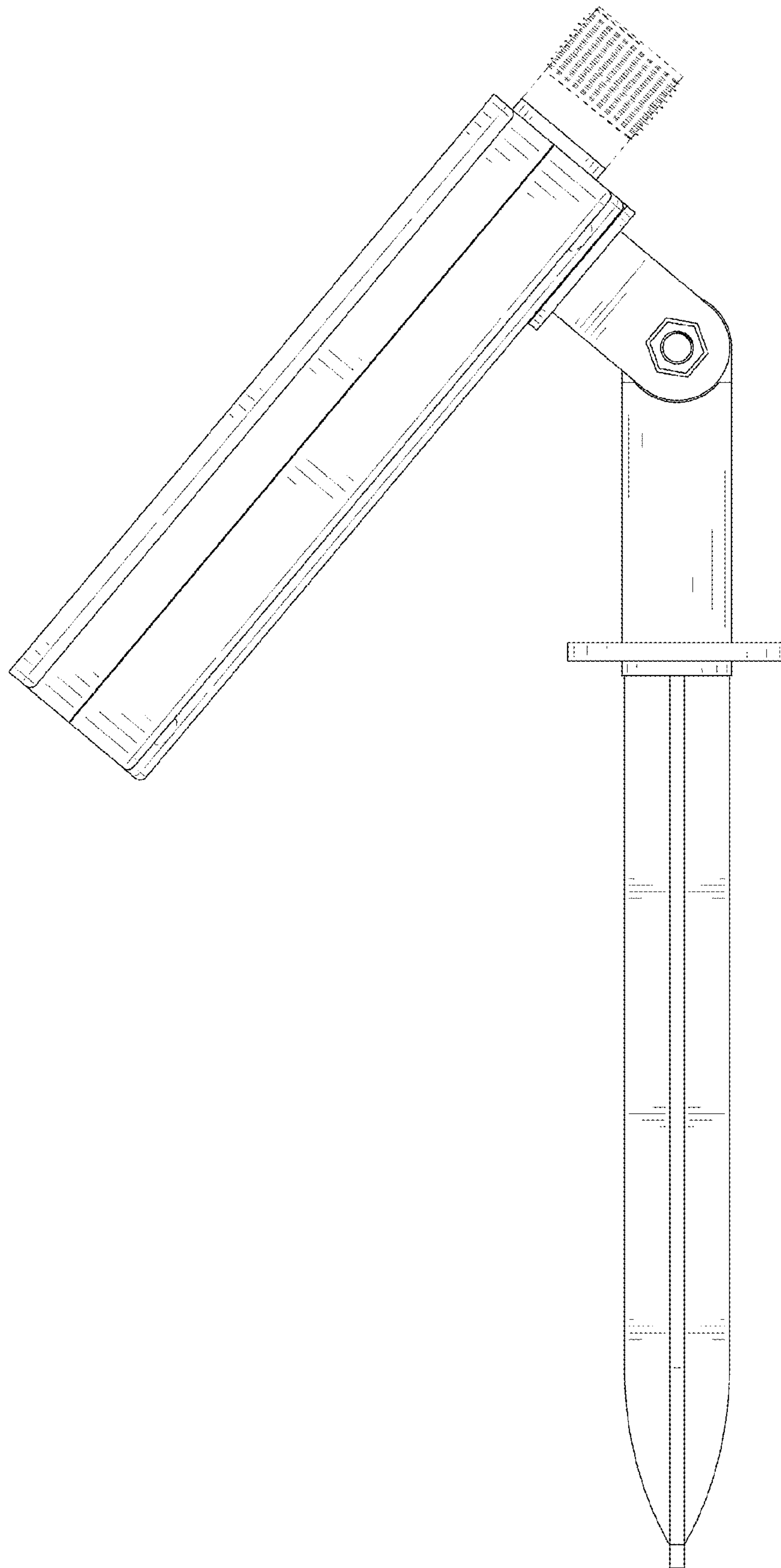


FIG. 6

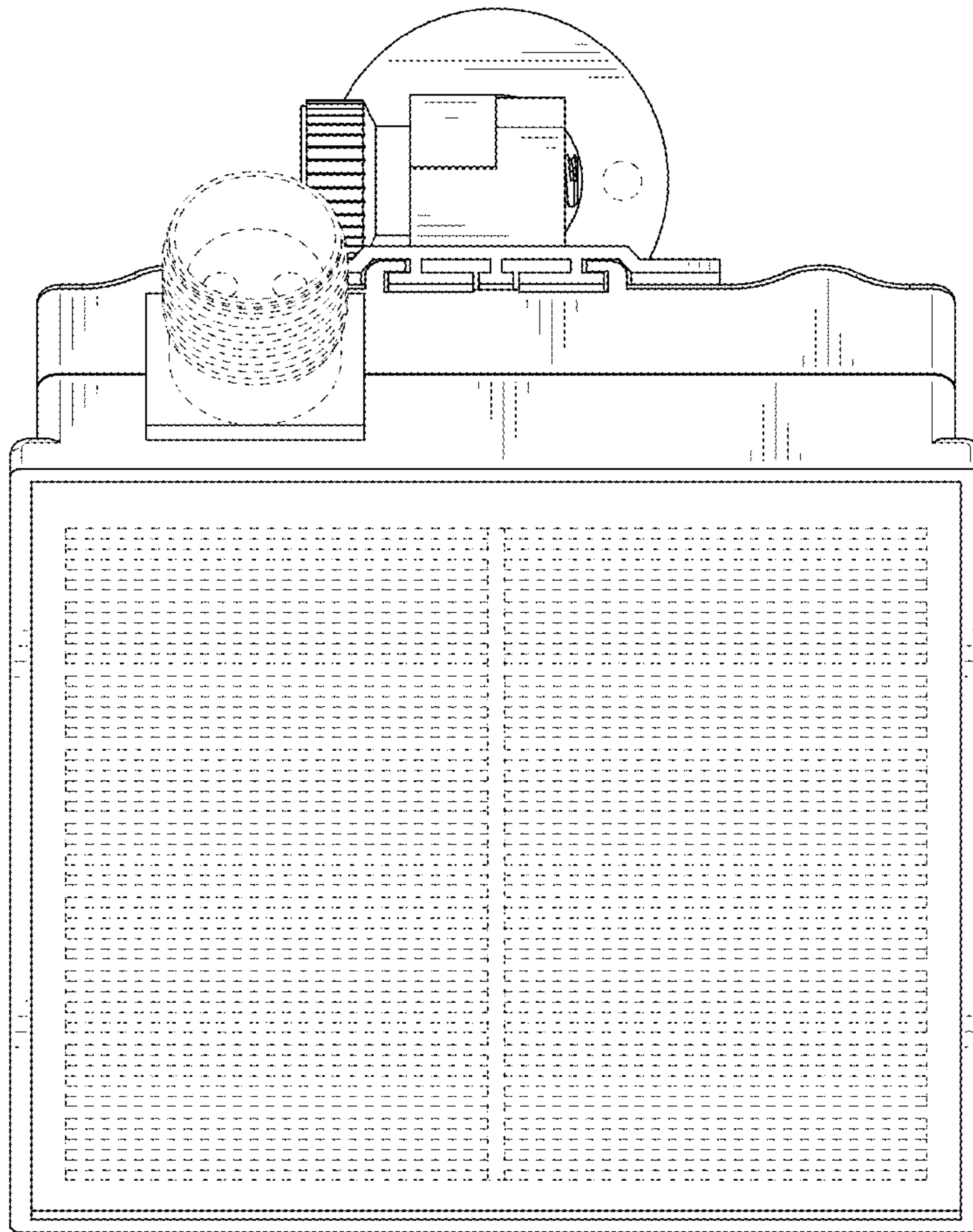


FIG. 7



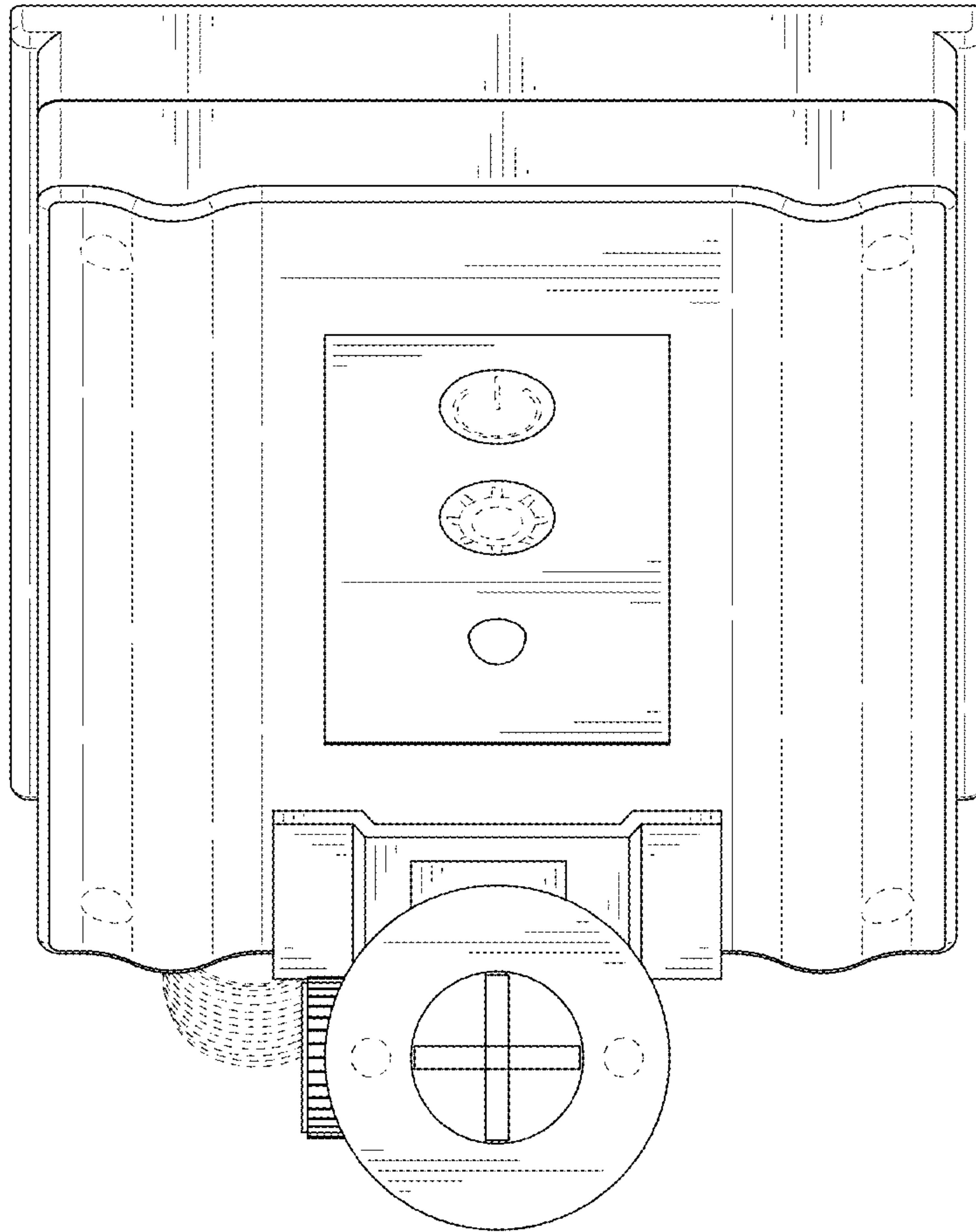


FIG. 8

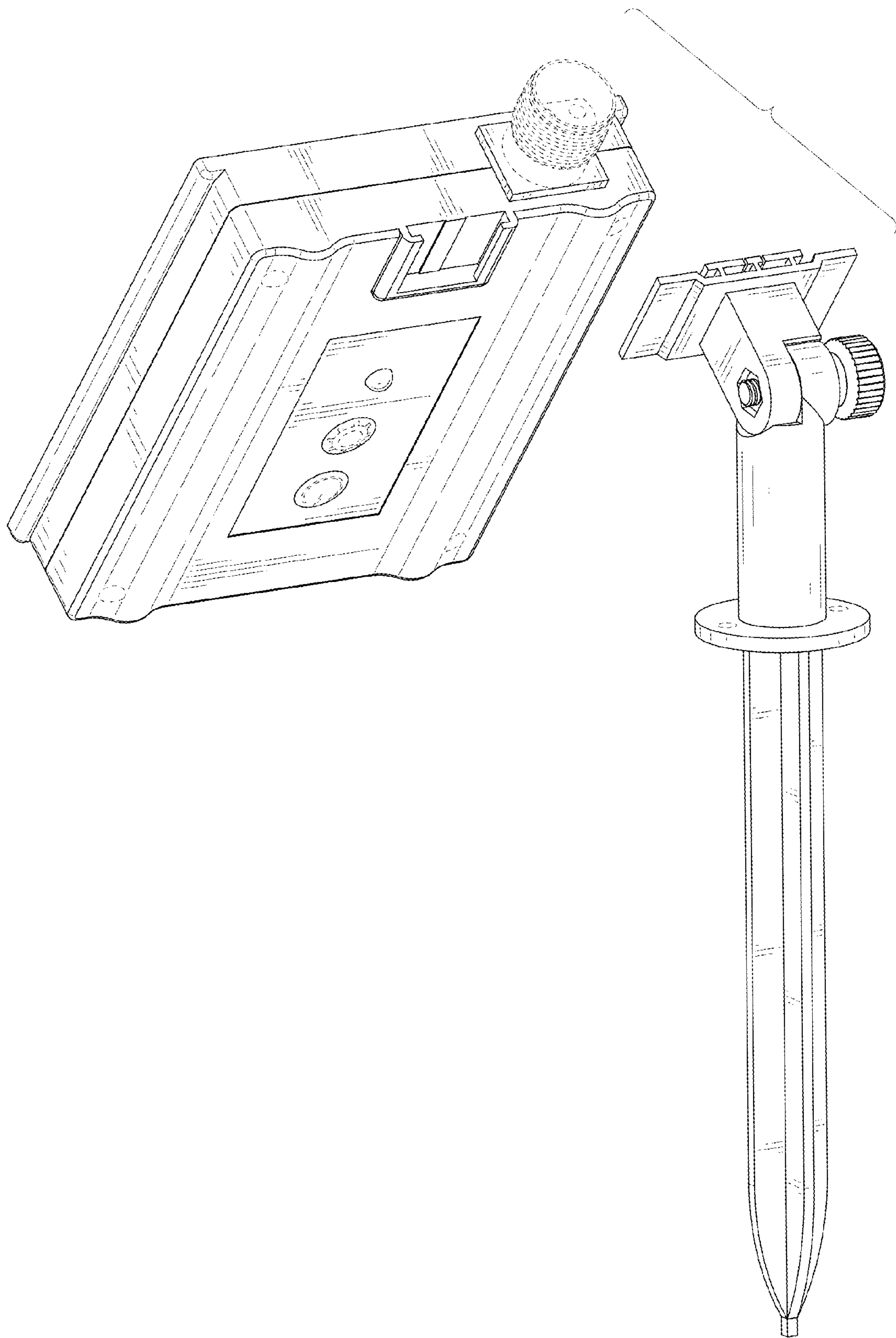


FIG. 9