



US00D931190S

(12) **United States Design Patent** (10) **Patent No.:** **US D931,190 S**  
**Sahashi et al.** (45) **Date of Patent:** **\*\* \*Sep. 21, 2021**

(54) **TIRE TREAD**

FOREIGN PATENT DOCUMENTS

(71) Applicant: **BRIDGESTONE CORPORATION**,  
Tokyo (JP)

JP 1441213 S 5/2012  
JP 1453203 S 10/2012

(Continued)

(72) Inventors: **Kohei Sahashi**, Tokyo (JP); **Takayuki Kurata**, Tokyo (JP); **Naoyuki Sone**, Tokyo (JP)

OTHER PUBLICATIONS

(73) Assignee: **BRIDGESTONE CORPORATION**,  
Tokyo (JP)

Jan. 28, 2020, Office Action issued by the Japan Patent Office in the corresponding Japanese Design Patent Application No. 2019-018729.

(Continued)

(\*) Notice: This patent is subject to a terminal disclaimer.

*Primary Examiner* — John A Voytek

(\*\*) Term: **15 Years**

(74) *Attorney, Agent, or Firm* — Kenja IP Law PC

(21) Appl. No.: **29/724,995**

(57) **CLAIM**

(22) Filed: **Feb. 21, 2020**

The ornamental design for a tire tread, as shown and described.

(30) **Foreign Application Priority Data**

Aug. 23, 2019 (JP) ..... 2019-018729

(51) **LOC (13) Cl.** ..... **12-15**

(52) **U.S. Cl.**  
USPC ..... **D12/514**

(58) **Field of Classification Search**  
USPC ..... D12/500–532, 604  
CPC ..... Y10T 152/10027; B60C 1/0016; B60C 11/0306; B60C 11/0302; B60C 3/06; B60C 9/17  
See application file for complete search history.

**DESCRIPTION**

FIG. 1 is a perspective view of a tire tread showing our new design;  
FIG. 2 is a front view thereof;  
FIG. 3 is a top view thereof;  
FIG. 4 is a right side view thereof;  
FIG. 5 is a left side view thereof;  
FIG. 6 is a fragmentary enlarged front view thereof;  
FIG. 7 is a sectional view taken along line 7-7 in FIG. 6 thereof; and,  
FIG. 8 is a sectional view taken along line 8-8 in FIG. 6 thereof.  
Broken lines show environmental portions of a tire that are not being claimed, and form no part of the claimed design. The light stippled surface shading represents the surface of the tire tread, and the dark stippled surface shading represents the recessed portion of the tread grooves, having the depth as shown in FIGS. 7 and 8.

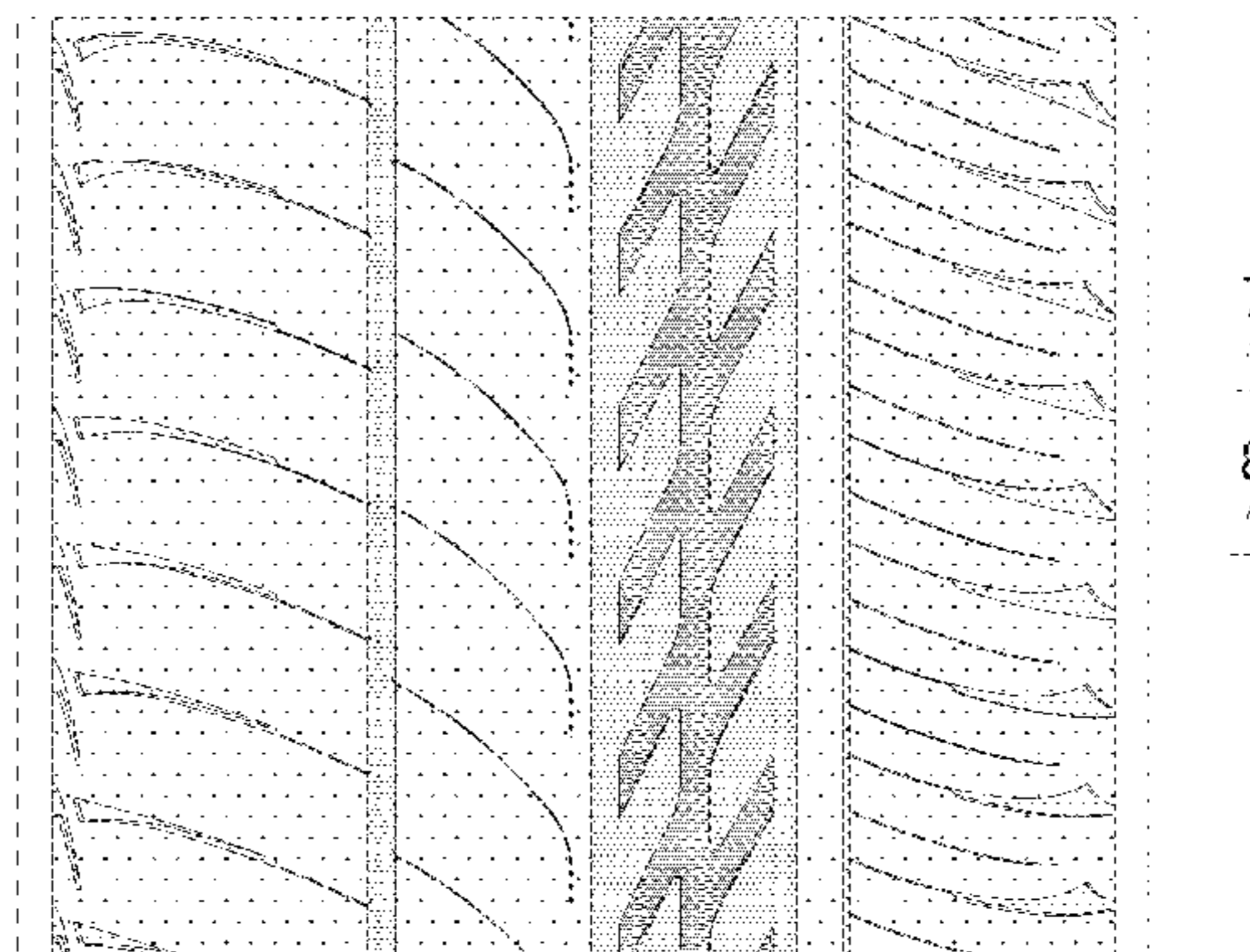
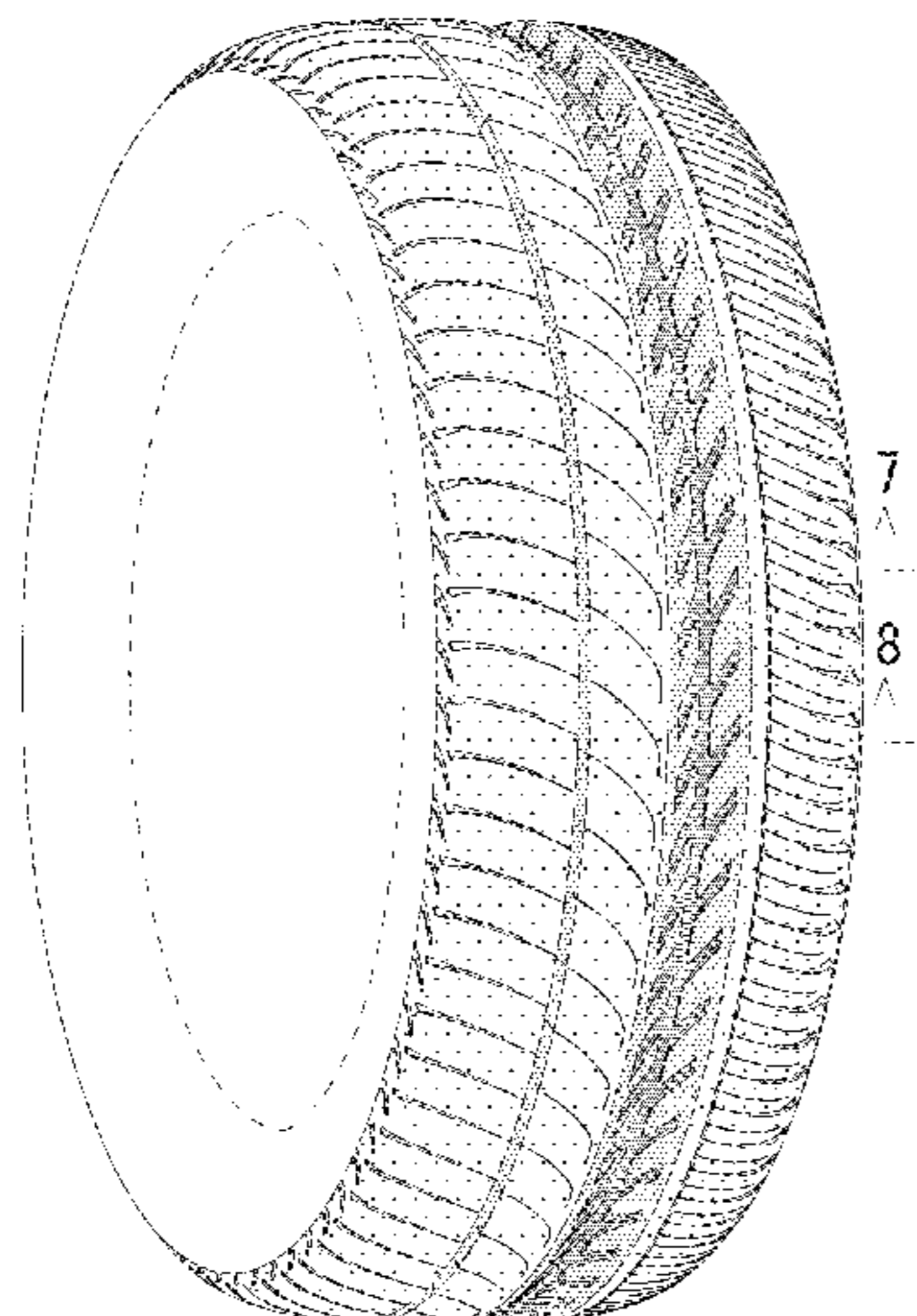
(56) **References Cited**

U.S. PATENT DOCUMENTS

D324,839 S \* 3/1992 Maxwell ..... D12/514  
D328,443 S \* 8/1992 Maxwell ..... D12/514  
D333,643 S \* 3/1993 Maxwell ..... D12/514  
D347,815 S \* 6/1994 Montag ..... D12/514  
D347,816 S \* 6/1994 Maxwell ..... D12/514  
D350,717 S \* 9/1994 Maxwell ..... D12/514  
D355,154 S \* 2/1995 Croyle ..... D12/514

(Continued)

**1 Claim, 8 Drawing Sheets**



(56)

**References Cited**

U.S. PATENT DOCUMENTS

D379,341 S \* 5/1997 Ratliff, Jr. .... D12/514  
D394,032 S \* 5/1998 Maxwell ..... D12/514  
D398,886 S \* 9/1998 Brown ..... D12/514  
D409,959 S \* 5/1999 Maxwell ..... D12/514  
D451,442 S \* 12/2001 Maxwell ..... D12/514  
D473,842 S \* 4/2003 Ratliff, Jr. .... D12/514  
D484,845 S \* 1/2004 Takahashi ..... D12/531  
D525,579 S \* 7/2006 Graas ..... D12/514  
D529,861 S \* 10/2006 Takahashi ..... D12/531  
D551,612 S \* 9/2007 Maxwell ..... D12/514  
D601,941 S \* 10/2009 Ashton ..... D12/531  
D674,735 S 1/2013 Kato  
D689,428 S \* 9/2013 Kiwaki ..... D12/514  
D716,718 S 11/2014 Kato  
9,649,888 B2 \* 5/2017 Kiwaki ..... B60C 11/1353

FOREIGN PATENT DOCUMENTS

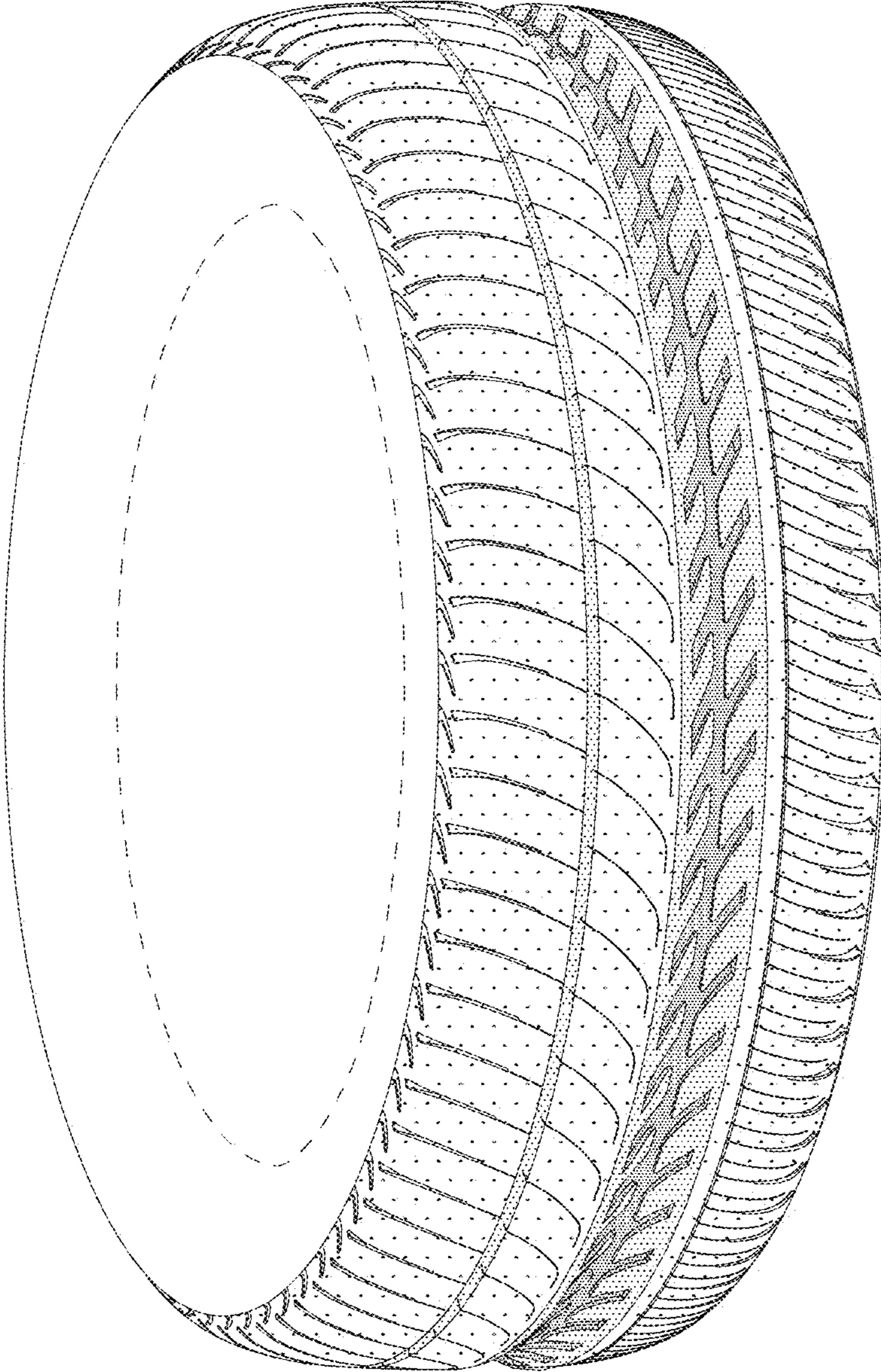
JP 1483917 S 11/2013  
JP 1447191 S 7/2015

OTHER PUBLICATIONS

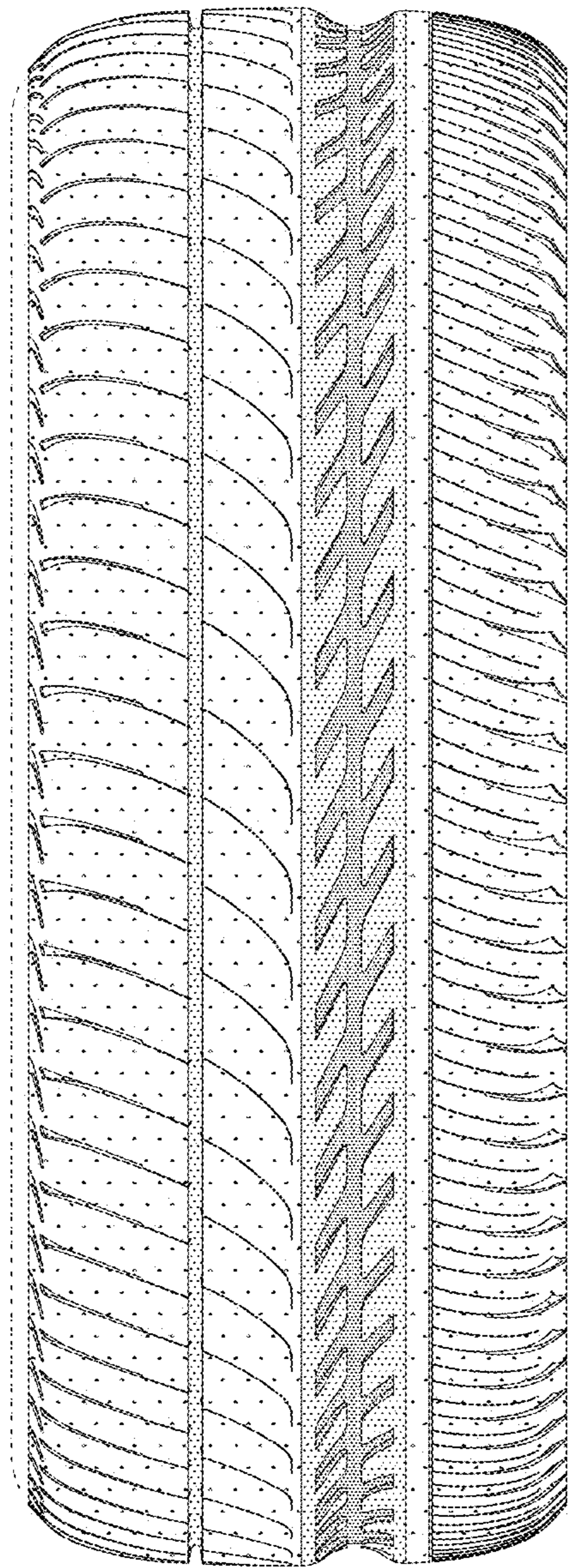
Japanese Design Patent Application No. 2019-018728 filed on Aug. 23, 2019 in the name of Kohei Sahashi.

\* cited by examiner

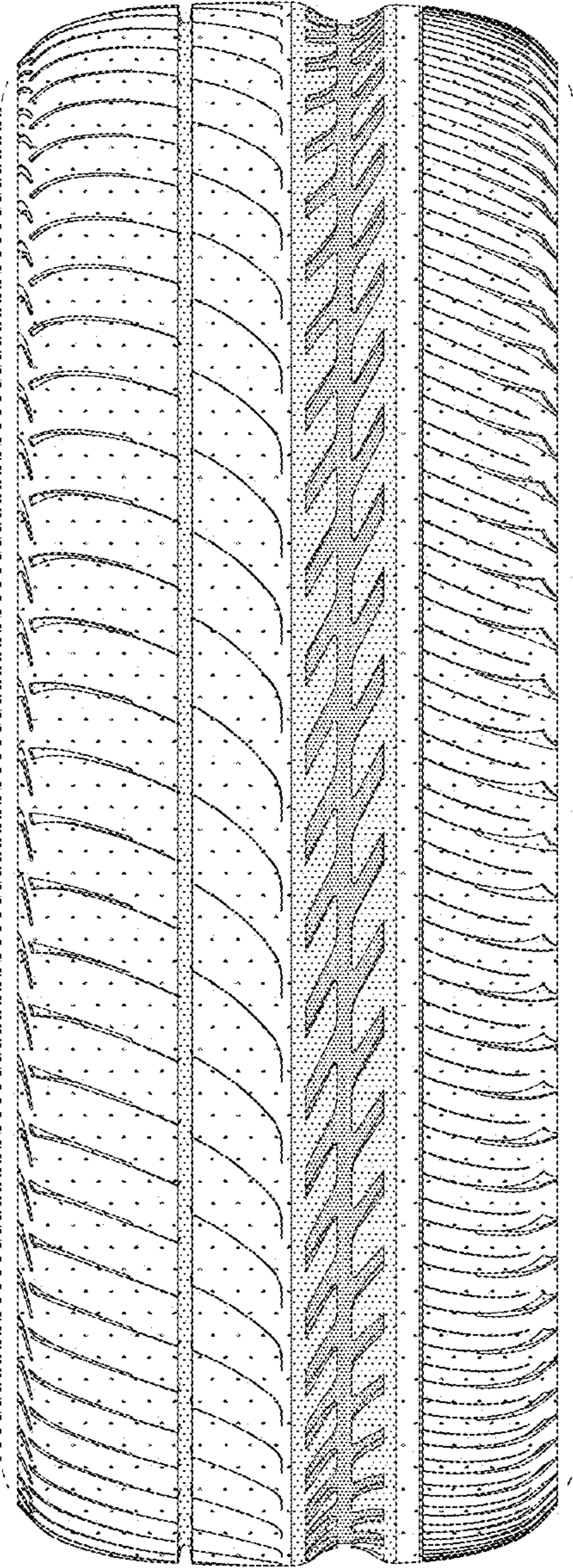
*FIG. 1*



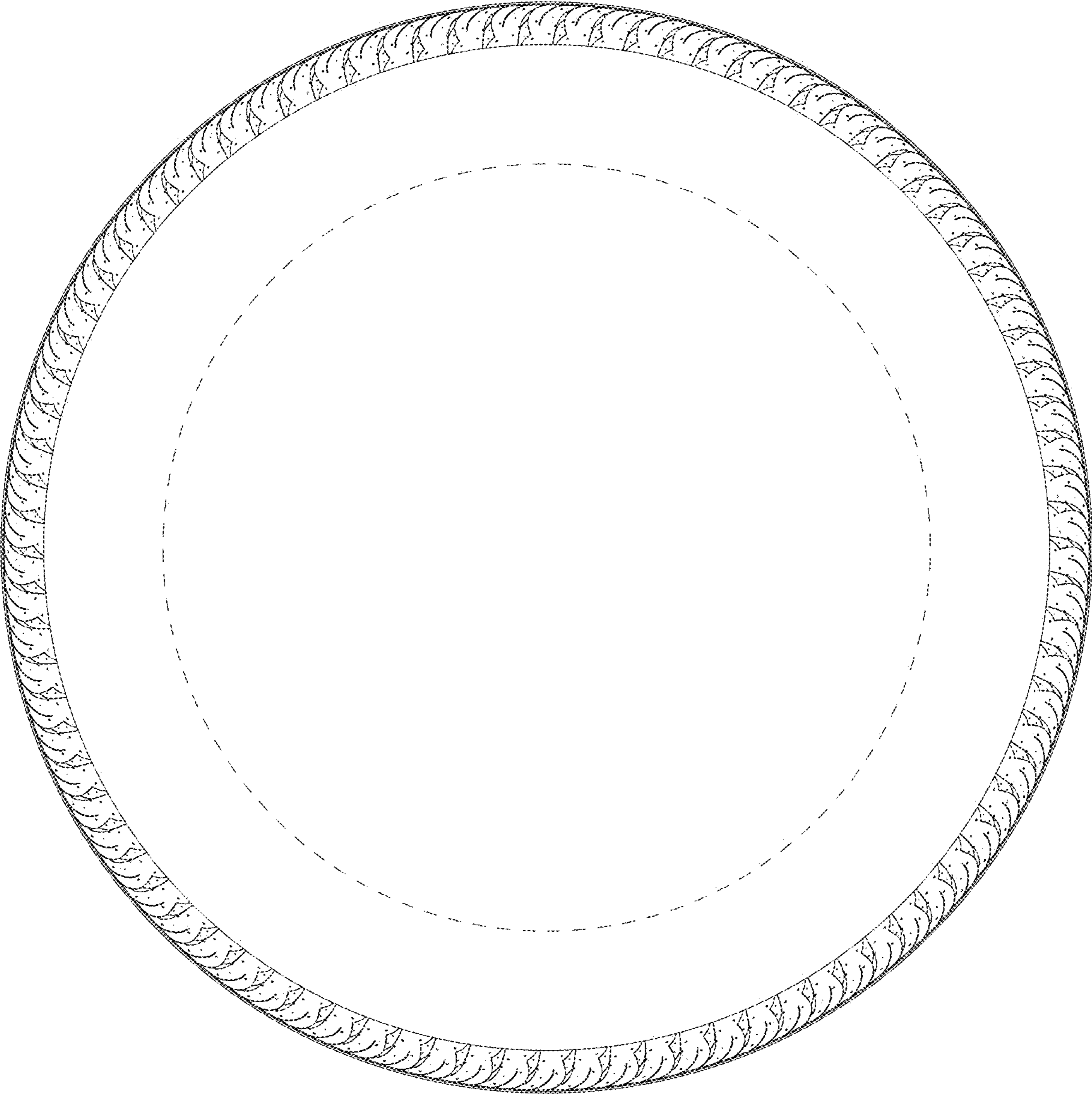
*FIG. 2*



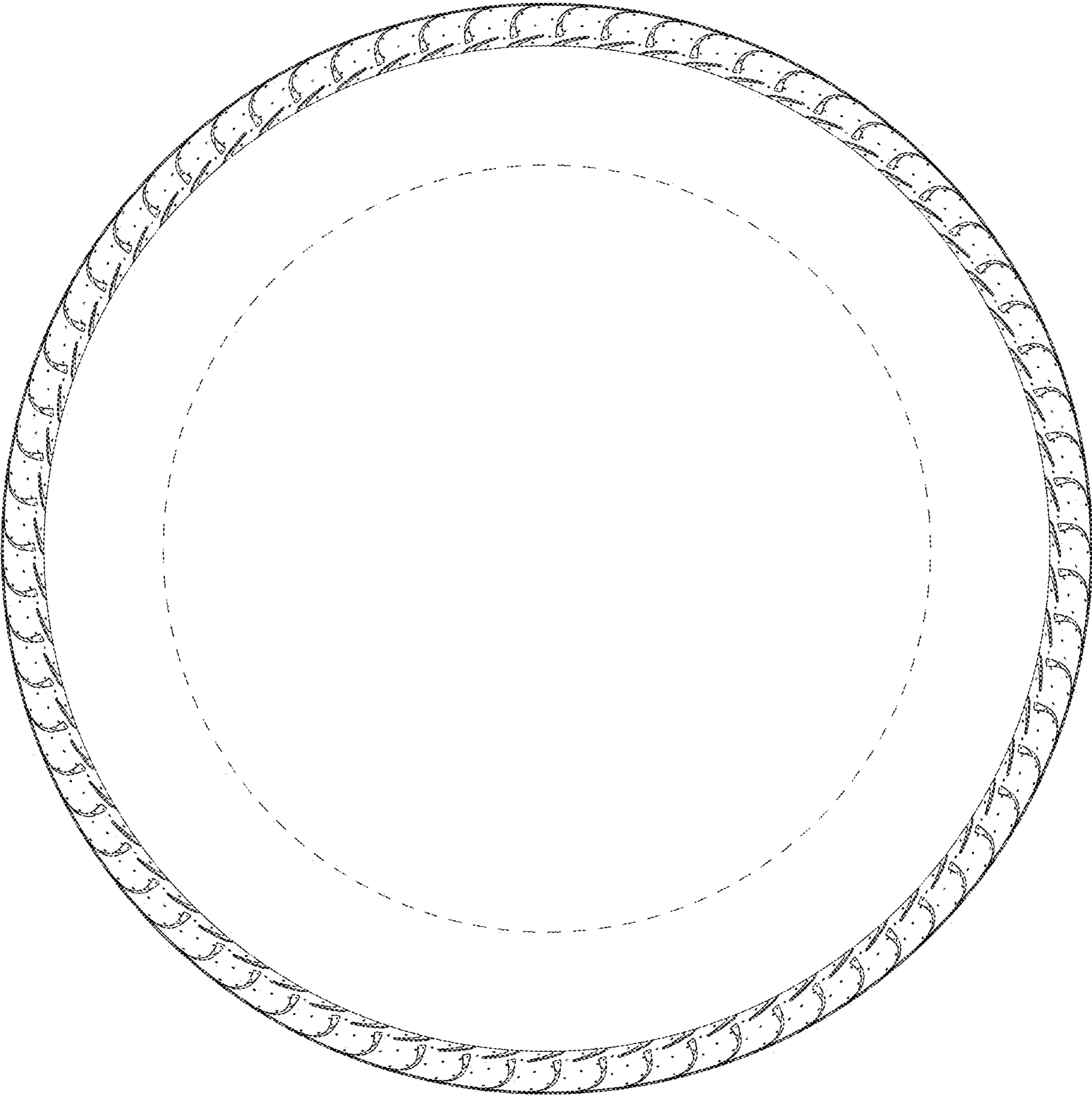
*FIG. 3*



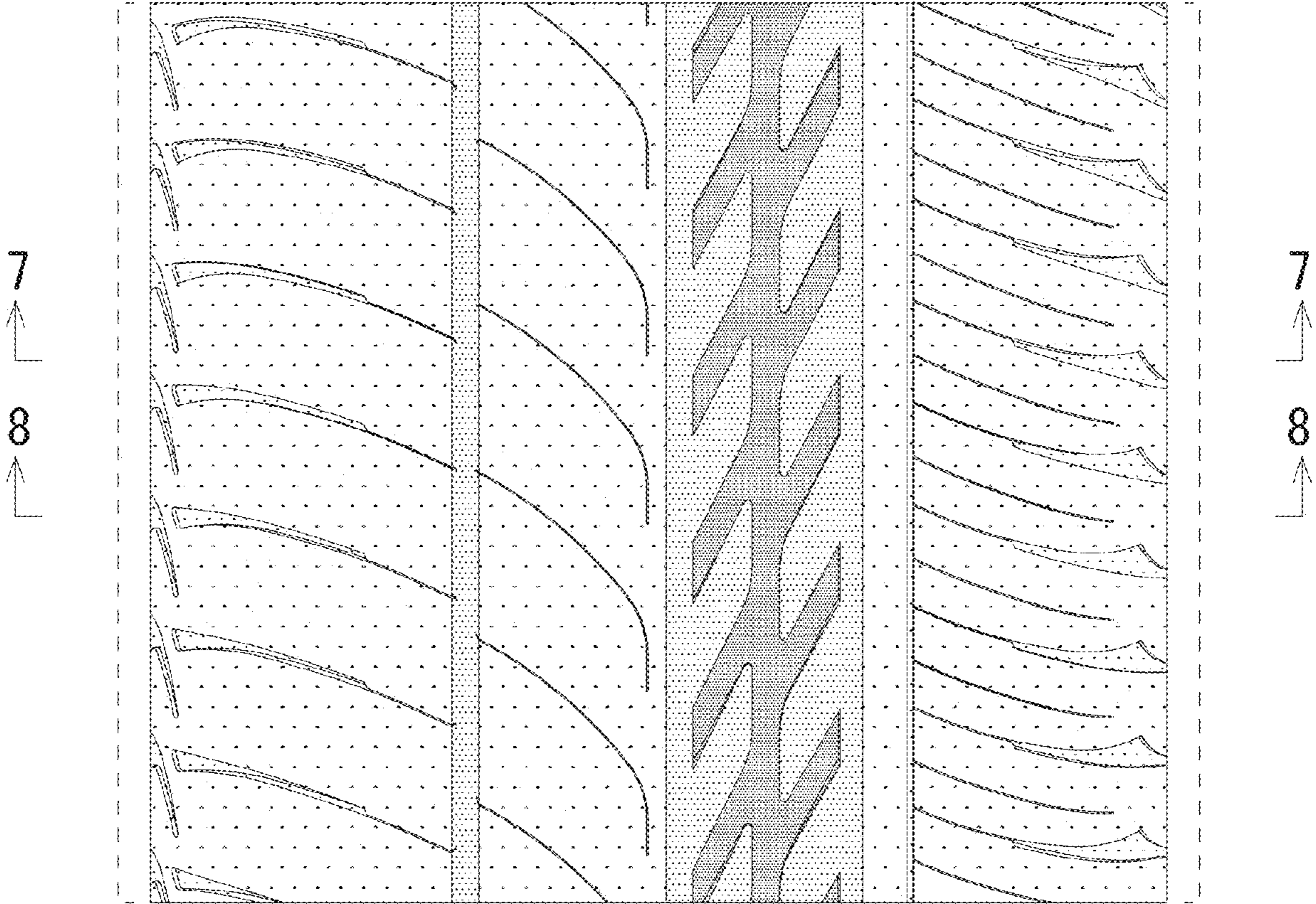
*FIG. 4*



*FIG. 5*

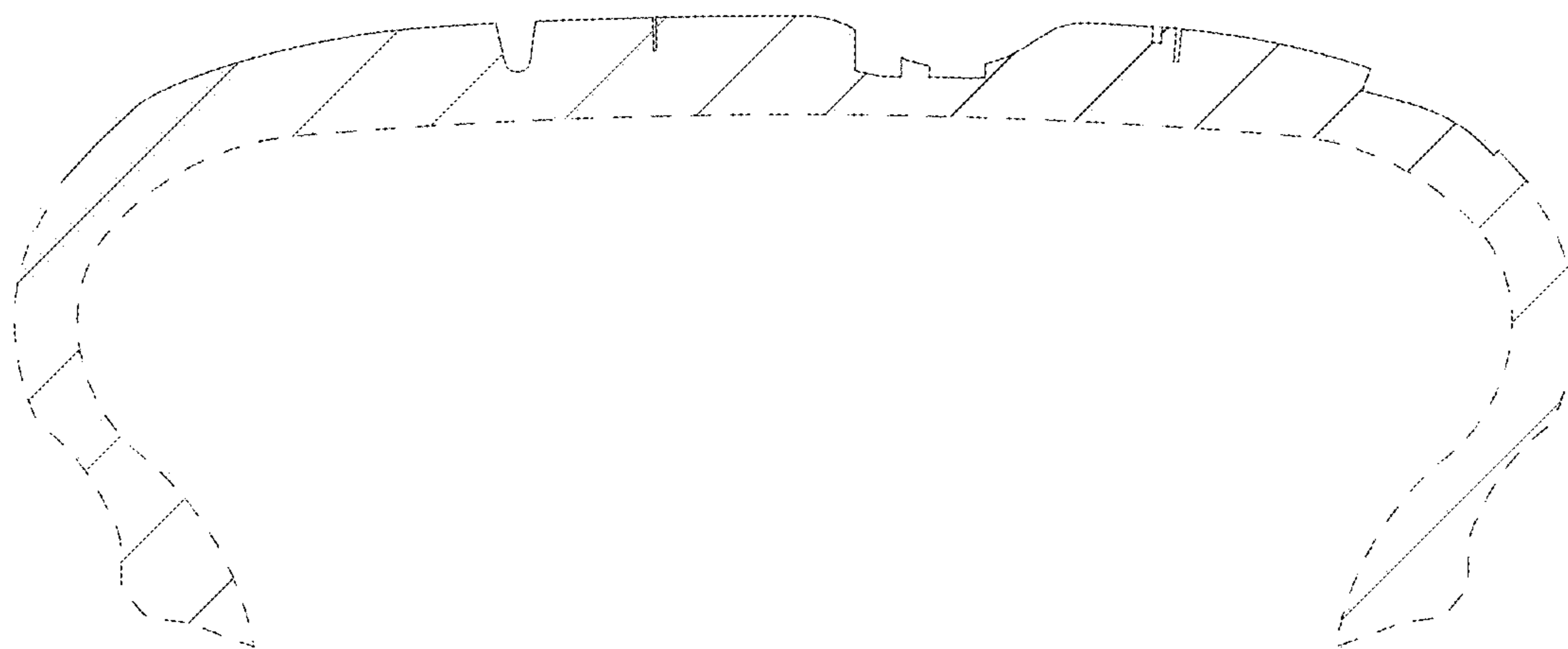


*FIG. 6*





*FIG. 7*



*FIG. 8*

