



US00D931186S

(12) **United States Design Patent** (10) **Patent No.:** **US D931,186 S**  
**Ye** (45) **Date of Patent:** **\*\* Sep. 21, 2021**

(54) **CAR TRASH CAN**  
(71) Applicant: **Guangzhou Yunteng Electronic Commerce Co., Ltd., Guangzhou (CN)**  
(72) Inventor: **Xiaofei Ye, Zhejiang (CN)**  
(73) Assignee: **Guangzhou Yunteng Electronic Commerce Co., Ltd., Guangzhou (CN)**

D658,568 S \* 5/2012 Currier ..... D12/416  
D675,019 S \* 1/2013 Jacobson ..... D3/285  
D679,240 S \* 4/2013 Krankkala ..... D12/416  
D780,666 S \* 3/2017 Currier ..... D12/415  
D784,908 S \* 4/2017 Kalchuri ..... D12/416  
D819,545 S \* 6/2018 O'Connor ..... D12/416  
D825,436 S \* 8/2018 Currier ..... D12/415  
D875,028 S \* 2/2020 Ma  
D890,079 S \* 7/2020 Chen ..... D12/423  
D908,356 S \* 1/2021 Currier ..... D3/283  
D920,221 S \* 5/2021 Yang ..... D12/415

(\*\*) Term: **15 Years**

\* cited by examiner

(21) Appl. No.: **29/759,620**

*Primary Examiner* — Katrina A Betton

(22) Filed: **Nov. 24, 2020**

(57) **CLAIM**

(51) **LOC (13) Cl.** ..... **12-16**

The ornamental design for a car trash can, as shown and described.

(52) **U.S. Cl.**  
USPC ..... **D12/415**

**DESCRIPTION**

(58) **Field of Classification Search**  
USPC ..... D12/415-420, 400, 191, 423; D6/513, D6/514, 611, 553, 556, 559; D14/253  
CPC ..... B60R 2011/0005; B60R 11/02  
See application file for complete search history.

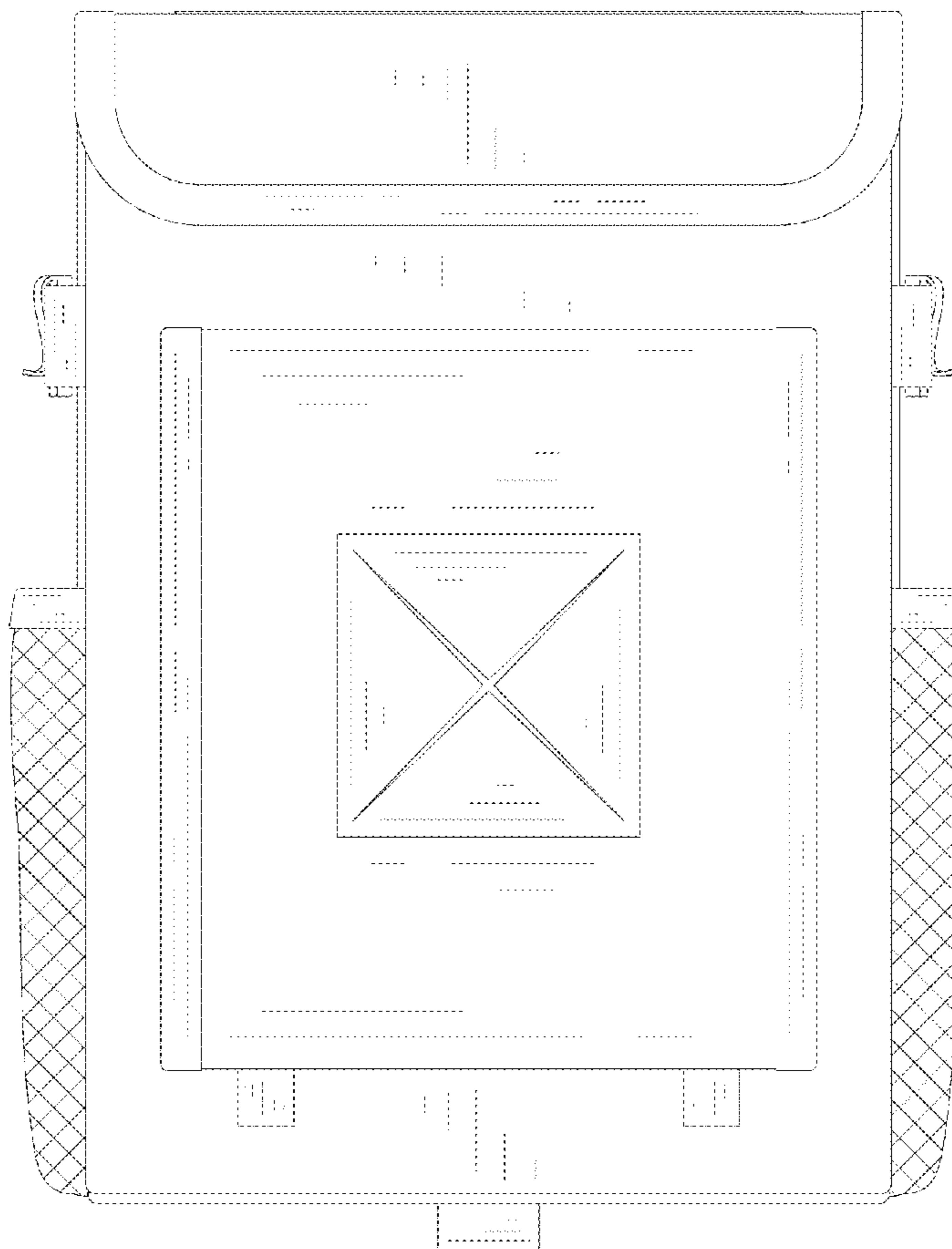
FIG. 1 is a perspective view of a car trash can showing my new design;  
FIG. 2 is a front view thereof;  
FIG. 3 is a back view thereof;  
FIG. 4 is a left side view thereof;  
FIG. 5 is a right side view thereof;  
FIG. 6 is a top view thereof; and,  
FIG. 7 is a bottom plan view thereof.

(56) **References Cited**

U.S. PATENT DOCUMENTS

**1 Claim, 7 Drawing Sheets**

D309,209 S 7/1990 Oliemans et al.  
D506,434 S \* 6/2005 Ling ..... D12/416



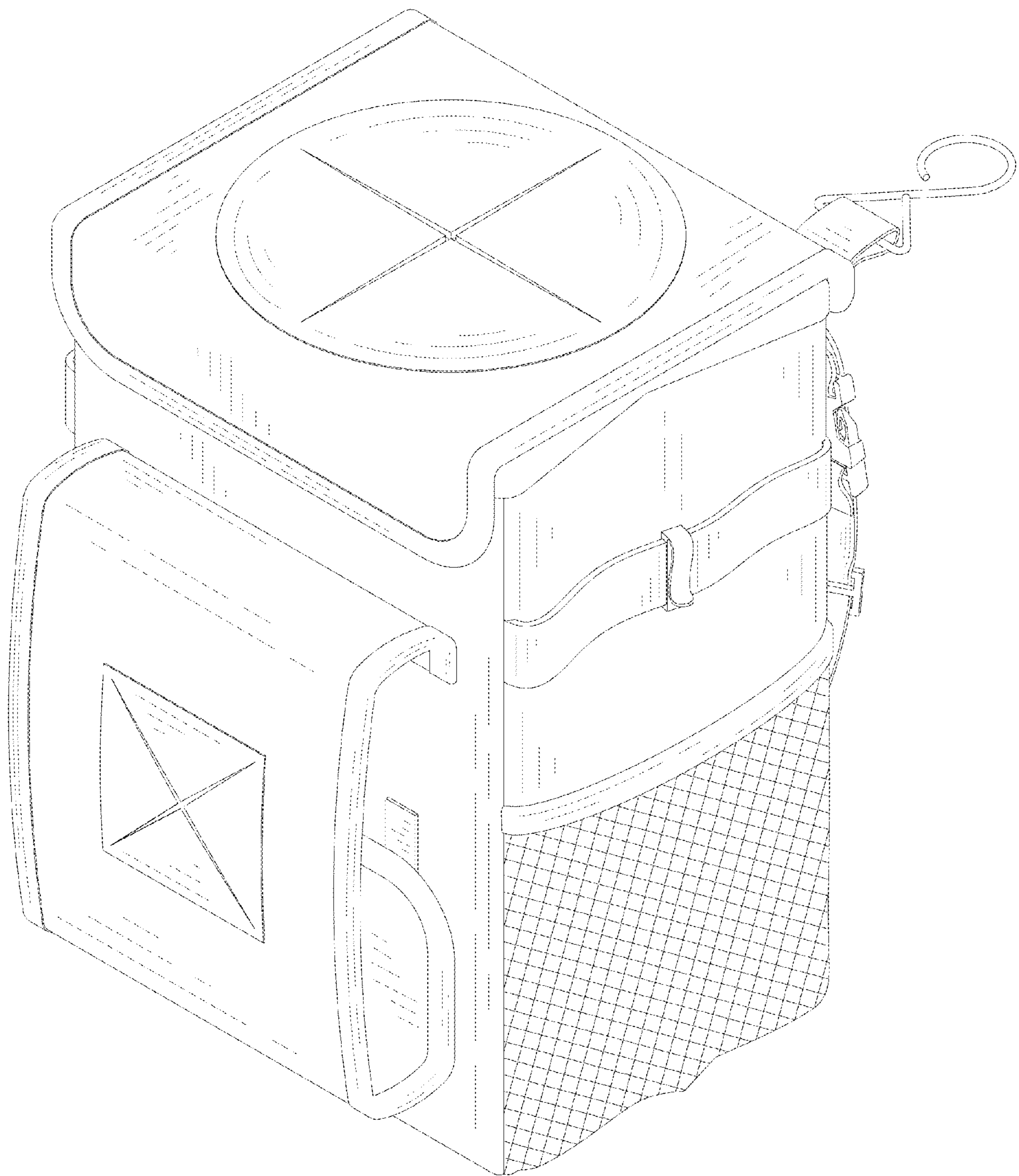


FIG.1

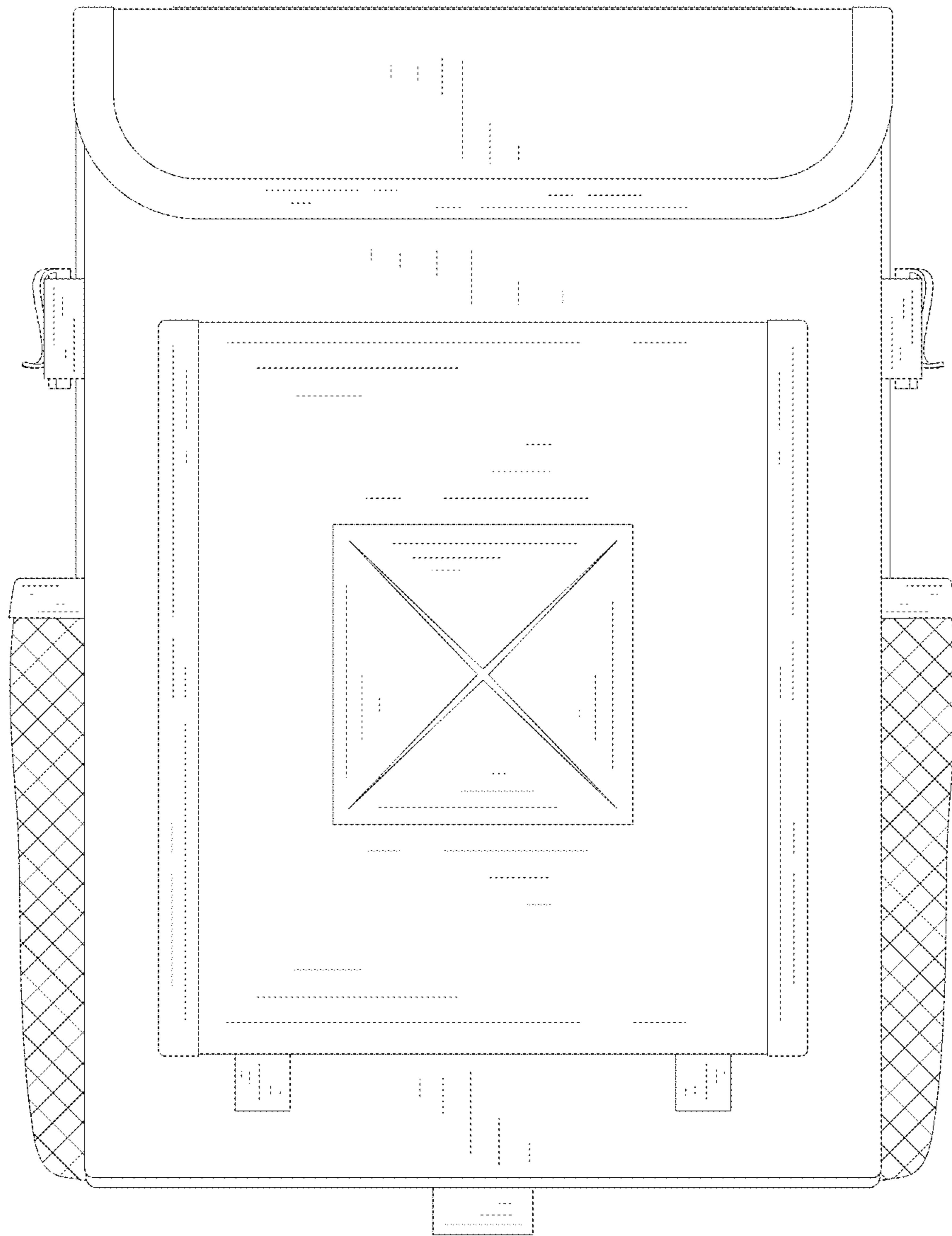


FIG. 2

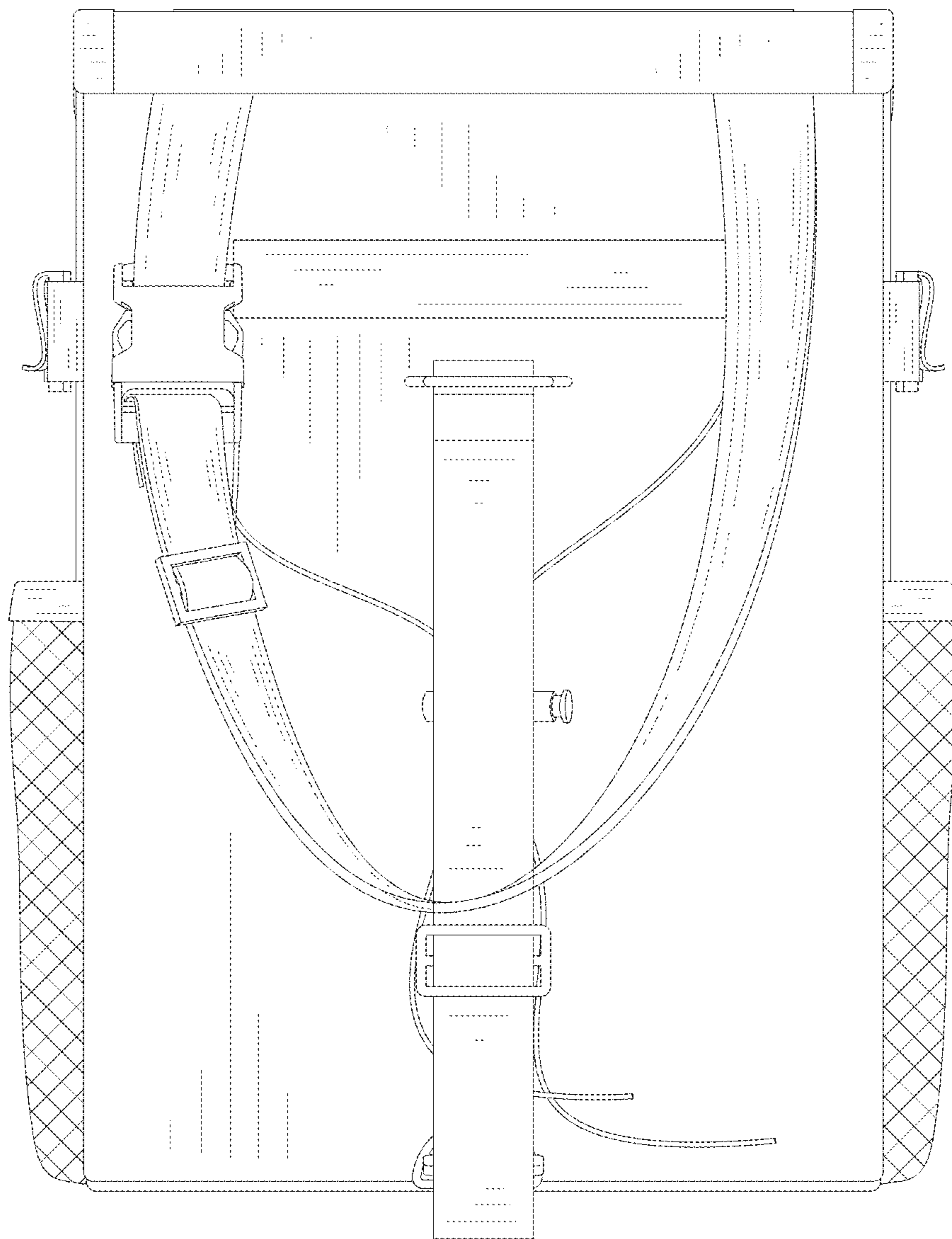


FIG. 3

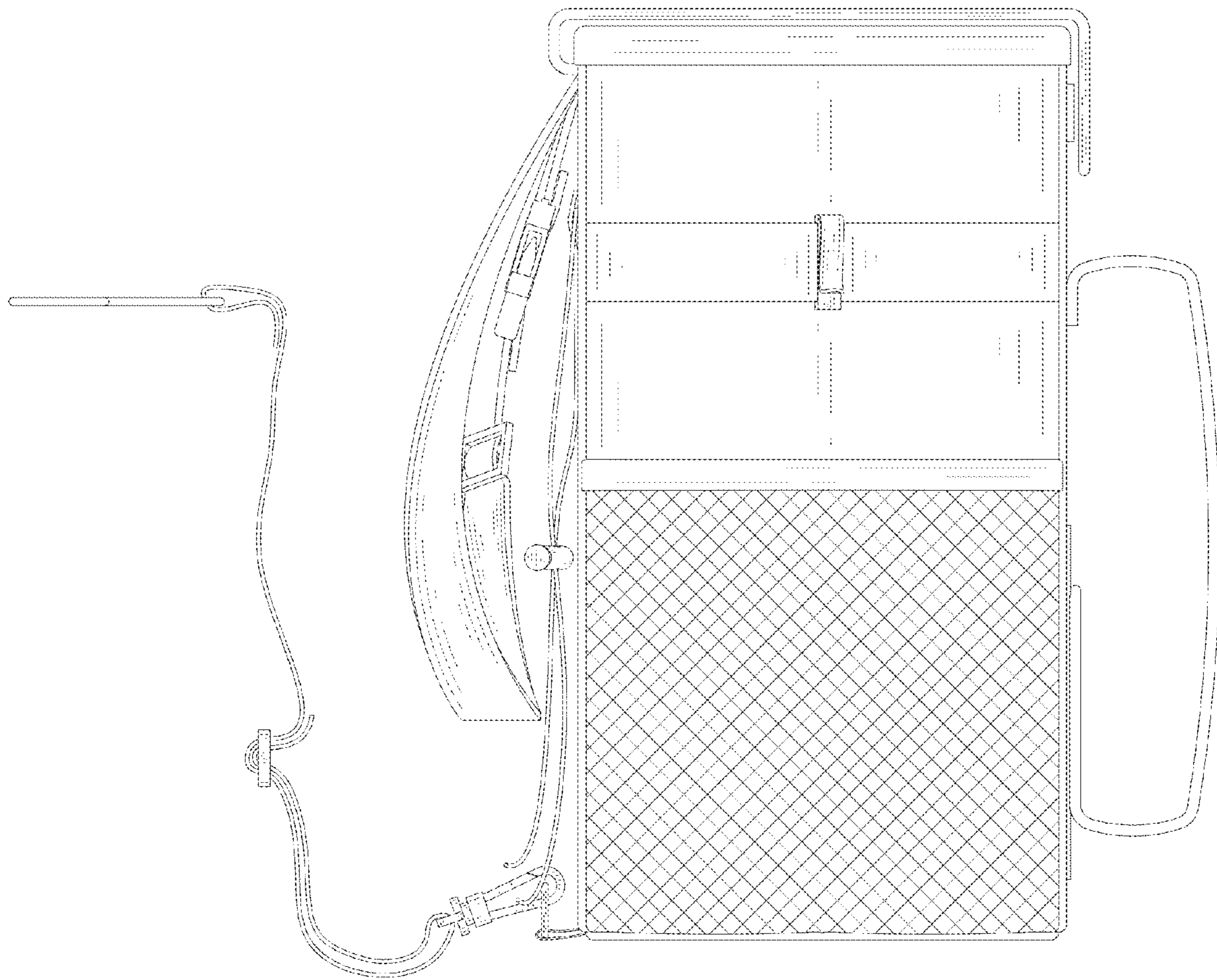


FIG. 4

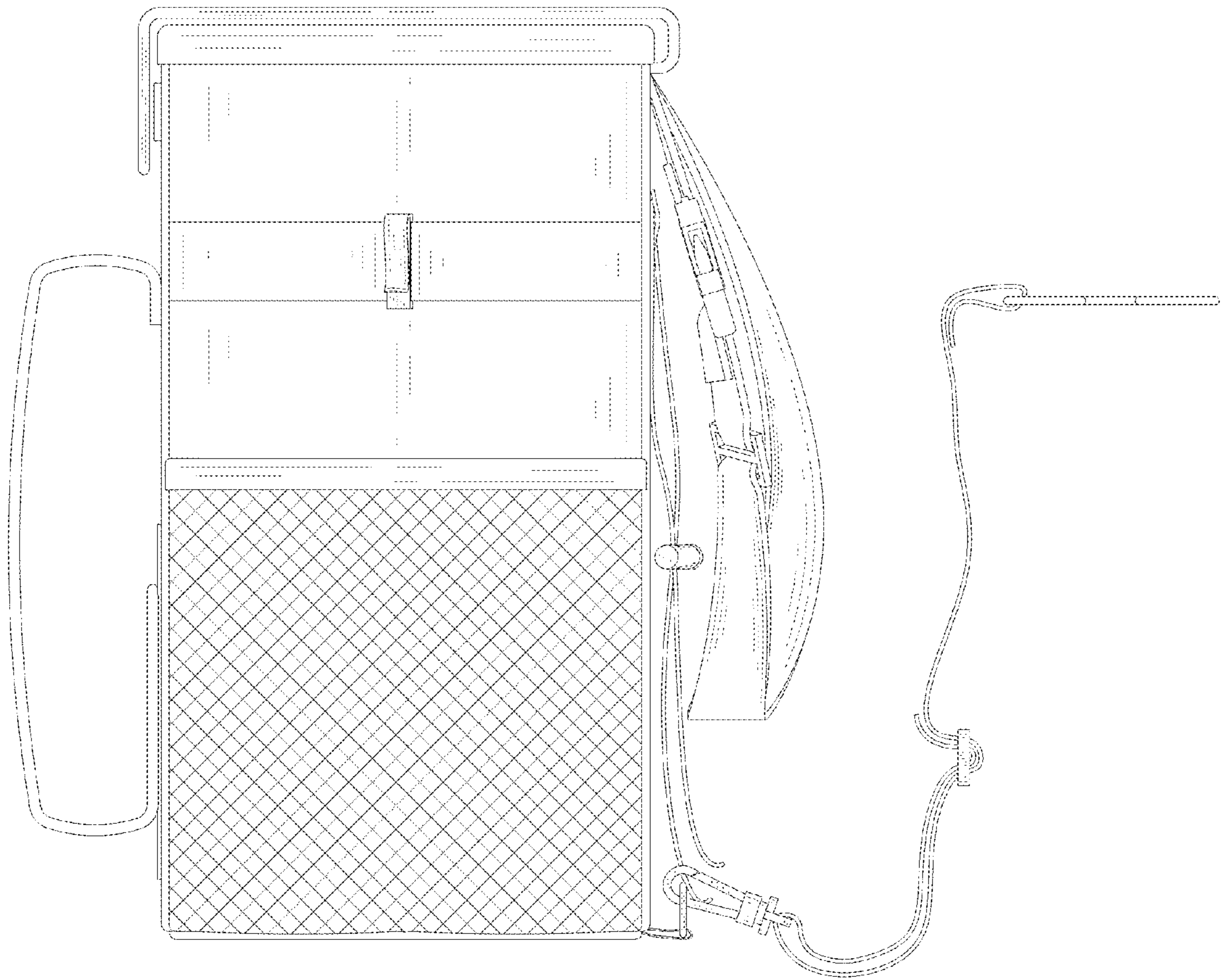


FIG.5

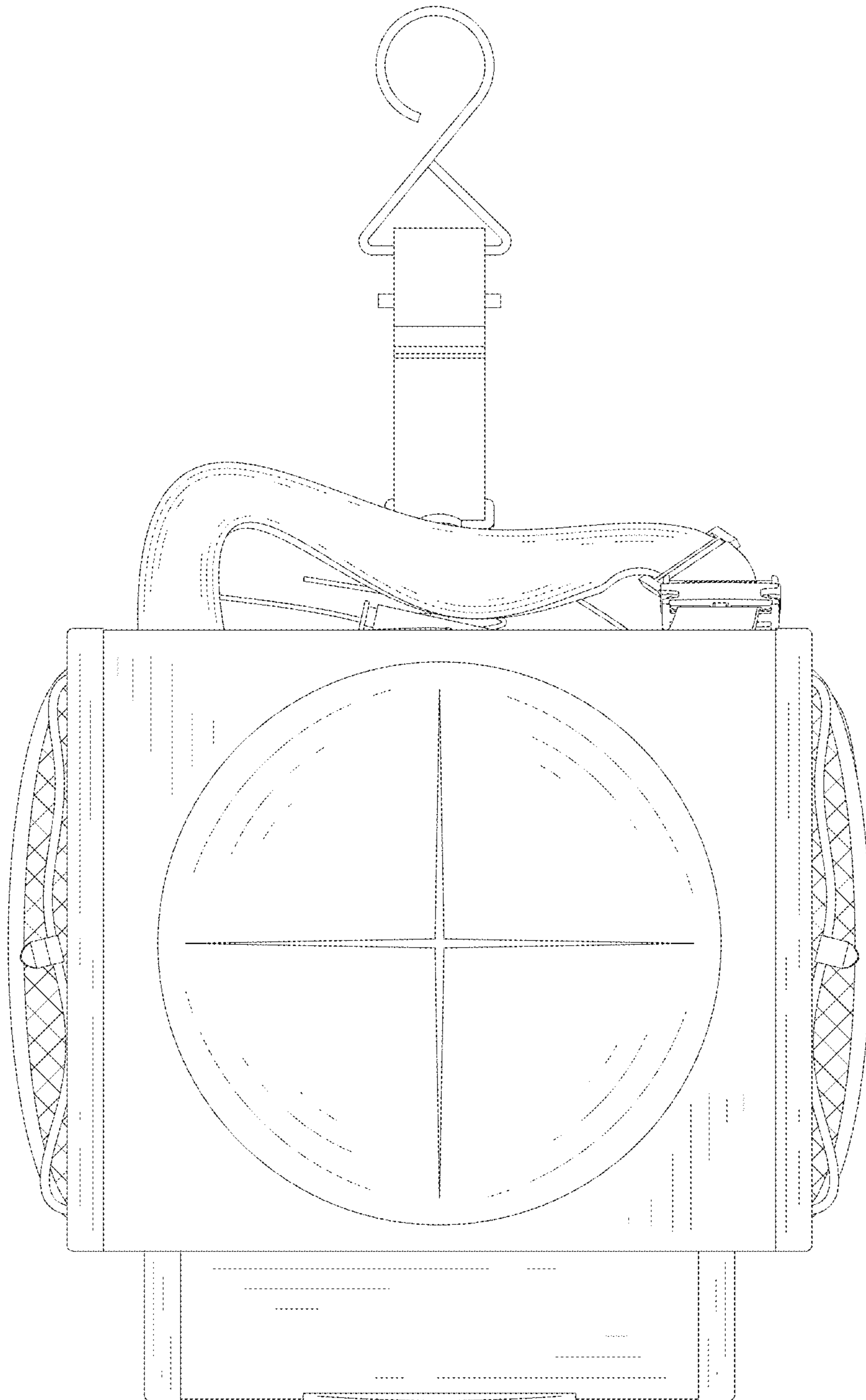


FIG. 6

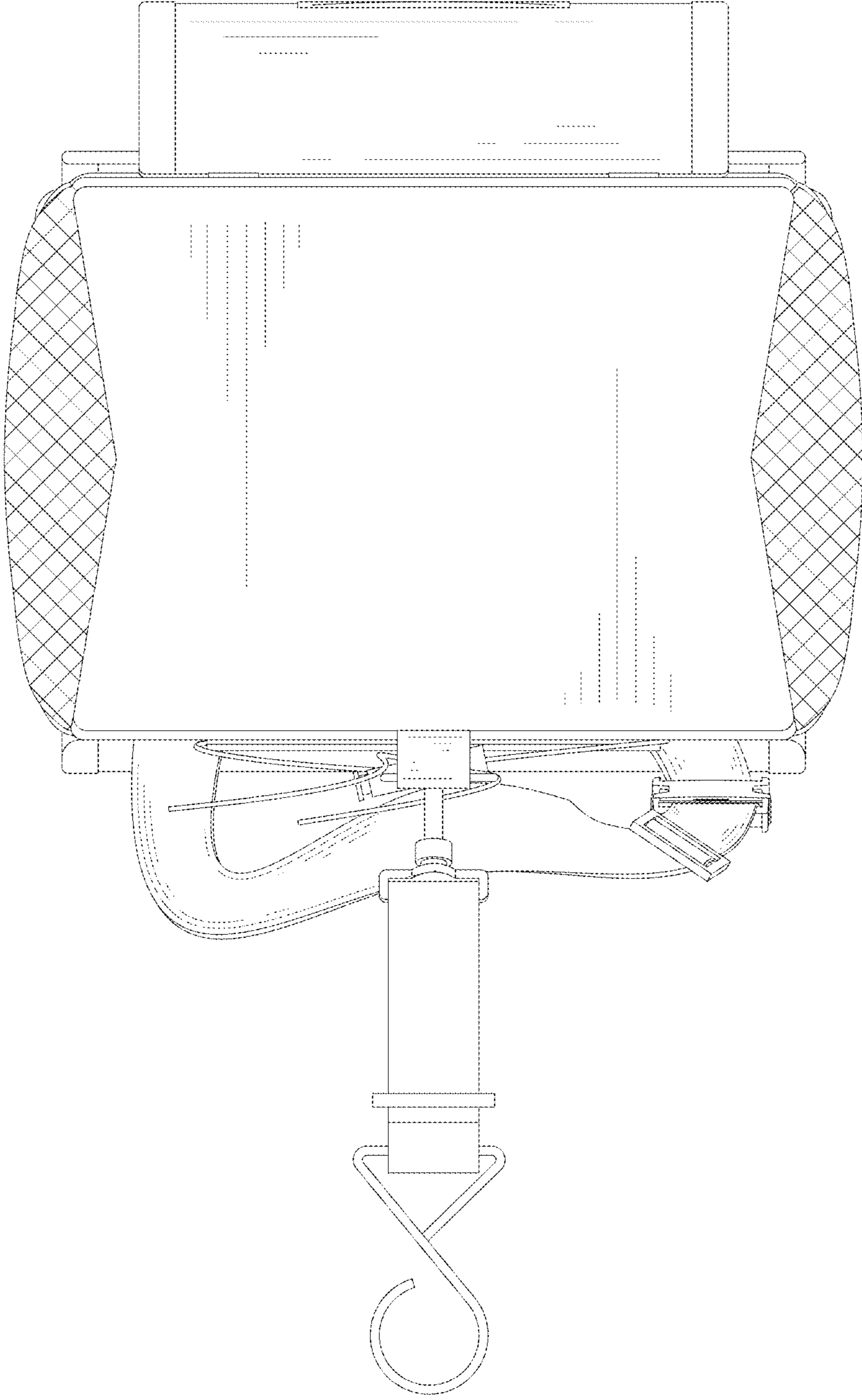


FIG. 7