



US00D931185S

(12) **United States Design Patent**  
**Zhang et al.**

(10) **Patent No.:** **US D931,185 S**

(45) **Date of Patent:** **\*\* Sep. 21, 2021**

(54) **CELL PHONE HOLDER FOR VEHICLE**

(71) Applicant: **UGREEN GROUP LIMITED,**  
Shenzhen (CN)

(72) Inventors: **Qingsen Zhang,** Shenzhen (CN);  
**Junling Chen,** Shenzhen (CN); **Tuo**  
**Zhu,** Shenzhen (CN)

(\*\*) Term: **15 Years**

(21) Appl. No.: **29/733,147**

(22) Filed: **Apr. 30, 2020**

(51) **LOC (13) Cl.** ..... **12-16**

(52) **U.S. Cl.**  
USPC ..... **D12/415**

(58) **Field of Classification Search**

USPC ..... D12/415, 417, 420, 177, 182, 192, 220,  
D12/223, 191, 195, 345, 400, 114, 106,  
D12/96; D13/107-110, 118-119, 184;  
D14/251, 253, 432, 434; 296/70, 24.3,  
296/37.18

CPC B60R 21/045; B60R 7/06; B60R 7/00; B60R  
2300/20; B60R 2300/205; B60R  
2300/207; B60K 37/00; B60K 37/04

See application file for complete search history.

(56) **References Cited**

U.S. PATENT DOCUMENTS

D716,215 S \* 10/2014 Dunn ..... D12/415  
D868,054 S \* 11/2019 Kim ..... D14/253

D873,260 S \* 1/2020 Dang ..... D14/253  
D877,066 S \* 3/2020 Zhang ..... D13/108  
D879,090 S \* 3/2020 Chung ..... D14/253  
D926,107 S \* 7/2021 Leeds-Frank ..... D12/415  
D926,108 S \* 7/2021 Leeds-Frank ..... D12/415

\* cited by examiner

*Primary Examiner* — Abraham Bahta

(57) **CLAIM**

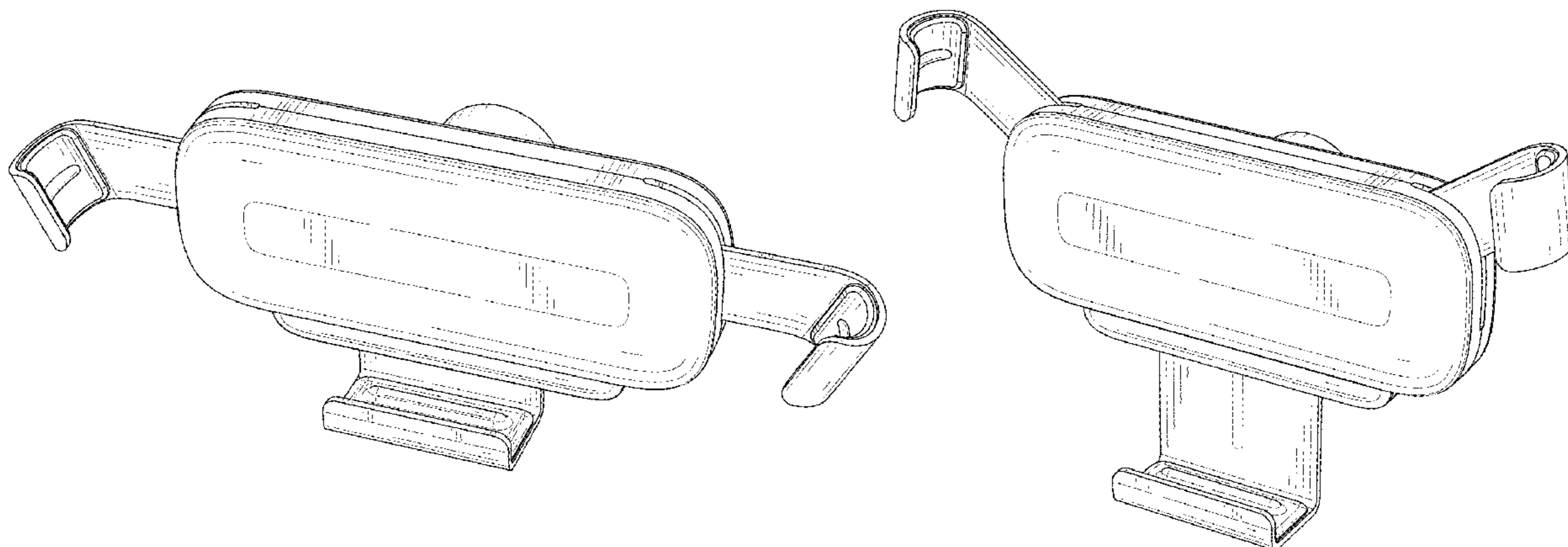
The ornamental design for a cell phone holder for vehicle,  
as shown and described.

**DESCRIPTION**

FIG. 1 is a front and top perspective view of a cell phone holder for vehicle, showing our new design;  
FIG. 2 is a rear and top perspective view thereof;  
FIG. 3 is a front elevational view thereof;  
FIG. 4 is a rear elevational view thereof;  
FIG. 5 is a left side elevational view thereof;  
FIG. 6 is a right side elevational view thereof;  
FIG. 7 is a top plan view thereof;  
FIG. 8 is a bottom plan view thereof; and,  
FIG. 9 is a perspective view thereof; showing the cell phone holder for vehicle in a stretched position.

The broken lines in the figures illustrate portions of the cell phone holder for vehicle that form no part of the claimed design.

**1 Claim, 9 Drawing Sheets**



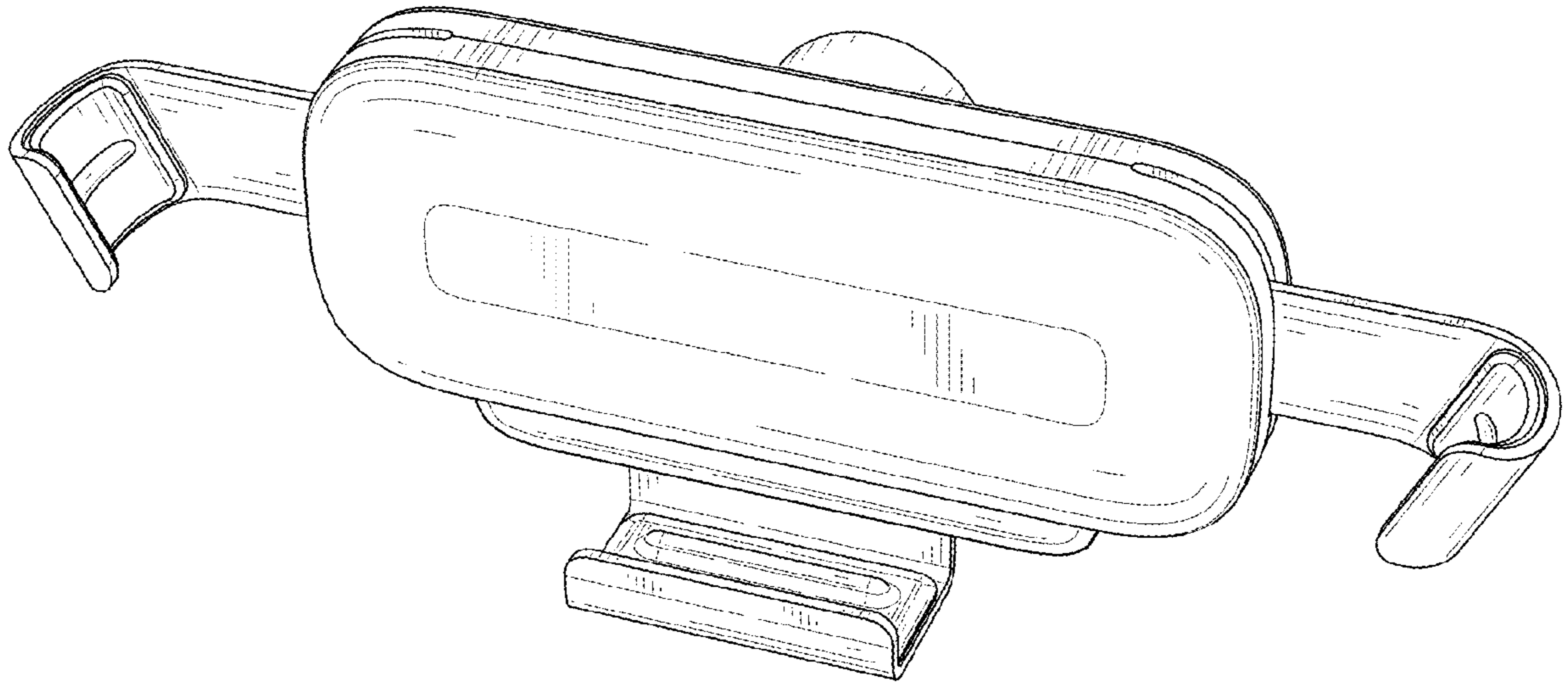


FIG. 1

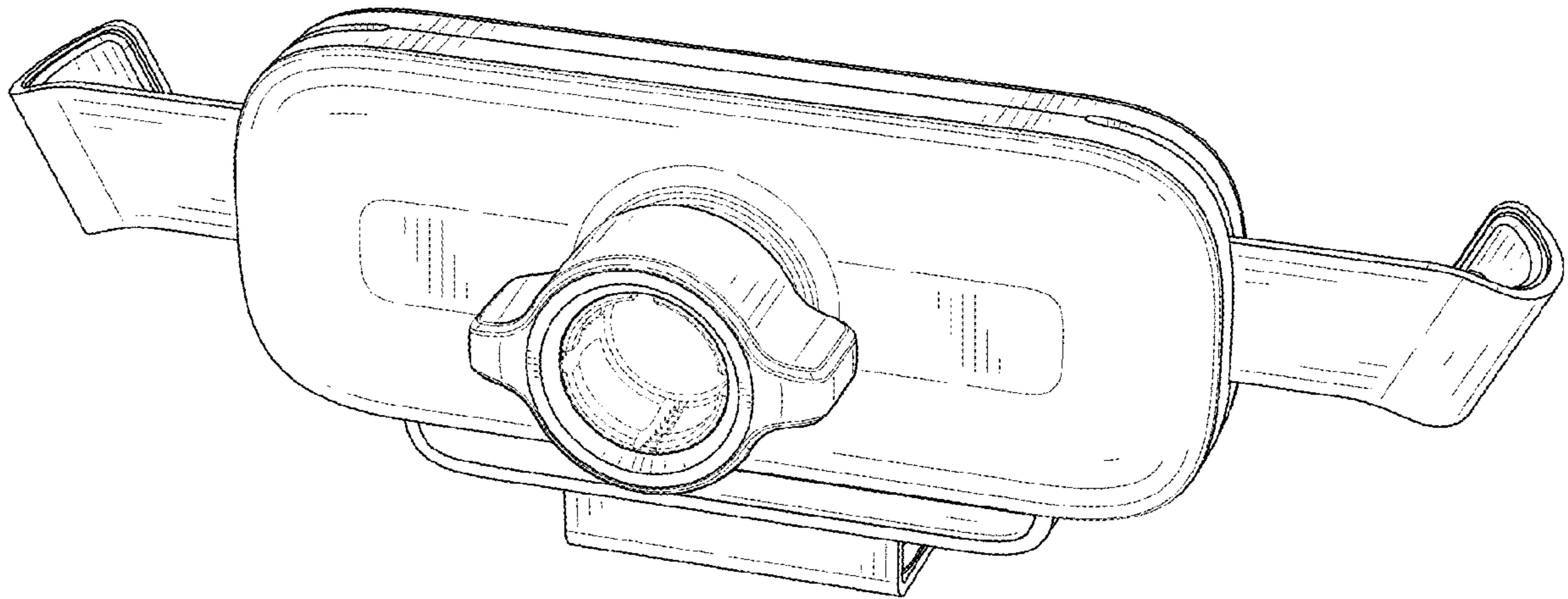


FIG. 2

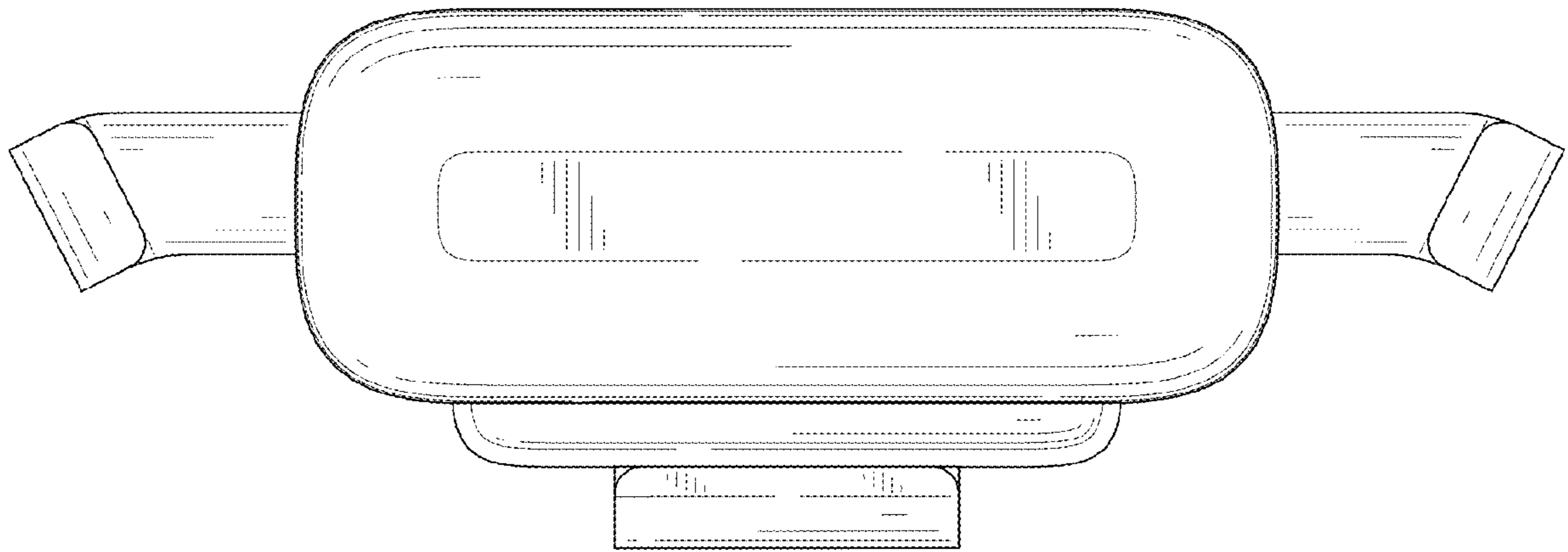


FIG. 3

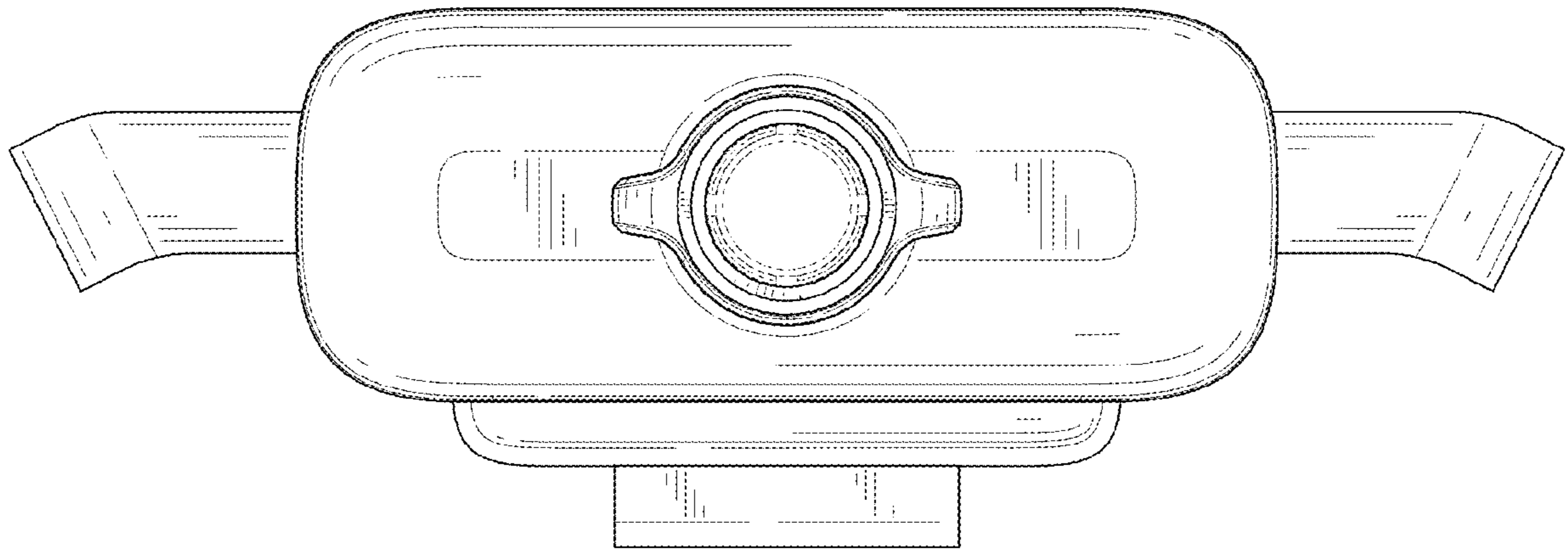


FIG. 4

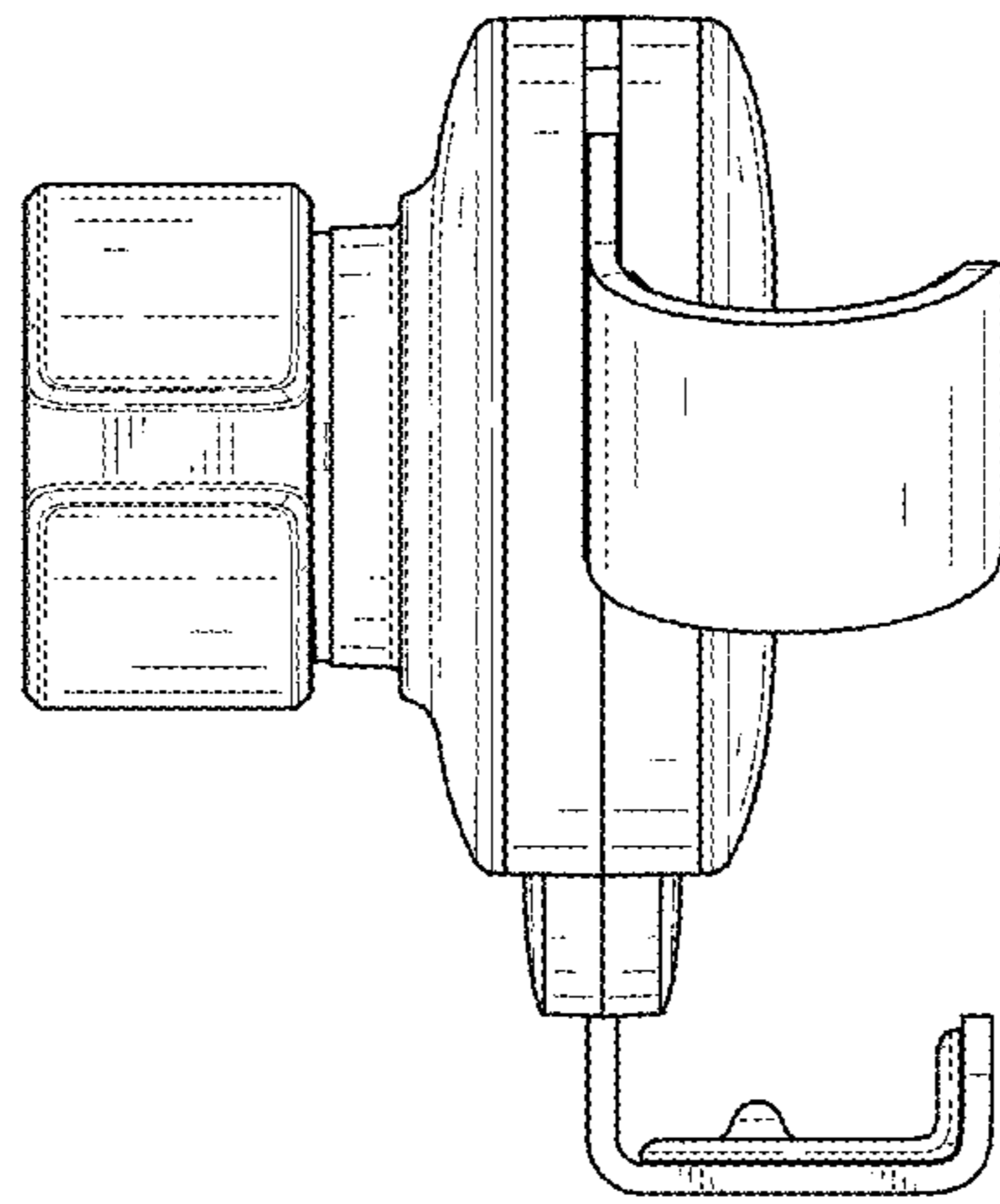


FIG. 5

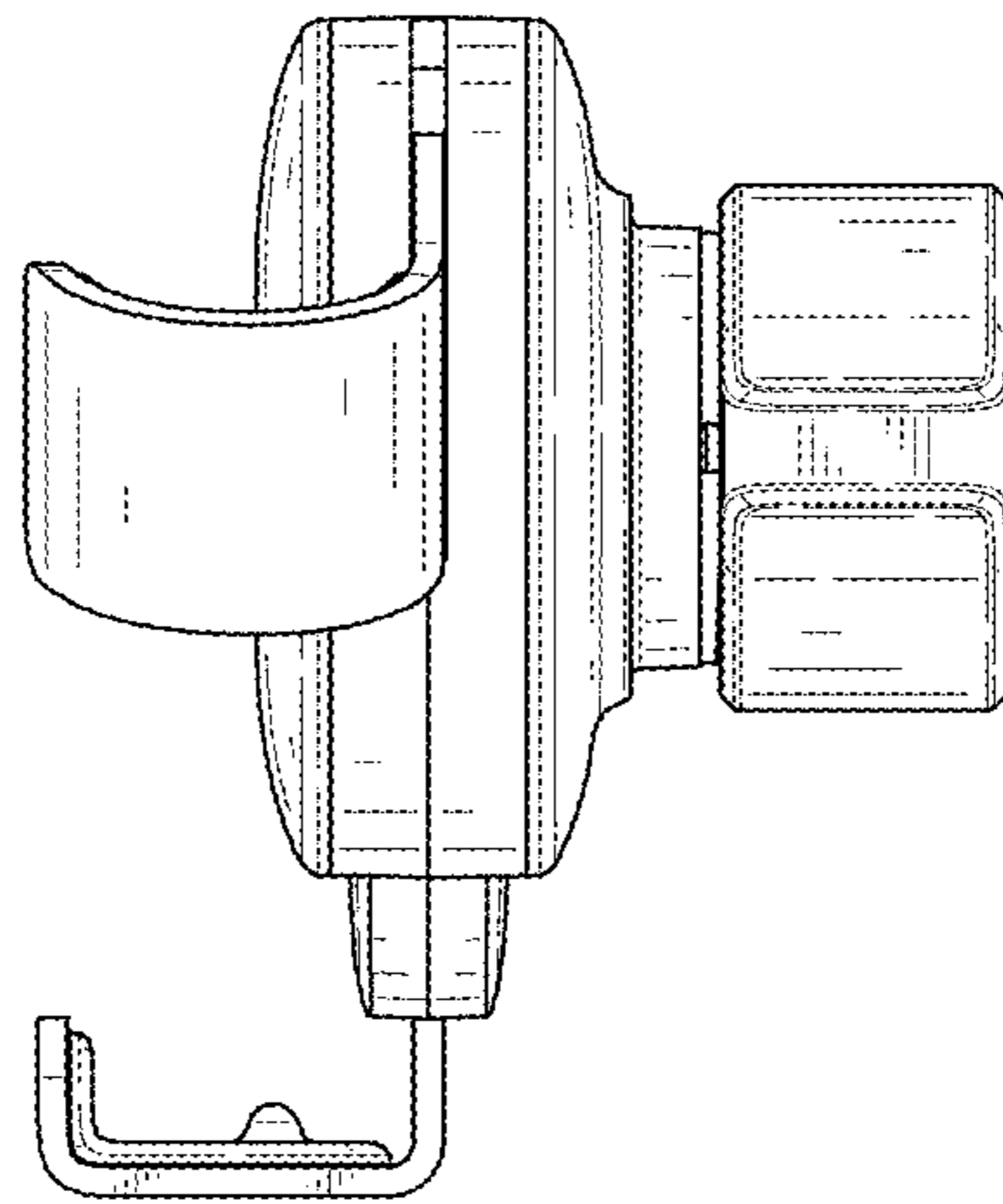


FIG. 6

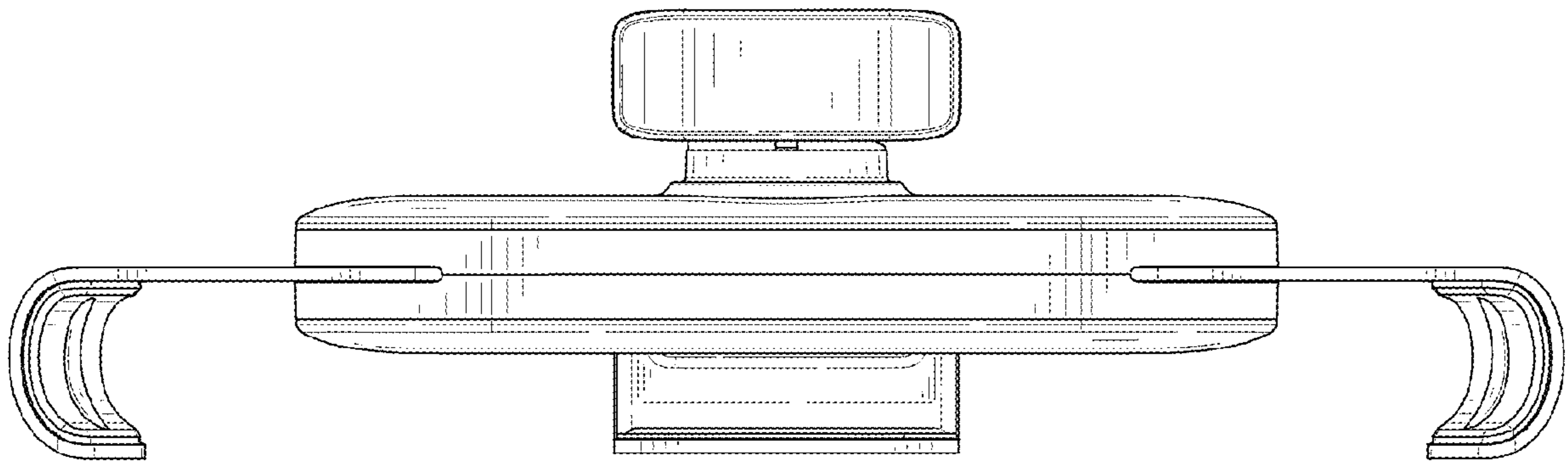


FIG. 7



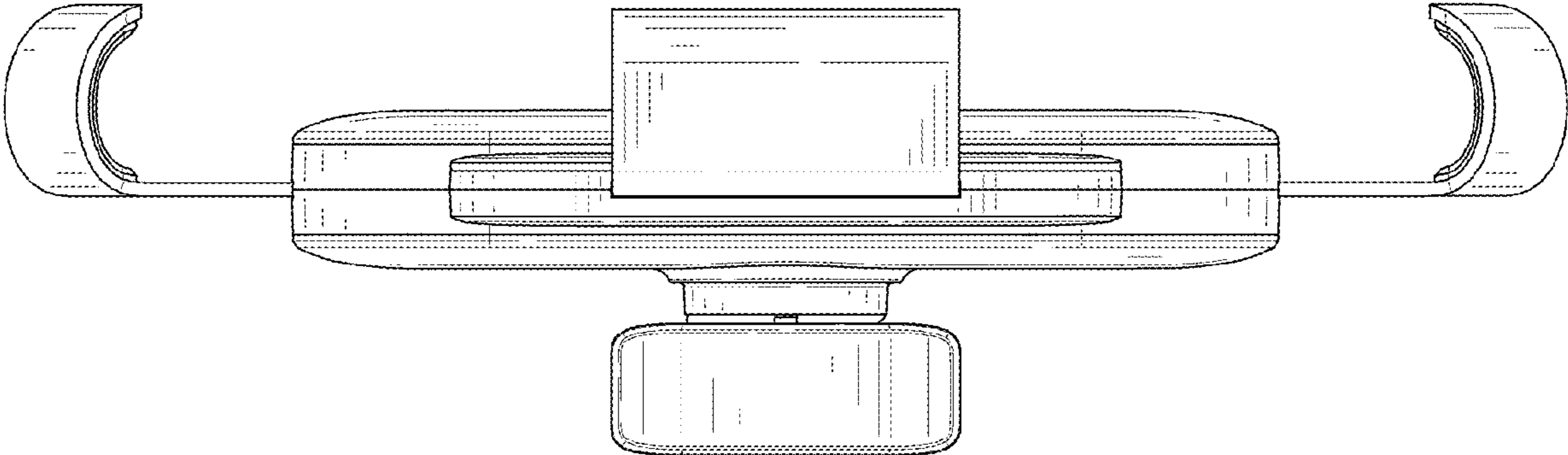


FIG. 8

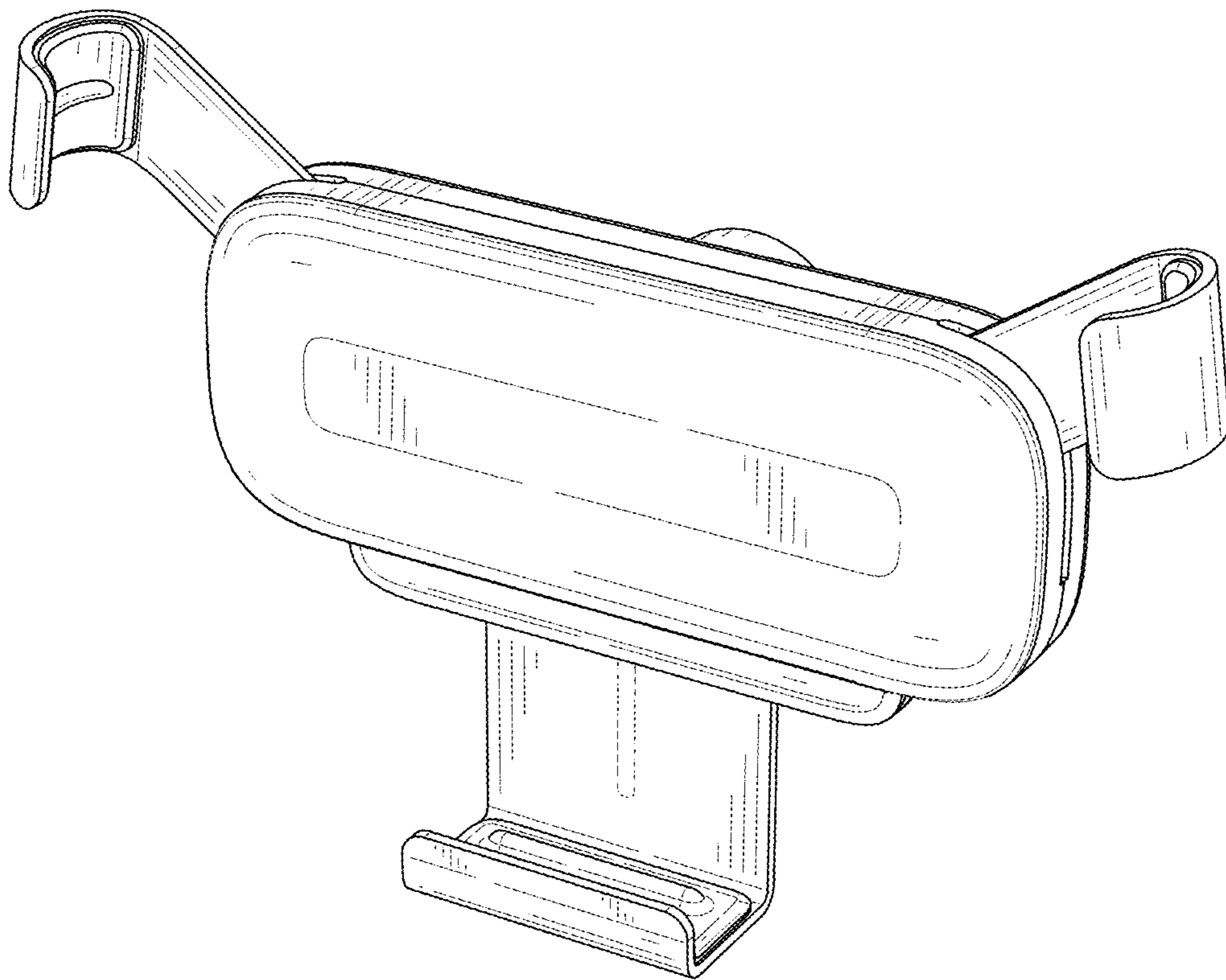


FIG. 9