



US00D931184S

(12) **United States Design Patent** (10) **Patent No.:** **US D931,184 S**
Hedge et al. (45) **Date of Patent:** **** Sep. 21, 2021**

(54) **CONSOLE FOR MOTOR VEHICLE**

(71) Applicant: **MAZDA MOTOR CORPORATION**,
Hiroshima (JP)

(72) Inventors: **Ian Hedge**, Irvine, CA (US); **Daiki Hamanaga**, Hiroshima (JP); **Junko Nakamura**, Hiroshima (JP); **Yuuki Suga**, Hiroshima (JP); **Atsuo Iwabuchi**, Hiroshima (JP); **Ryo Tsubosaka**, Hiroshima (JP); **Ayumu Tabuki**, Hiroshima (JP); **Yoshihide Hamatani**, Hiroshima (JP)

(73) Assignee: **MAZDA MOTOR CORPORATION**,
Hiroshima (JP)

(**) Term: **15 Years**

(21) Appl. No.: **29/717,015**

(22) Filed: **Dec. 13, 2019**

(30) **Foreign Application Priority Data**

Sep. 20, 2019 (JP) 2019-021055

(51) **LOC (13) Cl.** **12-16**

(52) **U.S. Cl.**
USPC **D12/415**

(58) **Field of Classification Search**
USPC D12/415-420, 400, 195, 191, 106, 345,
D12/96, 99; 296/190.01, 191, 70
CPC B60R 7/04; B60R 7/06; B60R 7/08; B60K
37/00; B60K 37/02; B60K 37/04; B60K
37/06

See application file for complete search history.

(56) **References Cited**

U.S. PATENT DOCUMENTS

D673,496 S *	1/2013	Kikuta	D12/415
D836,059 S *	12/2018	Takagi	D12/415
D836,060 S *	12/2018	Takagi	D12/415
D876,318 S *	2/2020	Ray	D12/415
D890,078 S *	7/2020	Nakao	D12/415
D908,073 S *	1/2021	Warner	D12/415

* cited by examiner

Primary Examiner — Abraham Bahta

(74) *Attorney, Agent, or Firm* — Stuebaker & Brackett
PC

(57) **CLAIM**

The ornamental design for a console for motor vehicle, as shown and described.

DESCRIPTION

FIG. 1 is a first perspective view of a console for motor vehicle;
 FIG. 2 is a second perspective view thereof;
 FIG. 3 is a front view thereof;
 FIG. 4 is a rear view thereof;
 FIG. 5 is a left side view thereof;
 FIG. 6 is a right side view thereof;
 FIG. 7 is a top view thereof; and,
 FIG. 8 is a bottom view thereof.

The portions of the console for motor vehicle shown throughout the drawing views and de-emphasized in half-tone portions circumscribed by the dot-dash broken lines and the dot-dash broken lines representing the boundary and configuration of what is claimed as the design are for environmental and illustrative purposes that form no part of the claimed design.

1 Claim, 7 Drawing Sheets

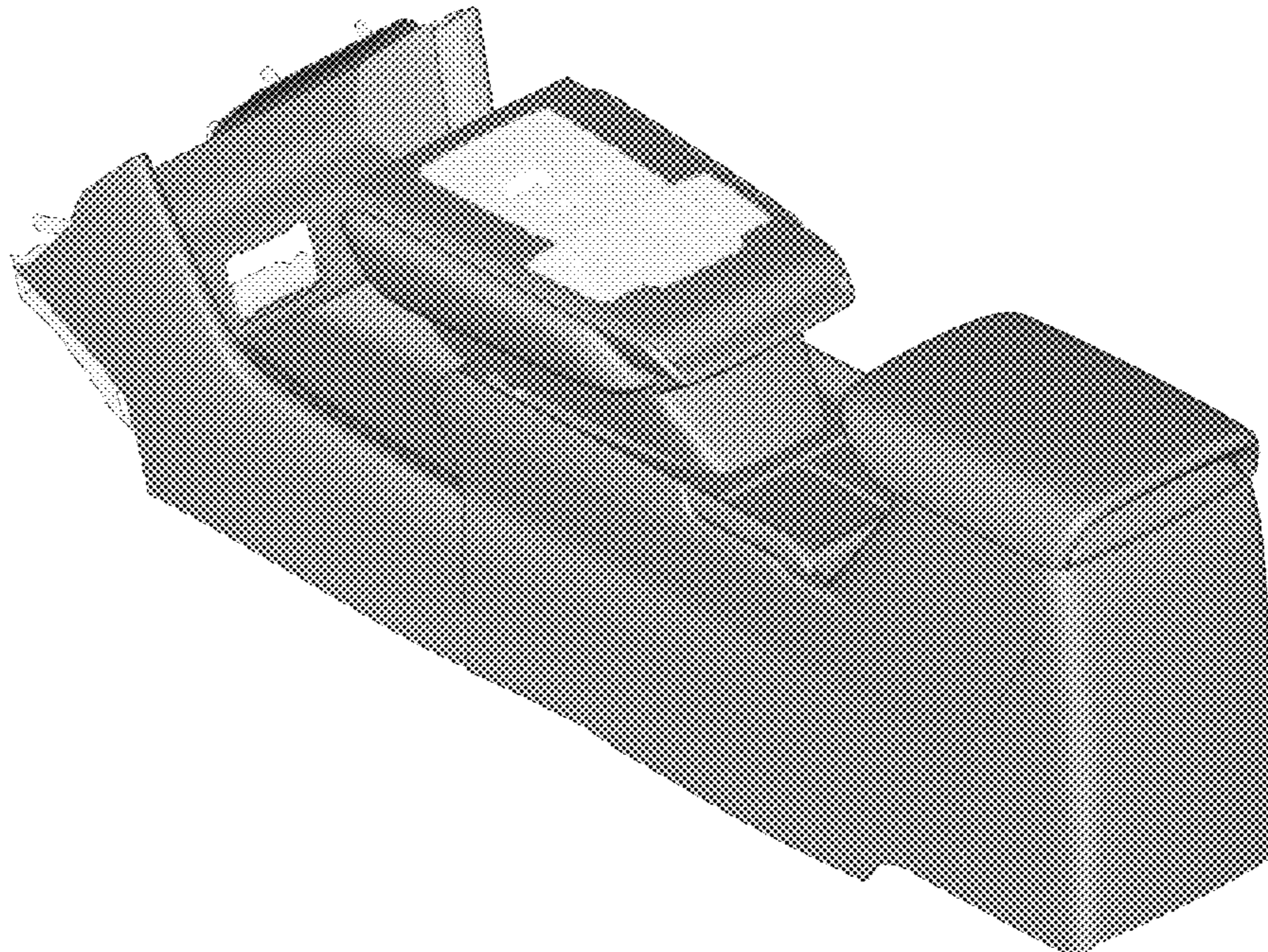




FIG.1

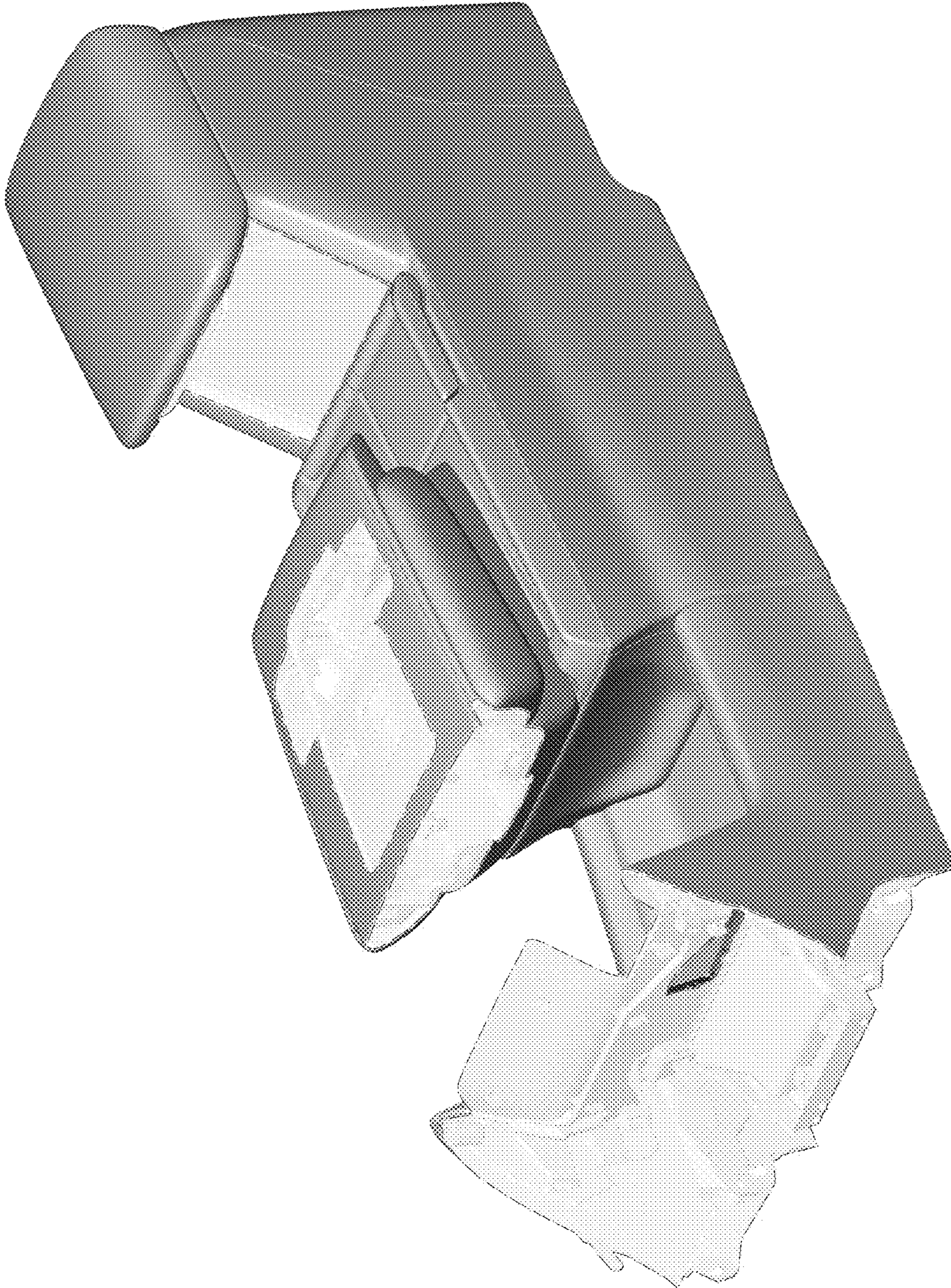


FIG.2

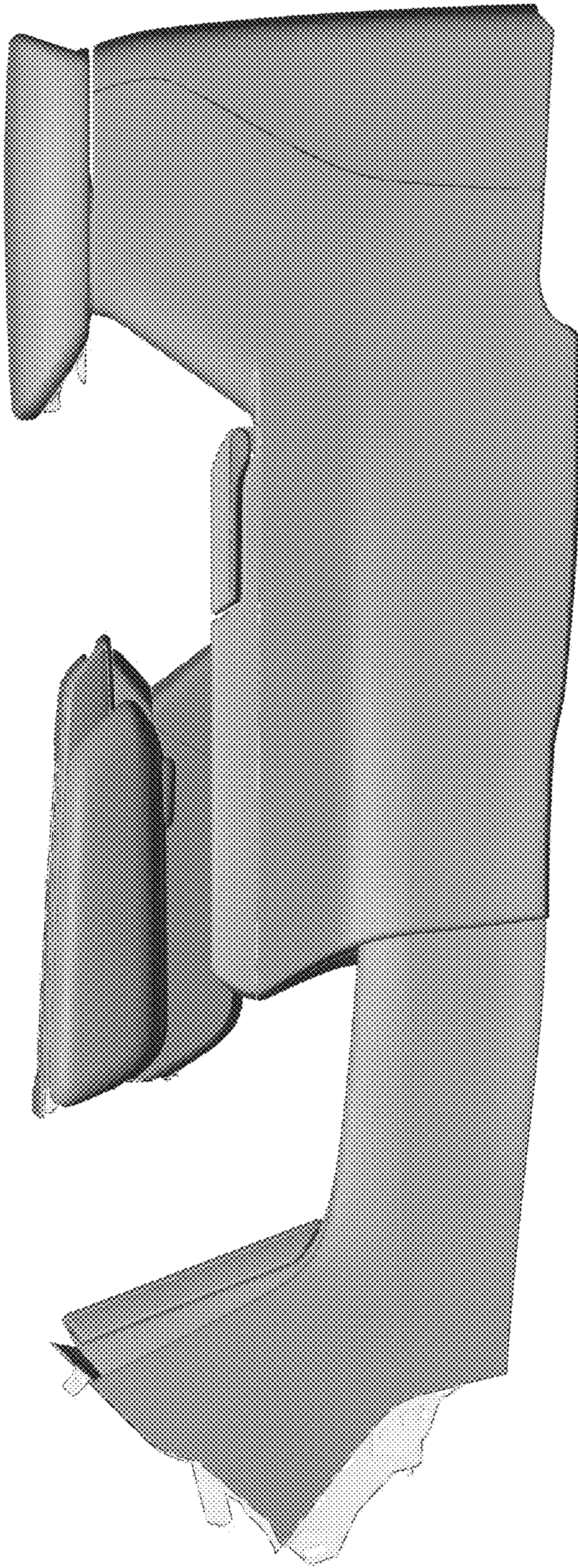


FIG.3

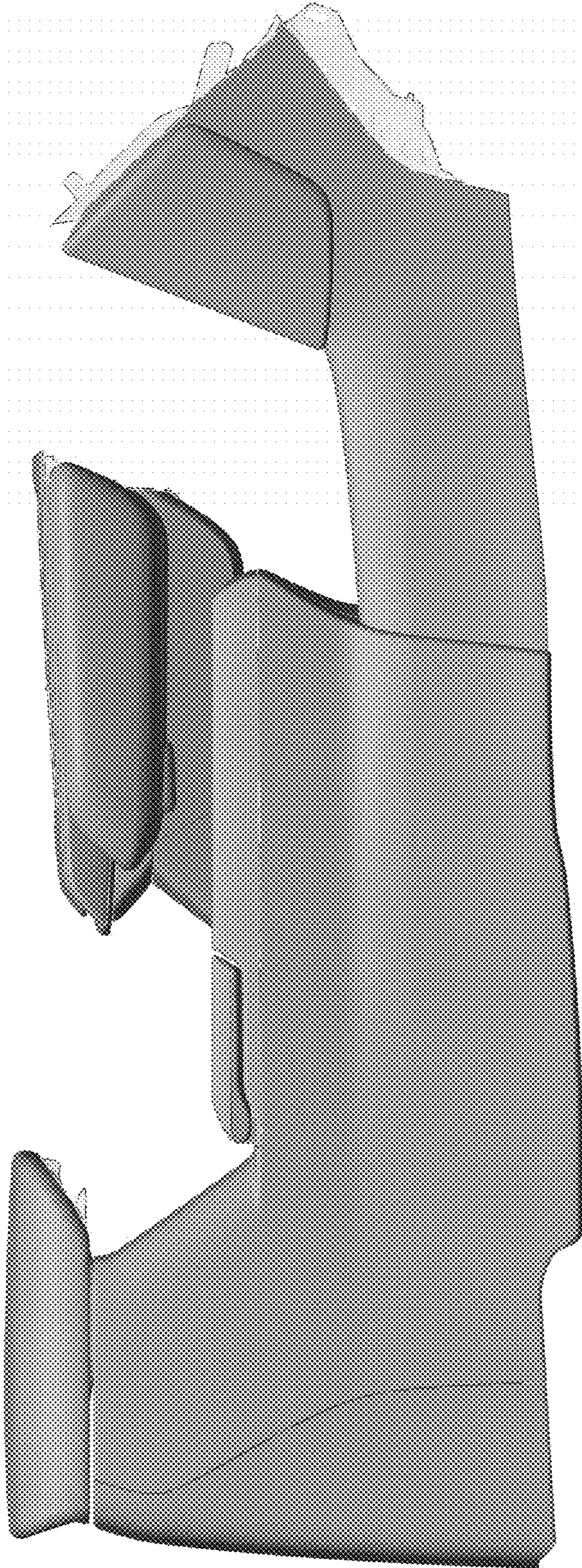


FIG.4

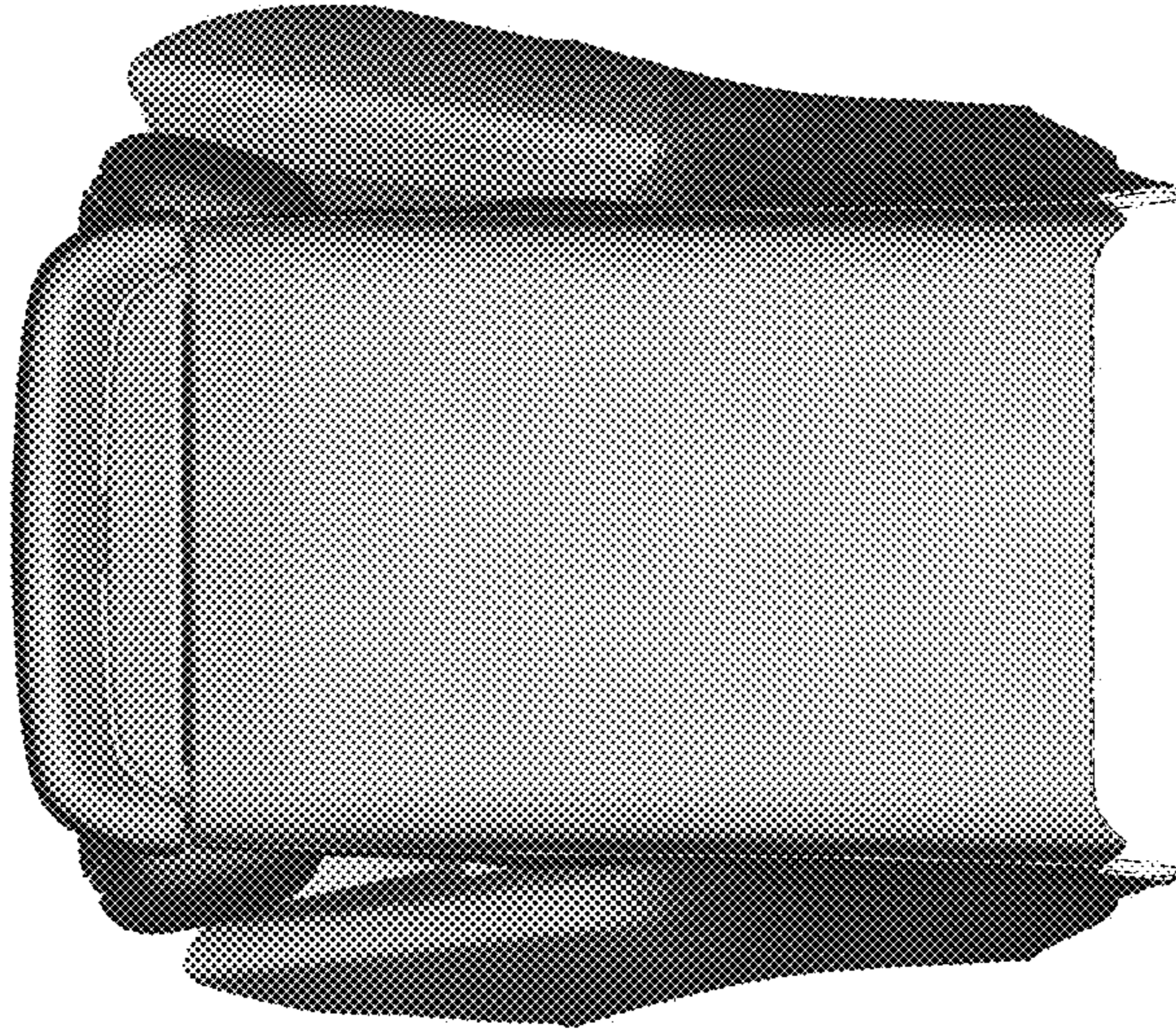


FIG.6

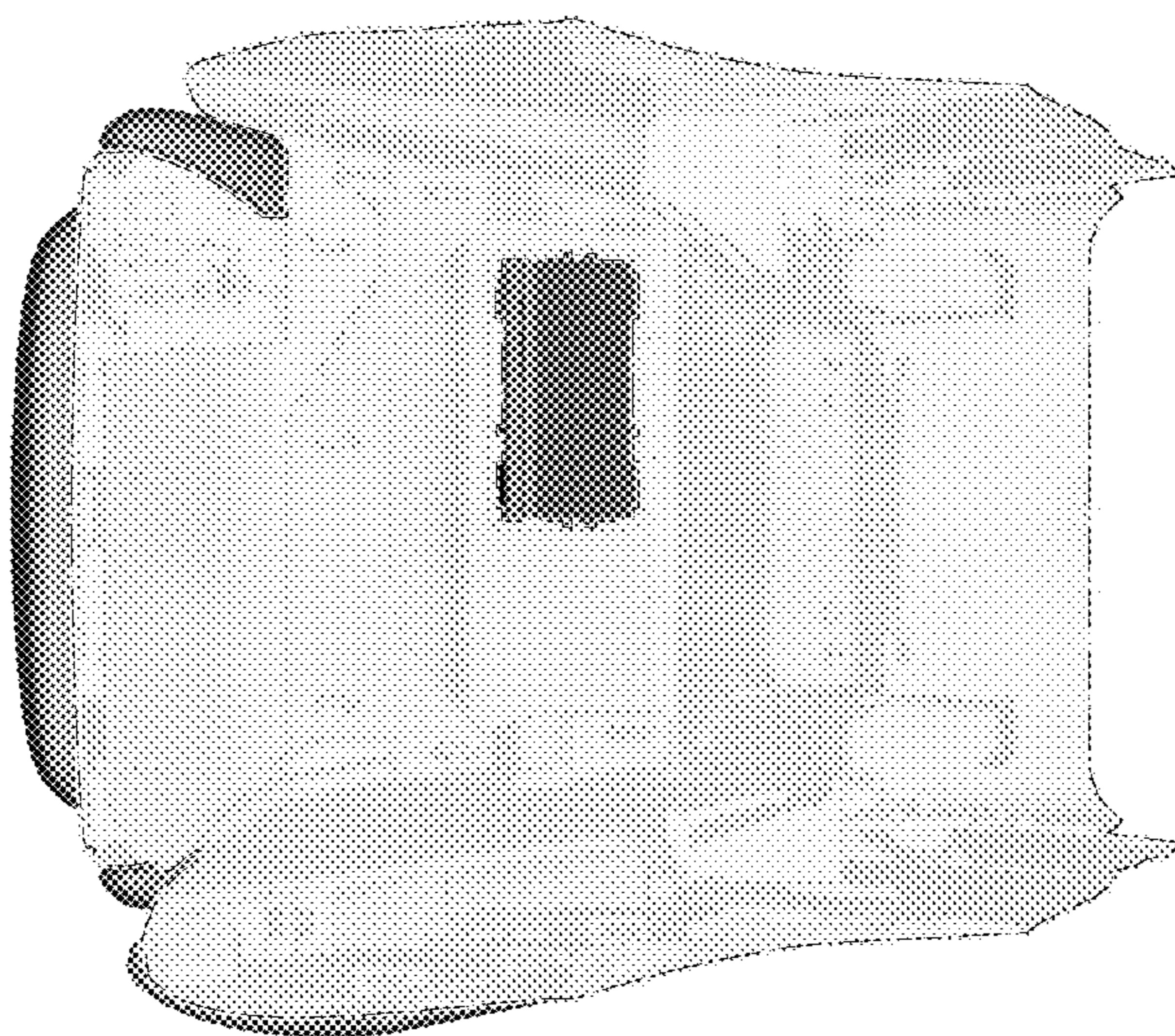


FIG.5

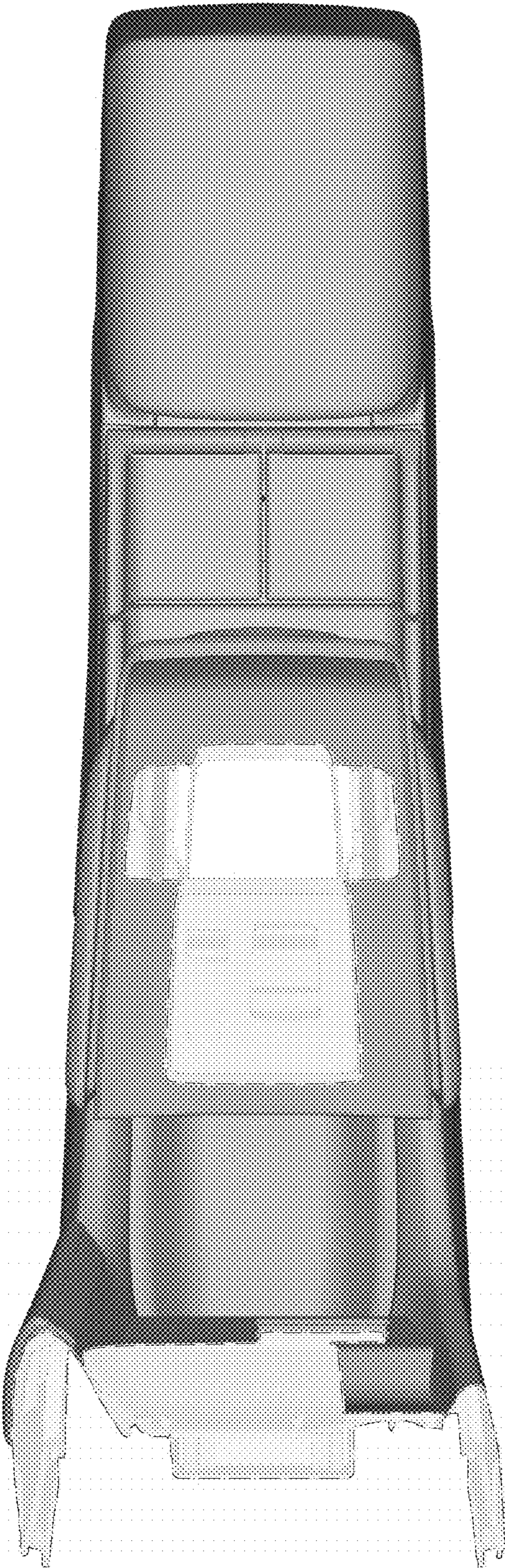


FIG.7

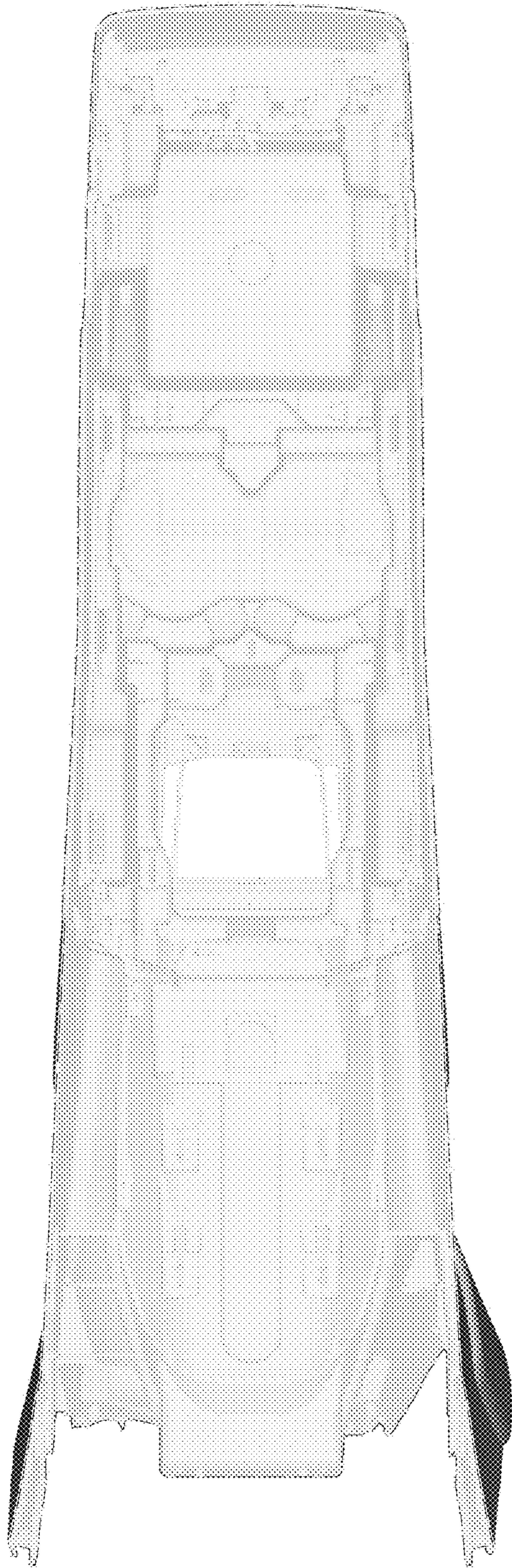


FIG. 8