



US00D931181S

(12) **United States Design Patent** (10) **Patent No.:** **US D931,181 S**
Manohar et al. (45) **Date of Patent:** **** *Sep. 21, 2021**

(54) **AIRCRAFT**
(71) Applicant: **ROLLS-ROYCE plc**, London (GB)
(72) Inventors: **Anmol A Manohar**, Derby (GB);
Darren I James, Derby (GB)
(73) Assignee: **ROLLS-ROYCE plc**, London (GB)
(*) Notice: This patent is subject to a terminal disclaimer.
(**) Term: **15 Years**
(21) Appl. No.: **29/676,233**
(22) Filed: **Jan. 9, 2019**

D852,092 S * 6/2019 Woodworth D12/16.1
D864,084 S * 10/2019 Clark D12/328
D873,200 S * 1/2020 Langford, III D12/319
D873,201 S * 1/2020 Langford, III D12/319
D873,202 S * 1/2020 Tzarnotzky D12/329
D881,788 S * 4/2020 Tian D12/328
D905,614 S * 12/2020 Ignatiev D12/343
D909,949 S * 2/2021 Williams D12/326
2016/0304194 A1 10/2016 Bevirt et al.
2021/0094676 A1* 4/2021 Bosworth B64C 29/0033

(30) **Foreign Application Priority Data**
Jul. 10, 2018 (GB) 6038912
(51) **LOC (13) Cl.** **21-07**
(52) **U.S. Cl.**
USPC **D12/319**; D12/16.1
(58) **Field of Classification Search**
USPC D12/1, 2, 3, 4, 16.1, 319, 321, 322, 323,
D12/324, 326, 327-344, 345; D21/436,
D21/439, 440, 441, 442, 444, 446, 447,
D21/448, 449, 450, 451, 452, 453
CPC B64C 2201/021; B64C 2201/104; B64C
19/00; B64C 29/0033; B64D 27/26
See application file for complete search history.

(56) **References Cited**
U.S. PATENT DOCUMENTS
D665,331 S * 8/2012 Sands D12/319
D733,029 S * 6/2015 Dutertre D12/319
D808,328 S * 1/2018 Ivans D12/328
D813,143 S * 3/2018 Belik D12/326
D816,583 S * 5/2018 Dutertre D12/328

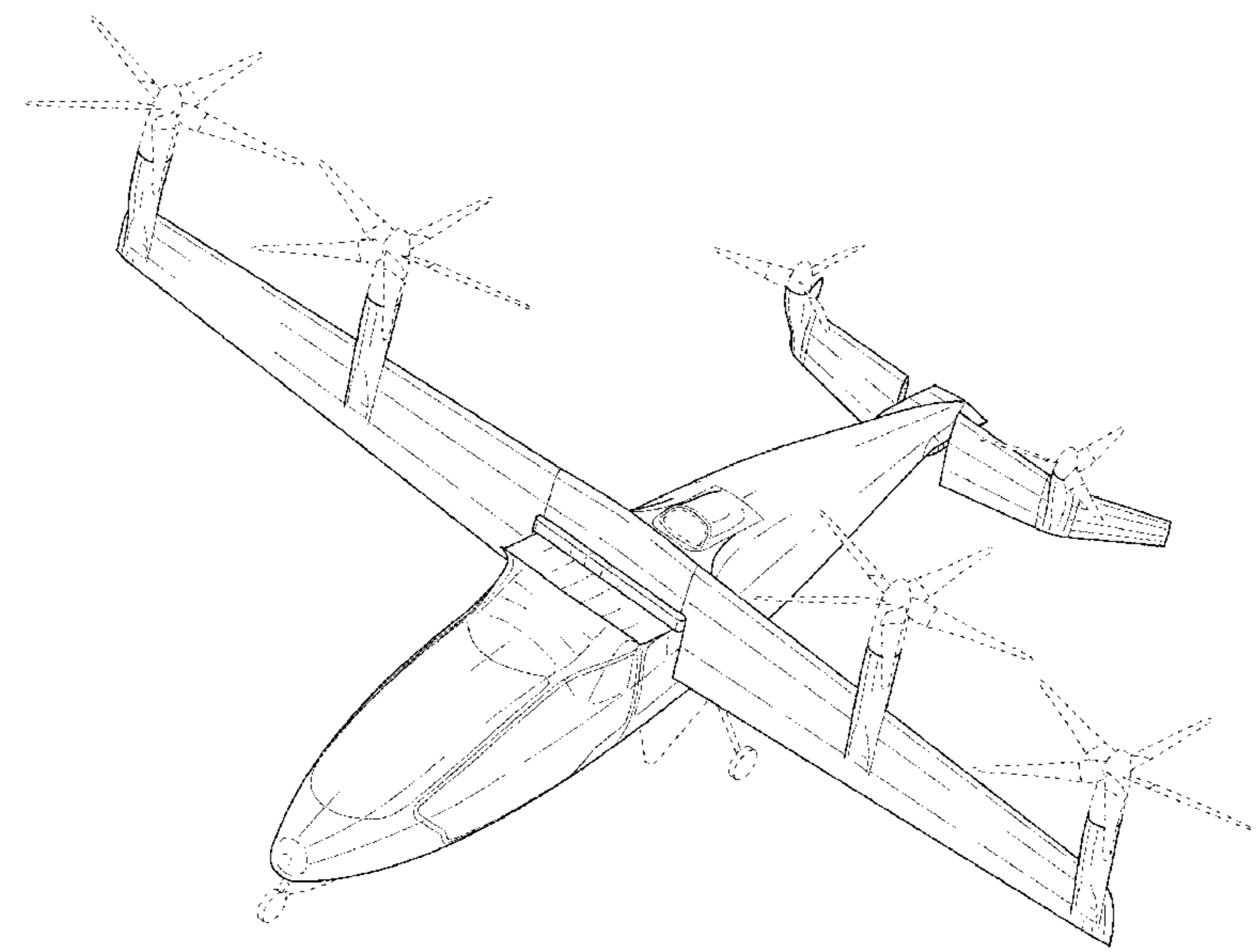
OTHER PUBLICATIONS
Rolls Royce EVTOL Concept. by Evans Electric. dated Dec. 26, 2018. found online [Apr. 5, 2021] <https://www.youtube.com/watch?v=wkOrzWEREVs>.
Dr. Geoffrey Bower, "Project Vahana". Electric Aircraft Prototyping Session, Jun. 8, 2017.
Robert G. McSwain et al. "Greased Lightning (GL-10) Performance Flight Research—Flight Data Report". Langley Research Center, Nov. 2017.

(Continued)
Primary Examiner — Marissa J Cash
(74) *Attorney, Agent, or Firm* — Oliff PLC

(57) **CLAIM**
The ornamental design for an aircraft, as shown and described.

DESCRIPTION
FIG. 1 is a top perspective view of the aircraft;
FIG. 2 is a top view thereof;
FIG. 3 is a left-side view thereof;
FIG. 4 is a right-side view thereof;
FIG. 5 is a front view thereof;
FIG. 6 is a rear view thereof; and,
FIG. 7 is a bottom view thereof.
The evenly spaced broken lines depict portions of the aircraft that form no part of the claimed design.

1 Claim, 7 Drawing Sheets



(56)

References Cited

OTHER PUBLICATIONS

NASA. "NASA's X-57 Electric Research Plane". Aeronautics, <<https://www.nasa.gov/image-feature/nasas-x-57-electric-research-plane>>, Jun. 17, 2016.

Lilium GmbH, "Press Coverage", <<https://lilium.com/press/>> Jan. 10, 2018.

* cited by examiner

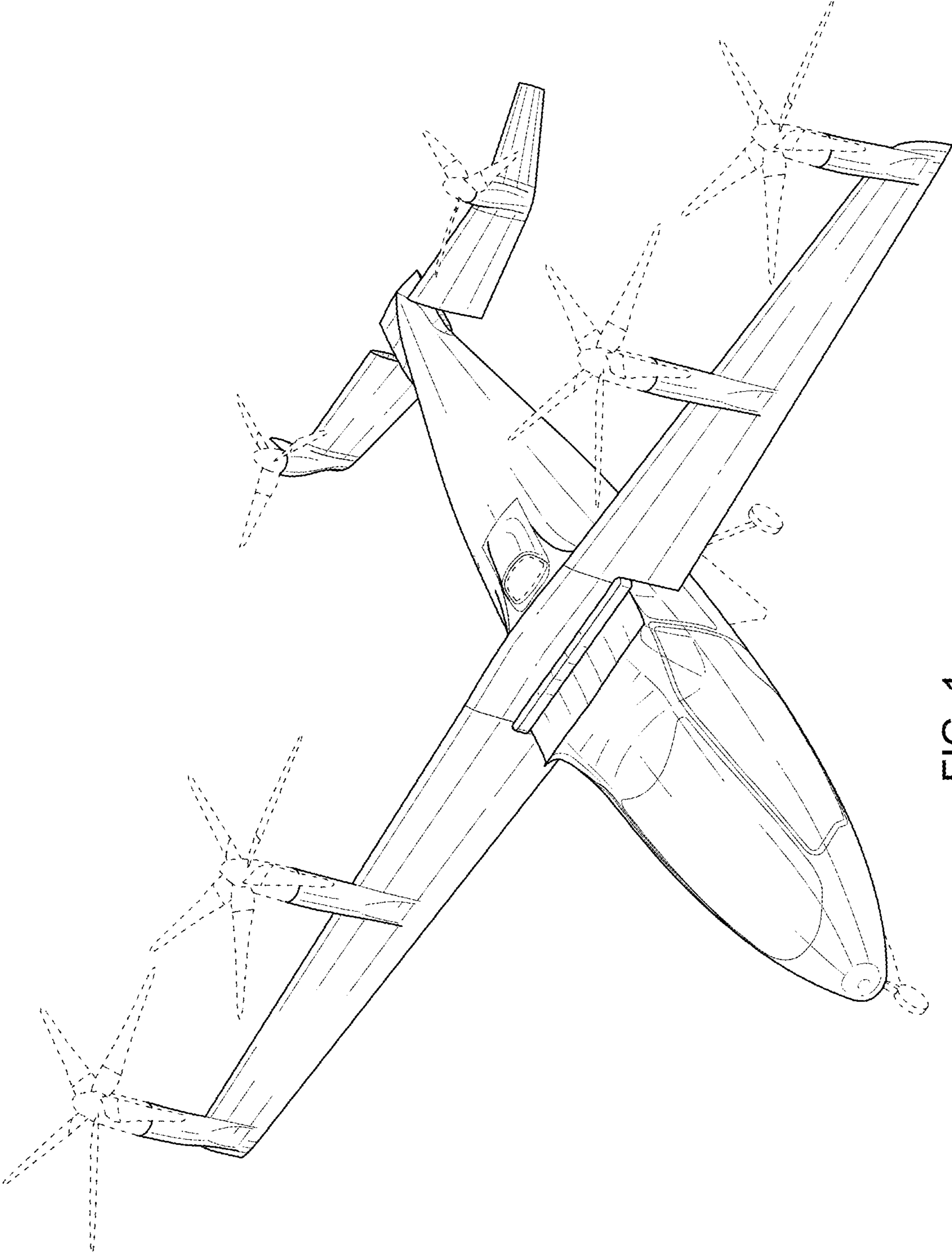


FIG. 1

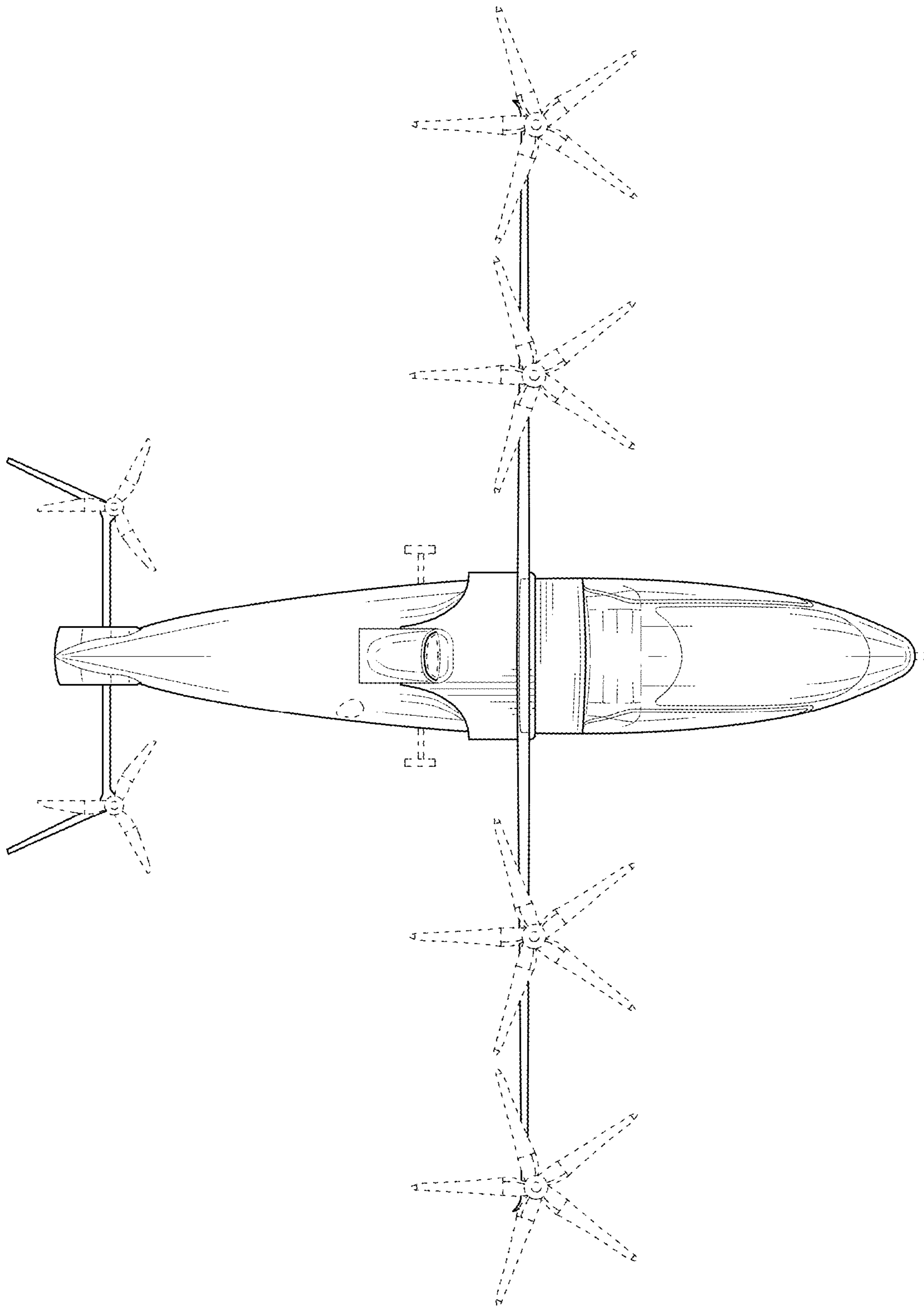


FIG. 2

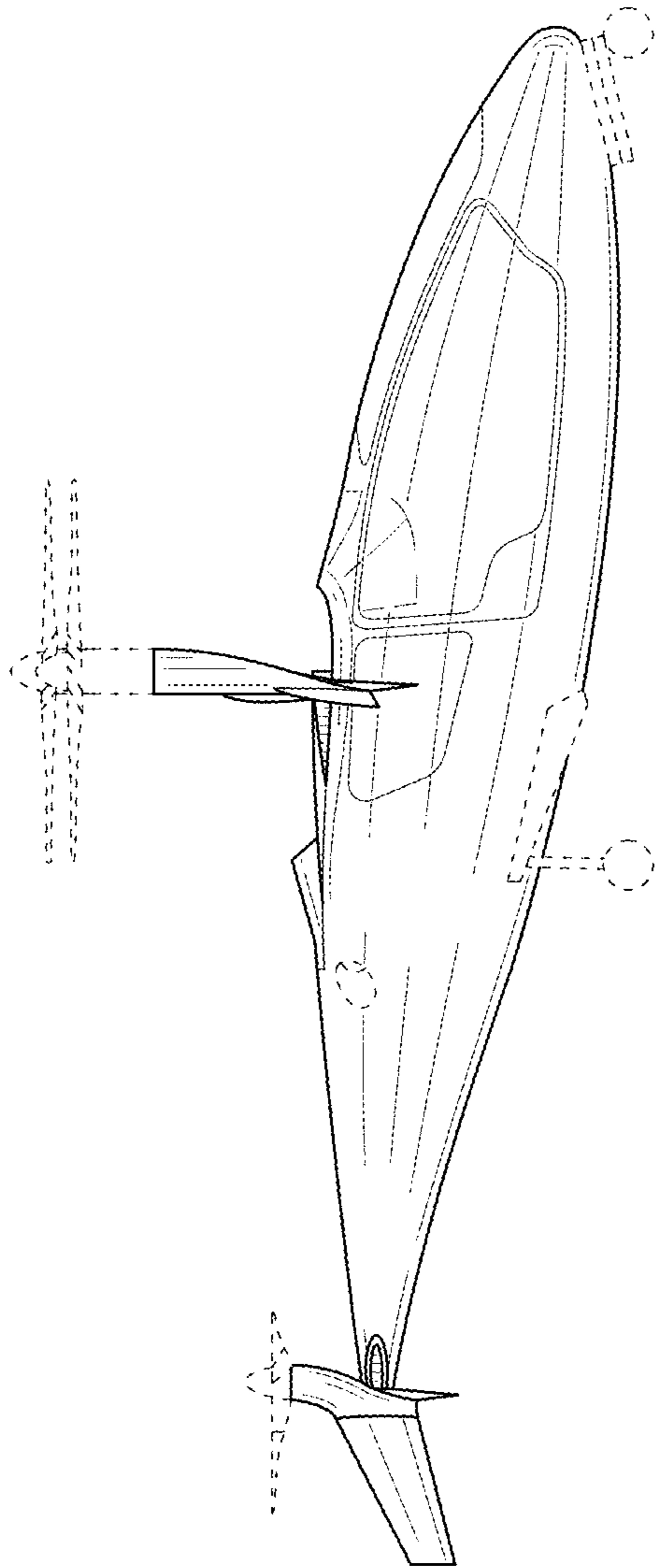


FIG. 3

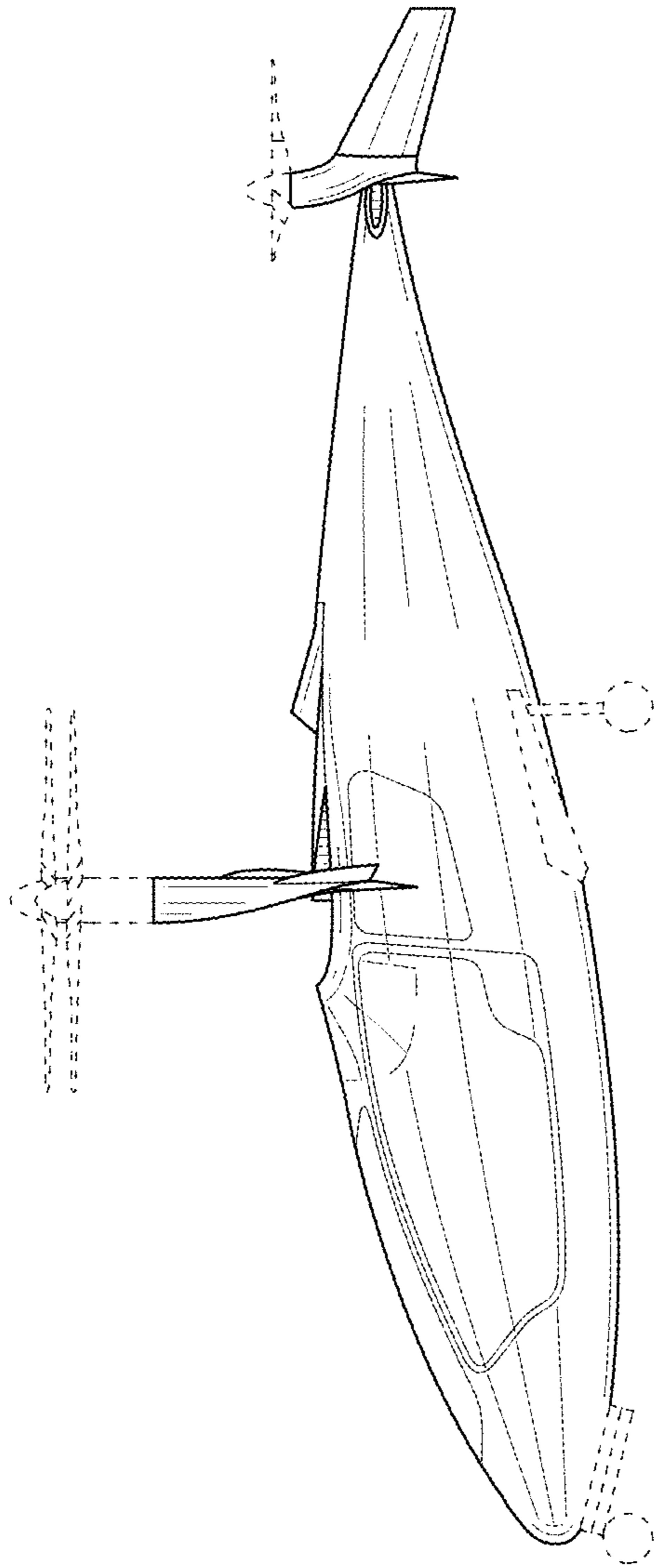


FIG. 4

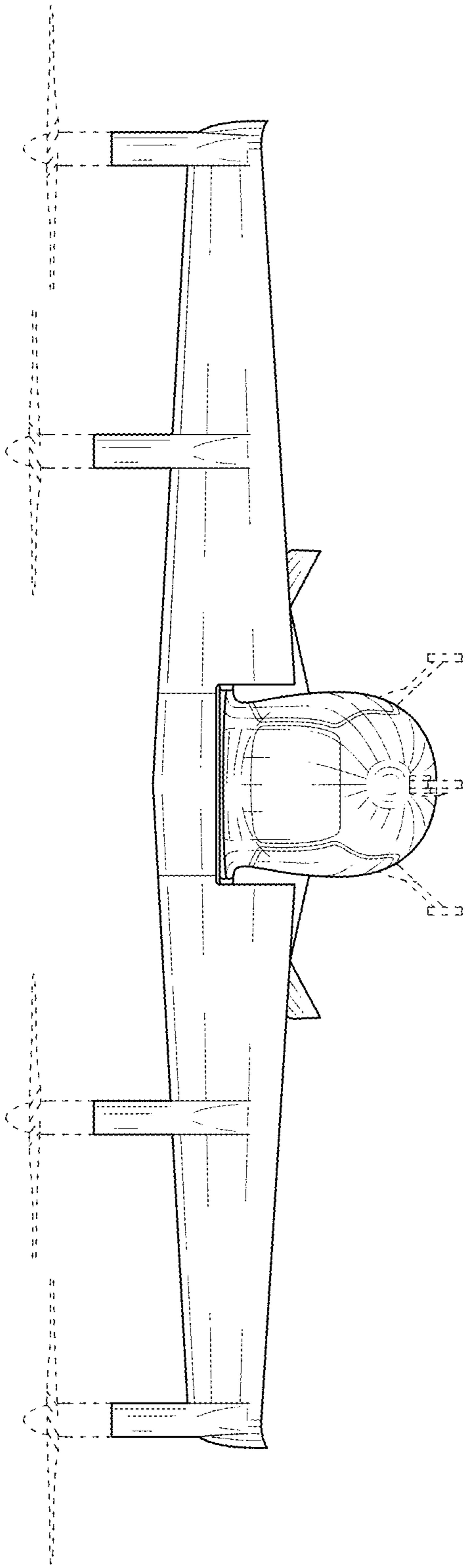


FIG. 5

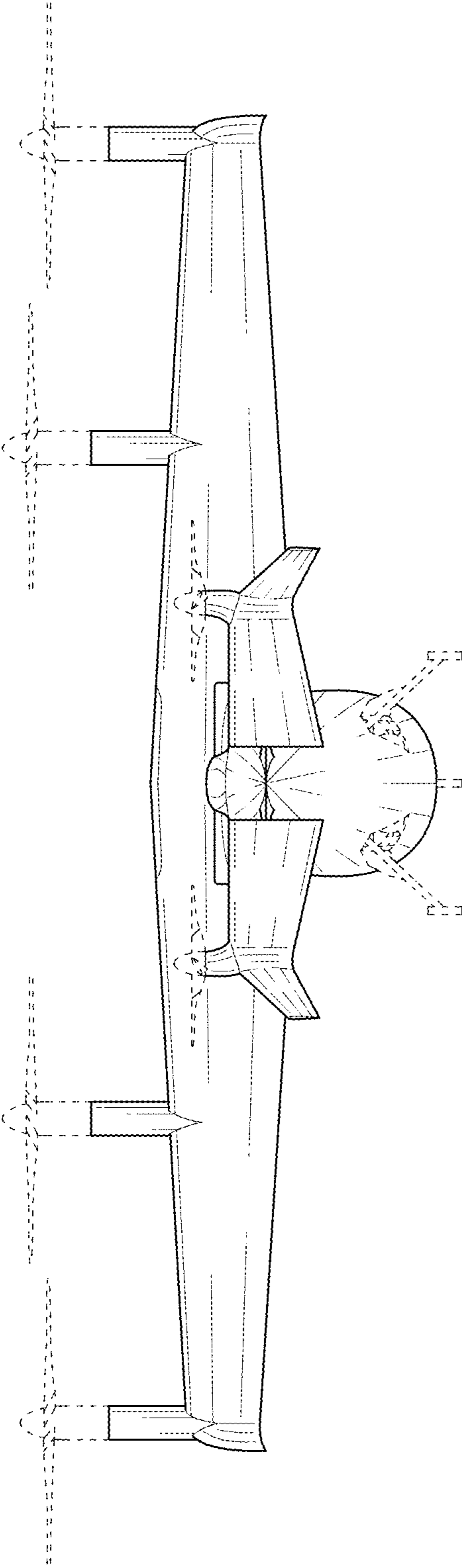


FIG. 6

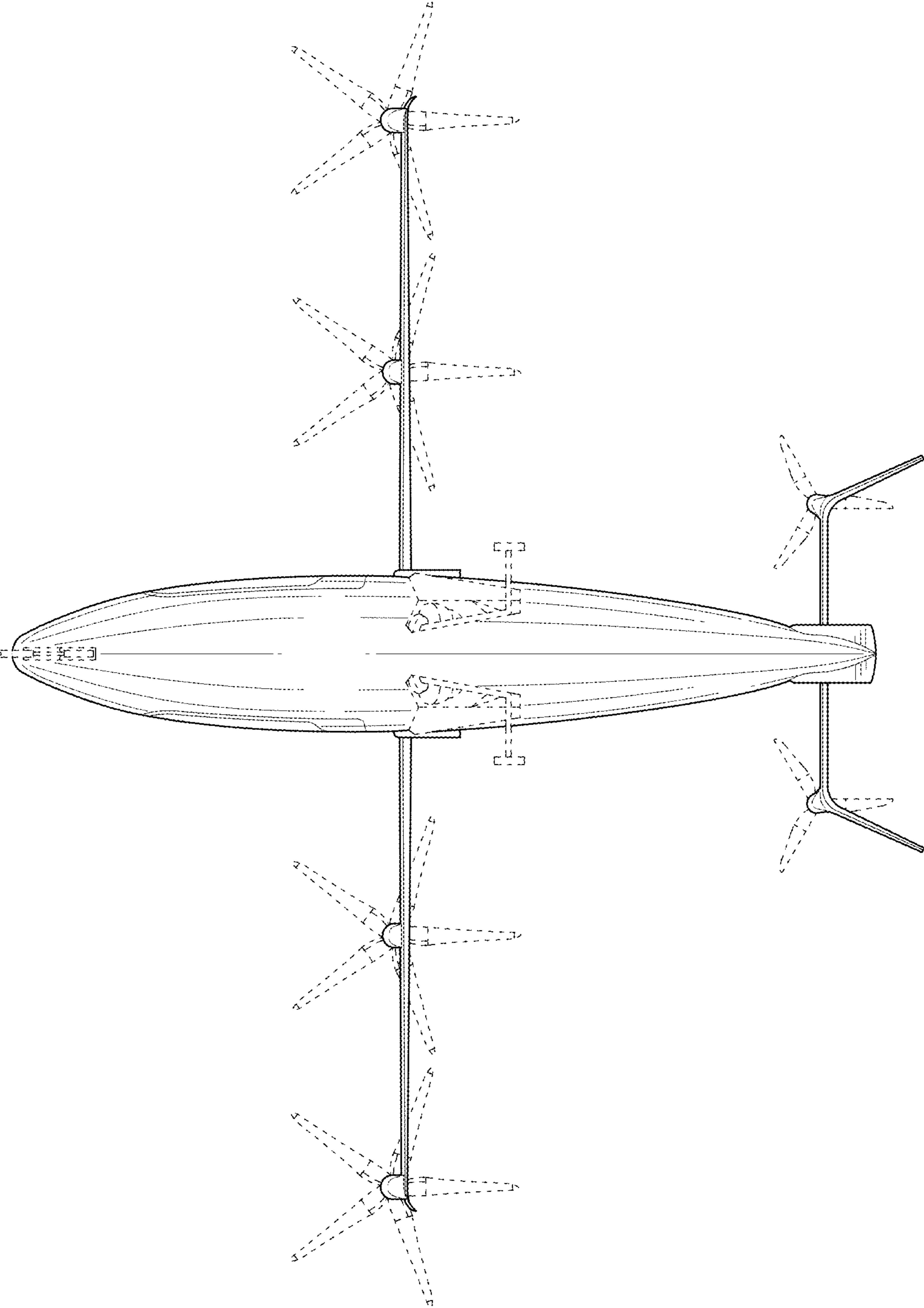


FIG. 7