



US00D931180S

(12) **United States Design Patent** (10) **Patent No.:** **US D931,180 S**  
**Manohar et al.** (45) **Date of Patent:** **\*\* Sep. 21, 2021**

(54) **AIRCRAFT**

(71) Applicant: **ROLLS-ROYCE plc**, London (GB)

(72) Inventors: **Anmol A Manohar**, Derby (GB);  
**Darren I James**, Derby (GB)

(73) Assignee: **ROLLS-ROYCE plc**, London (GB)

(\*\*) Term: **15 Years**

(21) Appl. No.: **29/676,205**

(22) Filed: **Jan. 9, 2019**

(30) **Foreign Application Priority Data**

Jul. 10, 2018 (GB) ..... 6038913

(51) **LOC (13) Cl.** ..... **21-07**

(52) **U.S. Cl.**  
USPC ..... **D12/319; D12/16.1**

(58) **Field of Classification Search**  
USPC ..... D12/1, 2, 3, 4, 16.1, 319, 321, 322, 323,  
D12/324, 326, 327-344, 345; D21/436,  
D21/439, 440, 441, 442, 444, 446, 447,  
D21/448, 449, 450, 451, 452, 453  
CPC ..... B64C 2201/021; B64C 2201/104; B64C  
19/00; B64C 29/0033; B64D 27/26  
See application file for complete search history.

(56) **References Cited**

**U.S. PATENT DOCUMENTS**

D665,331 S \* 8/2012 Sands ..... D12/319  
D733,029 S \* 6/2015 Dutertre ..... D12/319  
D808,328 S \* 1/2018 Ivans ..... D12/328  
D813,143 S \* 3/2018 Belik ..... D12/326  
D816,583 S \* 5/2018 Dutertre ..... D12/328  
D852,092 S \* 6/2019 Worth ..... D12/16.1  
D864,084 S \* 10/2019 Clark ..... D12/328  
D873,200 S \* 1/2020 Langford, III ..... D12/319  
D873,201 S \* 1/2020 Langford, III ..... D12/319  
D873,202 S \* 1/2020 Tzarnotzky ..... D12/329

D881,788 S \* 4/2020 Tian ..... D12/328  
D905,614 S \* 12/2020 Ignatiev ..... D12/343  
D909,949 S \* 2/2021 Williams ..... D12/326  
2016/0304194 A1 10/2016 Bevirt et al.  
2021/0094676 A1\* 4/2021 Bosworth ..... B64C 29/0033

**OTHER PUBLICATIONS**

Rolls Royce EVTOL Concept. by Evans Electric. dated Dec. 26, 2018. found online [Apr. 5, 2021] <https://www.youtube.com/watch?v=wkOrzWEREVs>.  
Dr. Geoffrey Bower, "Project Vahana". Electric Aircraft Prototyping Session, Jun. 8, 2017.  
Robert G. McSwain et al. "Greased Lightning (GL-10) Performance Flight Research—Flight Data Report". Langley Research Center, Nov. 2017.  
Nasa. "Nasa's X-57 Electric Research Plane". Aeronautics, <<https://www.nasa.gov/image-feature/nasas-x-57-electric-research-plane>>, Jun. 17, 2016.  
LILIUM GmbH, "Press Coverage". <<https://lilium.com/press/>> Jan. 10, 2018.

\* cited by examiner

*Primary Examiner* — Marissa J Cash  
(74) *Attorney, Agent, or Firm* — Oliff PLC

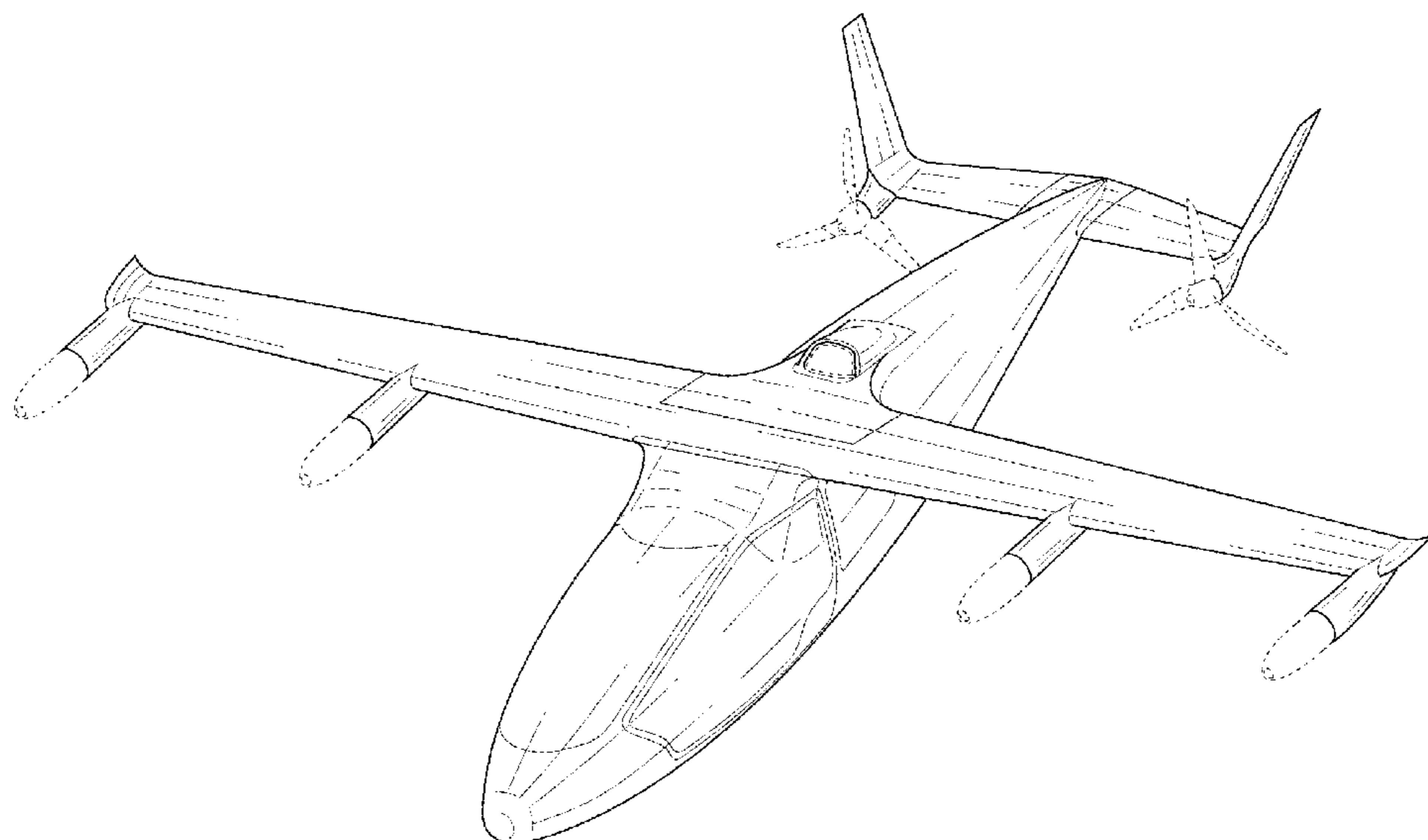
(57) **CLAIM**

The ornamental design for an aircraft, as shown and described.

**DESCRIPTION**

FIG. 1 is a top perspective view of the aircraft;  
FIG. 2 is a top view thereof;  
FIG. 3 is a left-side view thereof;  
FIG. 4 is a right-side view thereof;  
FIG. 5 is a front view thereof;  
FIG. 6 is a rear view thereof; and,  
FIG. 7 is a bottom view thereof.  
The evenly spaced broken lines depict portions of the aircraft that form no part of the claimed design.

**1 Claim, 7 Drawing Sheets**



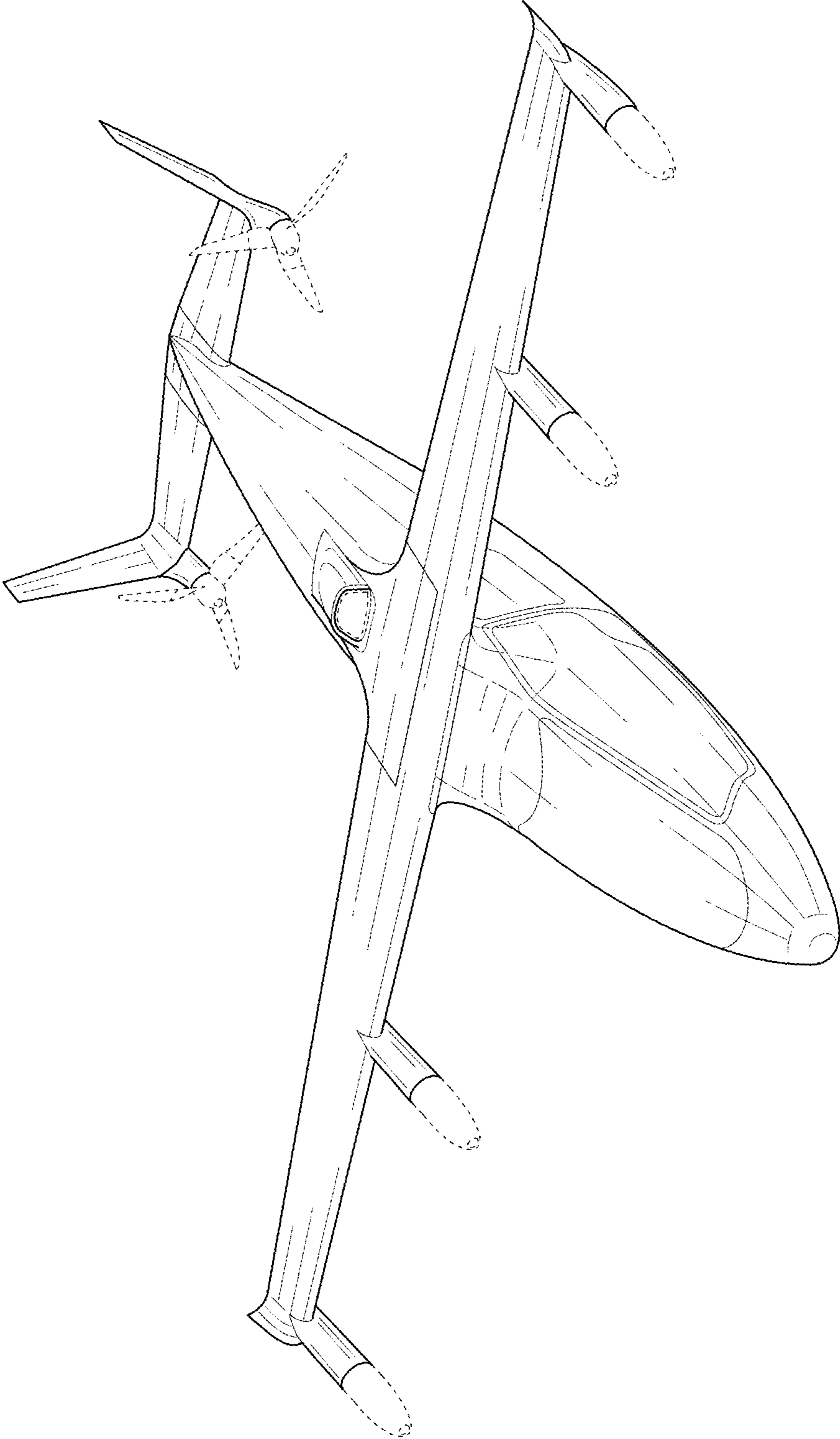


FIG. 1

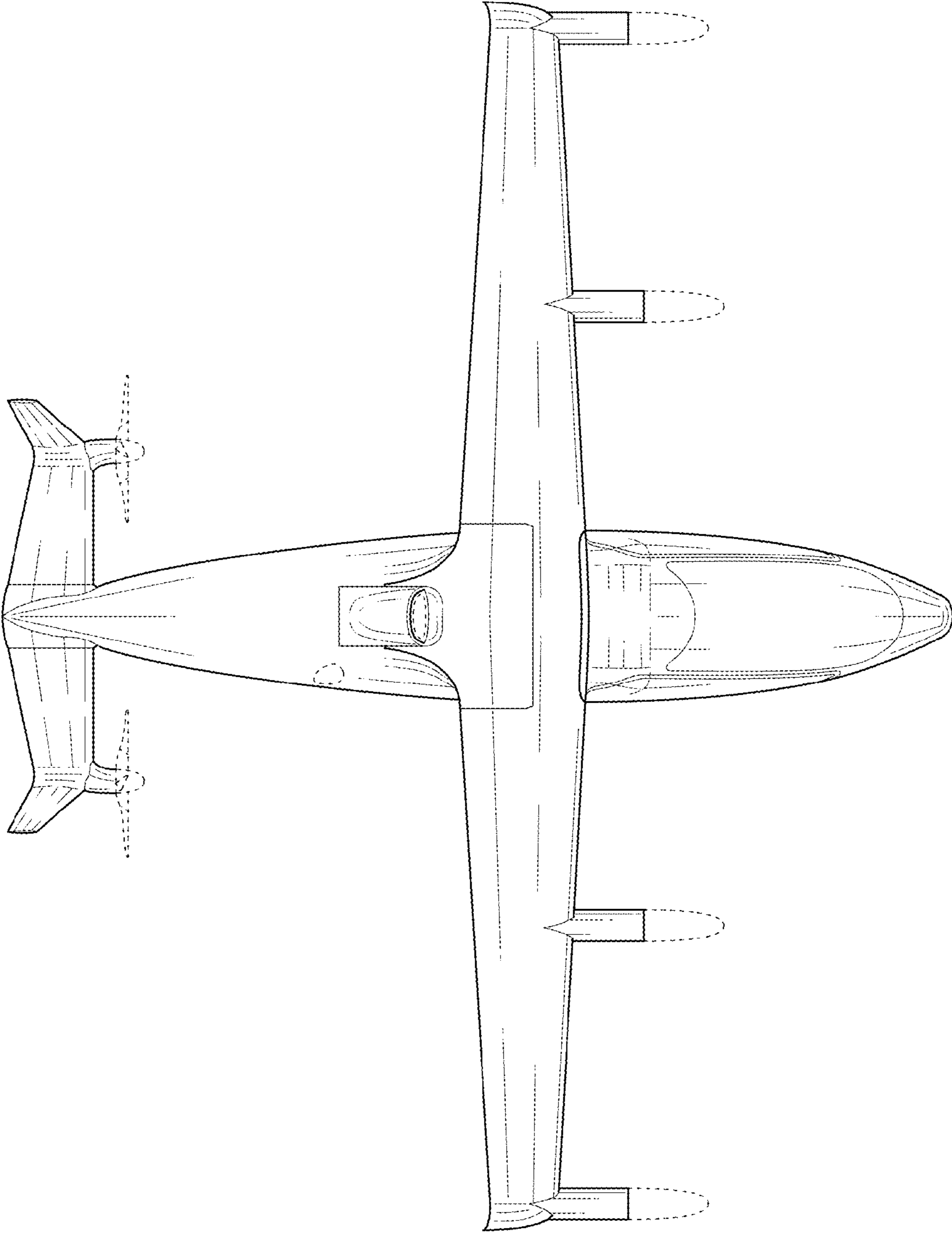


FIG. 2

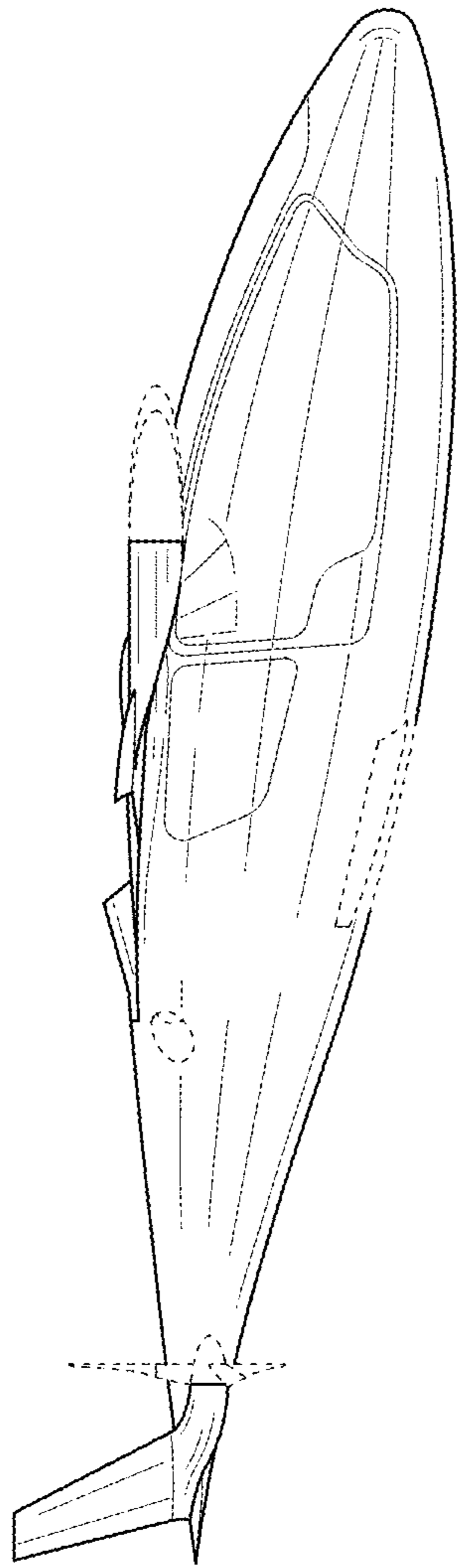


FIG. 3

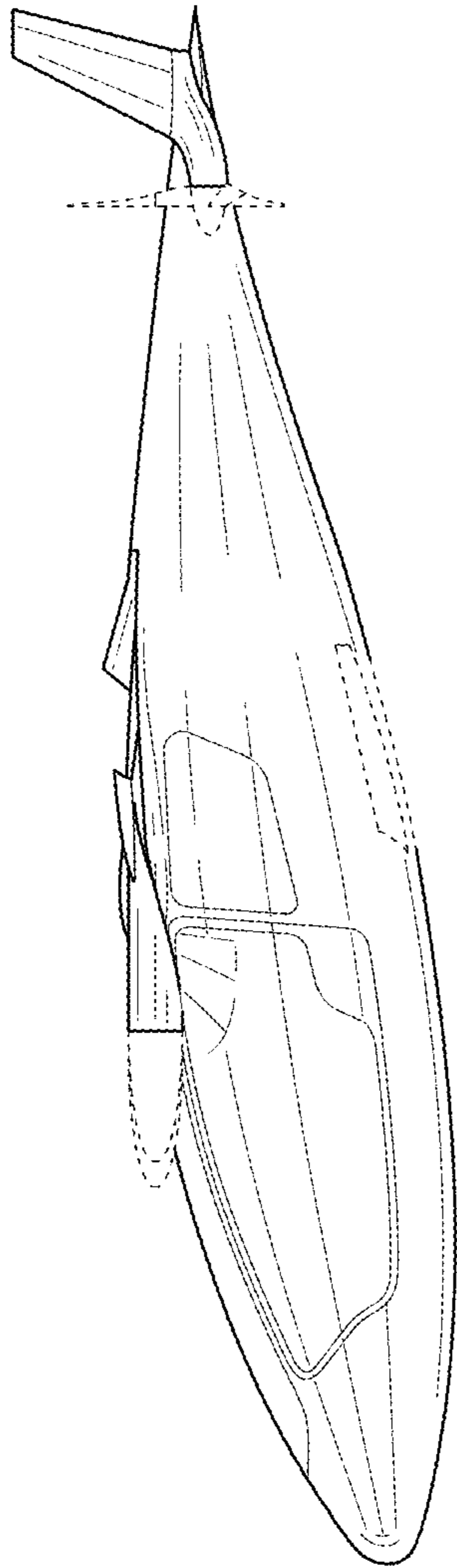


FIG. 4

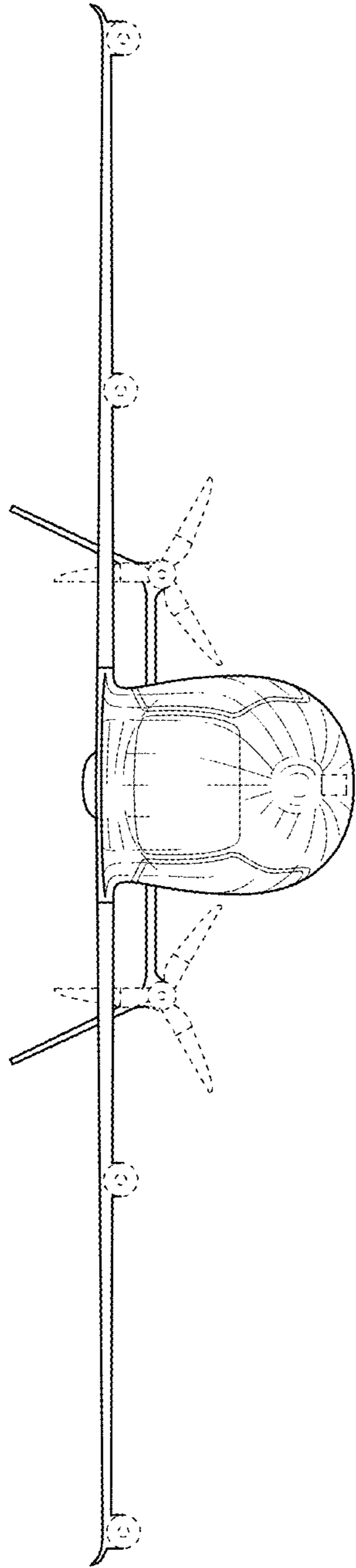


FIG. 5

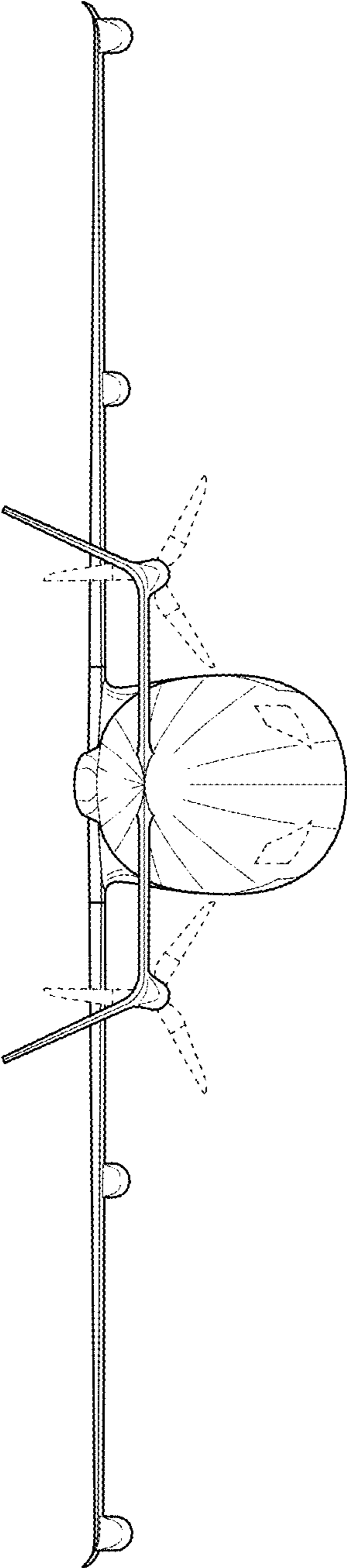


FIG. 6

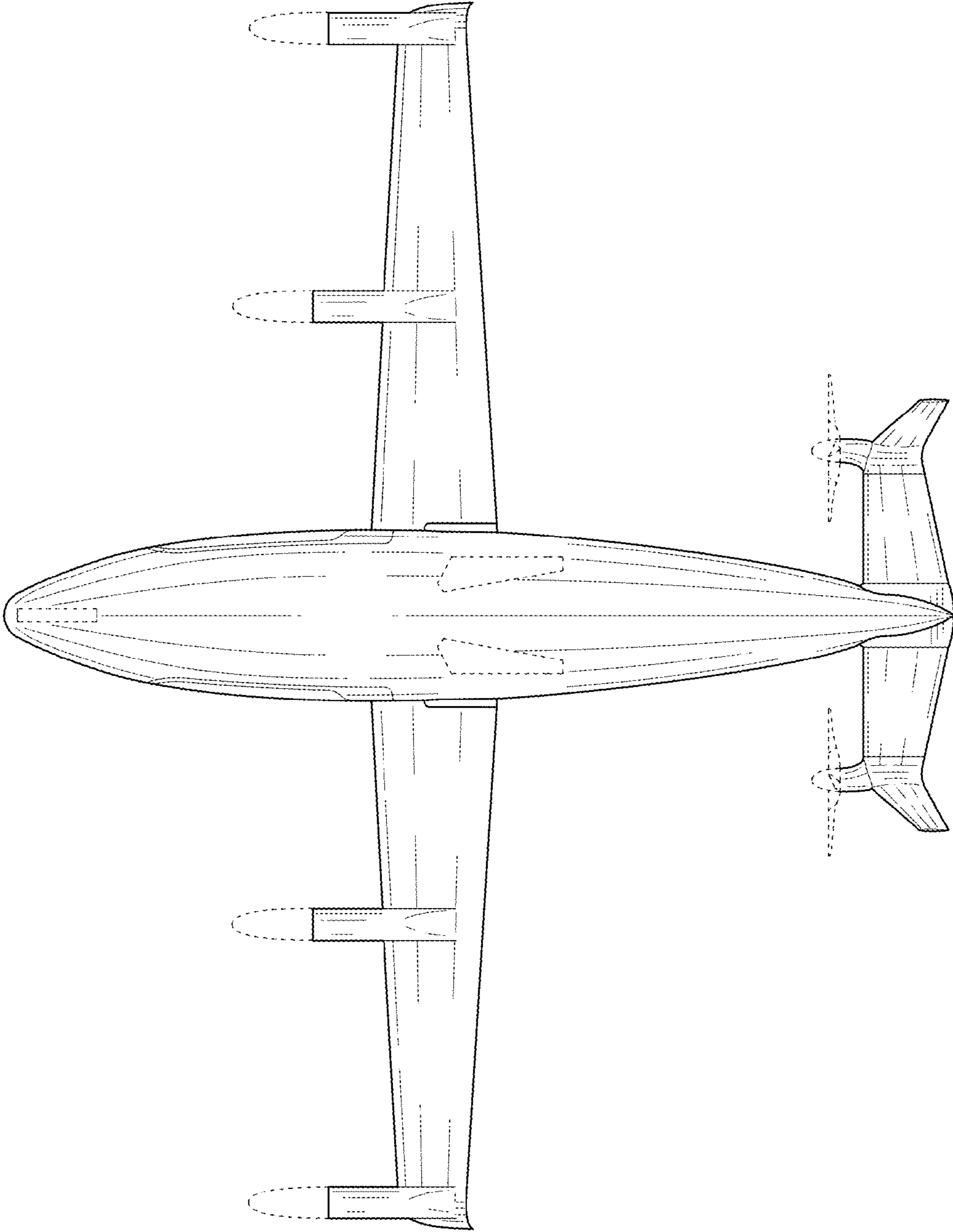


FIG. 7