



US00D931178S

(12) **United States Design Patent**
Podlovits

(10) **Patent No.:** **US D931,178 S**

(45) **Date of Patent:** **** Sep. 21, 2021**

(54) **WHEEL FRONT FACE**

(71) Applicant: **Joseph F. Podlovits**, Brea, CA (US)

(72) Inventor: **Joseph F. Podlovits**, Brea, CA (US)

(73) Assignee: **WHEEL GROUP HOLDINGS, LLC**,
Ontario, CA (US)

(**) Term: **15 Years**

(21) Appl. No.: **29/753,551**

(22) Filed: **Sep. 30, 2020**

(51) **LOC (13) Cl.** **12-16**

(52) **U.S. Cl.**
USPC **D12/209**

(58) **Field of Classification Search**
USPC D12/204–213; D21/563
CPC B60B 7/00; B60B 7/02; B60B 7/04; B60B
7/01; B60B 3/02; B60B 3/04; B60B 3/06;
B60B 3/10; B60B 1/00; B60B 1/08;
B60B 1/10; B60B 1/12
See application file for complete search history.

(56) **References Cited**

U.S. PATENT DOCUMENTS

D635,076 S *	3/2011	De Bono	D12/209
D660,769 S *	5/2012	Pollmann	D12/211
D661,239 S *	6/2012	Pollmann	D12/209
D695,670 S *	12/2013	De Bono	D12/209
D697,009 S *	1/2014	Pollmann	D12/209
D718,696 S *	12/2014	Gotschke	D12/209
D723,990 S *	3/2015	Roura	D12/209
D741,771 S *	10/2015	Johnson	D12/209
D764,370 S *	8/2016	Chung	D12/209
D774,436 S *	12/2016	Pollex	D12/209

D788,004 S *	5/2017	Mielke	D12/209
D802,510 S *	11/2017	Groth	D12/209
D830,933 S *	10/2018	Zhao	D12/209
D851,007 S *	6/2019	Widua	D12/209
D853,302 S *	7/2019	Khachatryan	D12/209
D856,896 S *	8/2019	Visa	D12/209
D863,179 S *	10/2019	Gallert	D12/209
D869,366 S *	12/2019	Imazato	D12/209
D877,022 S *	3/2020	Hahn	D12/209
D877,029 S *	3/2020	Grewer	D12/209
D877,679 S *	3/2020	Kawaguchi	D12/209
D878,995 S *	3/2020	Tian	D12/209
D882,484 S *	4/2020	Metros	D12/209
D887,939 S *	6/2020	Hammoud	D12/209
D895,520 S *	9/2020	Badstuebner	D12/211
D908,066 S *	1/2021	Mukti	D12/209
D911,242 S *	2/2021	Piaskowski	D12/209
D915,982 S *	4/2021	Piaskowski	D12/209
D917,363 S *	4/2021	Aydin	D12/209
D917,364 S *	4/2021	Lim	D12/209

* cited by examiner

Primary Examiner — Stacia A Cadmus

(74) *Attorney, Agent, or Firm* — Law Offices of S.J.
Christine Yang

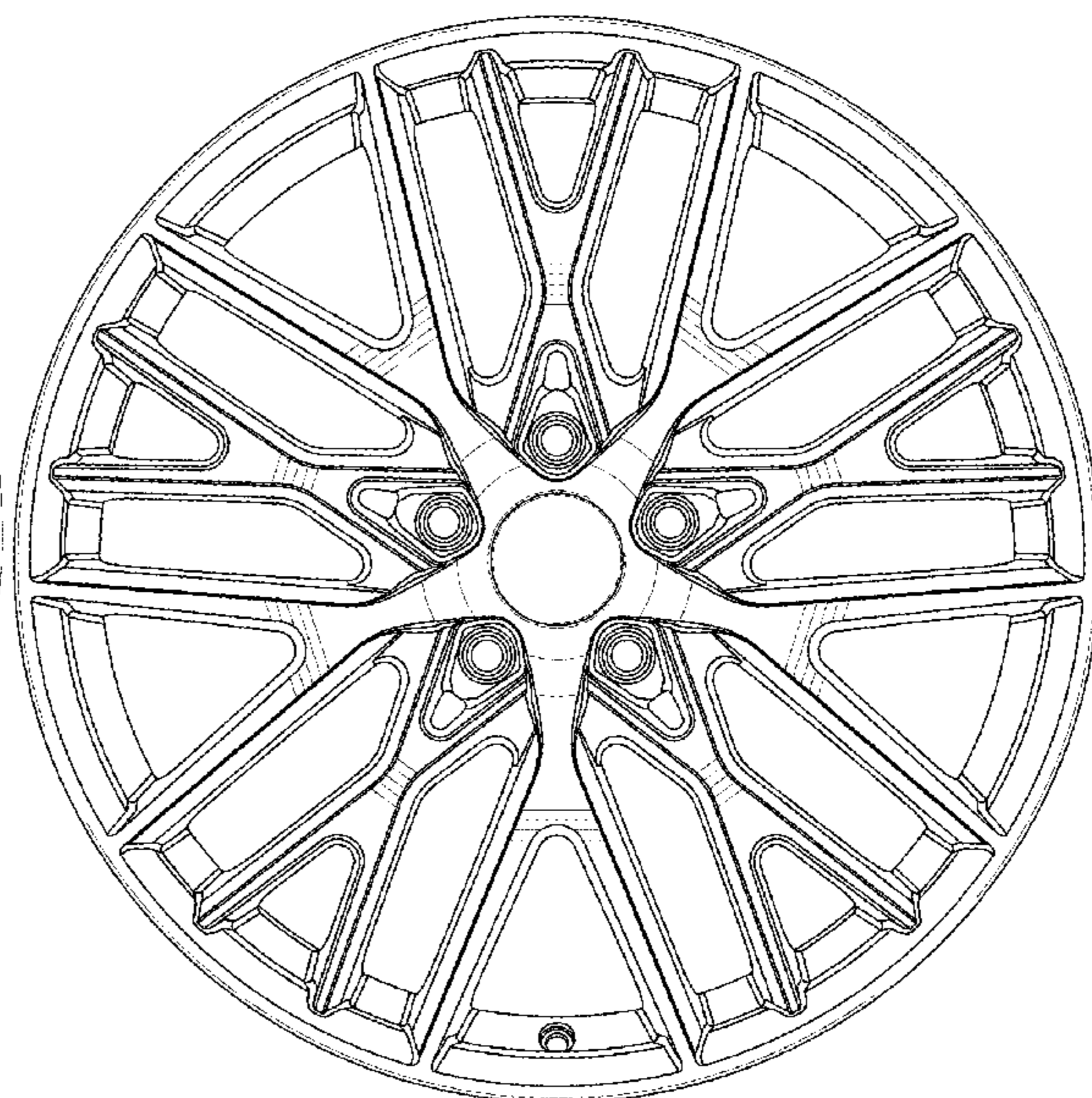
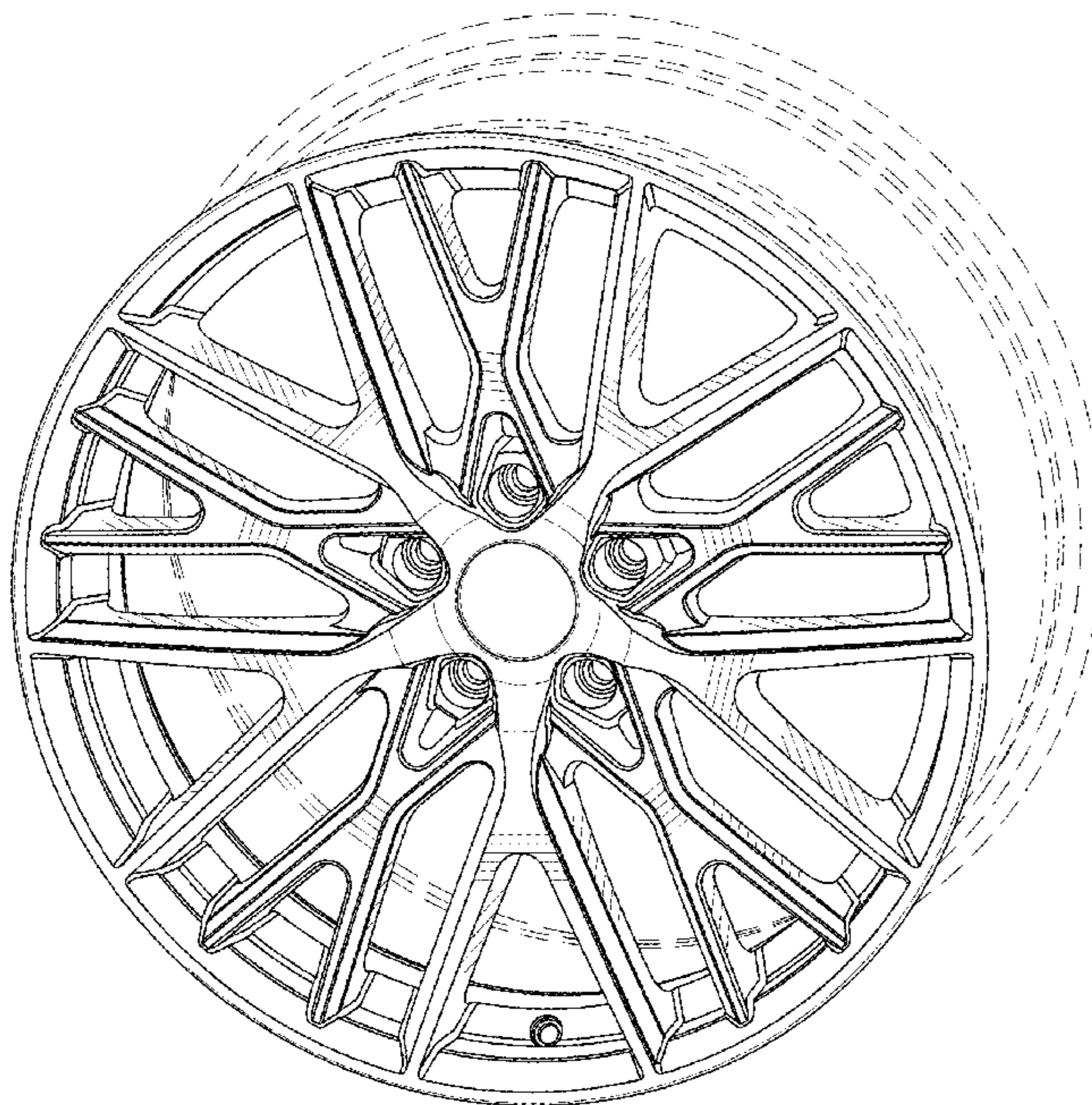
(57) **CLAIM**

The ornamental design for a wheel front face, as shown and described.

DESCRIPTION

FIG. 1 is a perspective view of a wheel front face, showing my new design;
FIG. 2 is a front view thereof; and,
FIG. 3 is a side view thereof.
In the drawings the broken lines depict portions of the wheel that form no part of the claimed design.

1 Claim, 3 Drawing Sheets



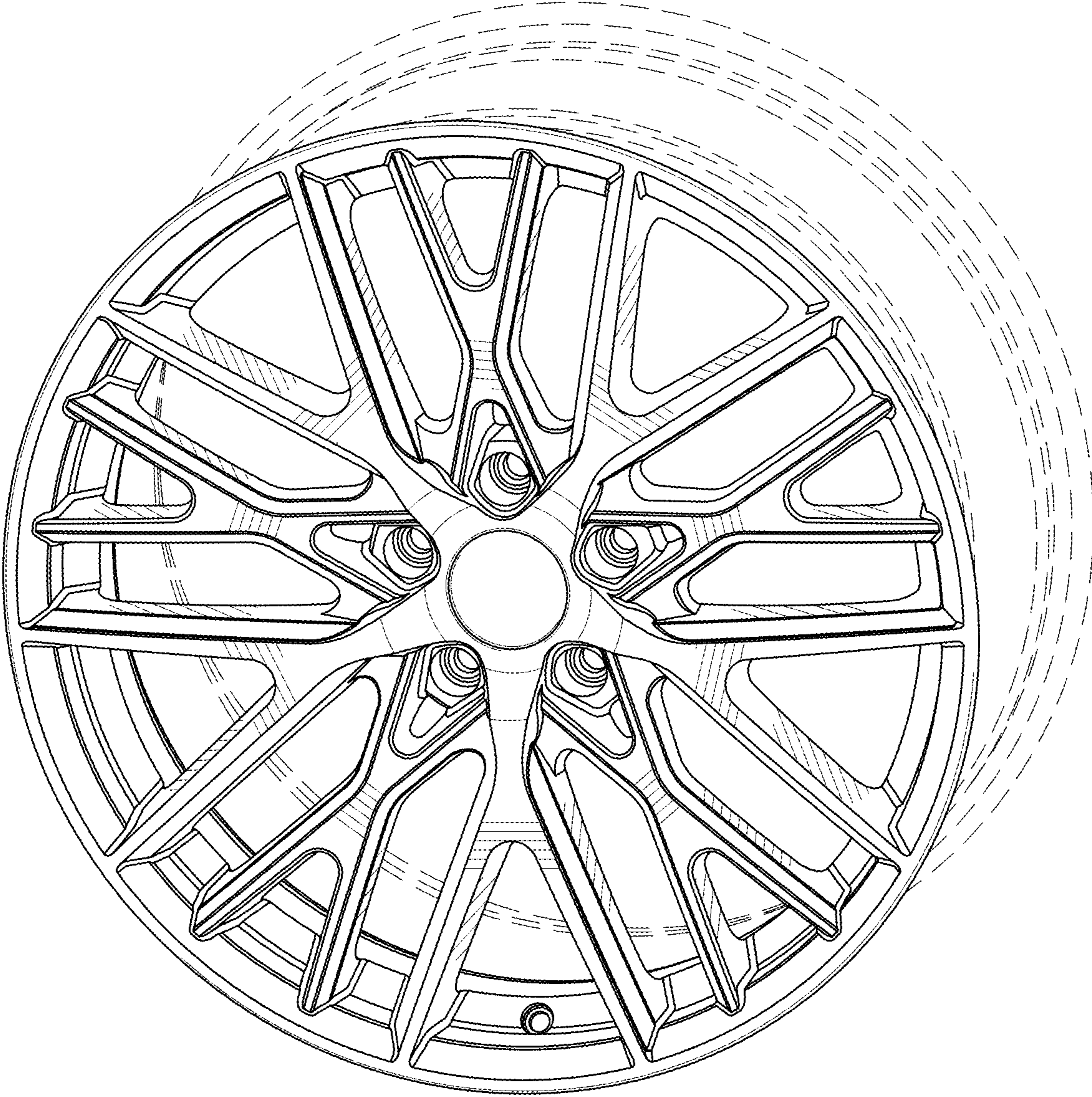


FIG. 1

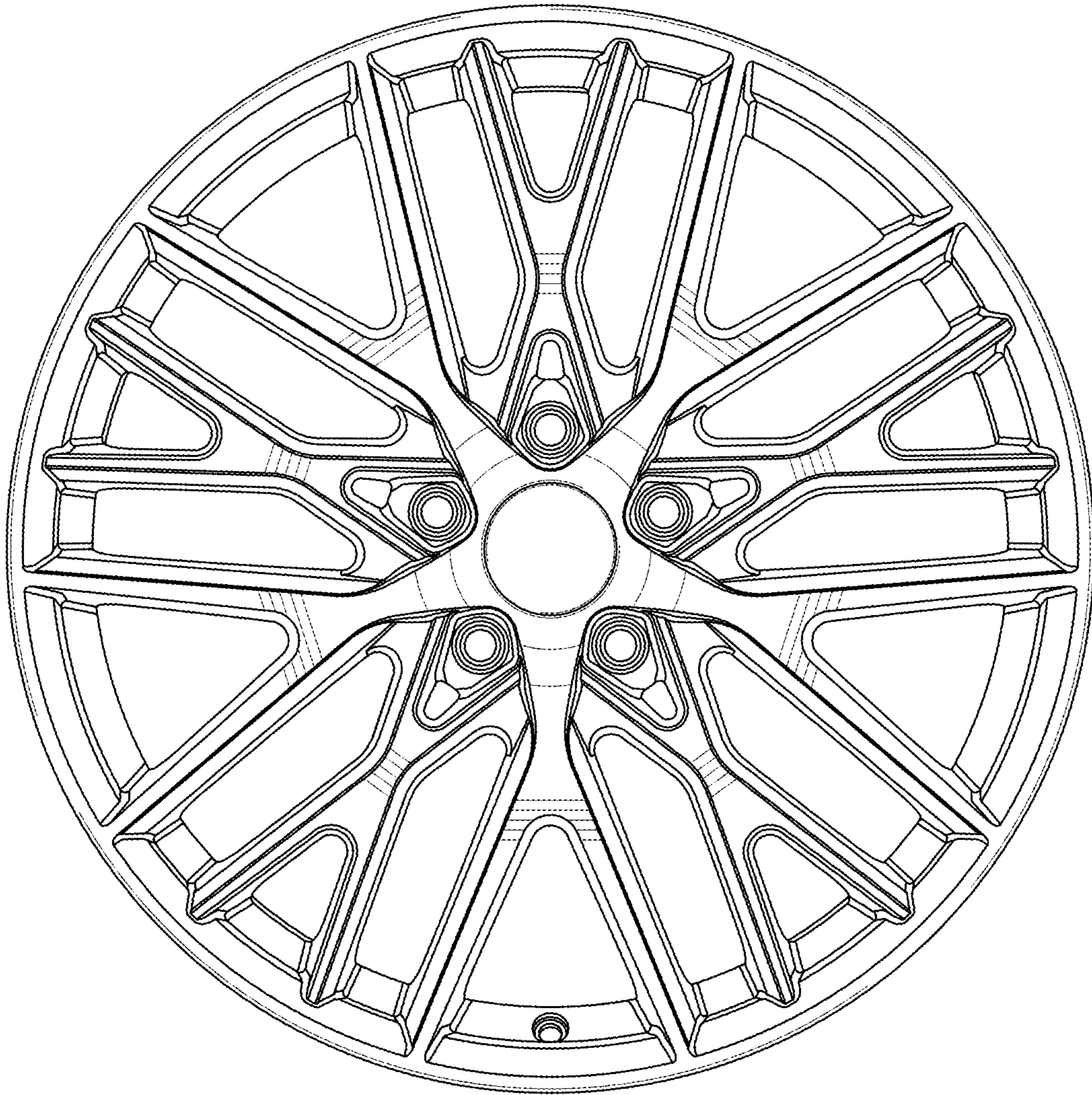


FIG. 2

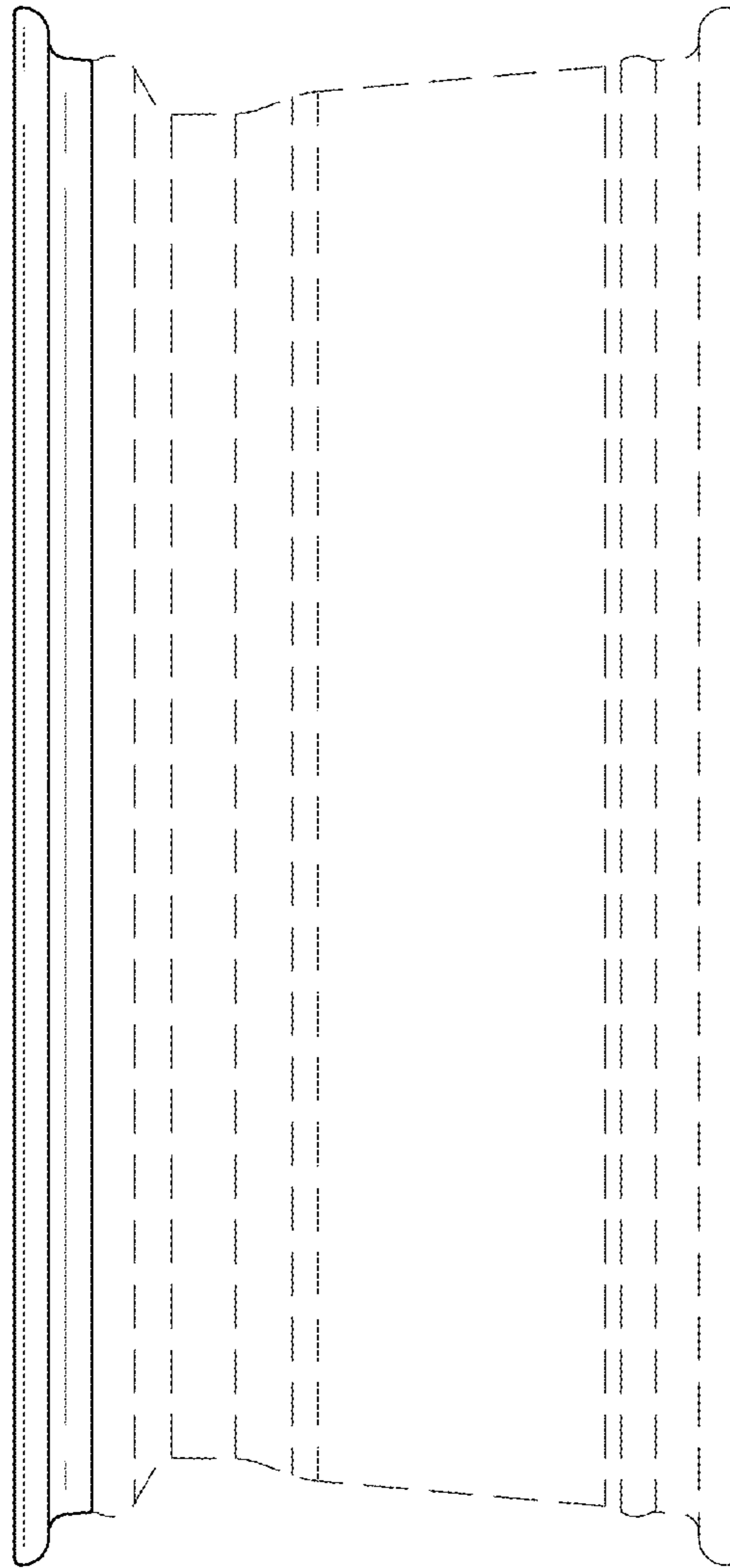


FIG. 3