



US00D931177S

(12) **United States Design Patent** (10) **Patent No.:** **US D931,177 S**
Lim (45) **Date of Patent:** **** Sep. 21, 2021**

(54) **TRUNK LID FOR A VEHICLE**
(71) Applicant: **Bayerische Motoren Werke Aktiengesellschaft, Munich (DE)**

D878,990 S * 3/2020 Park D12/196
D890,053 S * 7/2020 Tonello D12/196
D902,104 S * 11/2020 Guille D12/196
(Continued)

(72) Inventor: **Seungmo Lim, Munich (DE)**

FOREIGN PATENT DOCUMENTS

(73) Assignee: **Bayerische Motoren Werke Aktiengesellschaft, Munich (DE)**

WO WO DM/088022 4/2016
WO WO DM/093190 3/2017

(**) Term: **15 Years**

OTHER PUBLICATIONS

(21) Appl. No.: **29/725,350**

Trunk Lids. Design—© Questel) orbit.com. [Online PDF compilation of references] 62 pgs. Print Dates Range Enter Date—Enter Date [Retrieved Enter Date].*

(22) Filed: **Feb. 25, 2020**

(Continued)

(30) **Foreign Application Priority Data**

Sep. 3, 2019 (DE) 402019100944.2

(51) **LOC (13) Cl.** **12-16**

(52) **U.S. Cl.**
USPC **D12/196**

(58) **Field of Classification Search**
USPC D12/86, 90, 91, 92, 93, 163, 164, 166,
D12/167, 169, 171, 172, 173, 190, 196,
D12/216; D3/318

CPC B62D 24/02; B62D 25/00; B62D 25/003;
B62D 25/02; B62D 25/08; B62D
33/0273; B62D 33/03; B62D 33/037
See application file for complete search history.

Primary Examiner — Brett Miller

Assistant Examiner — Suzanne E Tisdell

(74) *Attorney, Agent, or Firm* — Crowell & Moring LLP

(57) **CLAIM**

The ornamental design for a trunk lid for a vehicle, as shown and described.

DESCRIPTION

This application contains subject matter related to the following co-pending U.S. design patent applications: Application Ser. No. 29/725,345, filed herewith and entitled “Vehicle, Toy, and/or Replicas Thereof”; and Application Ser. No. 29/725,355, filed herewith and entitled “Trunk Lid for a Vehicle”.

FIG. 1 is a front view of a trunk lid for a vehicle according to the design;

FIG. 2 is a top view thereof;

FIG. 3 is a left, bottom perspective view thereof;

FIG. 4 is a right, front perspective view thereof;

FIG. 5 is a left side view thereof;

FIG. 6 is a right side view thereof;

FIG. 7 is a bottom view thereof; and,

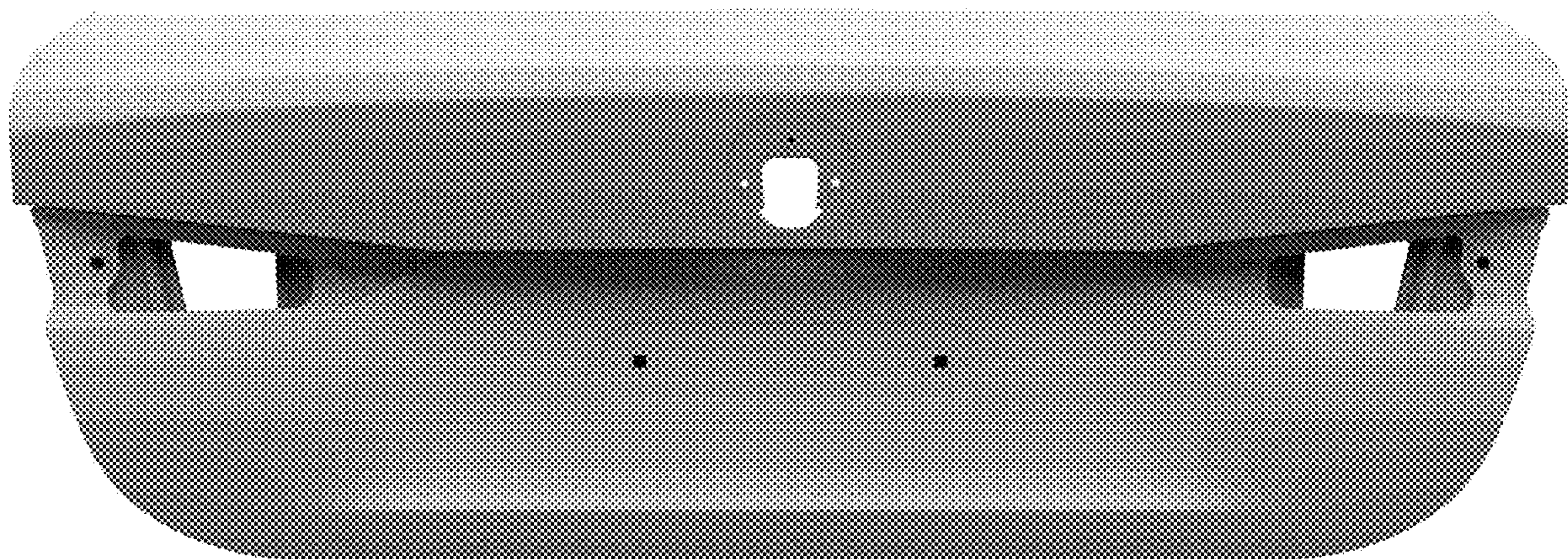
FIG. 8 is a rear view thereof.

(56) **References Cited**

U.S. PATENT DOCUMENTS

D514,491 S 2/2006 Nagashima
D791,030 S 7/2017 Faghihzadeh
D853,924 S * 7/2019 Riggs D12/196
D856,242 S * 8/2019 Blanski D12/196
D862,339 S * 10/2019 Kezha D12/196
D863,169 S * 10/2019 Whitla D12/196
D865,605 S * 11/2019 Grewer D12/196
D867,949 S * 11/2019 Thurber D12/196
D874,373 S * 2/2020 Kim D12/196

1 Claim, 8 Drawing Sheets



(56)

References Cited

U.S. PATENT DOCUMENTS

D903,563 S * 12/2020 Radbrink D12/196
D904,267 S * 12/2020 Patel D12/196
D915,970 S * 4/2021 Cho D12/196

OTHER PUBLICATIONS

Simari, Michael. "2016 BMW 330e—Instrumented Test." Jul. 8, 2016. Car and Driver. <https://www.caranddriver.com/photos/g15259795/2016-bmw-330e-iperformance-tested-review-gallery/>.*

Beard, David. "2021 BMW 330e Plug-In Hybrid Gains Power and Range." Aug. 15, 2019. Car and Driver. <https://www.caranddriver.com/reviews/a28710134/2021-bmw-330e-drive/>.*

"Sportier and More Efficient than Ever Thanks to the Latest BMW eDrive Technology: The New BMW 330e Sedan Celebrates its Market Launch." Aug. 14, 2019. BMW Press Club. <https://www.press.bmwgroup.com/global/article/detail/T0298940EN/sportier-and-more-efficient-than-ever-thanks-to-the-latest-bmw-edrive-technology:-th>.*

* cited by examiner

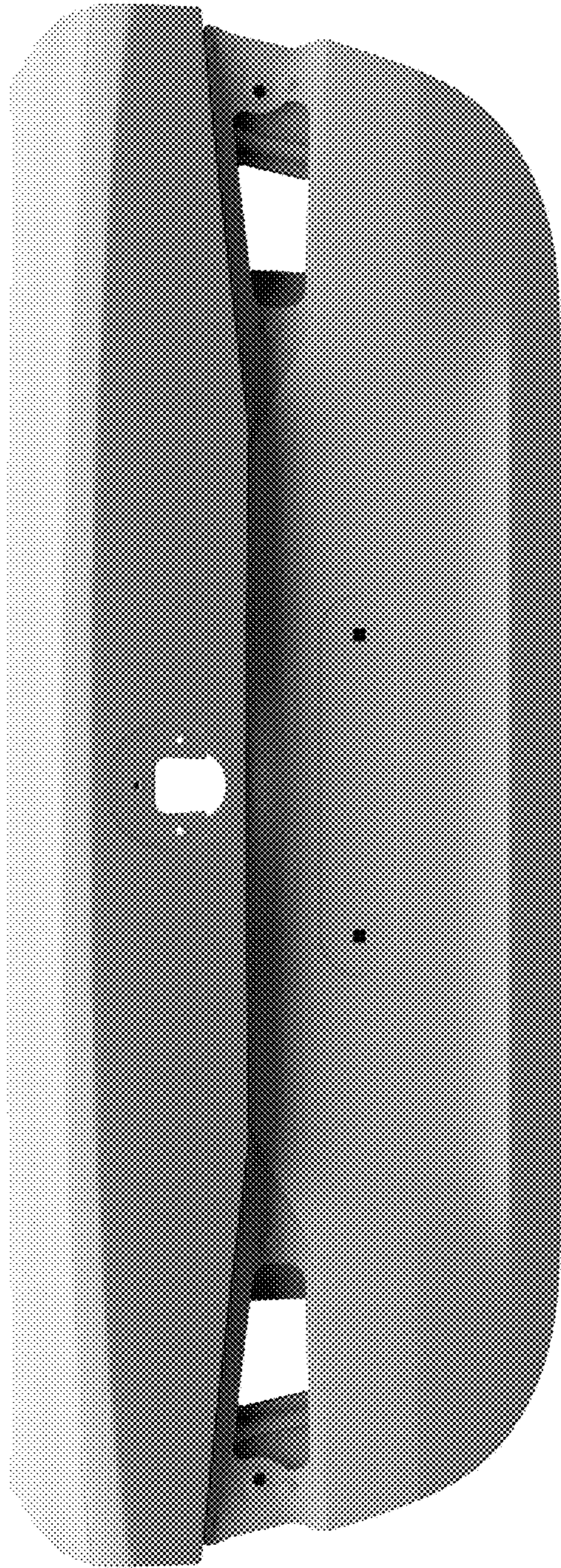


Fig. 1

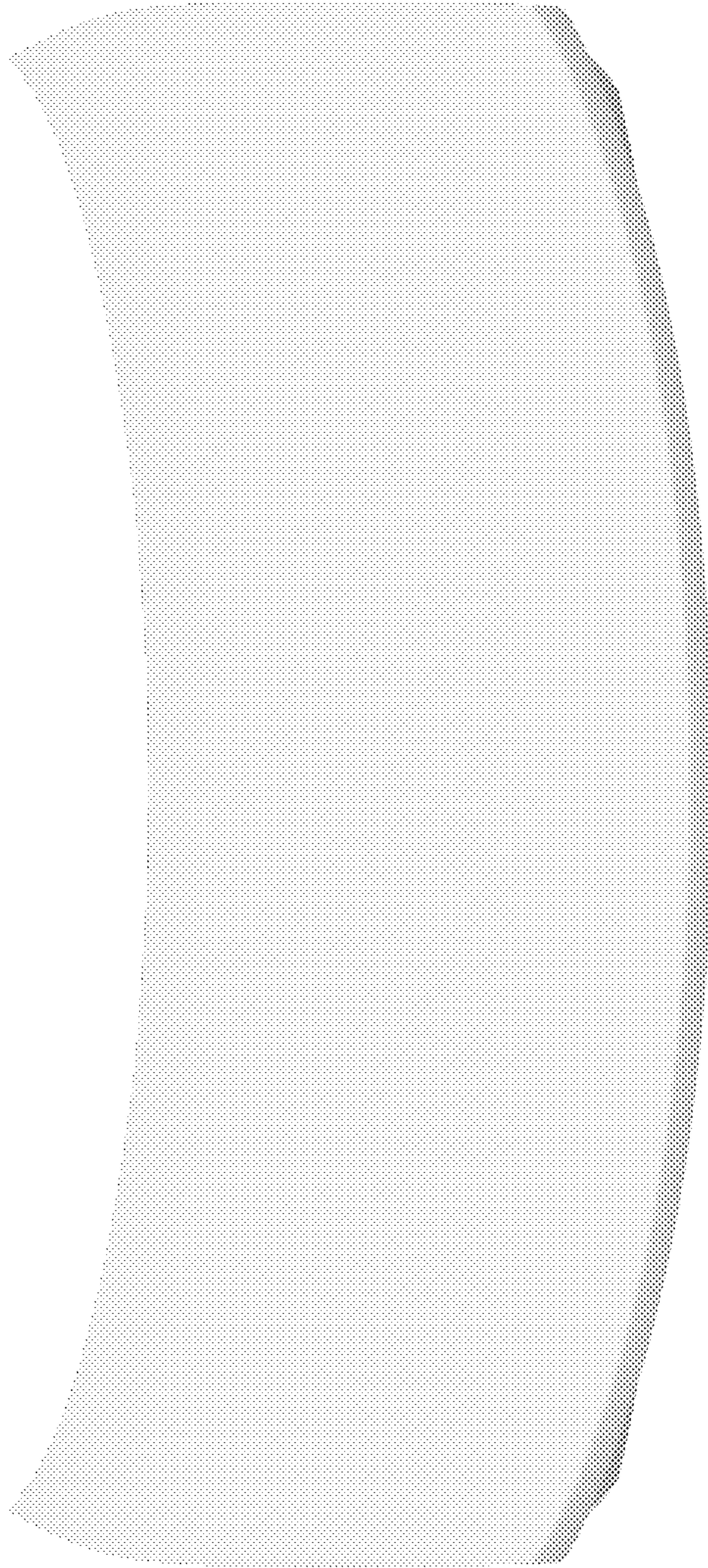


Fig. 2

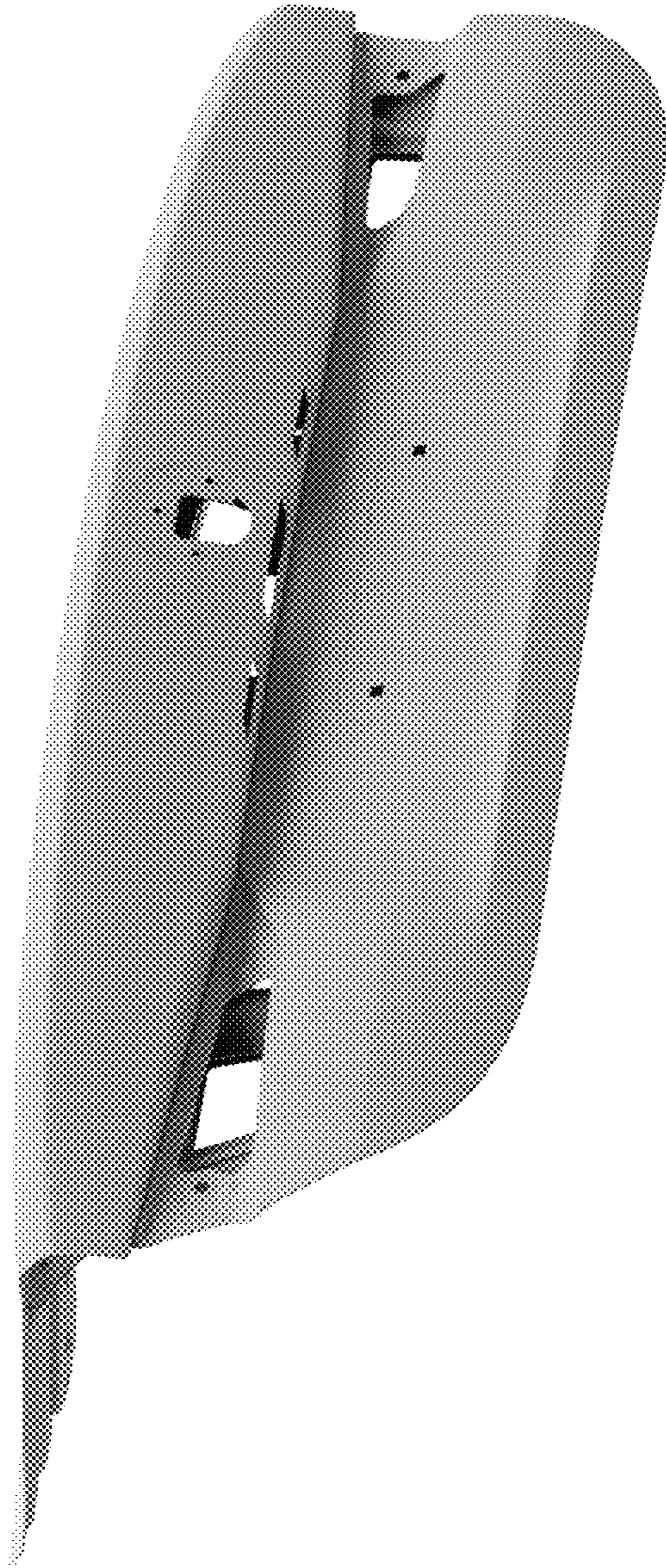


Fig. 3

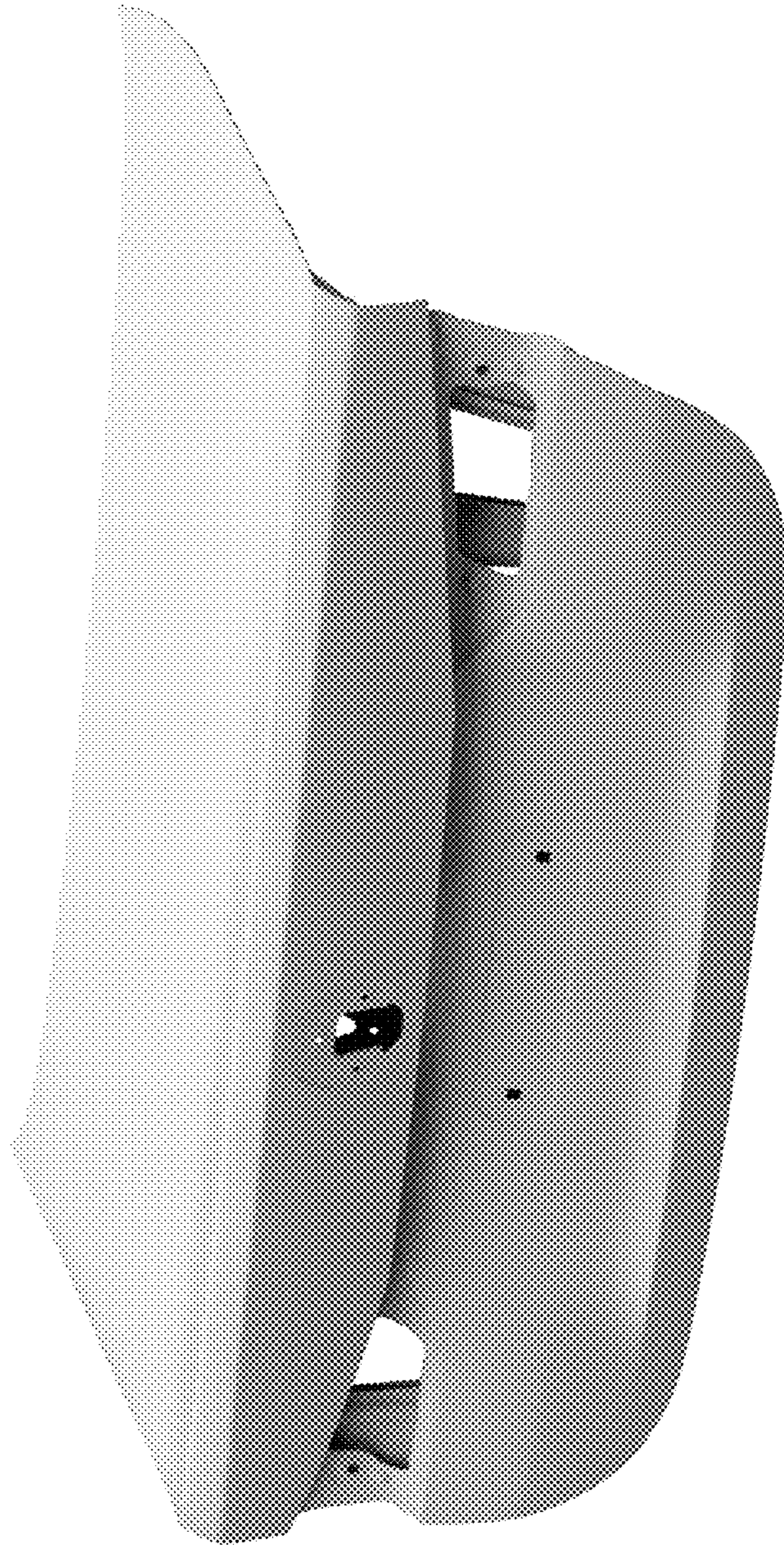


Fig. 4

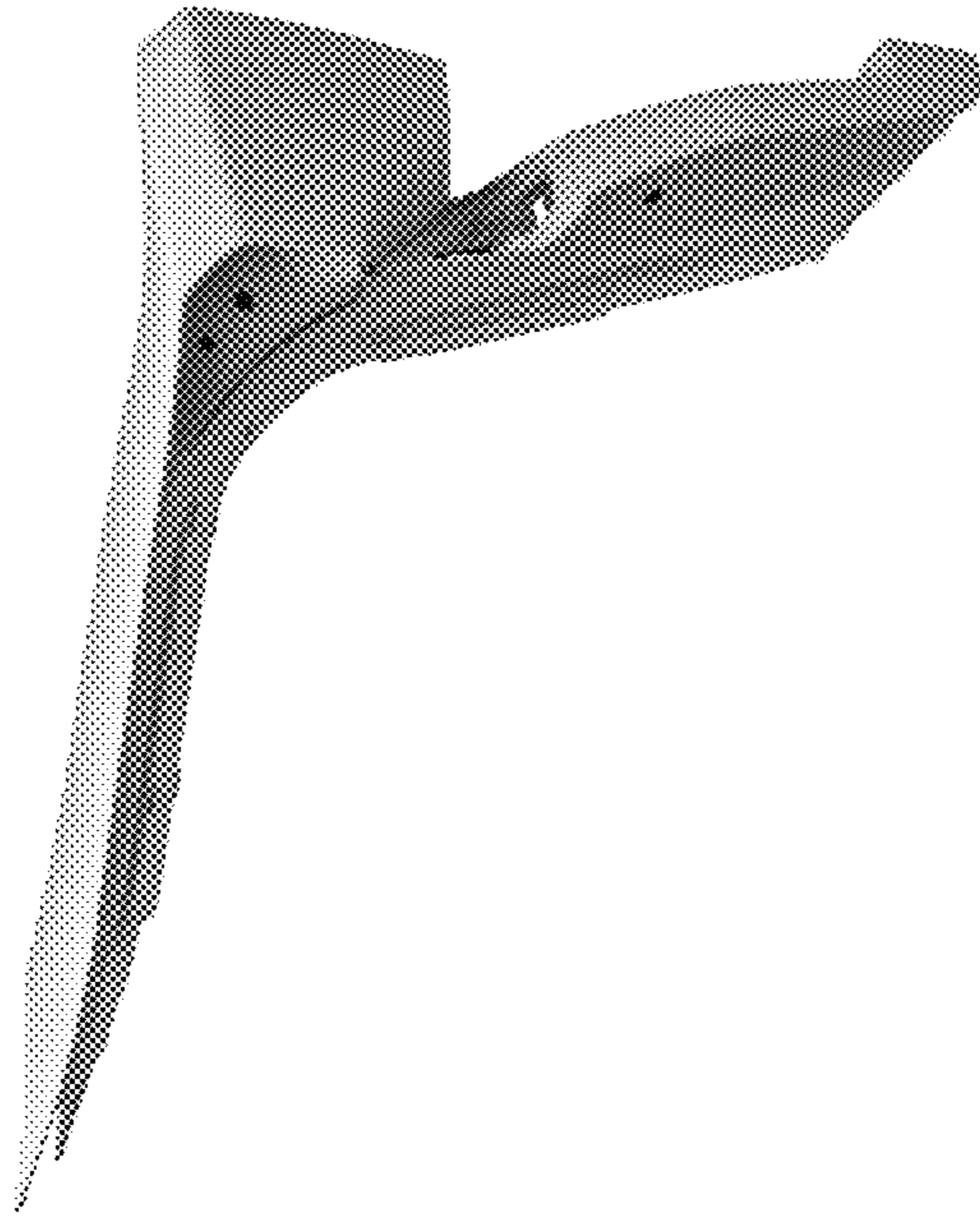


Fig. 5

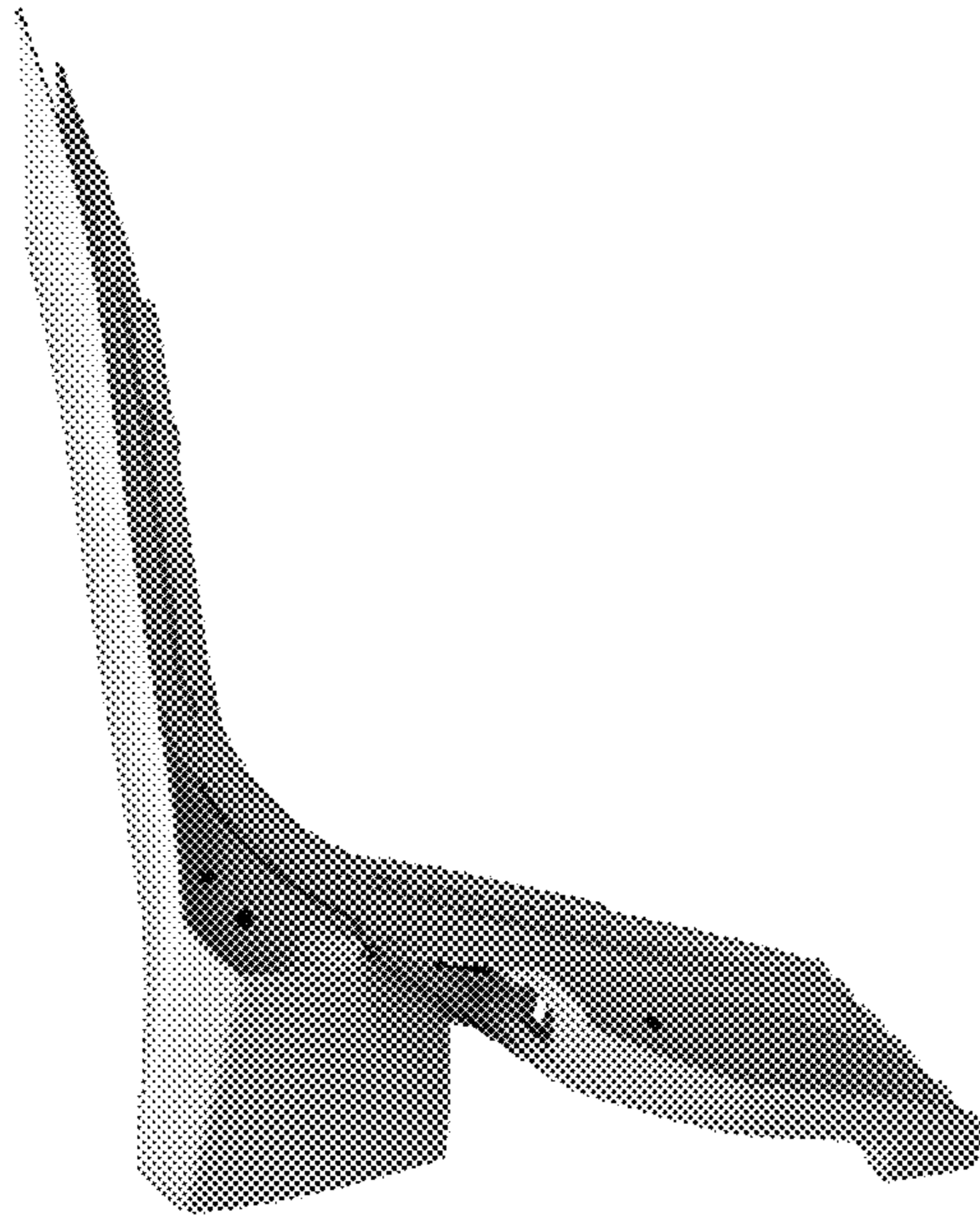


Fig. 6



Fig. 7

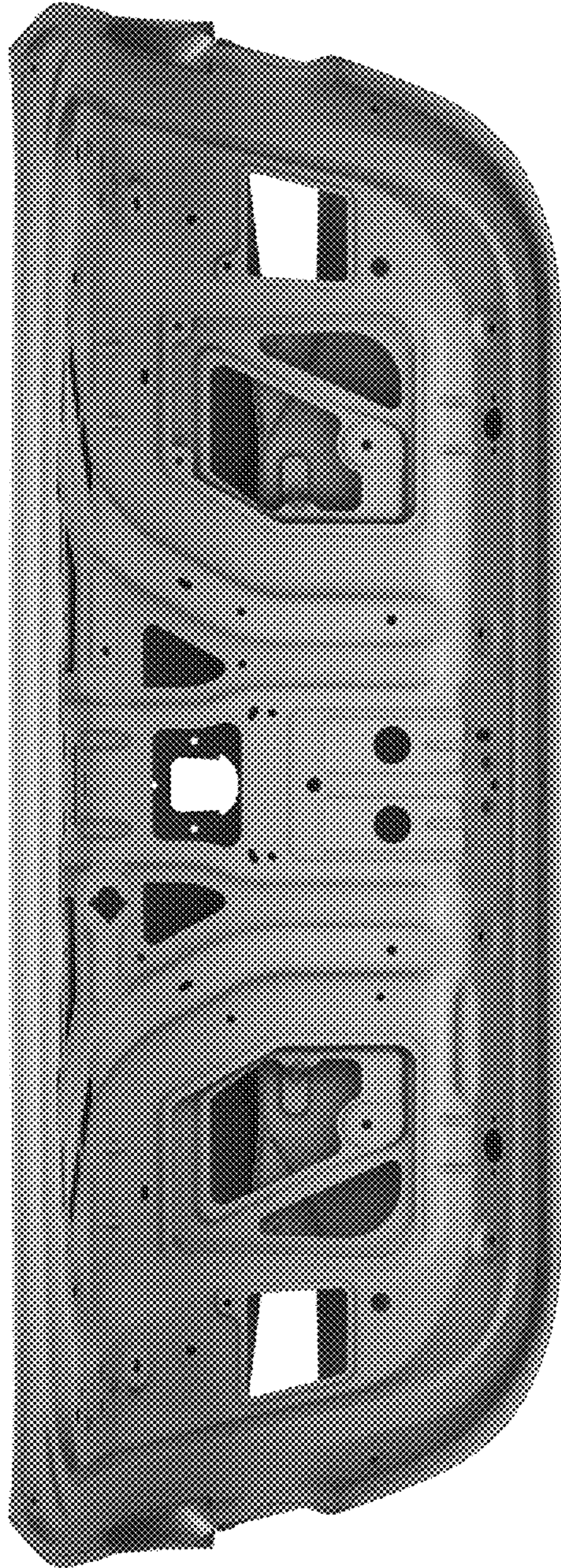


Fig. 8